



US00D719853S

(12) **United States Design Patent**
Manneschi

(10) **Patent No.:** **US D719,853 S**

(45) **Date of Patent:** **** Dec. 23, 2014**

(54) **HAND HELD METAL DETECTOR**

(71) Applicant: **Costruzioni Elettroniche Industriali
Automatismi S.p.A. C.E.I.A. S.p.A.,
Arezzo (IT)**

(72) Inventor: **Alessandro Manneschi, Arezzo (IT)**

(73) Assignee: **Costruzioni Elettroniche Industriali
Automatismi S.p.A. C.E.I.A. S.p.A.,
Arezzo (IT)**

(**) Term: **14 Years**

(21) Appl. No.: **29/462,179**

(22) Filed: **Jul. 31, 2013**

(51) **LOC (10) Cl.** **10-04**

(52) **U.S. Cl.**
USPC **D10/47; D10/103**

(58) **Field of Classification Search**

CPC G01V 3/02; G01V 3/10; G01V 3/15;
G01V 3/104; G01V 3/107

USPC D10/47, 78; 250/336.1, 342, 504 H,
250/504 R; 324/67, 228, 232, 329, 326;
342/22, 52, 53, 459

See application file for complete search history.

(56) **References Cited**

U.S. PATENT DOCUMENTS

D459,245 S * 6/2002 Power D10/47
D459,246 S * 6/2002 Power et al. D10/47

FOREIGN PATENT DOCUMENTS

EM 002283010-0001 7/2013

OTHER PUBLICATIONS

U. S. Appl. No. 29/431,385, titled "Portable Metal Detector" dated Sep. 6, 2012.

* cited by examiner

Primary Examiner — Antoine D Davis

(74) *Attorney, Agent, or Firm* — Stephen J. Weyer; Stites & Harbison PLLC

(57) **CLAIM**

The ornamental design for a hand held metal detector, as shown and described.

DESCRIPTION

FIG. 1 is a front and slightly bottom perspective view of a hand held metal detector showing the new design.

FIG. 2 is a rear and slightly top perspective view thereof.

FIG. 3 is a top and front perspective view thereof.

FIG. 4 is a bottom and rear perspective view thereof.

FIG. 5 is a right side view thereof.

FIG. 6 is left side thereof; and,

FIG. 7 is a front, top and right side perspective view thereof.

It will be noted that light shading lines are provided at locations where a surface transition to a different contour or the like takes place, e.g., from curved in cross section to flat or to a different curvature, as typical of CAD drawings.

As alternative, but unclaimed, embodiments of the design, there also are:

a hand held metal detector with the buttons inside of the containing area disclaimed;

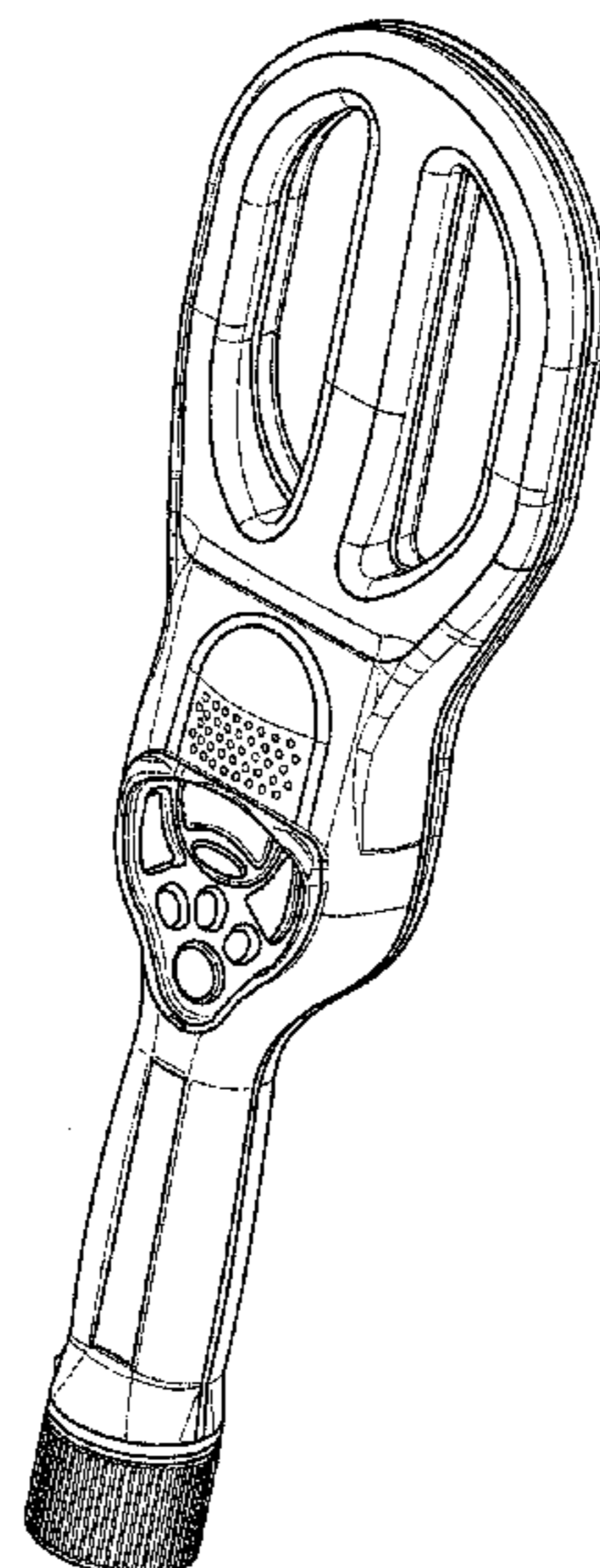
a hand held metal detector with the bottom surface disclaimed;

a hand held metal detector with the fastening members shown as small solid circles surrounded by a circle (see especially FIG. 2) disclaimed;

a hand held metal detector with the speaker holes above the buttons disclaimed; or

any combination of two or more of the above features disclaimed.

1 Claim, 7 Drawing Sheets



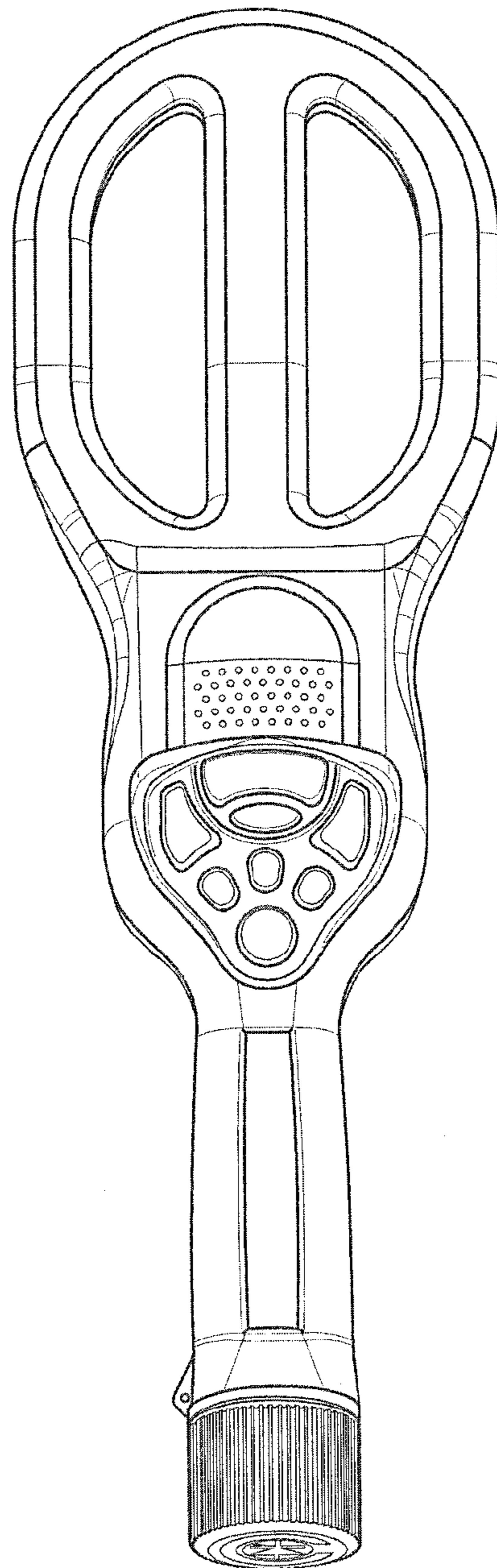


FIG. 1

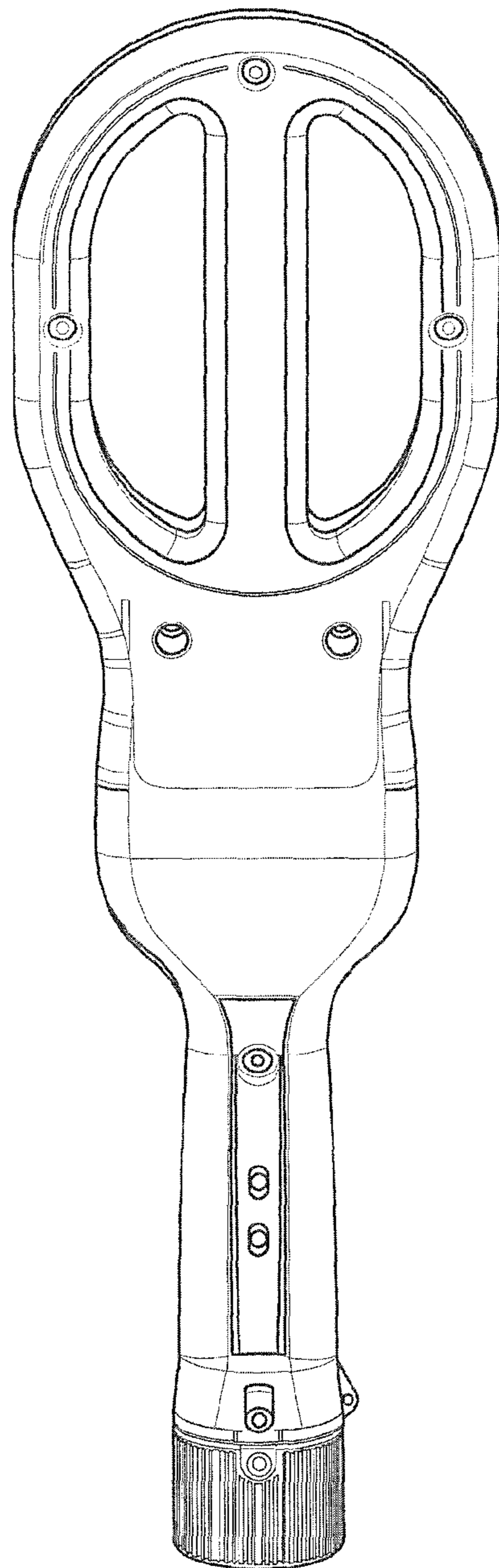


FIG. 2

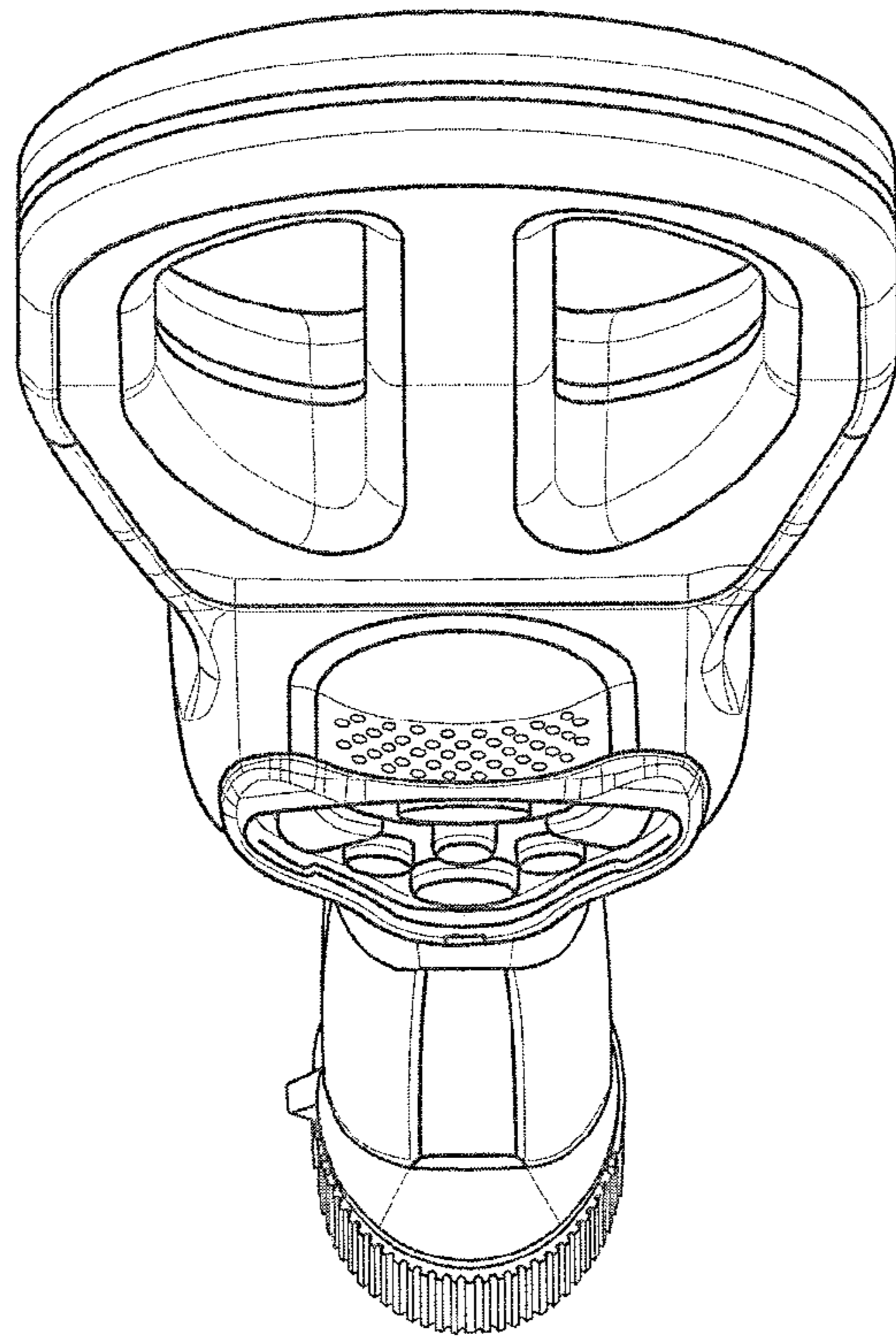


FIG. 3

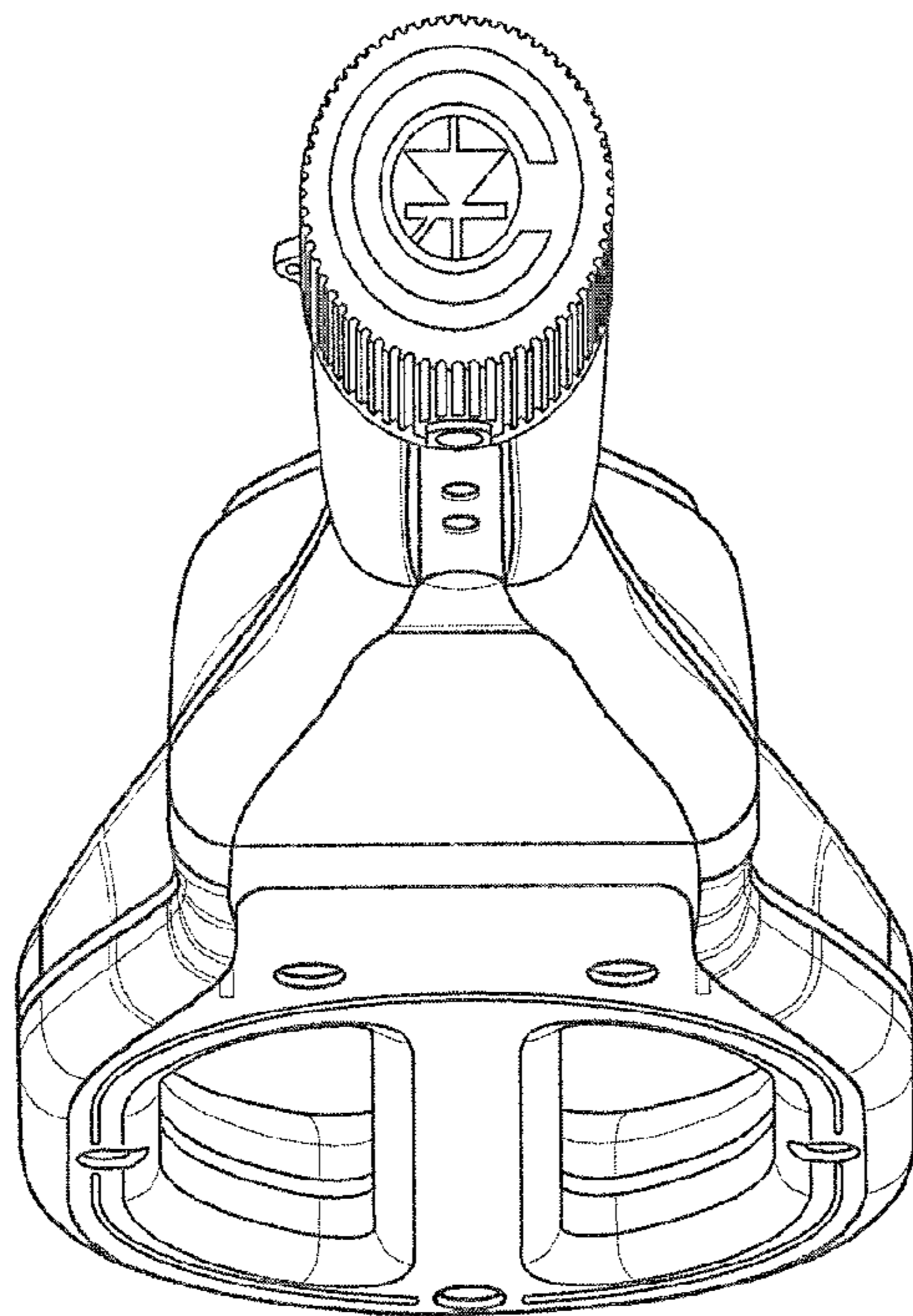


FIG. 4

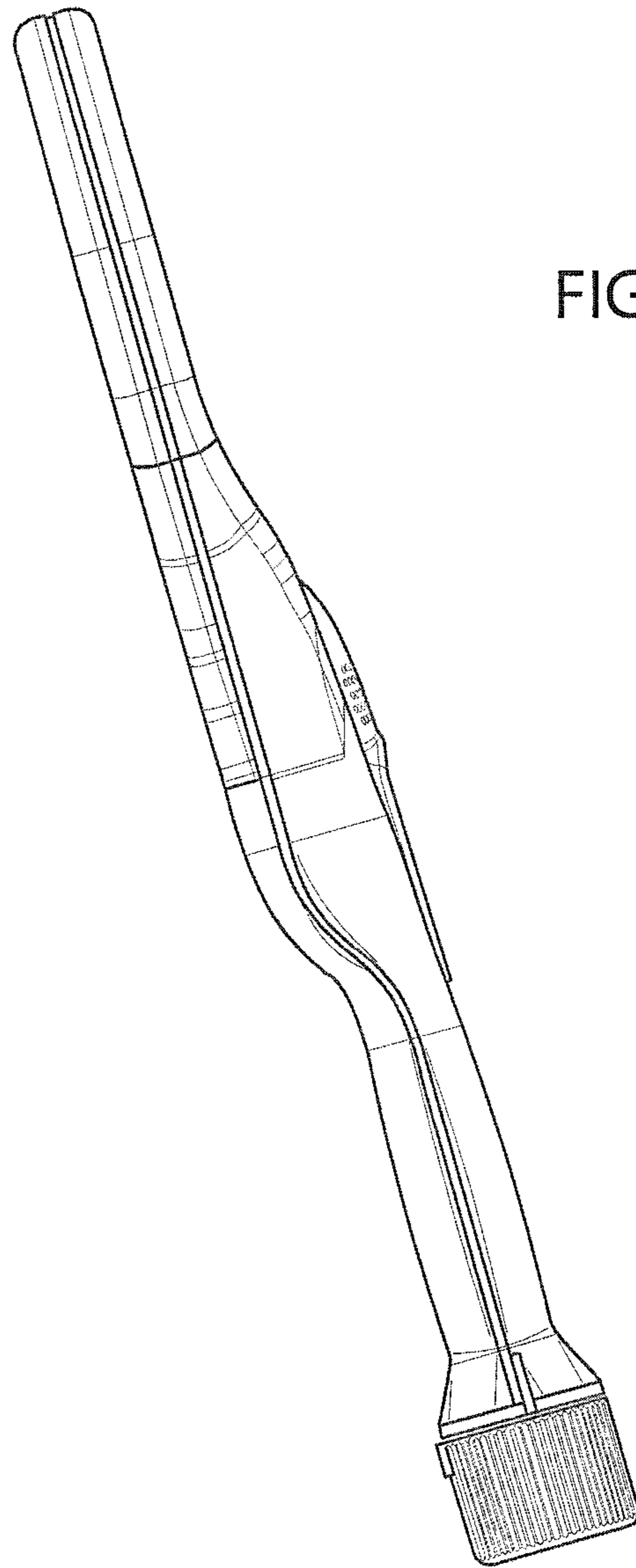
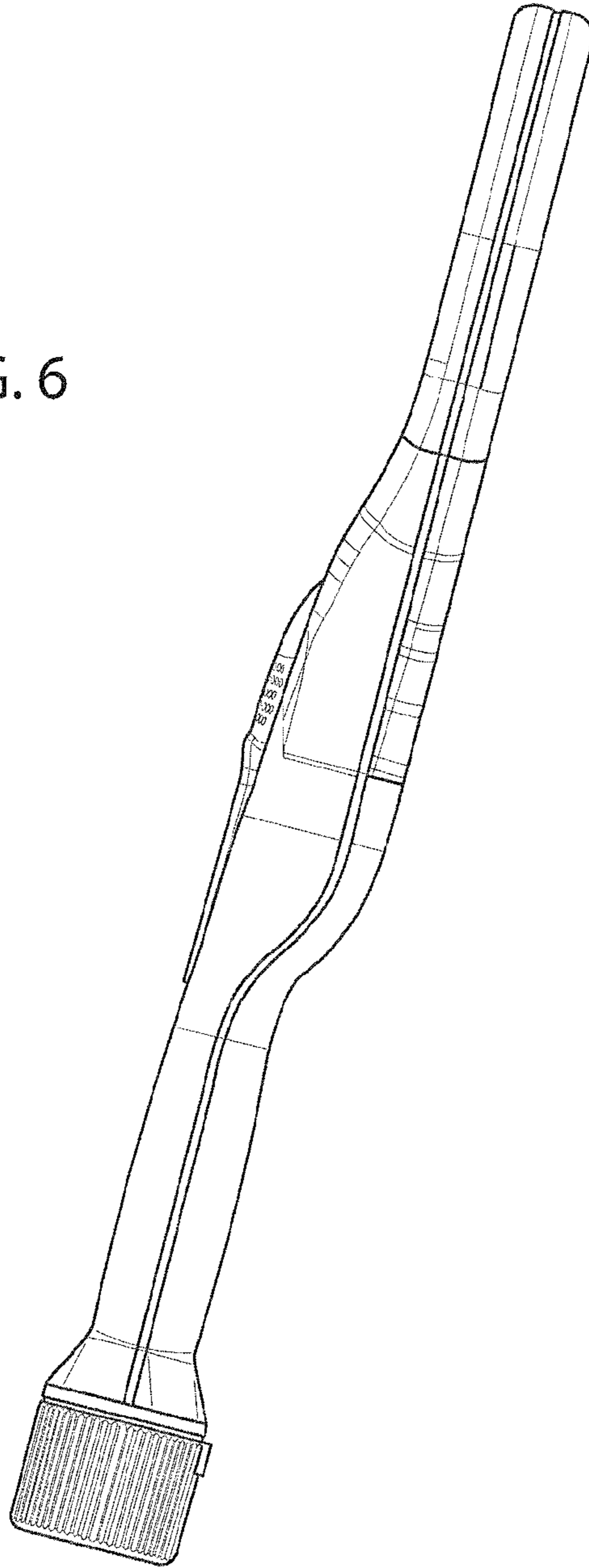


FIG. 5

FIG. 6



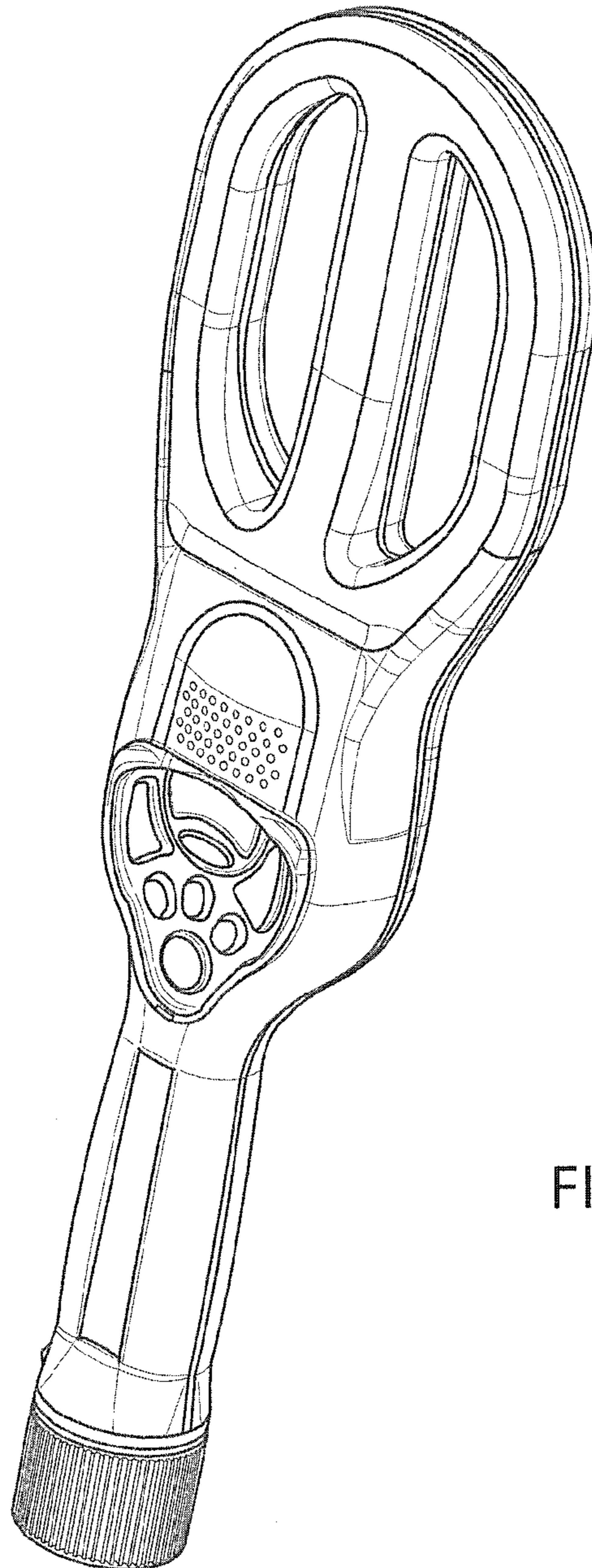


FIG. 7