



US00D719852S

(12) **United States Design Patent**  
**Chandran**

(10) **Patent No.:** **US D719,852 S**

(45) **Date of Patent:** **\*\* Dec. 23, 2014**

(54) **FLUID DELIVERY DEVICE**

(71) Applicants: **Robert Bosch Tool Corporation**,  
Broadview, IL (US); **Robert Bosch**  
**GmbH**, Stuttgart (DE)

(72) Inventor: **Anand Chandran**, Dunlap, IL (US)

(73) Assignee: **Robert Bosch GmbH**, Stuttgart (DE)

(\*\*) Term: **14 Years**

(21) Appl. No.: **29/434,641**

(22) Filed: **Oct. 15, 2012**

(51) **LOC (10) Cl.** ..... **10-03**

(52) **U.S. Cl.**  
USPC ..... **D10/40**

(58) **Field of Classification Search**  
CPC ..... F16K 31/48; F16K 31/02  
USPC ..... D10/40; D13/162; D14/128, 218;  
D23/245, 246; D24/107, 108, 111,  
D24/169, 186, 129; 128/DIG. 12, DIG. 13;  
137/624.11–624.16; 239/67–70;  
604/67, 151–155, 246, 248;  
700/282–284

See application file for complete search history.

(56) **References Cited**

**U.S. PATENT DOCUMENTS**

3,640,388 A \* 2/1972 Ferrari ..... 210/94  
4,432,763 A \* 2/1984 Manschot et al. .... 604/262  
D348,730 S \* 7/1994 Walker et al. .... D24/111

6,719,010 B1 \* 4/2004 Yi-Chang ..... 137/624.11  
7,814,901 B2 \* 10/2010 Lieberman et al. .... 128/200.16  
D642,077 S \* 7/2011 Nies et al. .... D10/40  
D657,264 S \* 4/2012 Nies et al. .... D10/40  
2004/0249350 A1 \* 12/2004 Rani ..... 604/251

\* cited by examiner

*Primary Examiner* — Ian Simmons

*Assistant Examiner* — Richelle G Shelton

(74) *Attorney, Agent, or Firm* — Maginot Moore & Beck  
LLP

(57) **CLAIM**

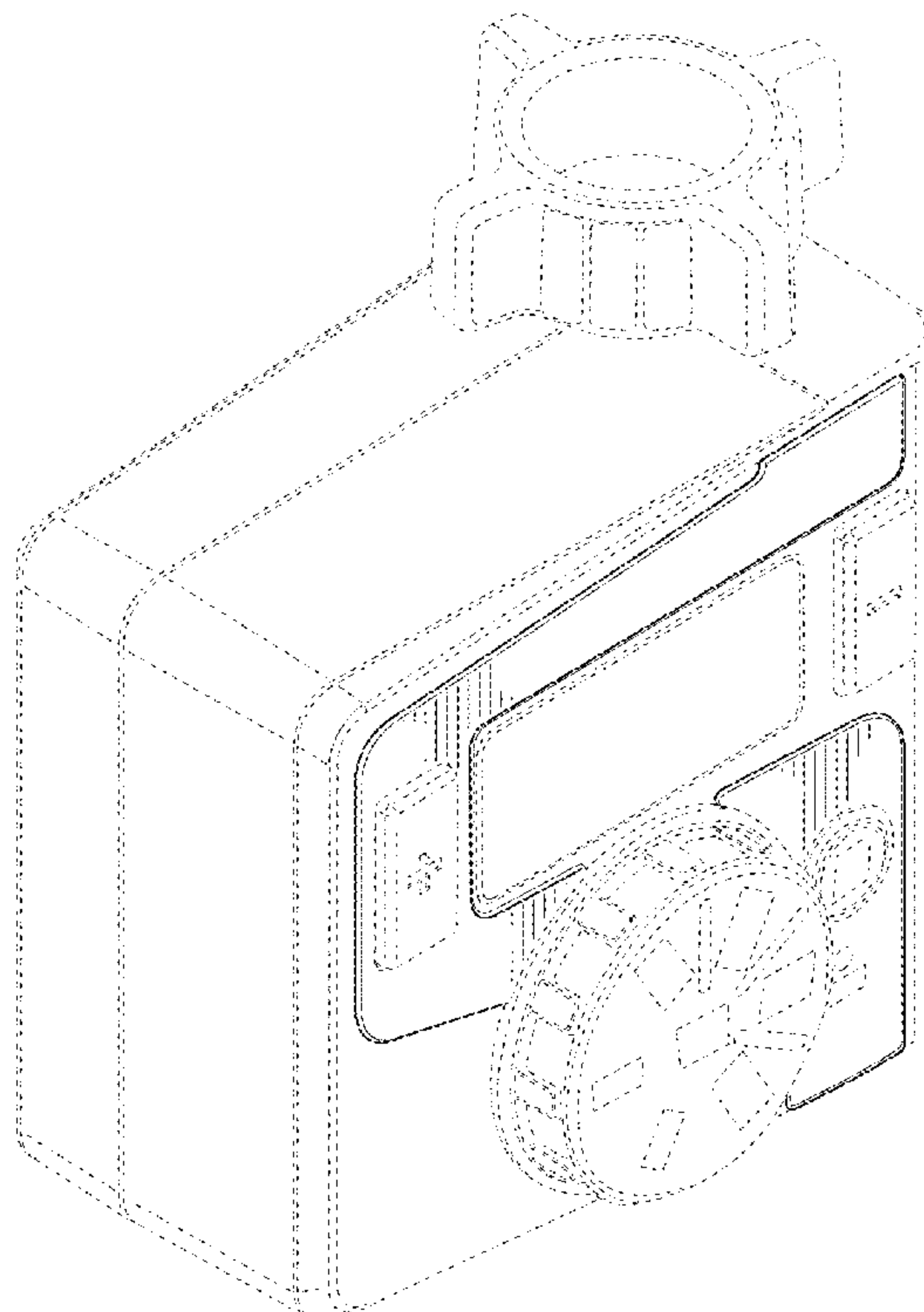
The ornamental design for a fluid delivery device, as shown  
and described.

**DESCRIPTION**

FIG. 1 is a left front perspective view of a fluid delivery device  
showing my new design;  
FIG. 2 is a front elevational view showing the design for the  
fluid delivery device of FIG. 1;  
FIG. 3 is a left side elevational view showing the design for  
the fluid delivery device of FIG. 1;  
FIG. 4 is a right side elevational view showing the design for  
the fluid delivery device of FIG. 1;  
FIG. 5 is a top plan view showing the design for the fluid  
delivery device of FIG. 1; and,  
FIG. 6 is a bottom plan view showing the design for the fluid  
delivery device of FIG. 1.

The broken line showing and the areas within illustrate por-  
tions of the fluid delivery device that form no part of the  
claimed design.

**1 Claim, 6 Drawing Sheets**



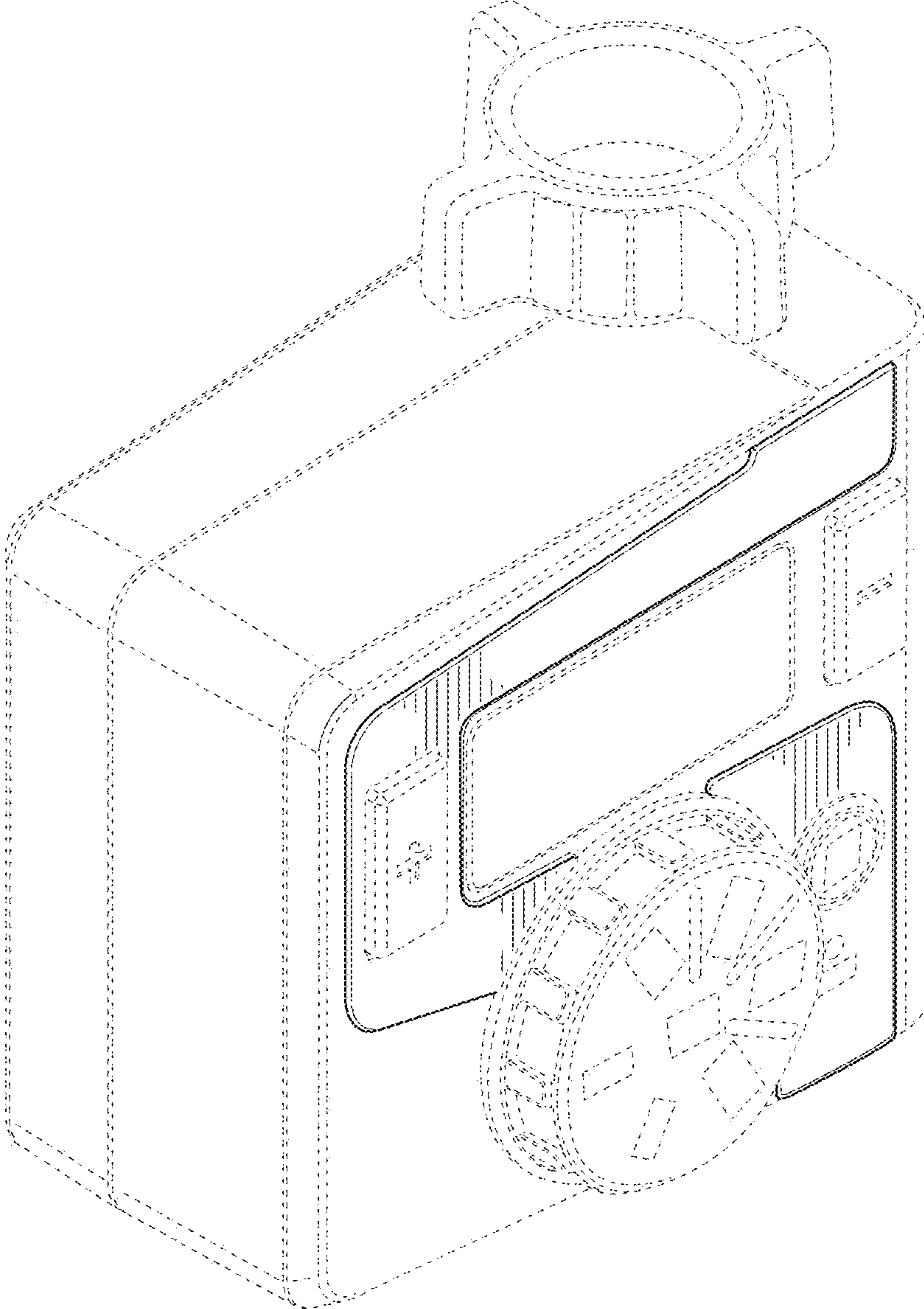


FIG. 1

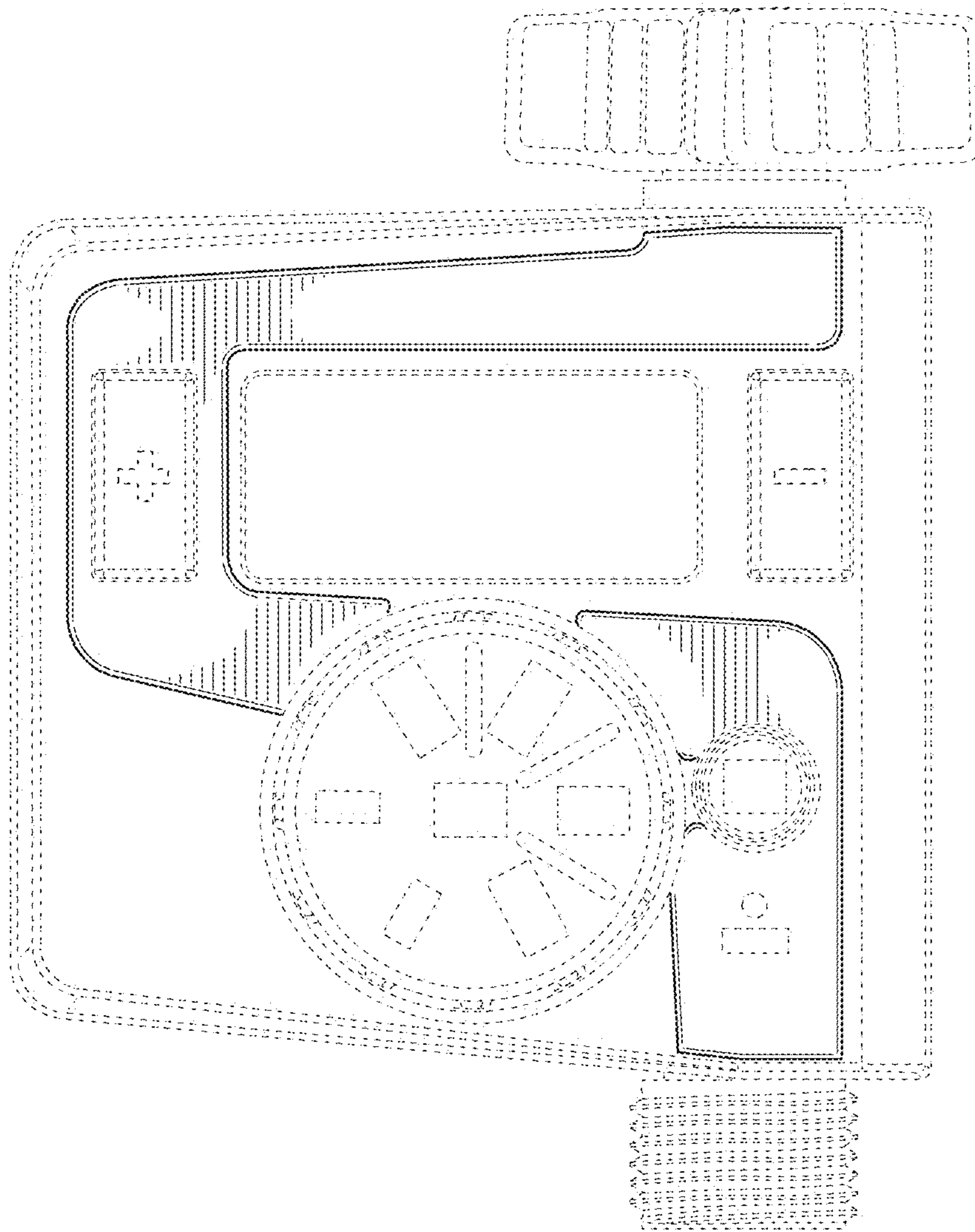


FIG. 2

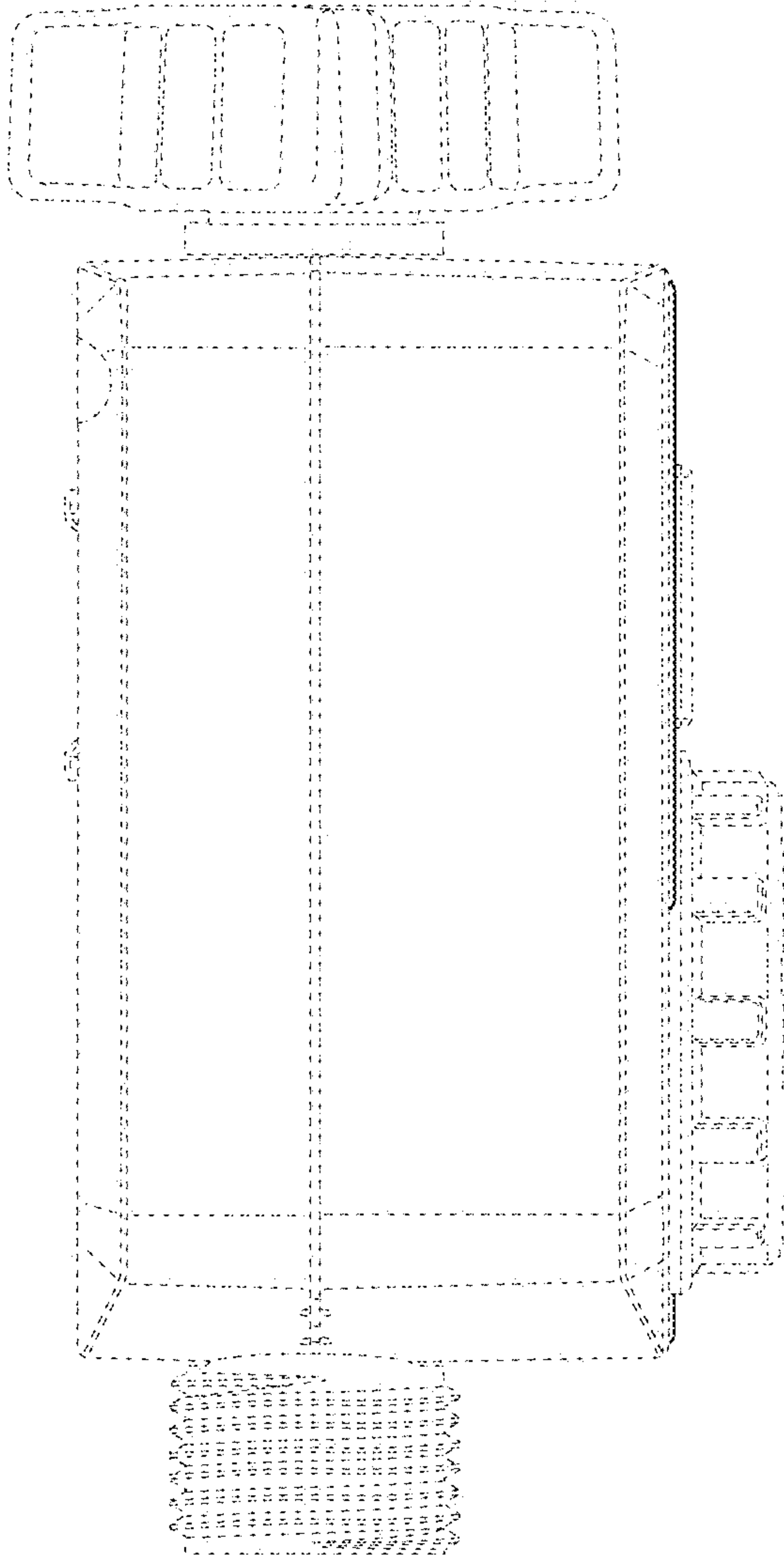


FIG. 3

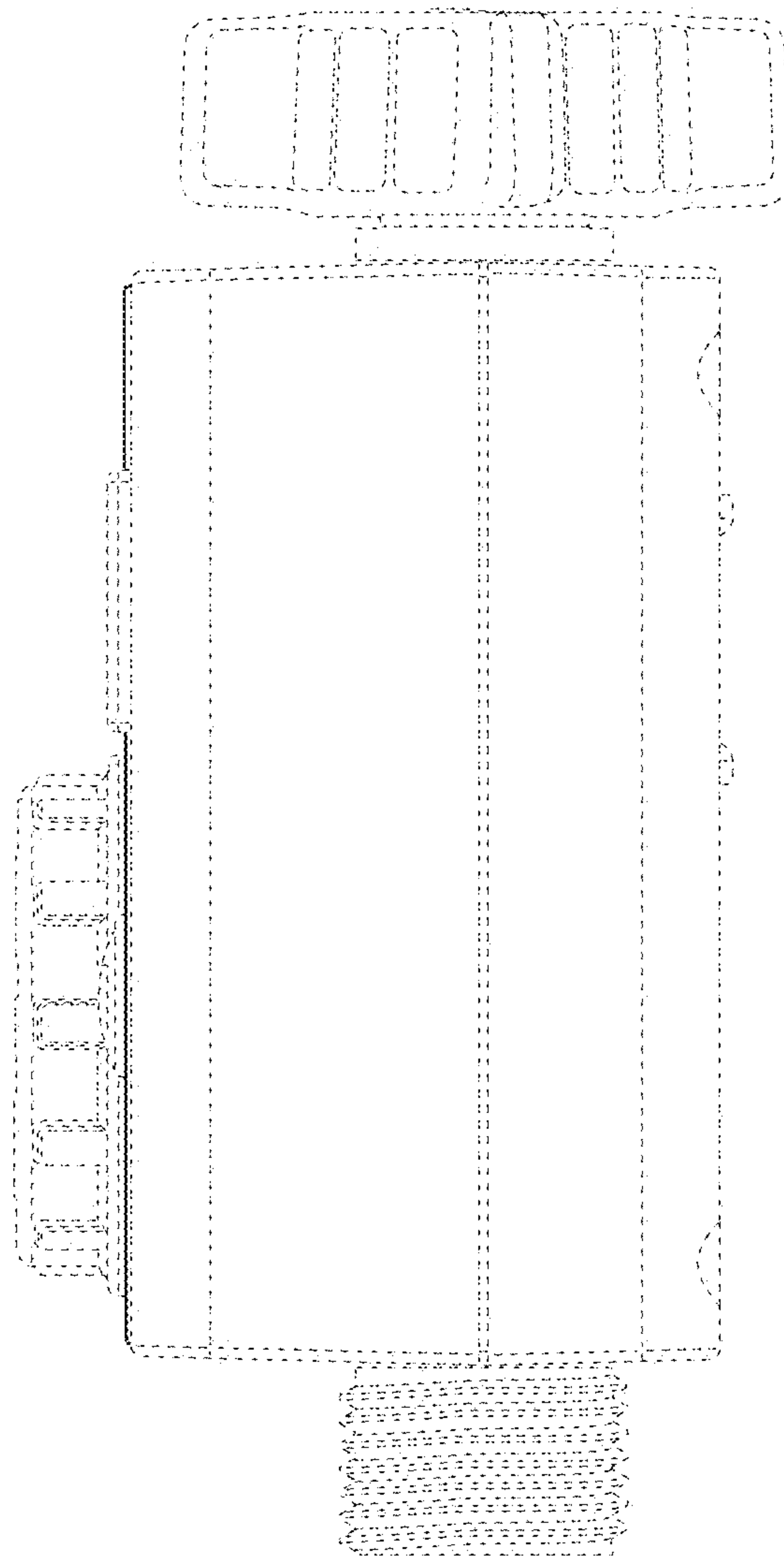
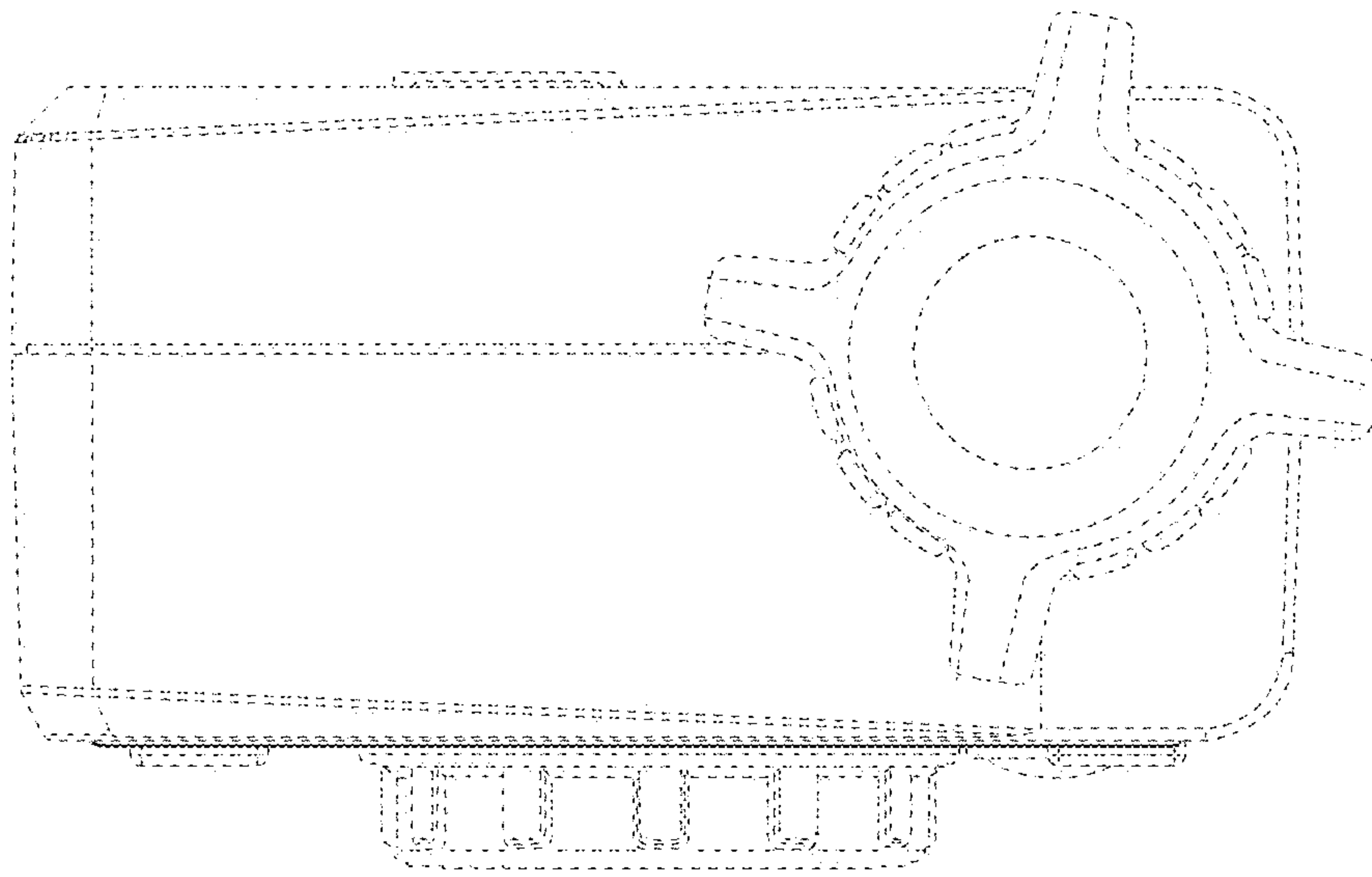


FIG. 4





**FIG. 5**

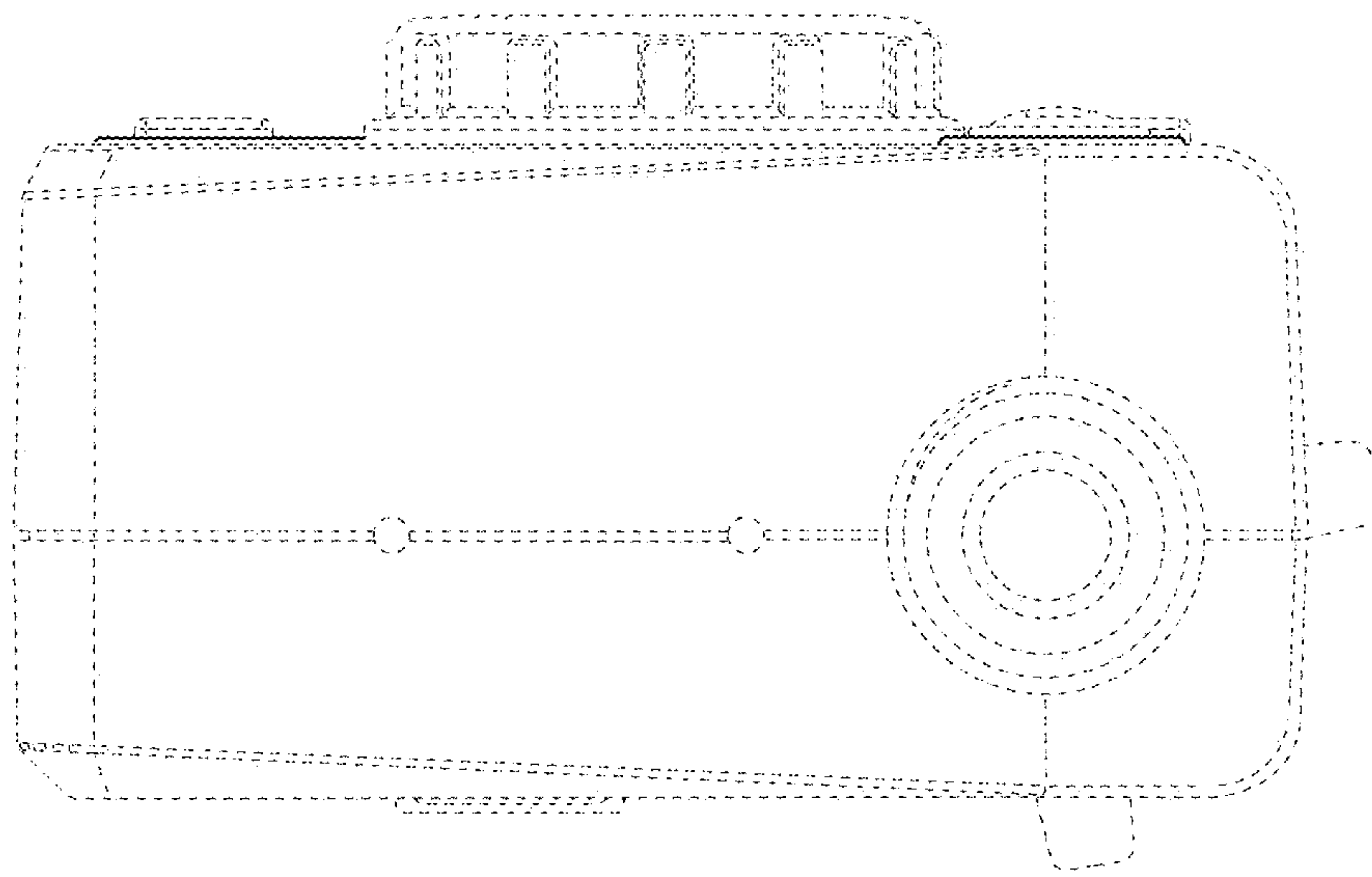


FIG. 6