



US00D719851S

(12) **United States Design Patent**  
**Goodman et al.**

(10) **Patent No.:** **US D719,851 S**  
(45) **Date of Patent:** **\*\* Dec. 23, 2014**

(54) **WATCH**

(75) Inventors: **Chris Goodman**, Ladera Ranch, CA  
(US); **Hans Moritz**, Foothill Ranch, CA  
(US)

(73) Assignee: **Oakley, Inc.**, Foothill Ranch, CA (US)

(\*\*) Term: **14 Years**

(21) Appl. No.: **29/387,695**

(22) Filed: **Mar. 16, 2011**

(51) **LOC (10) Cl.** ..... **10-02**

(52) **U.S. Cl.**  
USPC ..... **D10/38**

(58) **Field of Classification Search**  
USPC ..... D10/30-39; D11/3, 12; 368/276, 281,  
368/282  
See application file for complete search history.

(56) **References Cited**

**U.S. PATENT DOCUMENTS**

892,965	A *	7/1908	Sevcik	.....	474/224
1,598,250	A *	8/1926	Person	.....	59/80
2,143,703	A	12/1937	Kestenman		
2,954,665	A	10/1960	Panerai et al.		
D224,602	S	8/1972	Poon		
D246,830	S	1/1978	Lossini		
D247,103	S	1/1978	Lossini		
D279,172	S *	6/1985	Hysek	.....	D10/32
D294,683	S *	3/1988	Perrin	.....	D10/32
D294,806	S *	3/1988	Perrin	.....	D10/32
D295,841	S	5/1988	Kano		
D301,986	S *	7/1989	Hysek	.....	D10/32
D303,504	S *	9/1989	Hysek	.....	D10/32
D318,237	S *	7/1991	Hysek	.....	D10/32
D320,946	S *	10/1991	Crocco	.....	D10/32
D350,072	S *	8/1994	Hitter	.....	D10/32

D353,340	S *	12/1994	Burgener	.....	D10/32
D354,919	S *	1/1995	Wunderman	.....	D10/32
D361,285	S *	8/1995	Bulgari	.....	D10/39
D362,192	S *	9/1995	Hitter	.....	D10/32
D365,767	S *	1/1996	Hitter	.....	D10/32
D377,150	S *	1/1997	Hartzband	.....	D10/32
D378,062	S *	2/1997	Bulgari	.....	D10/32
D378,063	S *	2/1997	Bulgari	.....	D10/32
D383,083	S	9/1997	Ludvig		
D392,902	S	3/1998	Mouawad		
D401,513	S *	11/1998	Coquerel	.....	D10/39
D410,853	S *	6/1999	Bulgari	.....	D10/32

(Continued)

**OTHER PUBLICATIONS**

U.S. Appl. No. 29/314,126, filed Mar. 4, 2009, Goodman.

(Continued)

*Primary Examiner* — Lucy Lieberman

(74) *Attorney, Agent, or Firm* — Knobbe Martens Olson & Bear, LLP

(57) **CLAIM**

The ornamental design for a watch, as shown and described.

**DESCRIPTION**

FIG. 1 is a front perspective view of a watch of the present invention;

FIG. 2 is a front elevational view of the watch of FIG. 1;

FIG. 3 is a rear elevational view of the watch of FIG. 1;

FIG. 4 is a right side elevational view of the watch of FIG. 1;

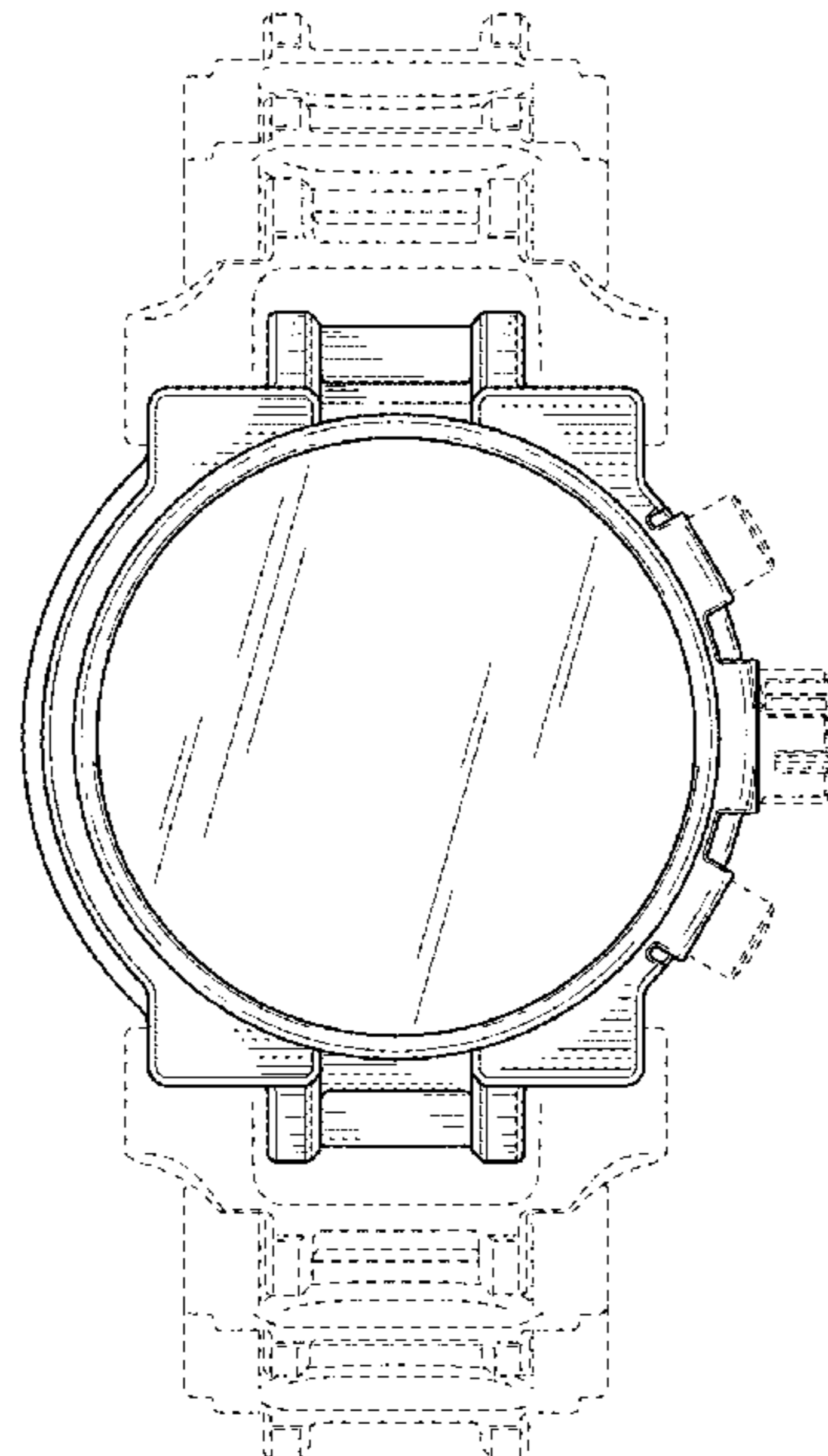
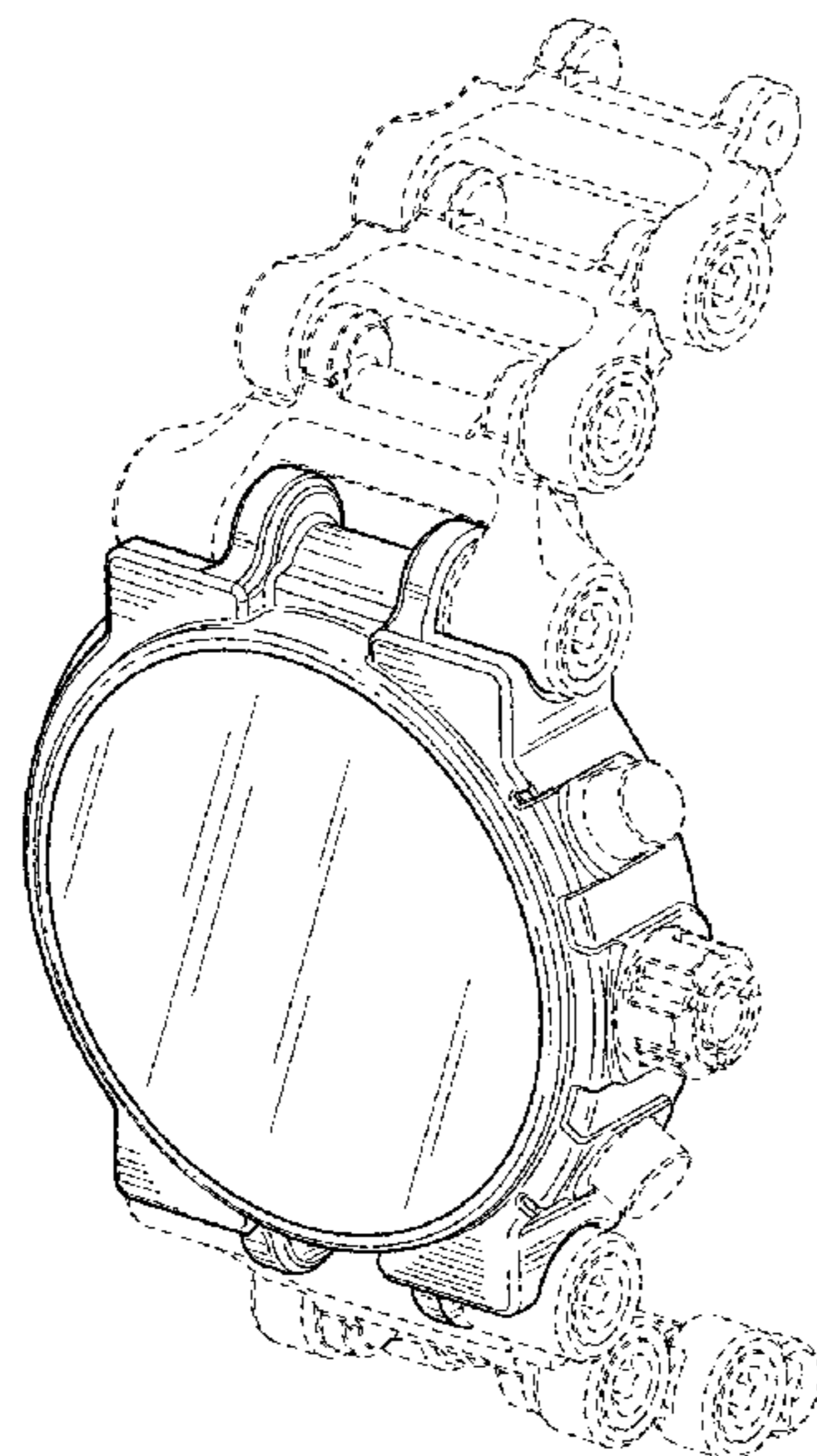
FIG. 5 is a left side elevational view of the watch of FIG. 1;

FIG. 6 is a top plan view of the watch of FIG. 1; and,

FIG. 7 is a bottom plan view of the watch of FIG. 1.

The broken lines are for illustrative purposes only and form no part of the claimed design.

**1 Claim, 4 Drawing Sheets**



(56)

References Cited

U.S. PATENT DOCUMENTS

D413,273 S \* 8/1999 Hartzband ..... D10/32  
 D415,432 S \* 10/1999 Cattin ..... D10/30  
 D416,815 S \* 11/1999 Hartzband ..... D10/32  
 D425,799 S \* 5/2000 Hysek ..... D10/32  
 D430,042 S \* 8/2000 Schopfer ..... D10/32  
 D431,475 S 10/2000 Rabassa  
 D438,813 S 3/2001 Yellen  
 6,200,019 B1 3/2001 Latini  
 D440,887 S \* 4/2001 Tripet ..... D10/32  
 D443,833 S \* 6/2001 Lepeu et al. .... D10/32  
 D443,843 S \* 6/2001 Schopfer ..... D11/3  
 D444,075 S \* 6/2001 Lepeu et al. .... D10/32  
 D444,078 S \* 6/2001 Strasser ..... D10/39  
 D447,063 S 8/2001 Scheufele  
 D447,065 S \* 8/2001 Baumann ..... D10/39  
 D452,175 S 12/2001 Finazzi  
 D460,698 S \* 7/2002 Jamin ..... D10/32  
 D486,404 S \* 2/2004 Shriqui ..... D10/32  
 D519,854 S 5/2006 Modolo  
 D535,199 S \* 1/2007 Lassigne ..... D10/32

D536,627 S 2/2007 Behling  
 D556,604 S 12/2007 Yee et al.  
 D557,619 S 12/2007 Moritz  
 D563,802 S 3/2008 Loth  
 D569,741 S \* 5/2008 Satou et al. .... D10/39  
 D574,263 S 8/2008 Loth  
 D574,734 S 8/2008 Loth  
 D579,790 S 11/2008 Yee et al.  
 D585,308 S 1/2009 Loth  
 D585,768 S 2/2009 Loth  
 D586,238 S 2/2009 Loth  
 D590,728 S 4/2009 Moritz  
 D595,156 S 6/2009 Yee  
 D598,301 S 8/2009 Moritz  
 D598,302 S 8/2009 Moritz  
 D600,572 S 9/2009 Yee  
 D610,473 S \* 2/2010 Goodman ..... D10/38  
 D622,619 S 8/2010 Goodman

OTHER PUBLICATIONS

U.S. Appl. No. 29/314,424, filed Jul. 3, 2009, Goodman.

\* cited by examiner

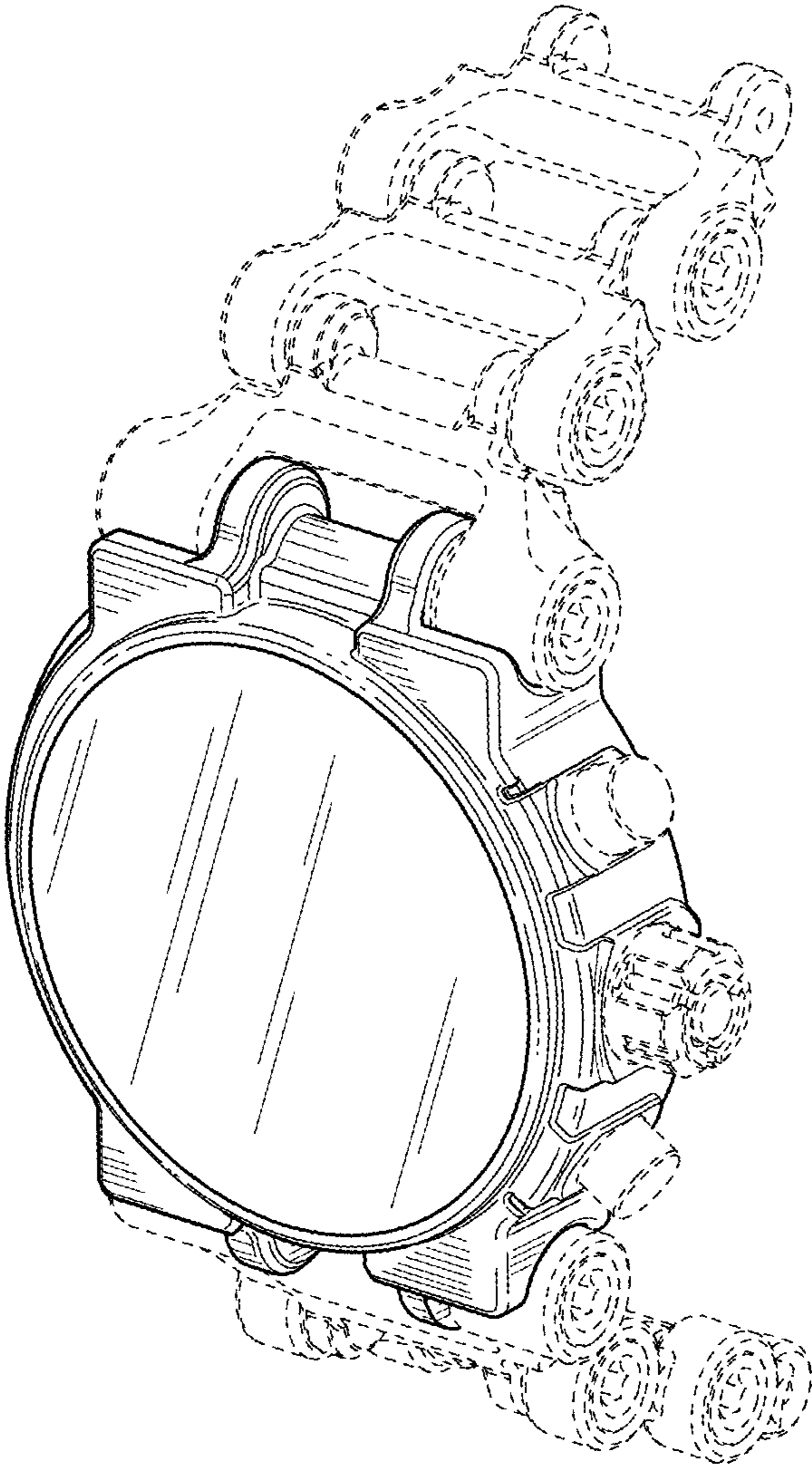


FIG. 1



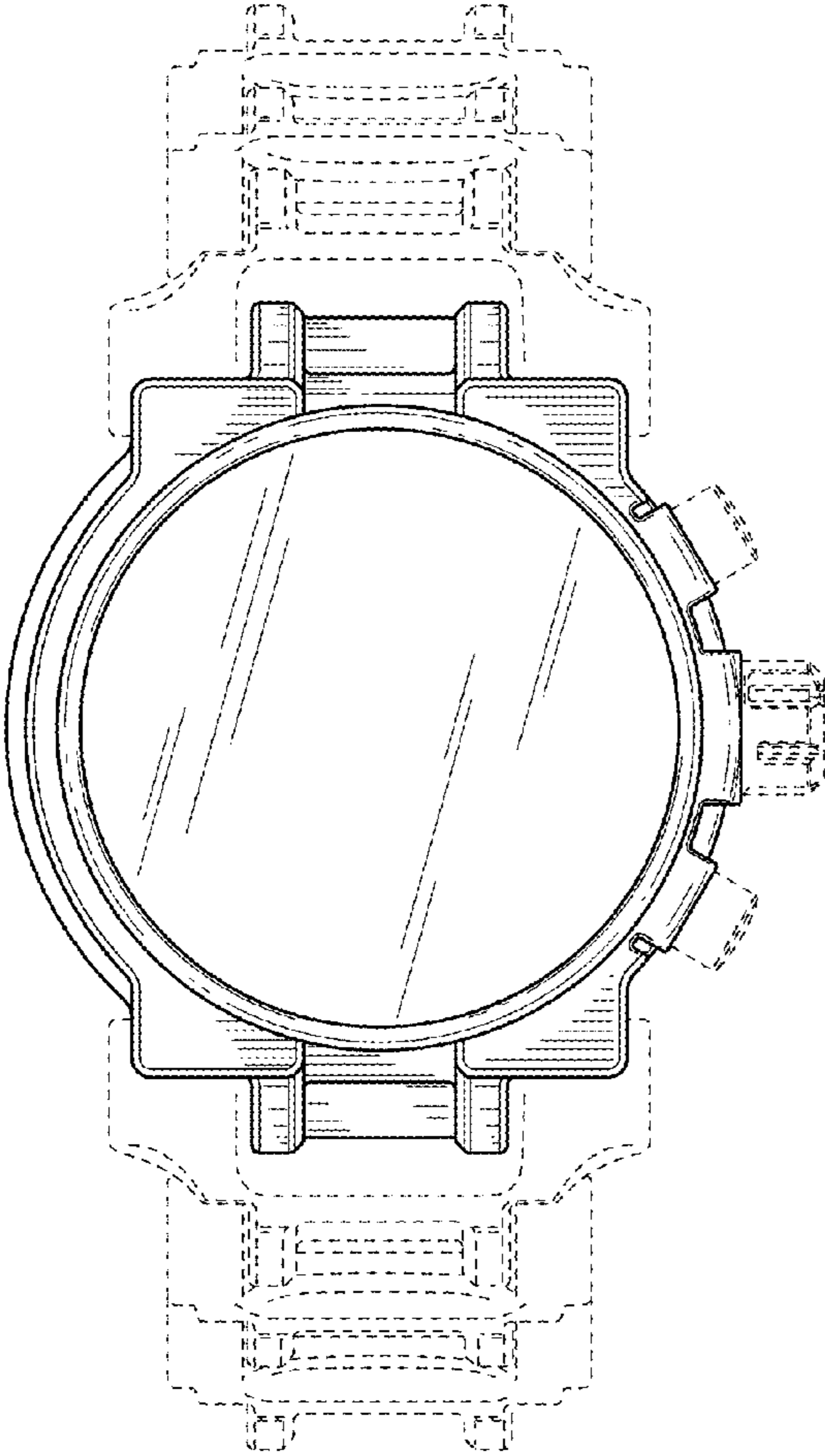


FIG. 2

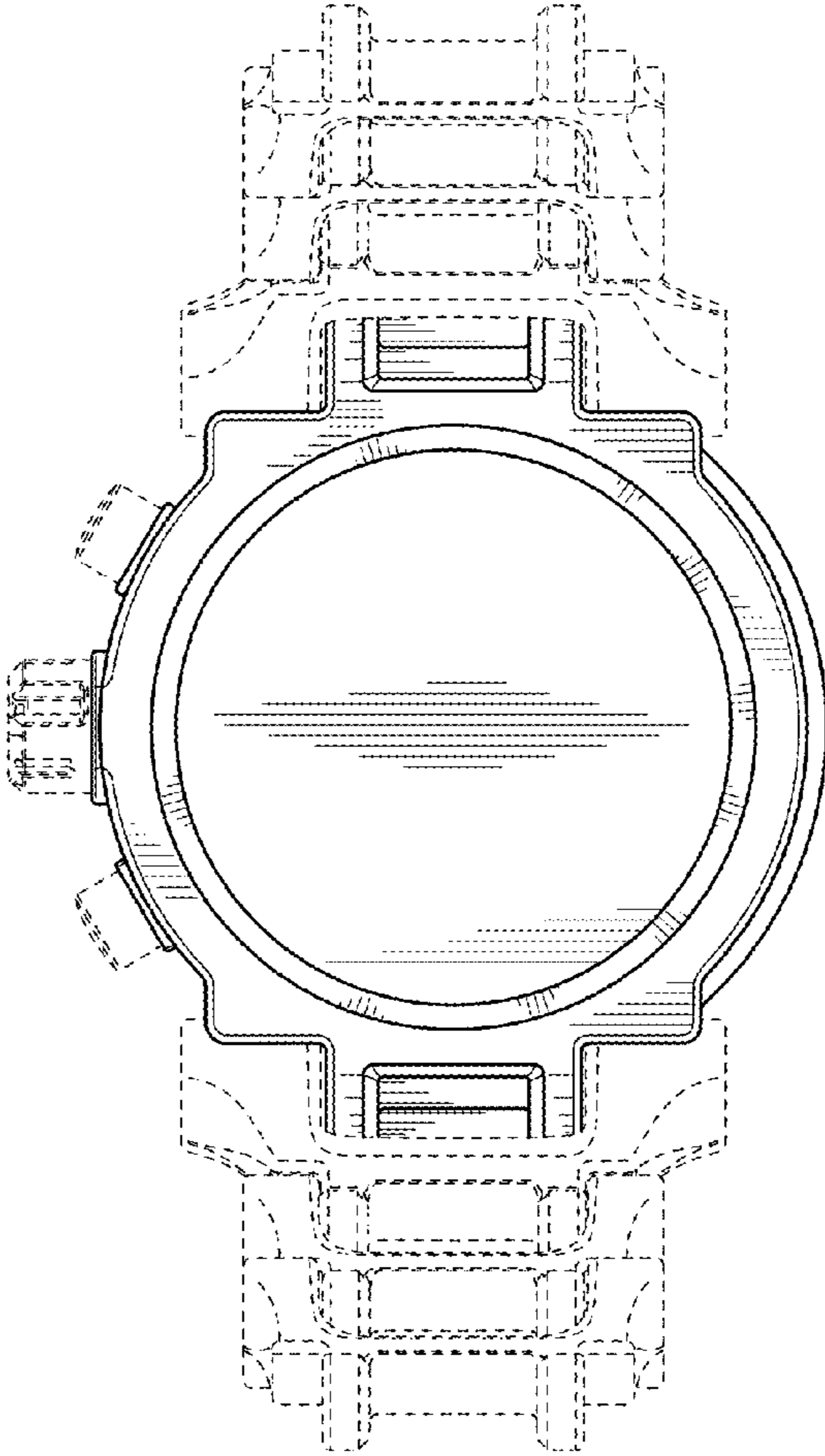


FIG. 3

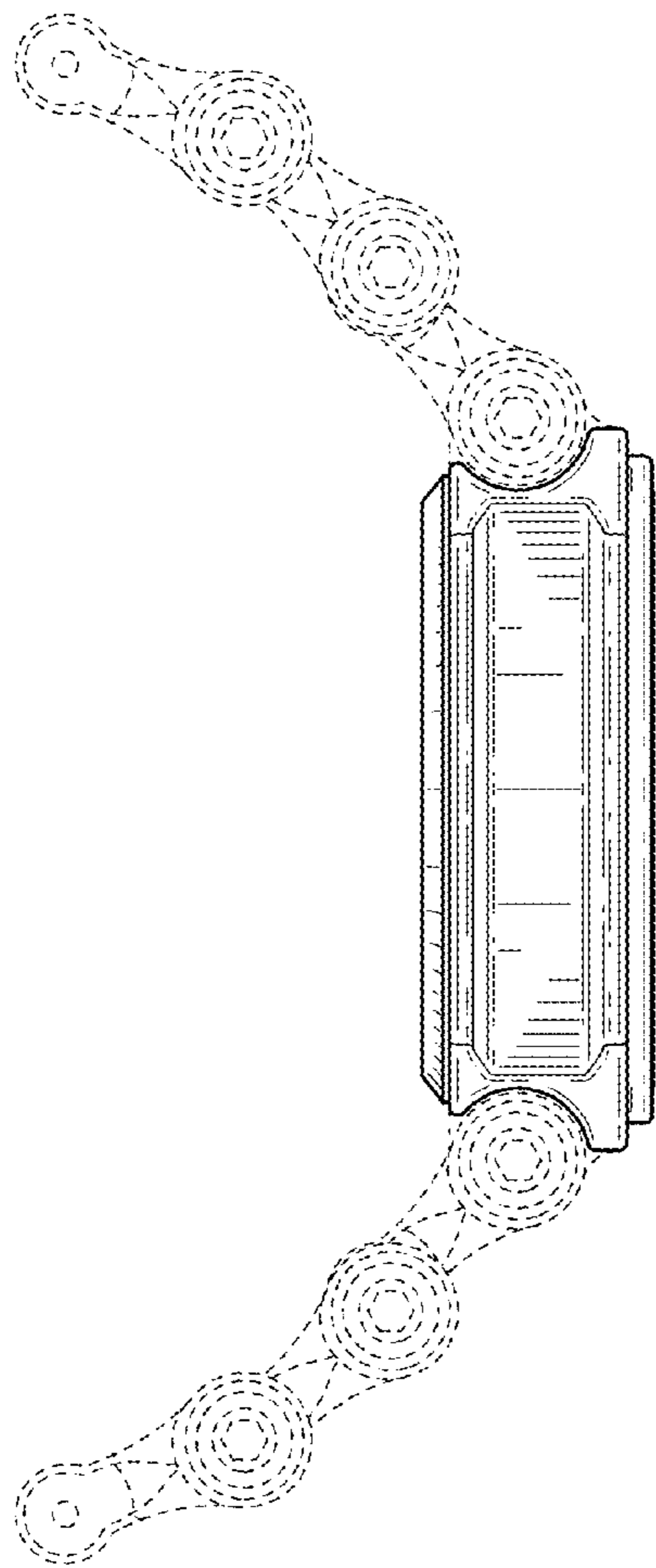


FIG. 4

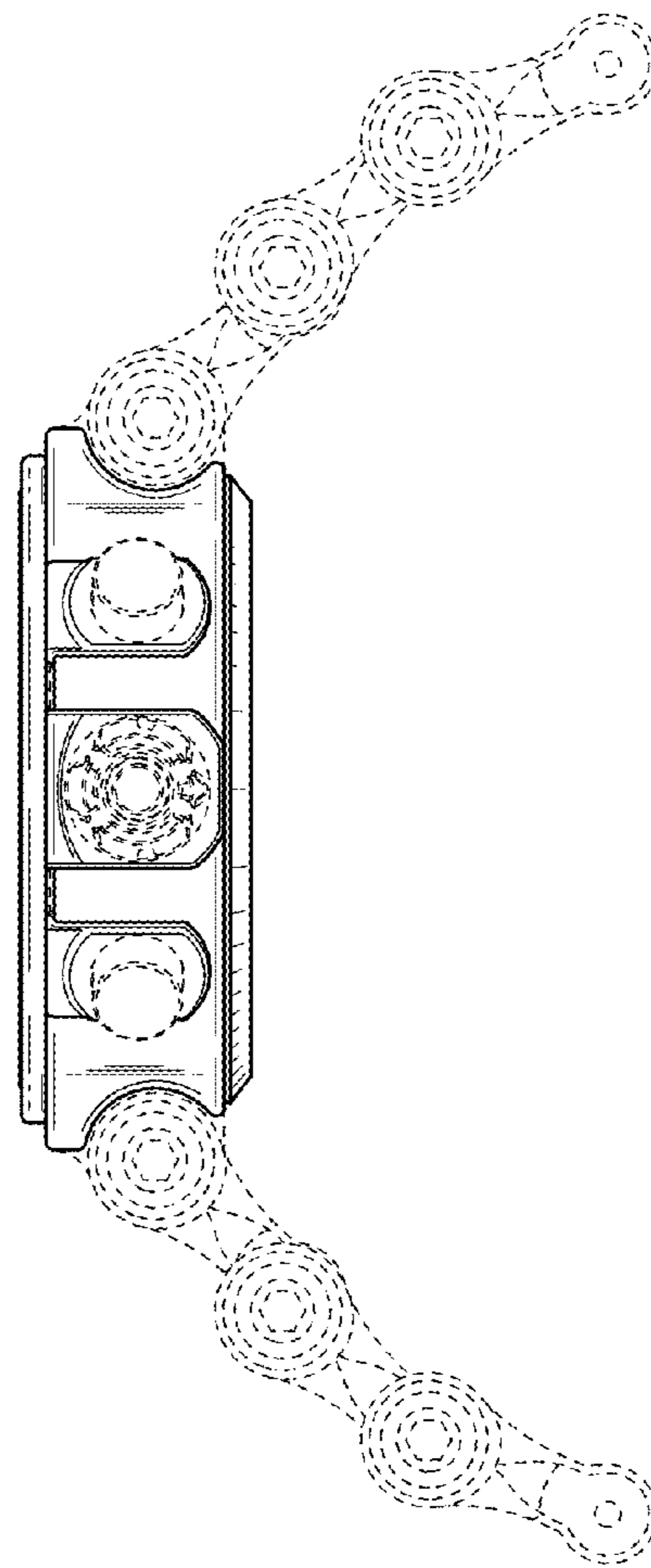


FIG. 5

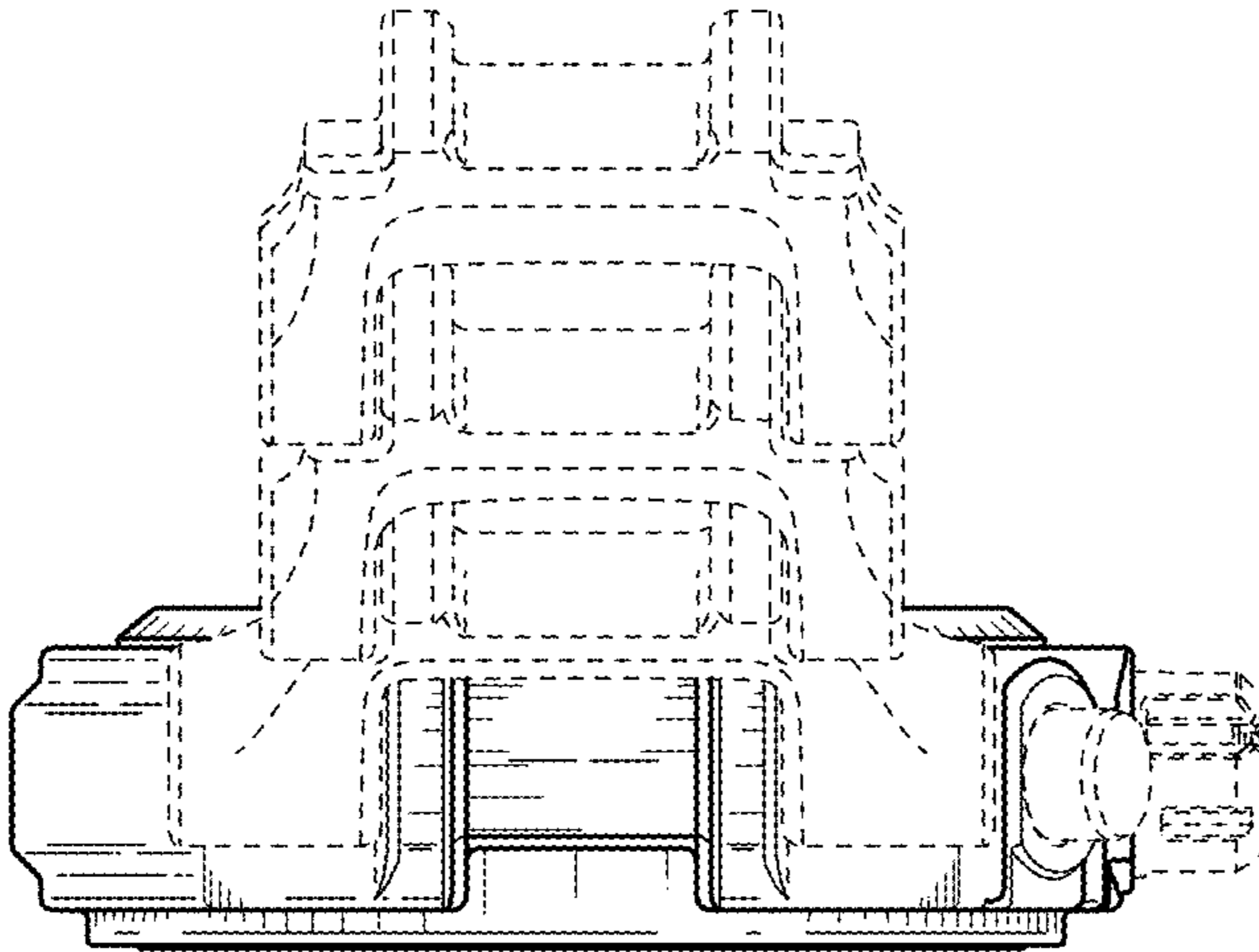


FIG. 6

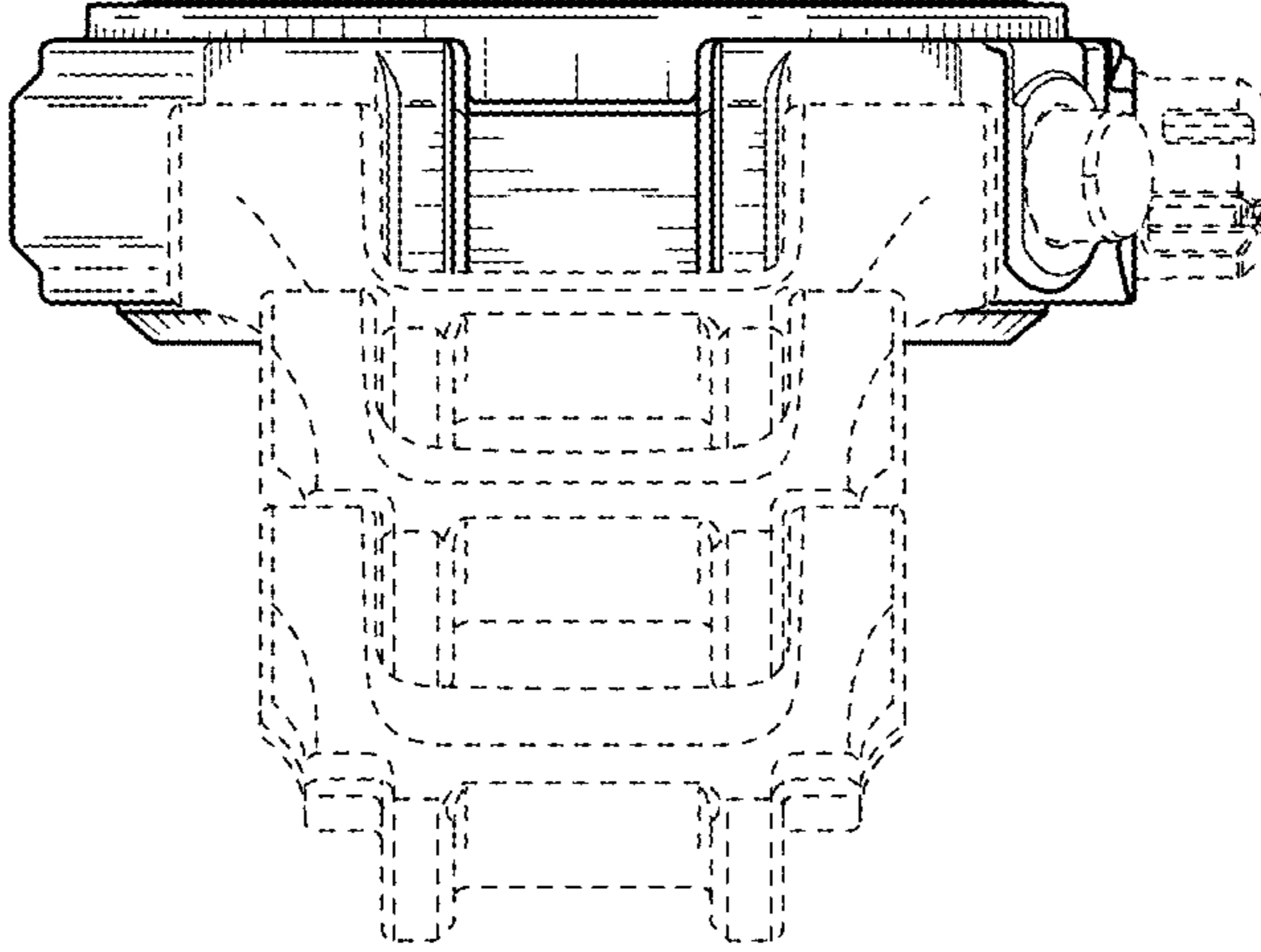


FIG. 7