



US00D719849S

(12) **United States Design Patent**  
**Buckley et al.**

(10) **Patent No.:** **US D719,849 S**

(45) **Date of Patent:** **\*\* \*Dec. 23, 2014**

(54) **CARTON**

(71) Applicant: **Brødrene Hartmann A/S**, Gentofte (DK)

(72) Inventors: **Nick Buckley**, Hertfordshire (GB); **Hans Erik Roth**, Aabenraa (DK)

(73) Assignee: **Brødrene Hartmann A/S**, Gentofte (DK)

(\*) Notice: This patent is subject to a terminal disclaimer.

(\*\*) Term: **14 Years**

(21) Appl. No.: **29/439,530**

(22) Filed: **Dec. 12, 2012**

(30) **Foreign Application Priority Data**

Jun. 13, 2012 (EM) ..... 001330690-0001

(51) **LOC (10) Cl.** ..... **09-03**

(52) **U.S. Cl.**  
USPC ..... **D9/762; D9/757**

(58) **Field of Classification Search**  
USPC ..... D9/762, 757, 737, 761, 420, 425, 426,  
D9/456; D7/611; 220/508; 206/521, 521.1,  
206/521.3, 521.4, 521.6, 521.8, 521.9, 564;  
229/406

See application file for complete search history.

(56) **References Cited**

**U.S. PATENT DOCUMENTS**

3,362,605	A *	1/1968	Bixler	.....	206/521.1
3,372,856	A *	3/1968	Erhart et al.	.....	229/123.2
3,392,902	A *	7/1968	Donovan	.....	206/521.1
3,471,078	A *	10/1969	Seest et al.	.....	206/521.8
3,531,039	A *	9/1970	Boyd et al.	.....	206/521.8
3,593,910	A *	7/1971	Bessett et al.	.....	206/521.1
3,813,027	A *	5/1974	Misdom et al.	.....	206/521.1
4,492,331	A *	1/1985	Bixler et al.	.....	206/521.1
4,742,952	A *	5/1988	Bixler et al.	.....	229/125.36

D385,780	S *	11/1997	Krupa et al.	.....	D9/757
D412,841	S *	8/1999	Herbruck	.....	D9/762
D418,405	S *	1/2000	Herbruck	.....	D9/762
6,012,583	A *	1/2000	Ramirez	.....	206/521.1
D466,802	S *	12/2002	Davkovski	.....	D9/757
6,488,152	B1 *	12/2002	Steffann	.....	206/521.1
D484,796	S *	1/2004	Buckley	.....	D9/757
D491,463	S *	6/2004	Zelina et al.	.....	D9/757
D506,932	S *	7/2005	Ramirez	.....	D9/737
D514,954	S *	2/2006	Kim	.....	D9/757
D520,377	S *	5/2006	Beese et al.	.....	D9/762
D560,492	S *	1/2008	Markowicz et al.	.....	D9/721
7,353,951	B2 *	4/2008	Vovan	.....	206/521.8
D606,421	S *	12/2009	Krummenacher	.....	D9/757
7,665,608	B2 *	2/2010	Buckley	.....	206/521.1
D632,974	S *	2/2011	Dijkstra et al.	.....	D9/757
D632,975	S *	2/2011	Dijkstra et al.	.....	D9/757
D632,976	S *	2/2011	Dijkstra et al.	.....	D9/757
D632,977	S *	2/2011	Dijkstra et al.	.....	D9/757
D695,137	S *	12/2013	Buckley et al.	.....	D9/762

\* cited by examiner

*Primary Examiner* — Mark Goodwin

(74) *Attorney, Agent, or Firm* — Marvin Petry; Stites & Harbison PLLC

(57) **CLAIM**

The ornamental design for a carton, as shown and described.

**DESCRIPTION**

FIG. 1 is a front elevational view of a carton, showing our new design.

FIG. 2 is a front left perspective view thereof.

FIG. 3 is a rear left perspective view thereof.

FIG. 4 is a left side elevational view thereof, wherein the right side elevational view is a mirror image thereof.

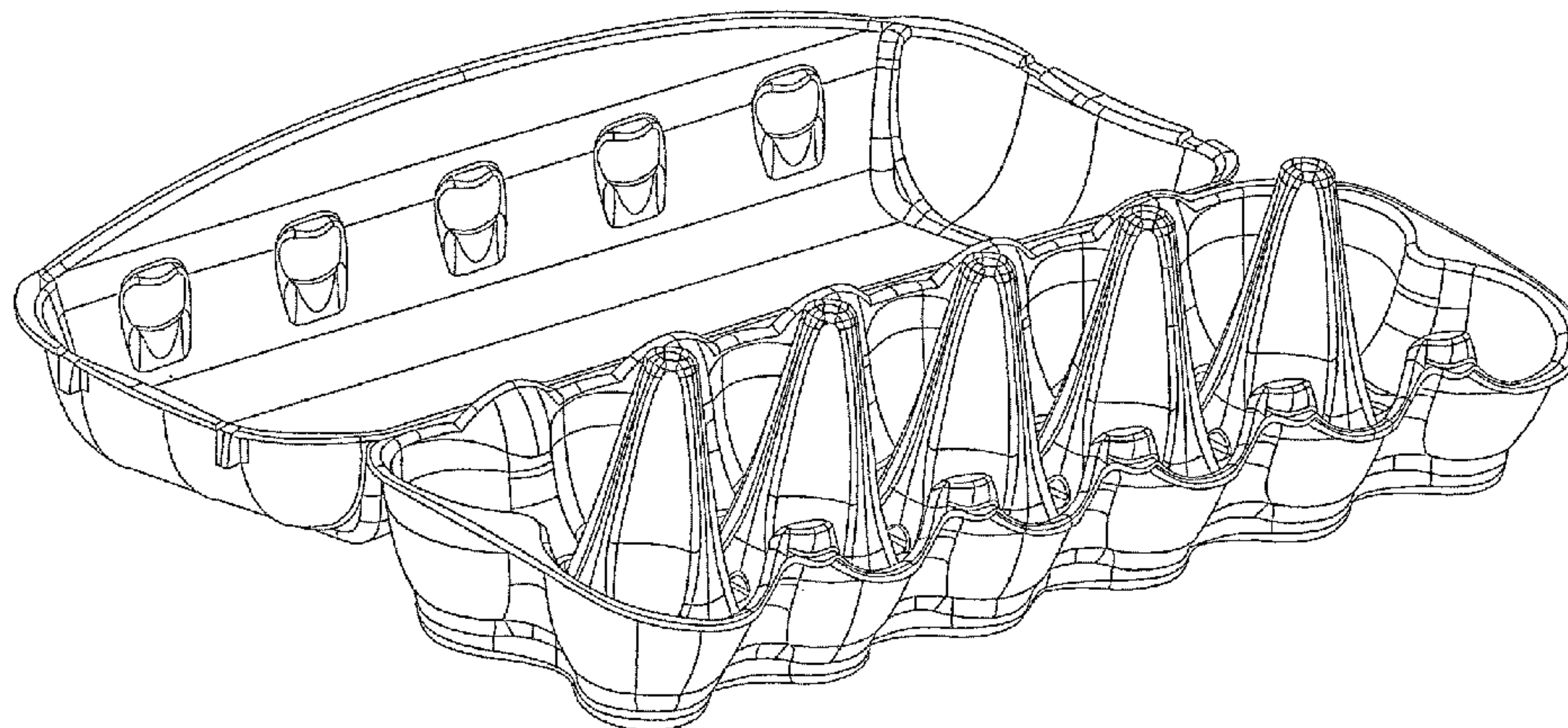
FIG. 5 is a front elevational view thereof, with the top turned 180° to an open position.

FIG. 6 is a rear elevational view thereof, with the top turned 180° to an open position.

FIG. 7 is a front left elevational view thereof, with the bottom turned 180° to an open position; and,

FIG. 8 is a front left perspective view thereof, with the top turned 180° to an open position.

**1 Claim, 8 Drawing Sheets**



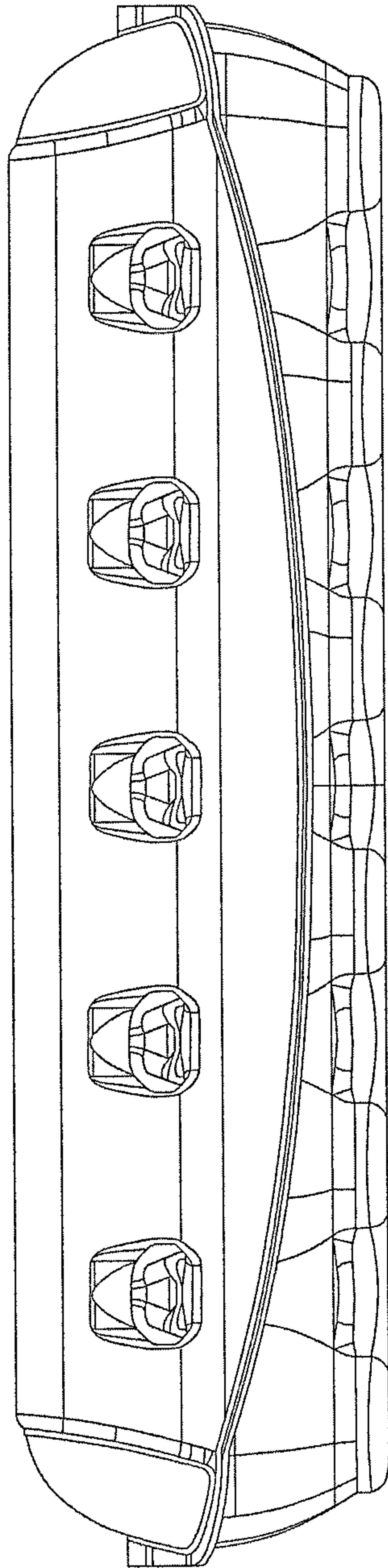


FIG. 1

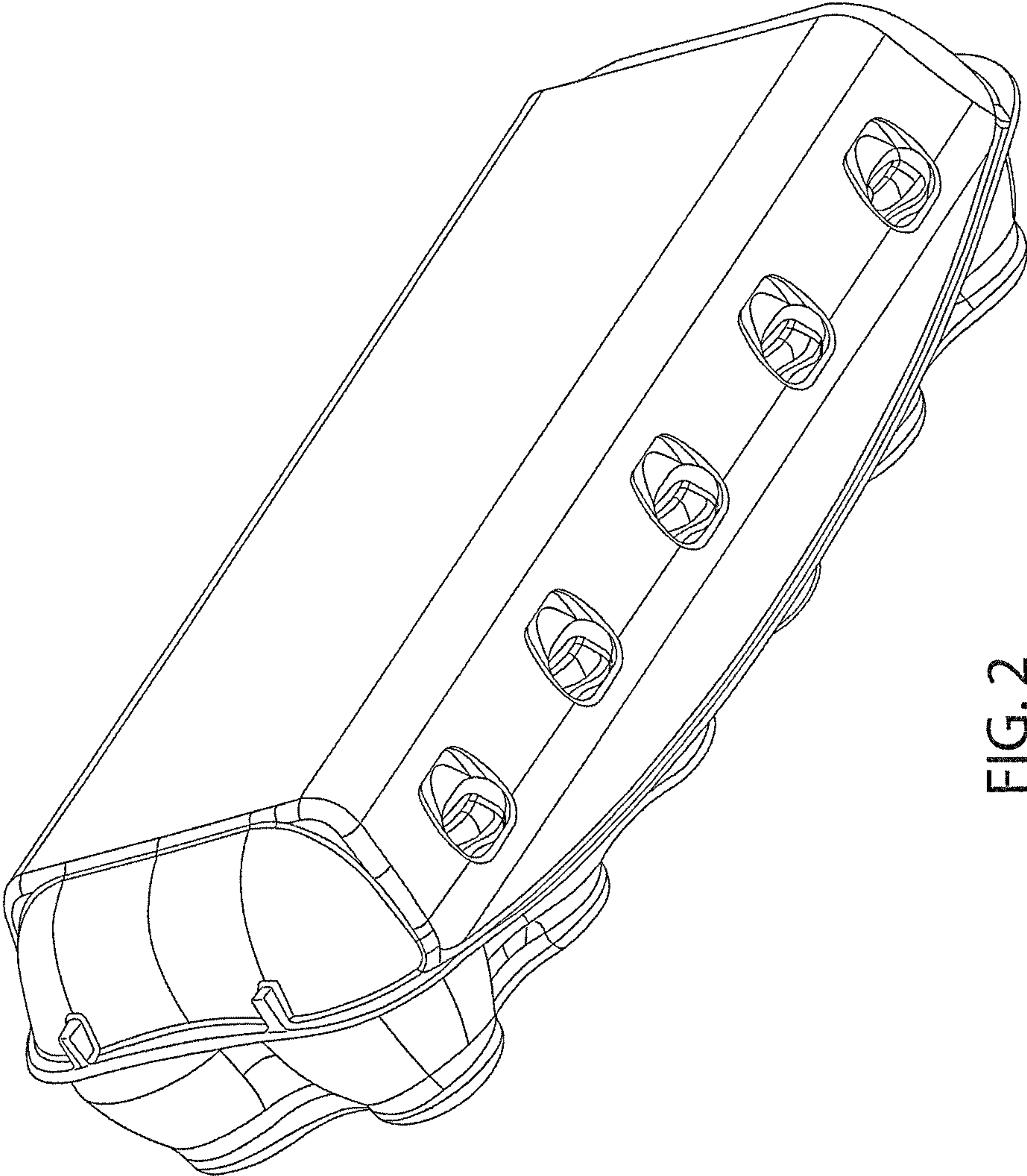


FIG. 2



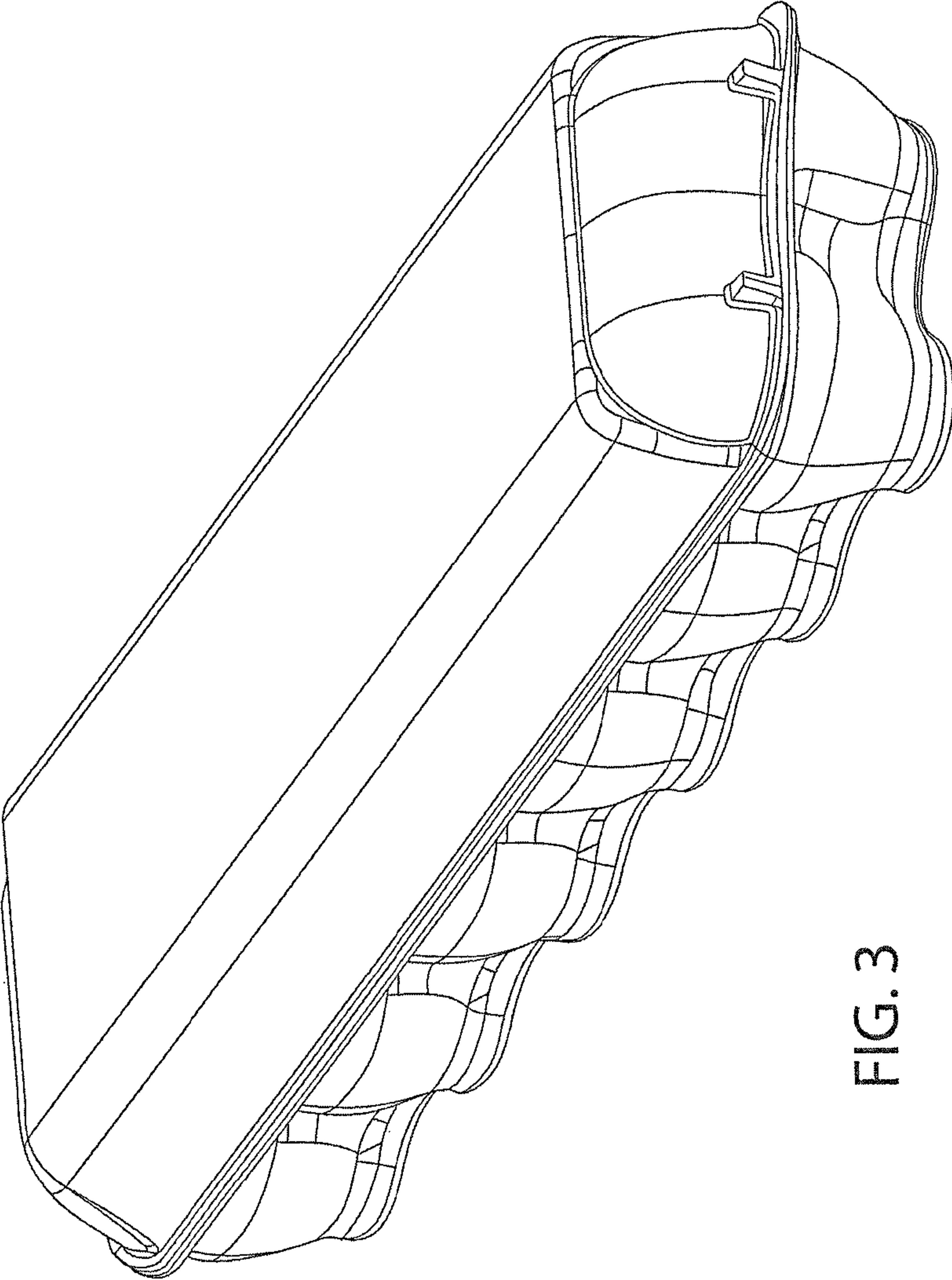


FIG. 3

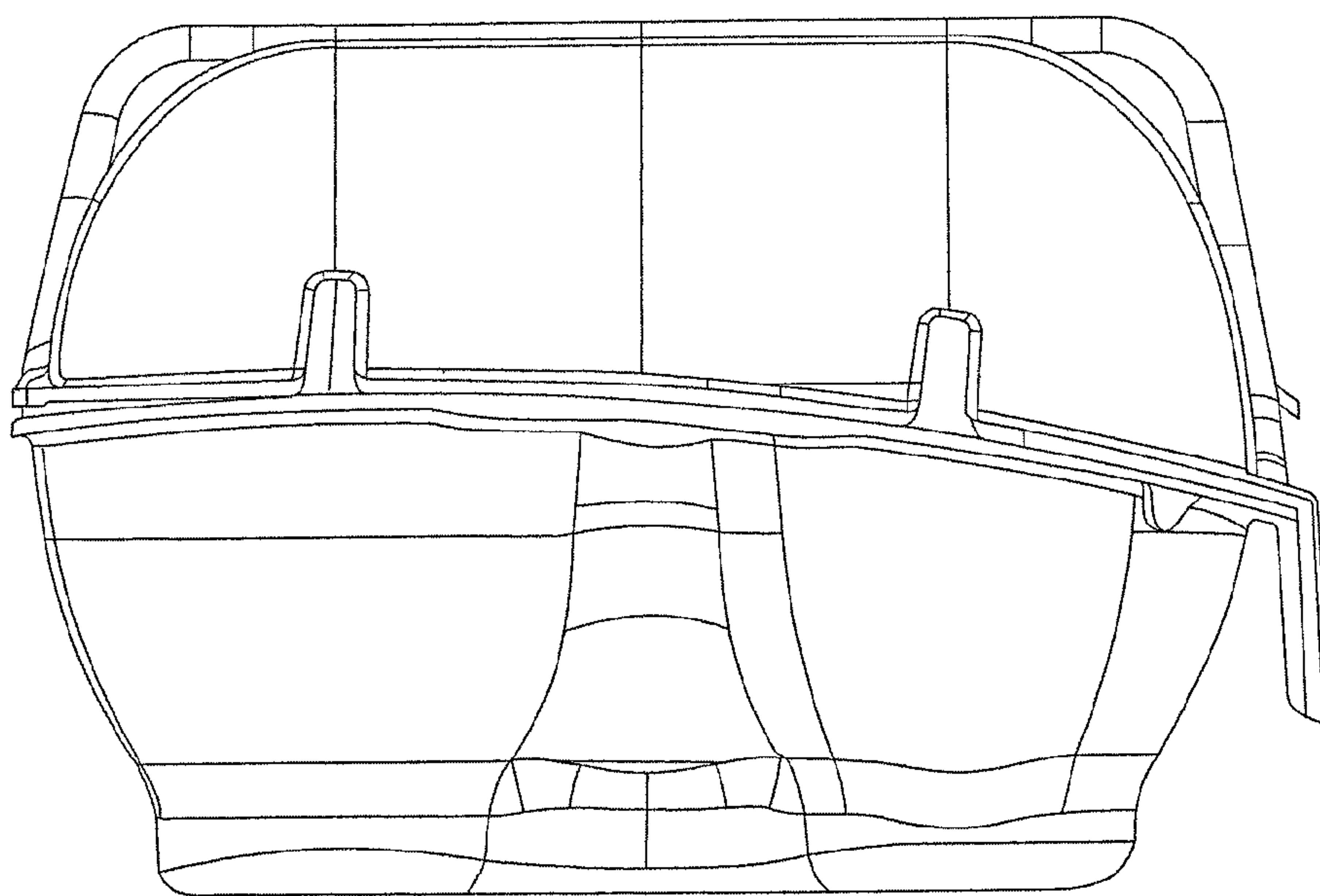


FIG. 4

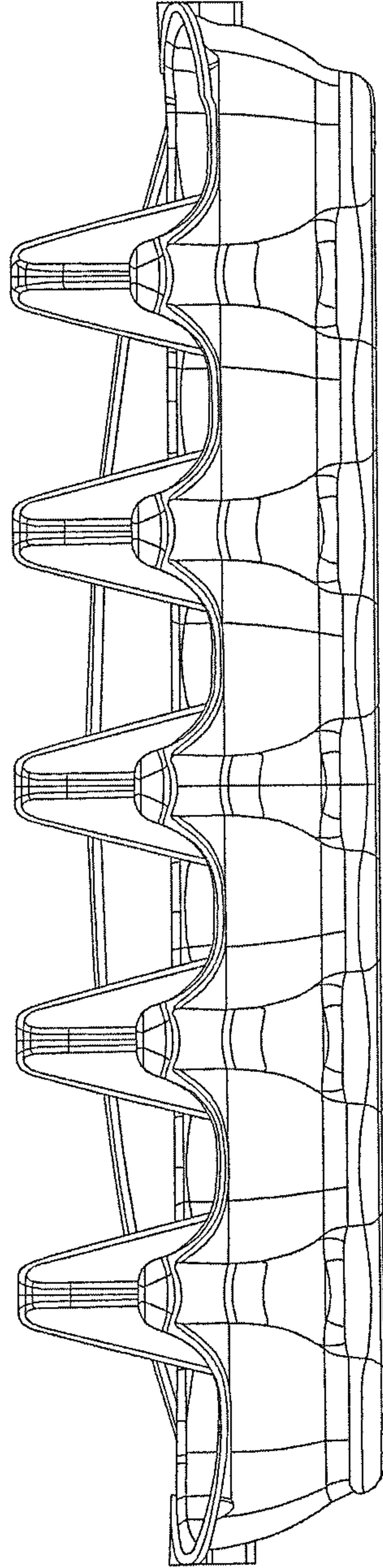


FIG. 5

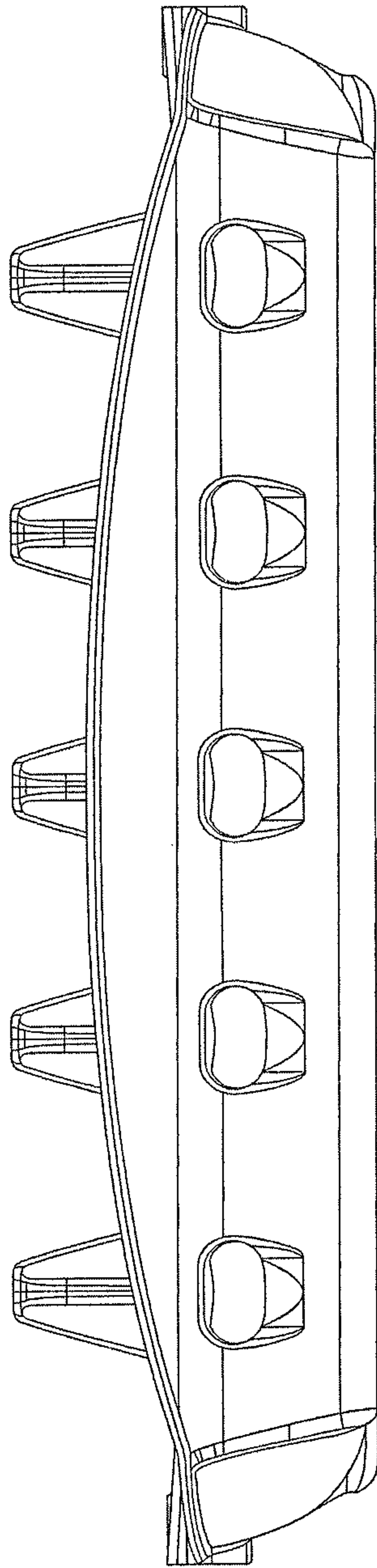


FIG. 6

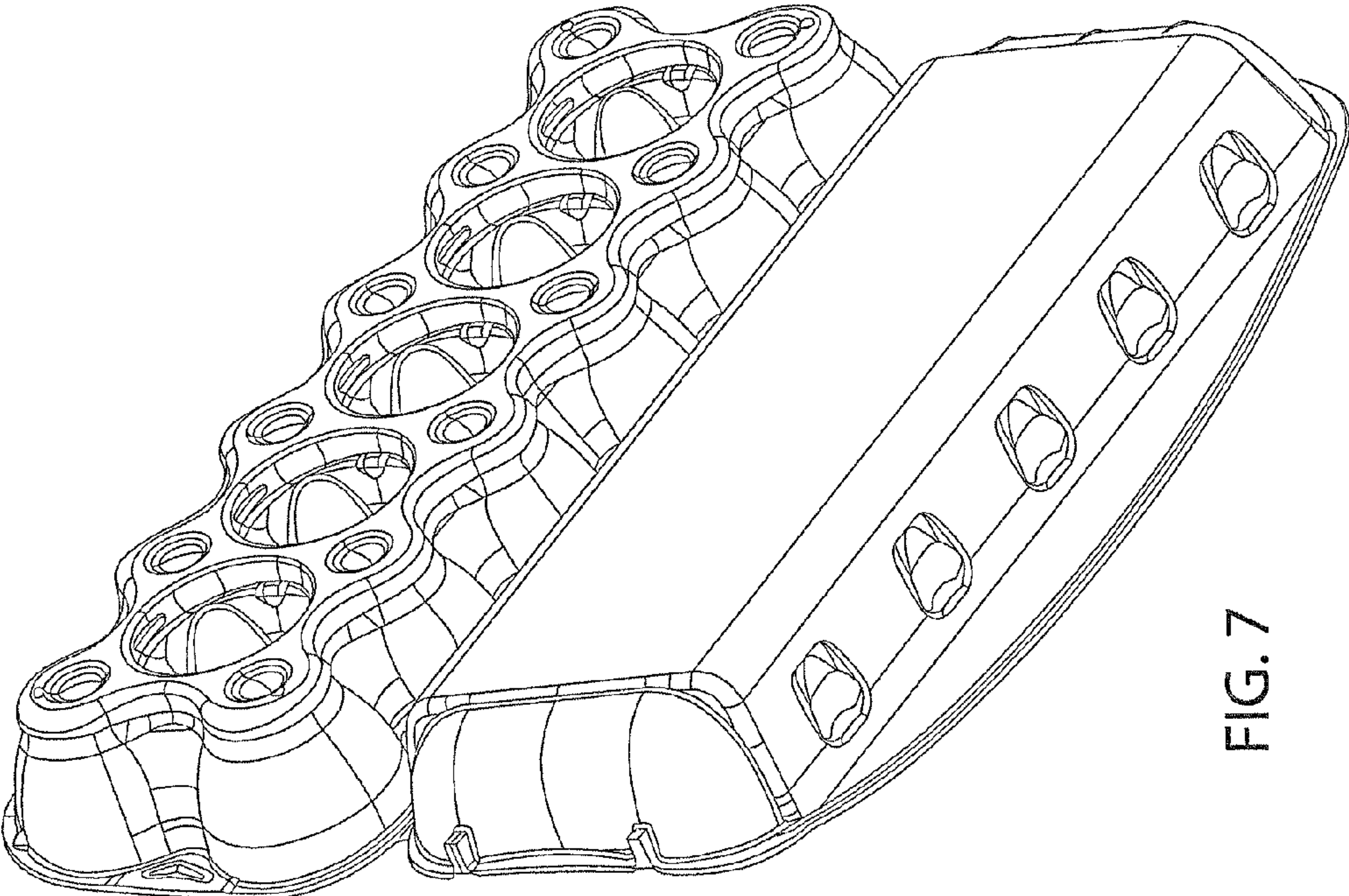


FIG. 7



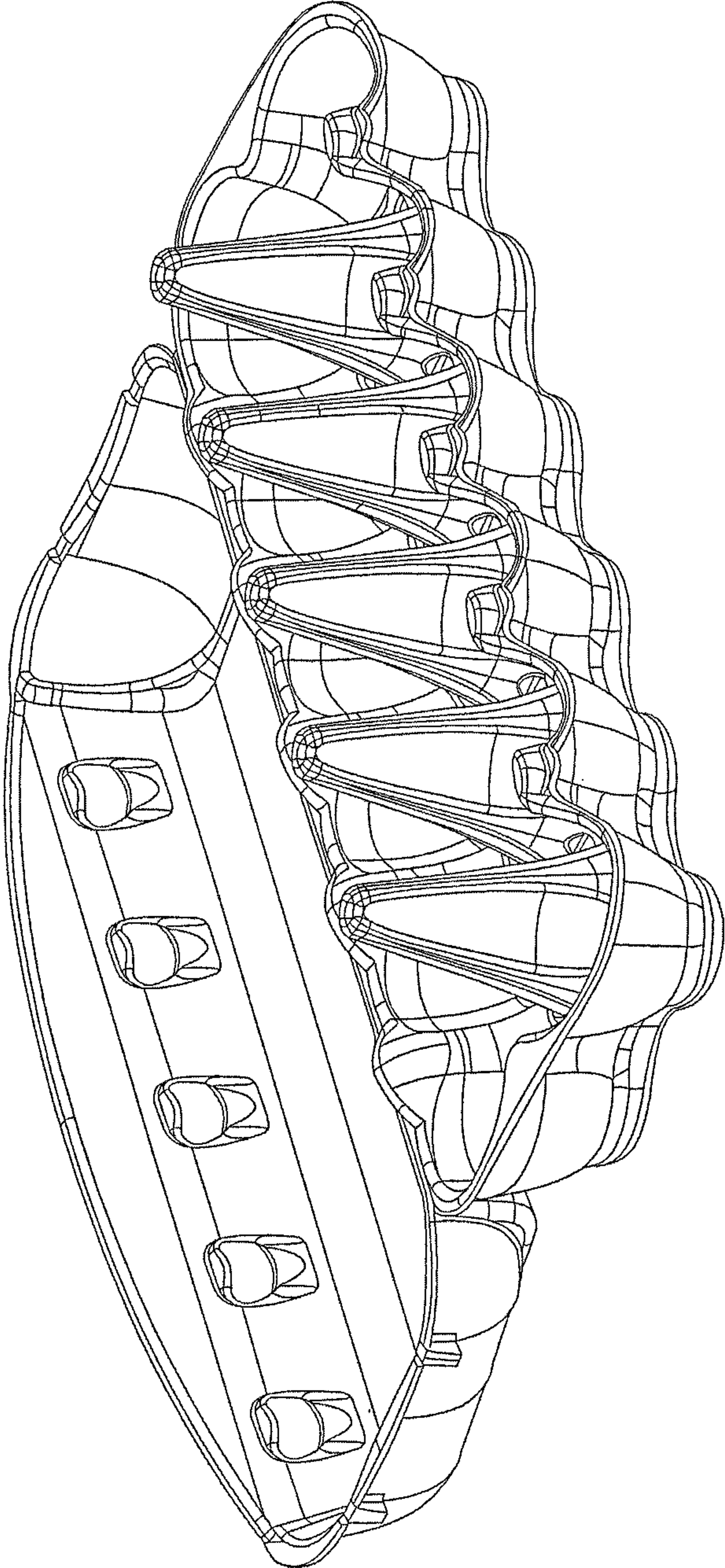


FIG. 8