

US00D719847S

(12) **United States Design Patent**
Li et al.

(10) **Patent No.:** **US D719,847 S**
(45) **Date of Patent:** **** Dec. 23, 2014**

(54) **REFILLABLE, FLEXIBLE MOIST WIPES DISPENSER WITH HANDLE**

(56) **References Cited**

U.S. PATENT DOCUMENTS

(71) Applicant: **Kimberly-Clark Worldwide, Inc.**,
Neenah, WI (US)
(72) Inventors: **Kam Mei Li**, Yuen Long N.T. (CN);
Todd Michael Carlson, Downers Grove,
IL (US); **Christopher Michael**
Bechyne, Menasha, WI (US)
(73) Assignee: **Kimberly-Clark Worldwide, Inc.**,
Neenah, WI (US)

2,663,343	A *	12/1953	Hyman	150/127
2,692,674	A *	10/1954	Shnitzler et al.	206/358
3,361,333	A *	1/1968	Stuart	229/117.22
3,747,830	A *	7/1973	Goldman	229/4.5
3,970,228	A *	7/1976	Keller	224/251
4,002,264	A *	1/1977	Marchesani	221/63
D303,760	S *	10/1989	Brainard	D9/697
D377,118	S *	1/1997	Carbone et al.	D3/228
5,938,013	A *	8/1999	Palumbo et al.	206/210
D470,755	S *	2/2003	Espinel et al.	D9/707
6,543,642	B1 *	4/2003	Milliorn	221/46
D491,314	S *	6/2004	Cousins	D28/77
7,228,968	B1 *	6/2007	Burgess	206/494
D568,762	S *	5/2008	Keberlein	D9/734
2007/0194042	A1 *	8/2007	Wilbur	222/92
2008/0179326	A1 *	7/2008	Krauth et al.	220/260
2009/0014459	A1 *	1/2009	Hood et al.	221/45
2014/0001196	A1 *	1/2014	Bushman et al.	221/45

(**) Term: **14 Years**

(21) Appl. No.: **29/481,058**

(22) Filed: **Jan. 31, 2014**

(51) **LOC (10) Cl.** **09-01**

(52) **U.S. Cl.**
USPC **D9/734**

(58) **Field of Classification Search**
USPC D9/414, 424, 499, 430, 431, 443, 702,
D9/711, 730, 734; D3/20, 201, 203.1, 205,
D3/215, 272, 273, 307, 315, 316, 327, 328,
D3/901; D24/121, 128; D7/601, 602, 607,
D7/641; 206/205, 210, 216, 233, 389, 395,
206/548, 581, 812; 221/33, 36, 45, 46, 47,
221/52, 199, 255, 259, 305, 309; D6/512,
D6/515, 518, 522; 222/92, 95, 96;
150/107; D28/73, 76, 77, 83;
229/117.09, 117.19, 117.23, 117.24;
224/182, 267, 932

See application file for complete search history.

* cited by examiner

Primary Examiner — Derrick Holland

Assistant Examiner — Lauren Calve

(74) *Attorney, Agent, or Firm* — Kimberly-Clark
Worldwide, Inc.

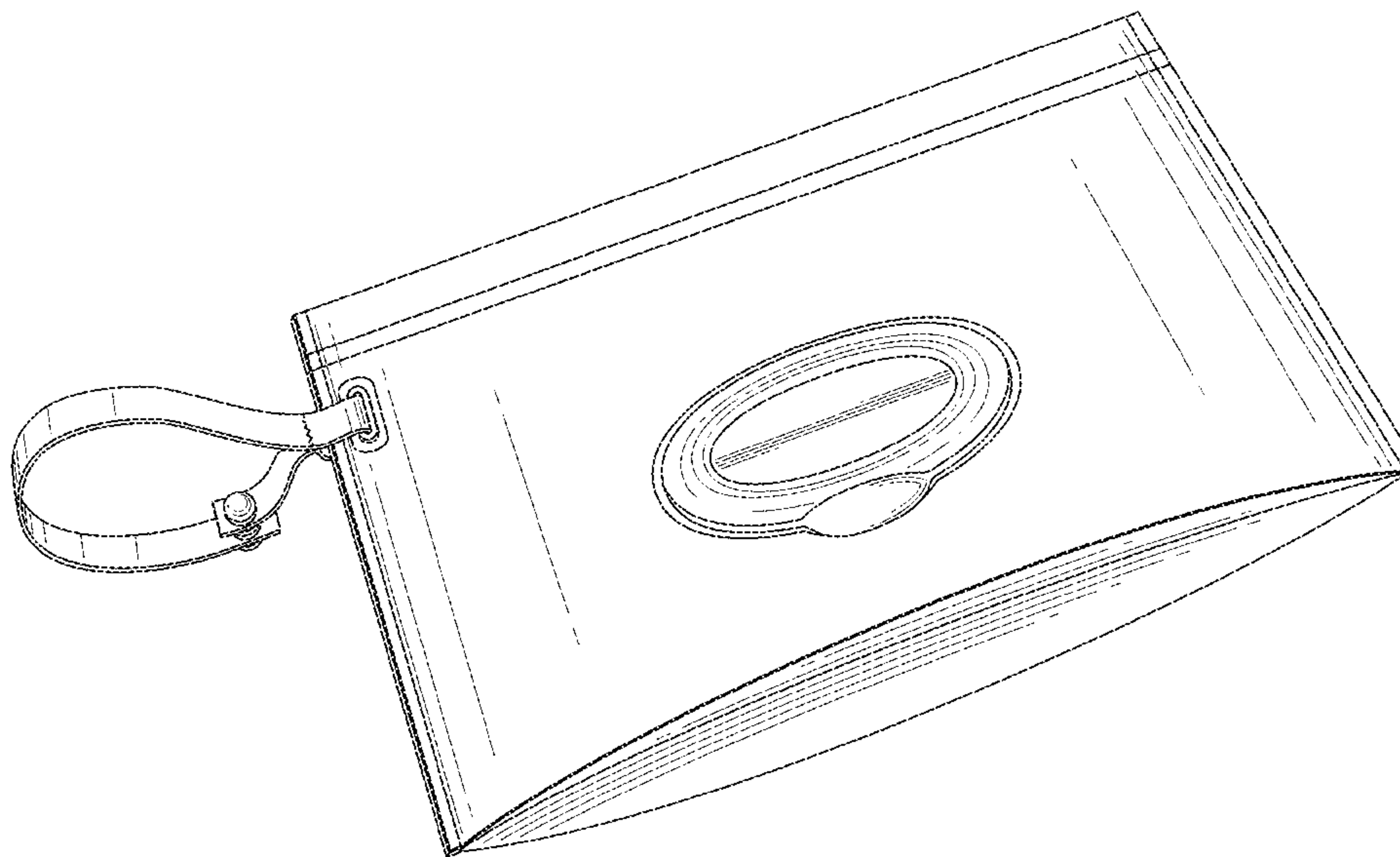
(57) **CLAIM**

The ornamental design for a refillable, flexible moist wipes dispenser with handle, as shown and described.

DESCRIPTION

FIG. 1 is a perspective view of a refillable, flexible moist wipes dispenser with handle.
FIG. 2 is a front elevational view thereof.
FIG. 3 is a back elevational view thereof.
FIG. 4 is a top plan view thereof.
FIG. 5 is a bottom plan view thereof.
FIG. 6 is an end elevational view thereof; and,
FIG. 7 is an opposite end elevational view thereof.

1 Claim, 5 Drawing Sheets



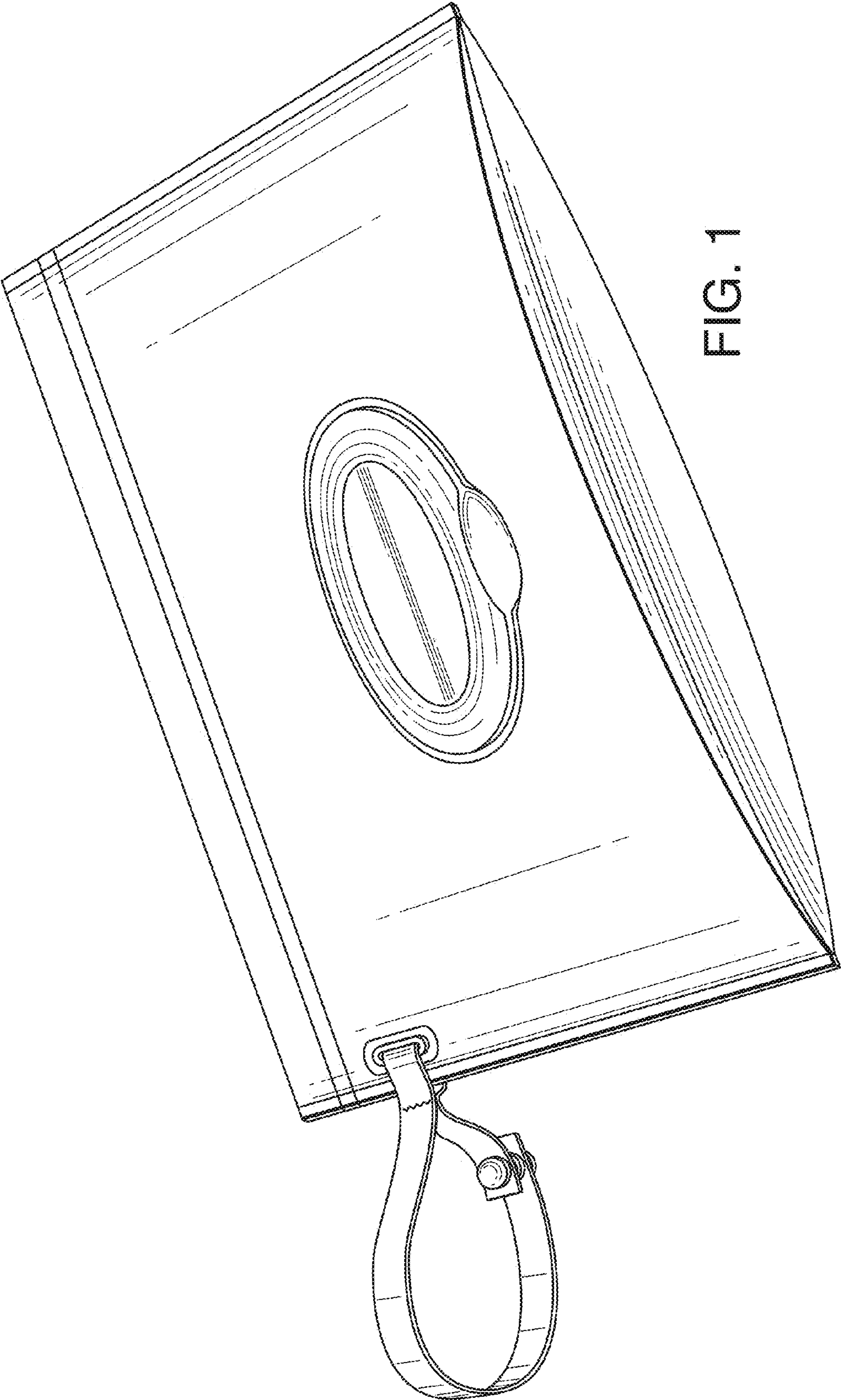


FIG. 1

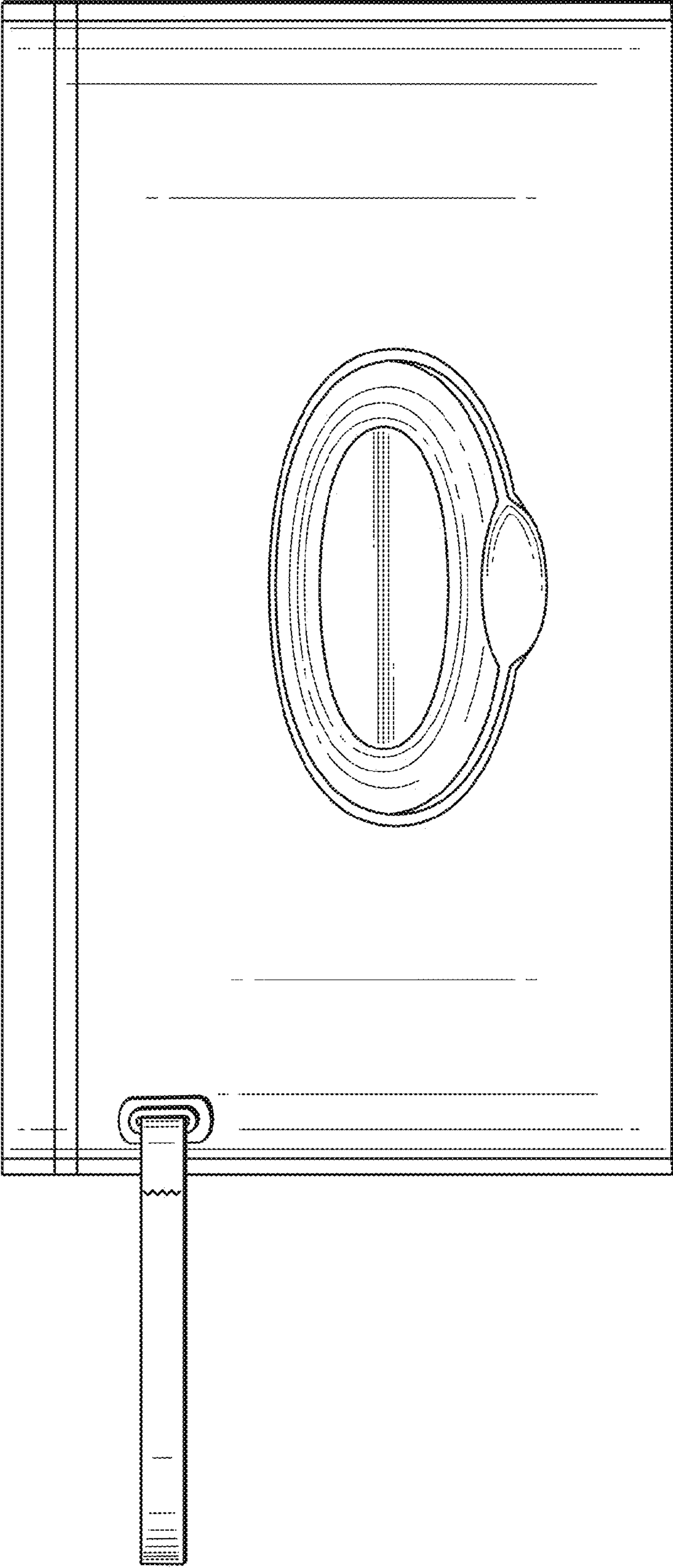


FIG. 2

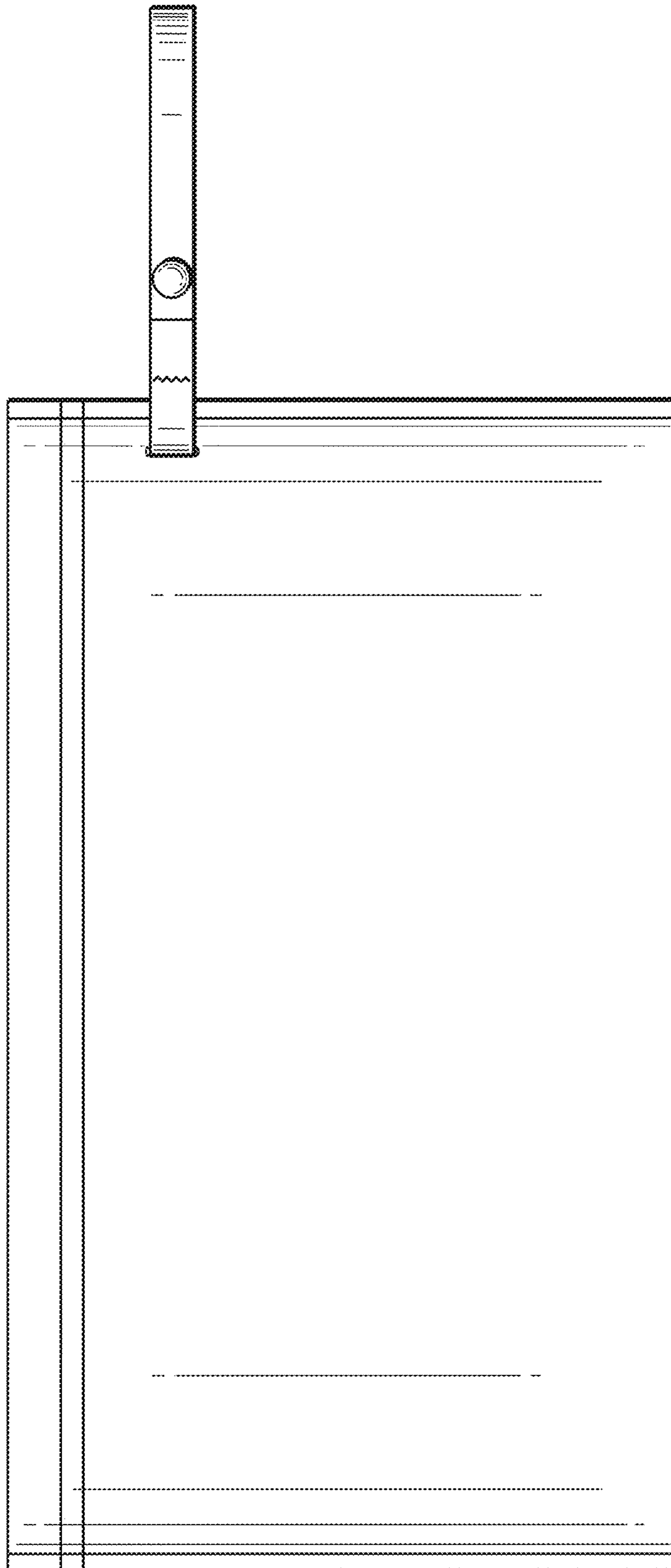


FIG. 3

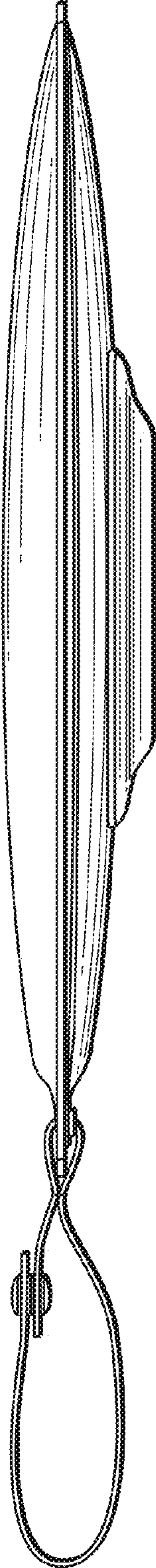


FIG. 4

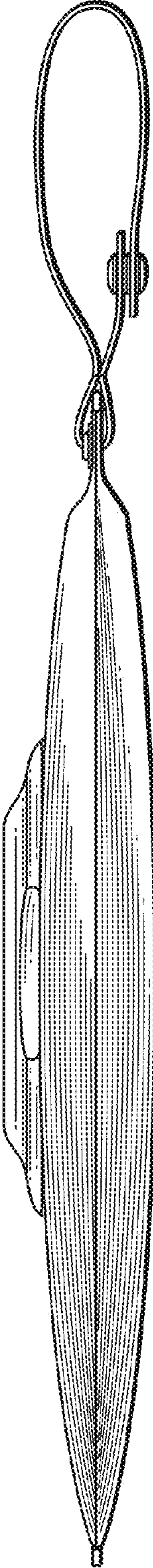


FIG. 5

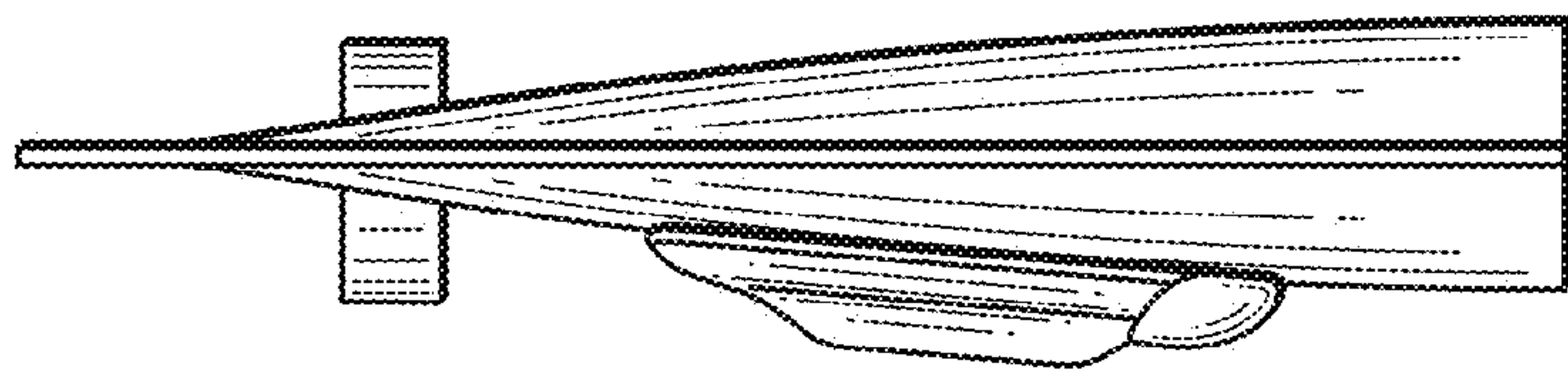


FIG. 7

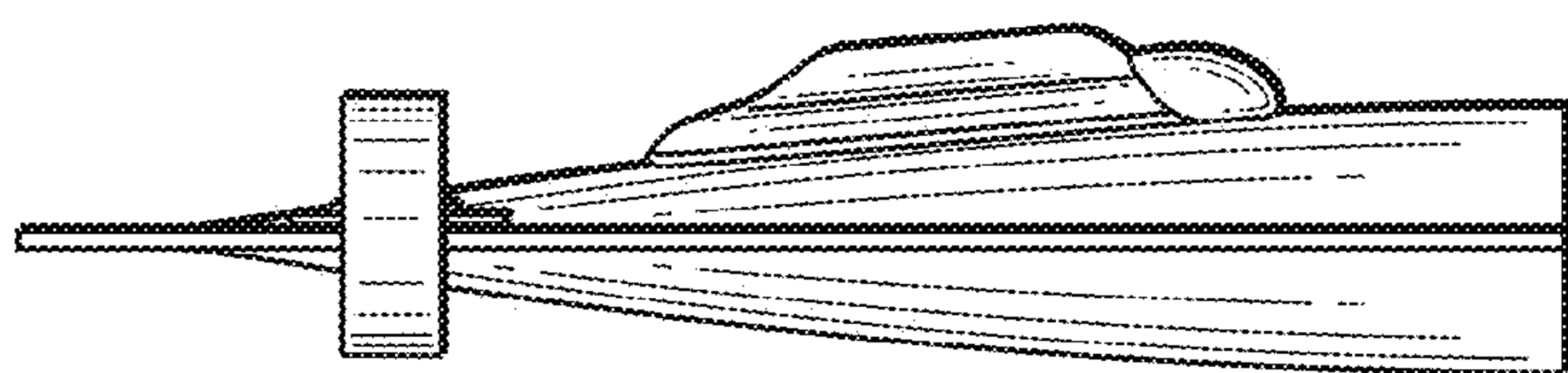


FIG. 6