



US00D719845S

(12) **United States Design Patent**
Lee

(10) **Patent No.:** **US D719,845 S**

(45) **Date of Patent:** **** Dec. 23, 2014**

(54) **SHIRT AND ACCESSORIES HOLDER**

(71) Applicant: **In Y. Lee**, Flushing, NY (US)

(72) Inventor: **In Y. Lee**, Flushing, NY (US)

(**) Term: **14 Years**

(21) Appl. No.: **29/477,618**

(22) Filed: **Dec. 24, 2013**

(51) **LOC (10) Cl.** **09-05**

(52) **U.S. Cl.**
USPC **D9/702**

(58) **Field of Classification Search**

USPC D9/702-714, 501, 503, 505, 414, 716,
D9/415, 416, 418, 419, 429, 432, 433;
383/904; 206/389, 418, 701-702, 305,
206/306, 461-471, 486, 271, 349-383,
206/775-783; 374/208; 228/60; D7/608;
229/4.5, 5.5, 103.2, 800; 428/34.1,
428/34.2; D3/201

See application file for complete search history.

(56) **References Cited**

U.S. PATENT DOCUMENTS

D216,251 S *	12/1969	Offray	D9/415
D343,116 S *	1/1994	Reger	D9/702
D533,325 S *	12/2006	Bird	D34/1
D593,873 S *	6/2009	Kim	D9/721
D596,952 S *	7/2009	Kim	D9/721
D606,883 S *	12/2009	Kim	D9/721
D619,903 S *	7/2010	Kool	D9/663
D635,014 S *	3/2011	McAleese	D9/414
D658,404 S *	5/2012	Justin, III	D6/470
8,322,526 B2 *	12/2012	Kim	206/278
D697,790 S *	1/2014	Iwegbu	D9/420
D700,524 S *	3/2014	Ferriter	D9/711

* cited by examiner

Primary Examiner — John Windmuller

Assistant Examiner — Abraham Bahta

(74) *Attorney, Agent, or Firm* — Notaro, Michalos & Zaccaria P.C.

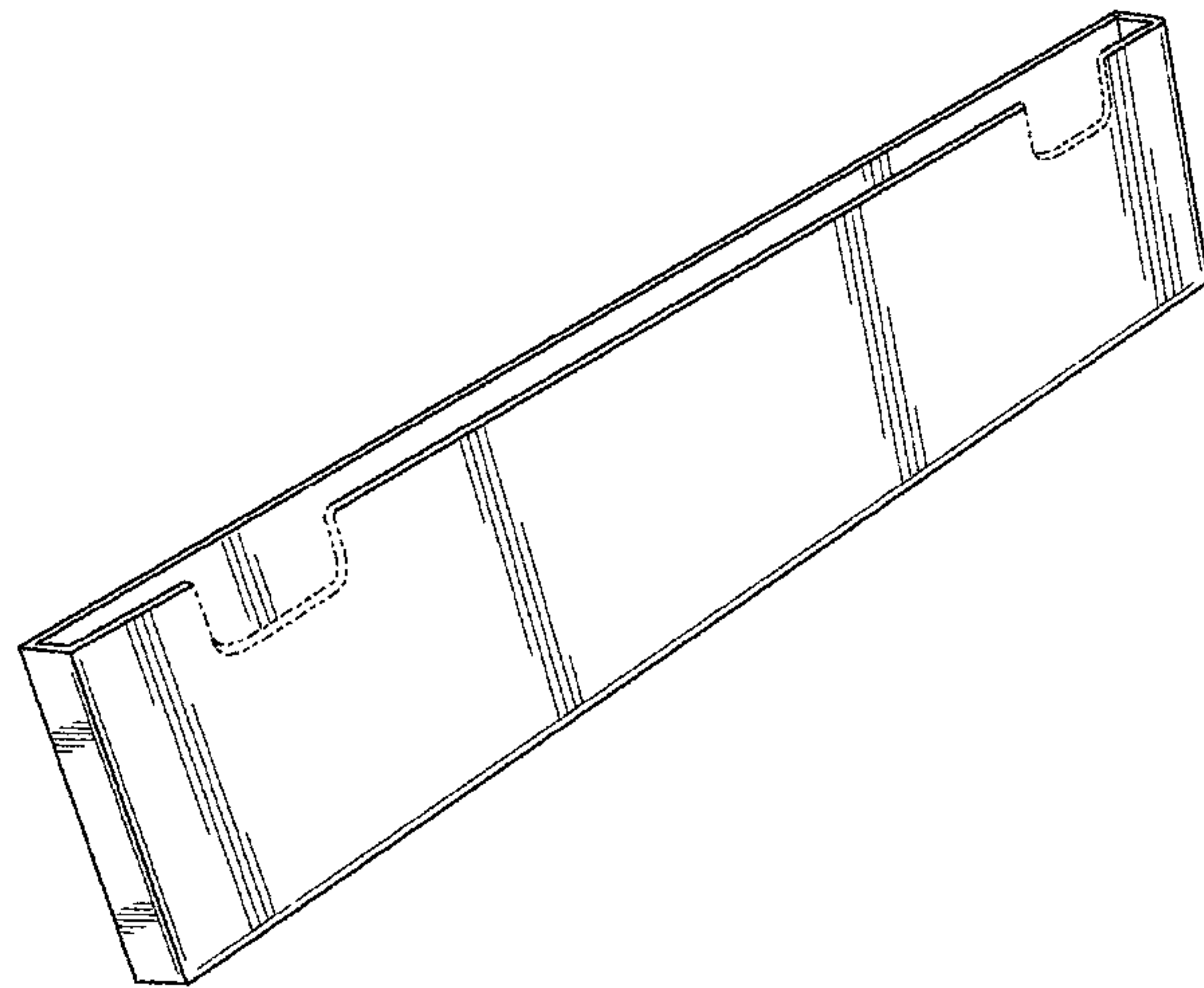
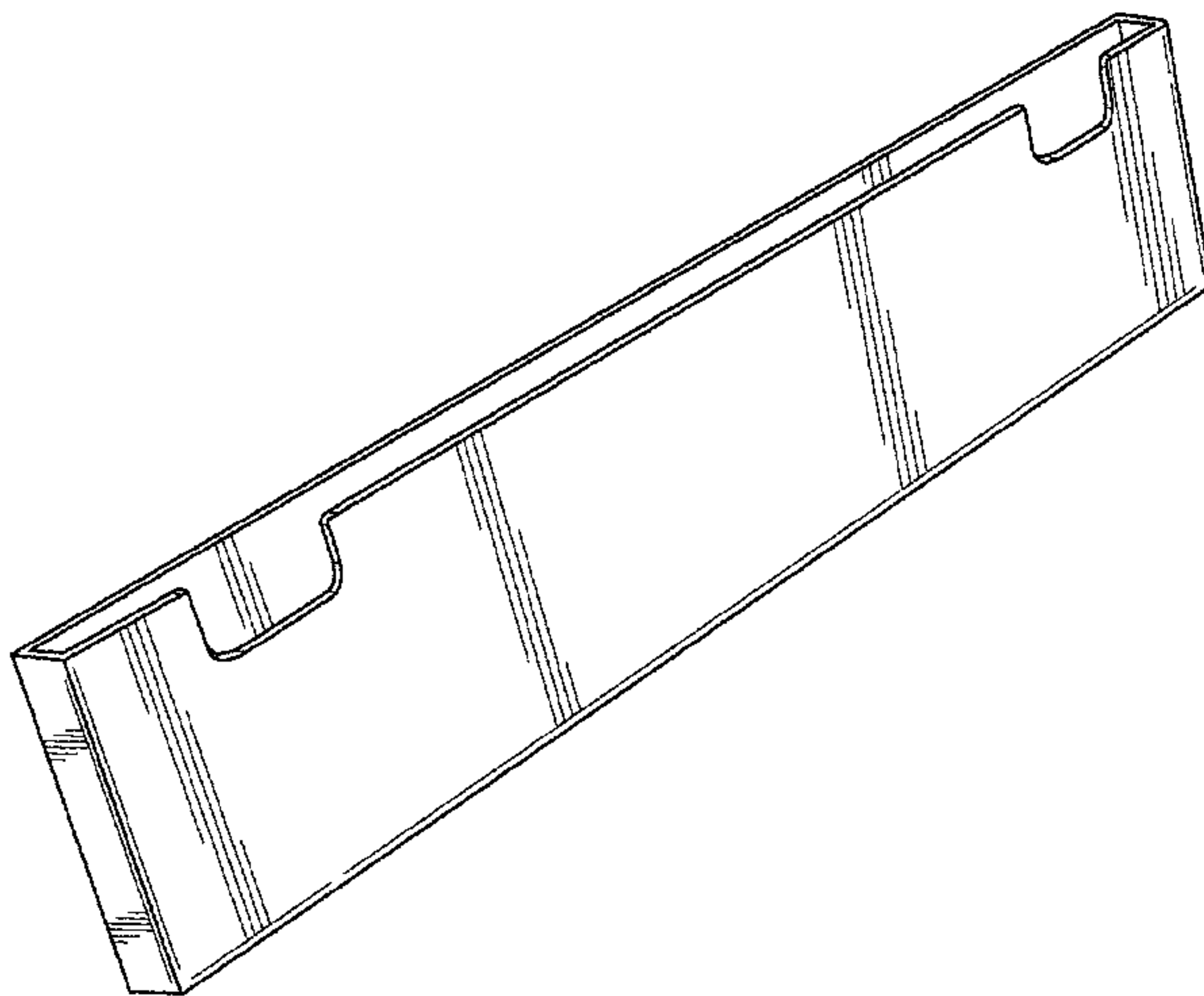
(57) **CLAIM**

The ornamental design for a shirt and accessories holder, as shown and described.

DESCRIPTION

FIG. 1 is a front, right top perspective view of a shirt and accessories holder showing my design therefor;
FIG. 2 is a rear bottom right perspective view thereof;
FIG. 3 is a front elevational view thereof;
FIG. 4 is a rear elevational view thereof;
FIG. 5 is a side elevational view thereof, the opposite side being identical;
FIG. 6 is a top plan view thereof;
FIG. 7 is a bottom plan view thereof;
FIG. 8 is a front elevational view of the design of FIG. 1 with the shirt and accessories shown in phantom line as environment and forming no part of the design;
FIG. 9 is a front, top, right perspective view of a further embodiment of my invention with broken lines forming no part of the design;
FIG. 10 is a rear, bottom, right perspective view thereof;
FIG. 11 is a front elevational view thereof;
FIG. 12 is a rear elevational view thereof;
FIG. 13 is a side elevational view thereof, the opposite side being identical;
FIG. 14 is a top plan view thereof; and,
FIG. 15 is a bottom plan view thereof.

1 Claim, 9 Drawing Sheets



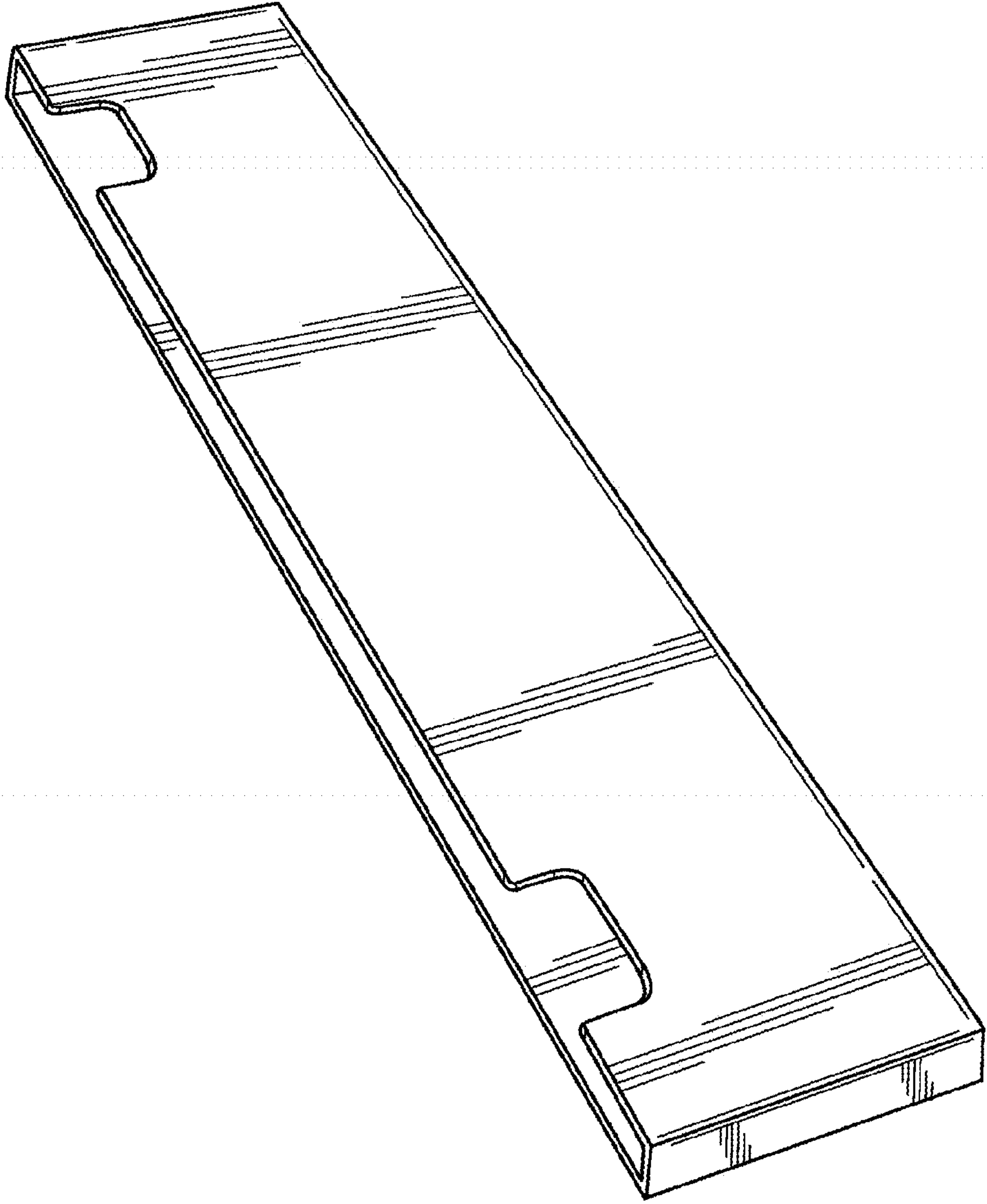


FIG. 1

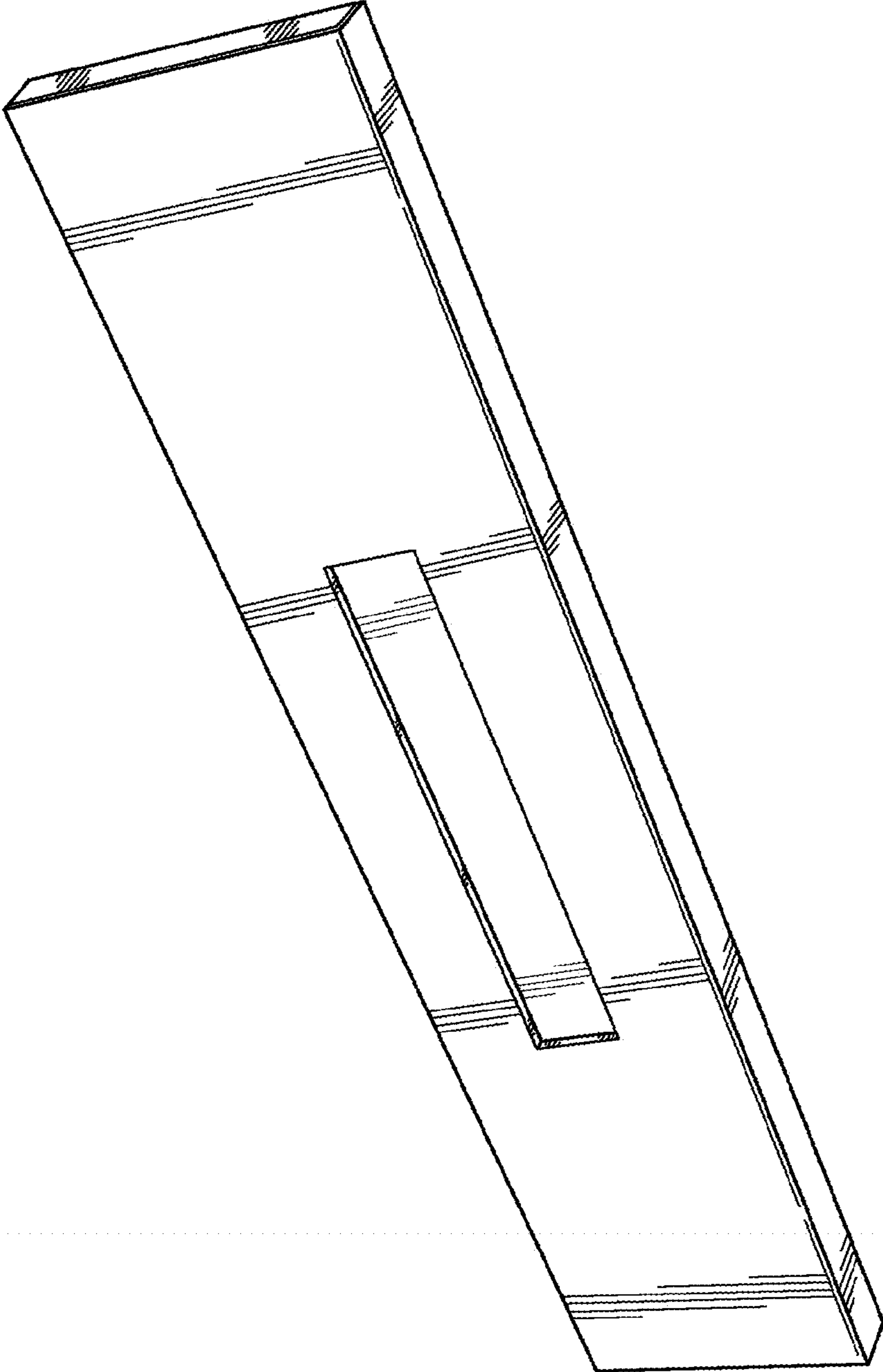


FIG. 2

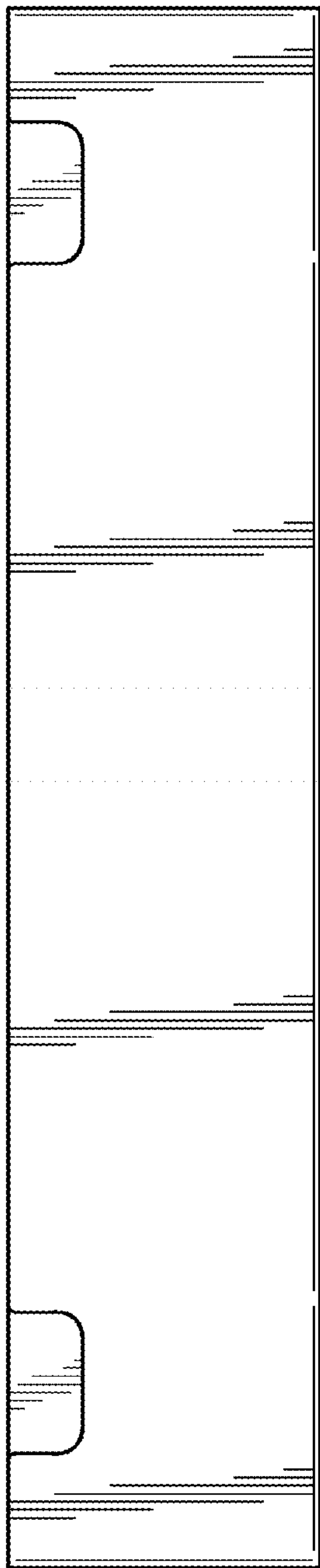


FIG. 3

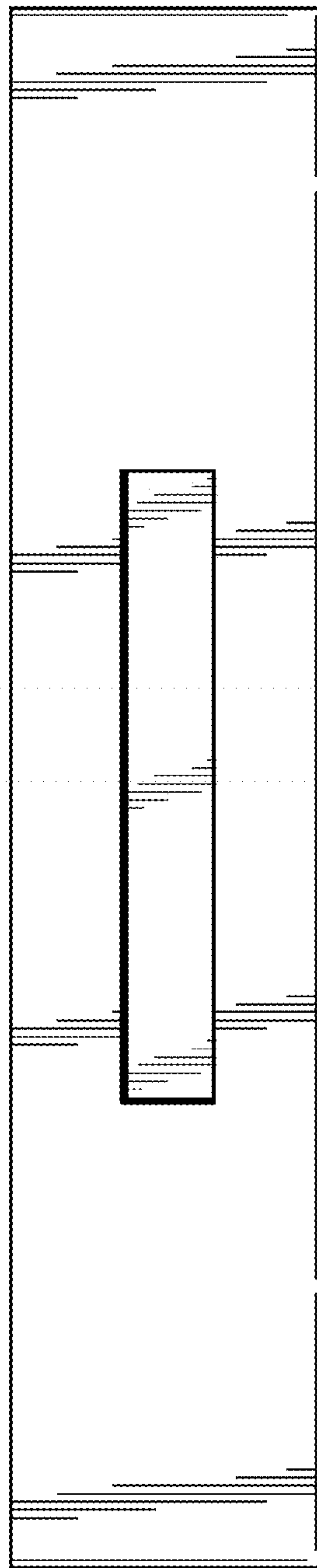


FIG. 4

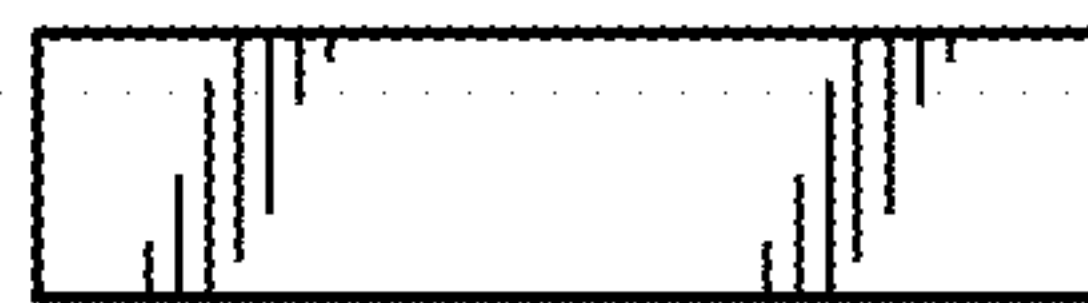


FIG. 5

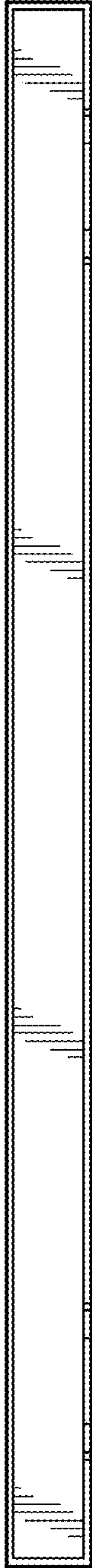


FIG. 6

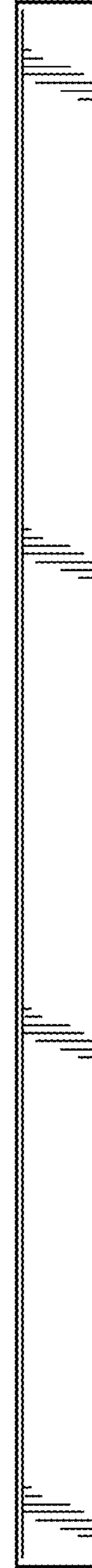


FIG. 7

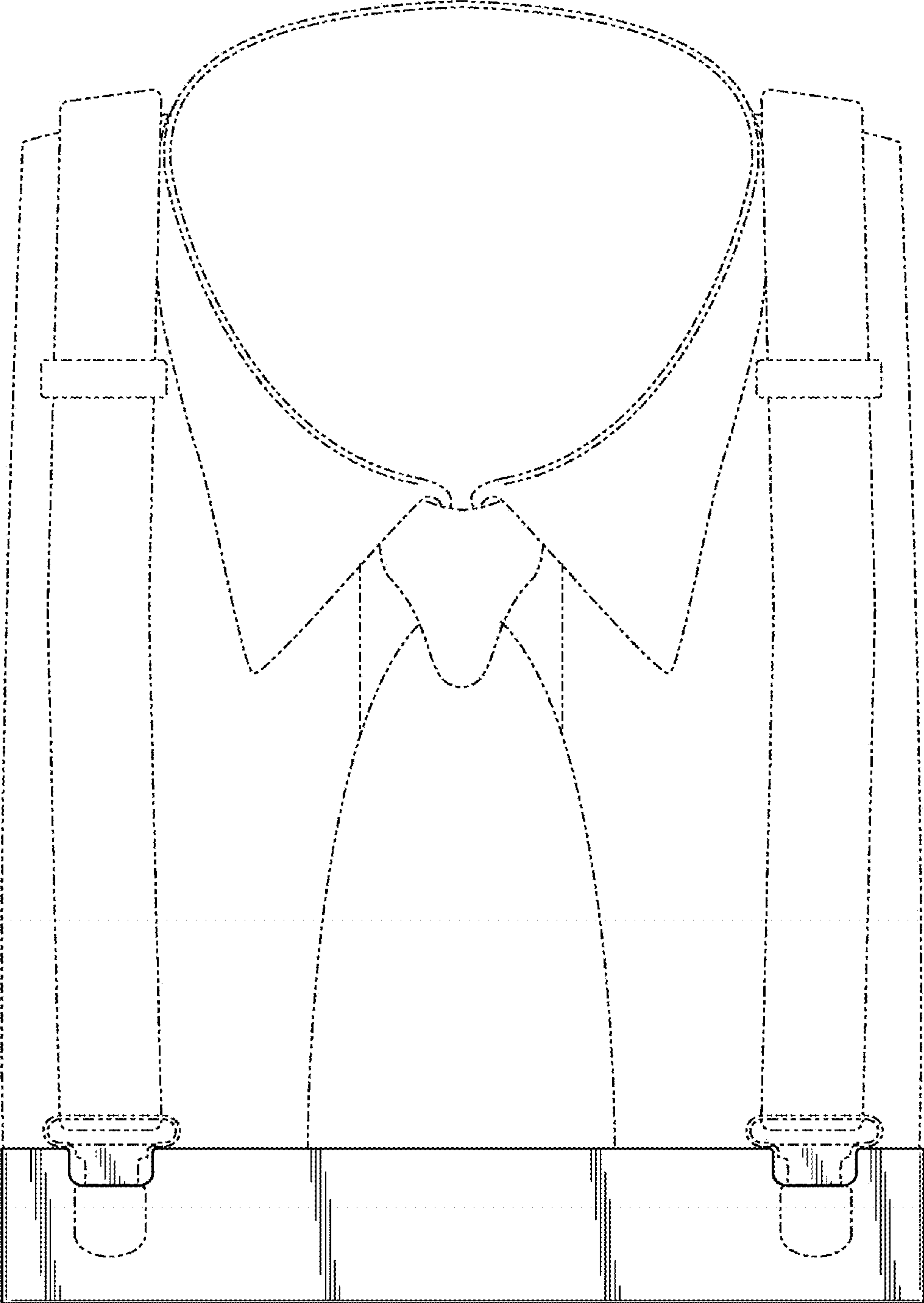


FIG. 8

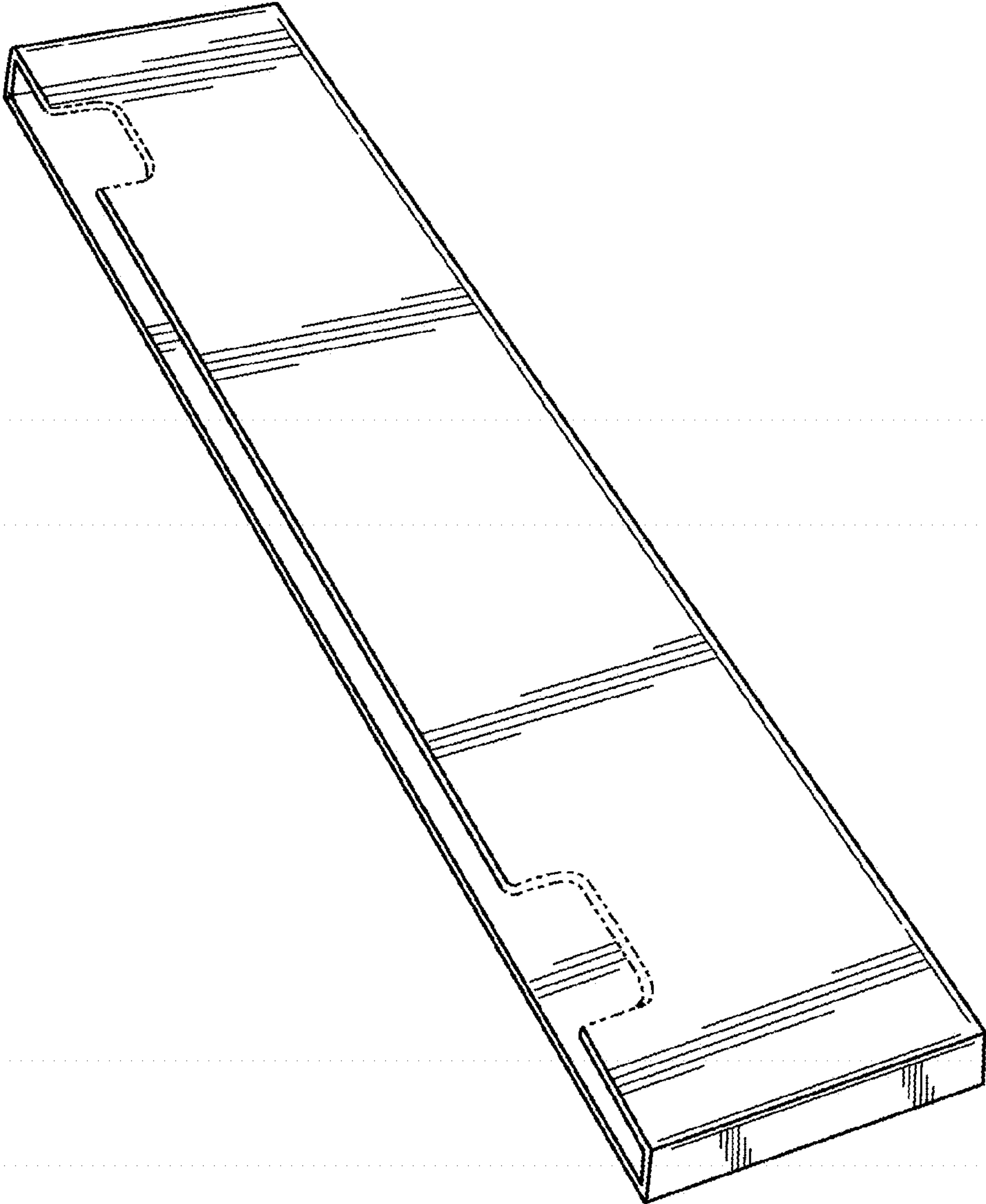


FIG. 9

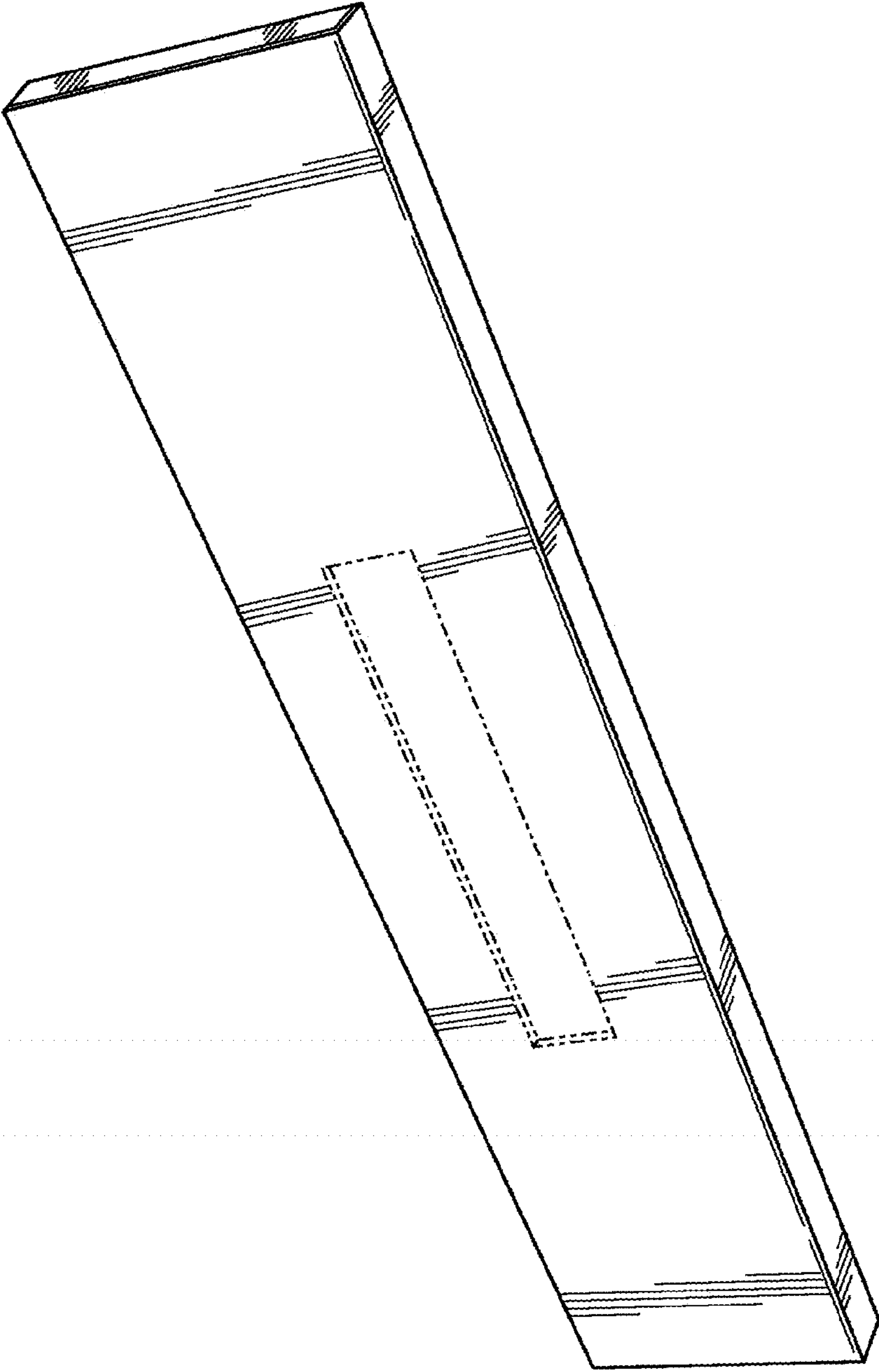


FIG. 10

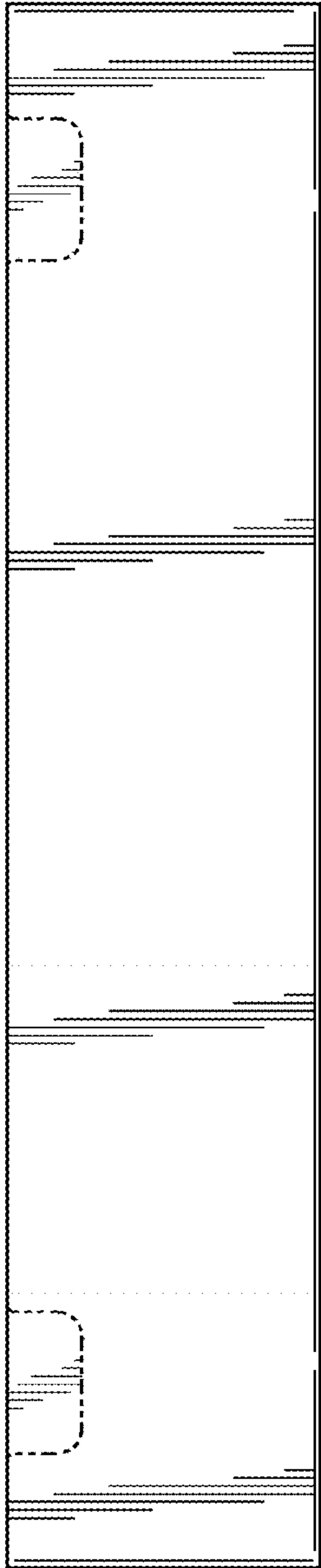


FIG. 11



FIG. 13

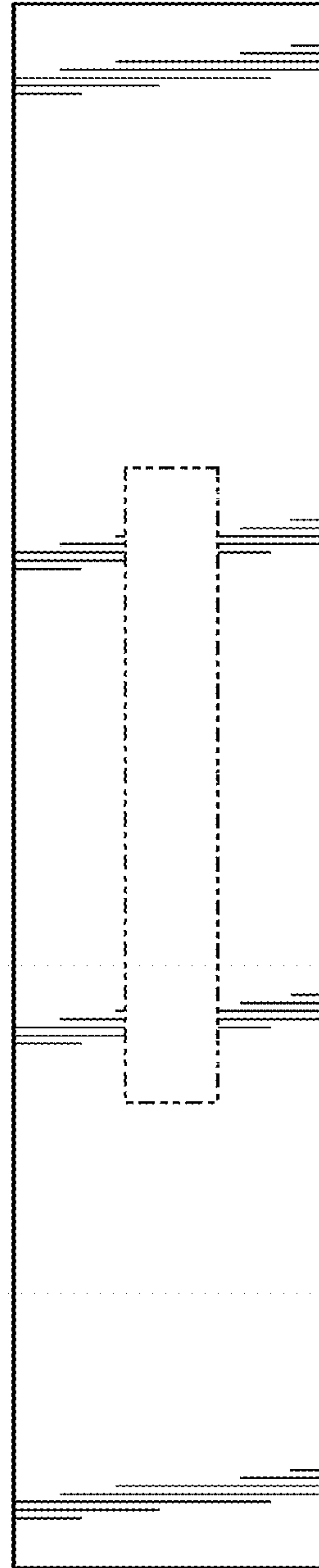


FIG. 12

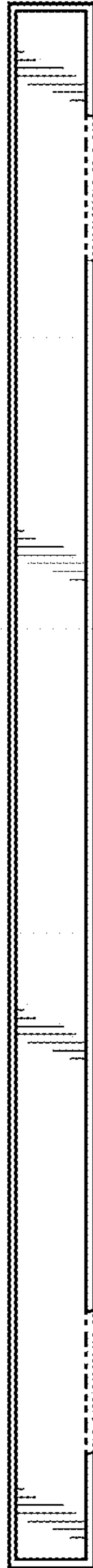


FIG. 14

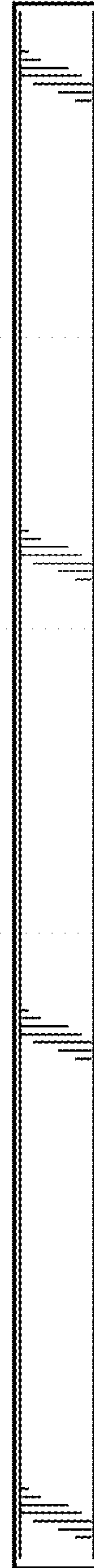


FIG. 15