



US00D719830S

(12) **United States Design Patent**
Uchida

(10) **Patent No.:** **US D719,830 S**

(45) **Date of Patent:** **** Dec. 23, 2014**

(54) **BOTTLE**

(71) Applicant: **The Procter & Gamble Company,**
Cincinnati, OH (US)

(72) Inventor: **Ryoko Uchida,** Tokyo (JP)

(73) Assignee: **The Procter & Gamble Company,**
Cincinnati, OH (US)

(**) Term: **14 Years**

(21) Appl. No.: **29/451,144**

(22) Filed: **Mar. 28, 2013**

(30) **Foreign Application Priority Data**

Sep. 28, 2012 (JP) 2012-023719

(51) **LOC (10) Cl.** **09-01**

(52) **U.S. Cl.**
USPC **D9/503**

(58) **Field of Classification Search**

CPC B65D 1/00; B65D 1/02; B65D 1/0223;
B65D 1/0246; B65D 41/00; B65D 41/02;
B65D 41/04; B65D 2501/00

USPC D9/434-435, 444-445, 451, 454, 500,
D9/503-505, 516, 529, 530, 537, 539, 549,
D9/552, 558, 571, 575, 682, 686,
D9/688-691; 215/316, 329, 379, 381-382;
220/288, 376, 660, 662, 669, 671, 675

See application file for complete search history.

(56) **References Cited**

U.S. PATENT DOCUMENTS

D124,535 S * 1/1941 McQuaid et al. D21/786
D135,236 S * 3/1943 Younghusband D4/116
3,118,573 A * 1/1964 Krogdsale 222/212
3,143,250 A * 8/1964 Pengue 222/182
D205,554 S * 8/1966 Earl D9/545
D208,885 S * 10/1967 Roehrich D9/503

D234,251 S * 2/1975 Edwards D9/500
D357,412 S * 4/1995 Vasas D9/503
D362,187 S * 9/1995 Thompson D9/500
D490,320 S * 5/2004 Guislain D9/542
D512,911 S 12/2005 Floyd et al.
D517,407 S 3/2006 Floyd et al.
7,185,827 B2 * 3/2007 Quintard et al. 239/55
D548,076 S 8/2007 Matsumura et al.
D568,745 S * 5/2008 Bradley et al. D9/500
D585,745 S * 2/2009 Honkawa D9/500
D590,263 S 4/2009 Matsumura et al.
D613,601 S * 4/2010 Yoneda D9/503
D664,445 S * 7/2012 Donnelly et al. D9/690
8,608,002 B2 12/2013 Hennebelle

FOREIGN PATENT DOCUMENTS

CN 3539260 6/2006
CN 3539261 6/2006

(Continued)

Primary Examiner — Ian Simmons

Assistant Examiner — Dana L Meyrow

(74) *Attorney, Agent, or Firm* — James F. McBride; Steven
W. Miller

(57) **CLAIM**

The ornamental design for a bottle, as shown and described.

DESCRIPTION

FIG. 1 is a perspective view of a bottle, embodying our new design;

FIG. 2 is a front view thereof;

FIG. 3 is a side view thereof;

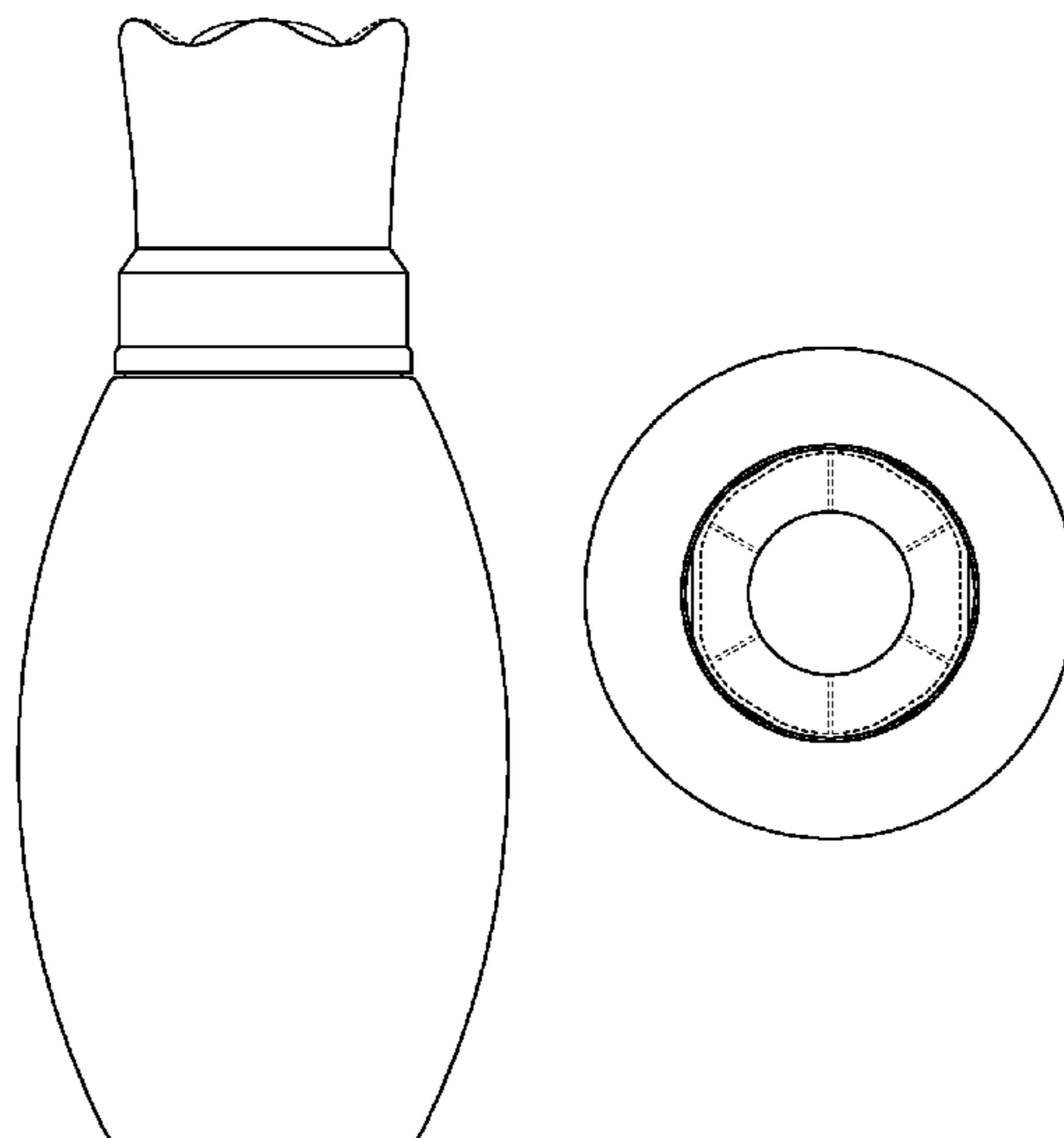
FIG. 4 is a top plan view thereof; and,

FIG. 5 is a bottom view thereof.

The broken lines shown in the drawings are for illustrative purposes only and form no part of the claimed design.

Back views and one of the side views are omitted because back views are identical to front views, and side views are identical to each other.

1 Claim, 4 Drawing Sheets



(56)

References Cited

FOREIGN PATENT DOCUMENTS

EM	000058813-0002	8/2013
EM	000060512-0001	8/2013
WO	DM/080515	* 3/2013

EM 000058813-0001 8/2013

* cited by examiner

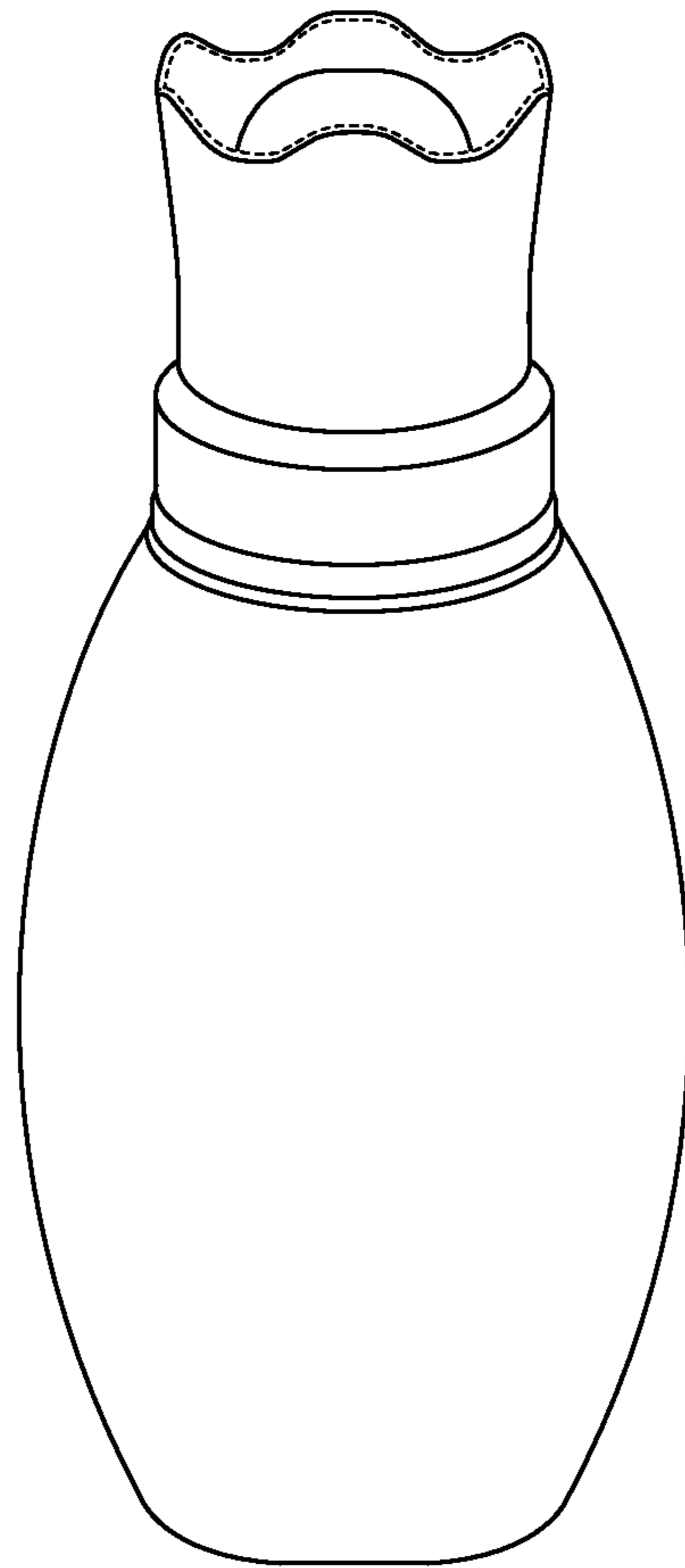


Fig. 1

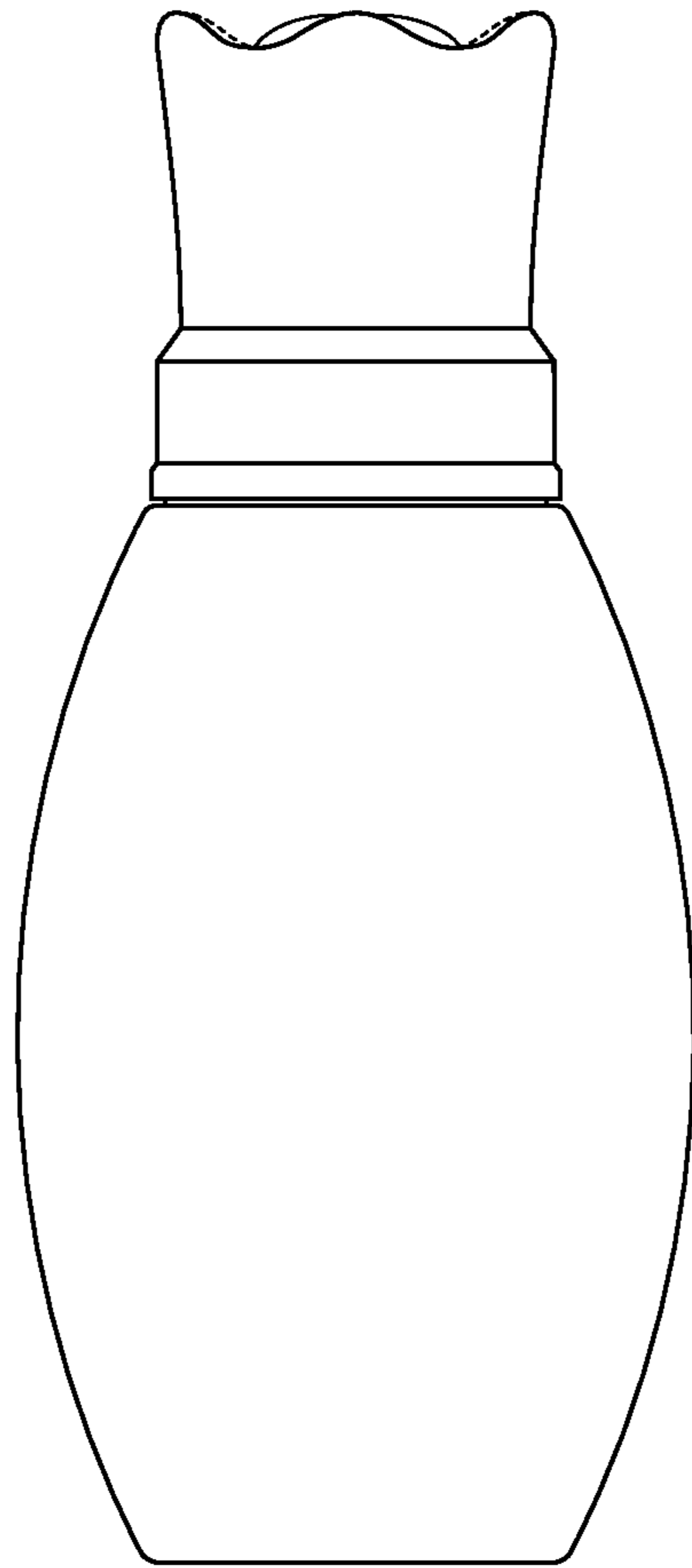


Fig. 2

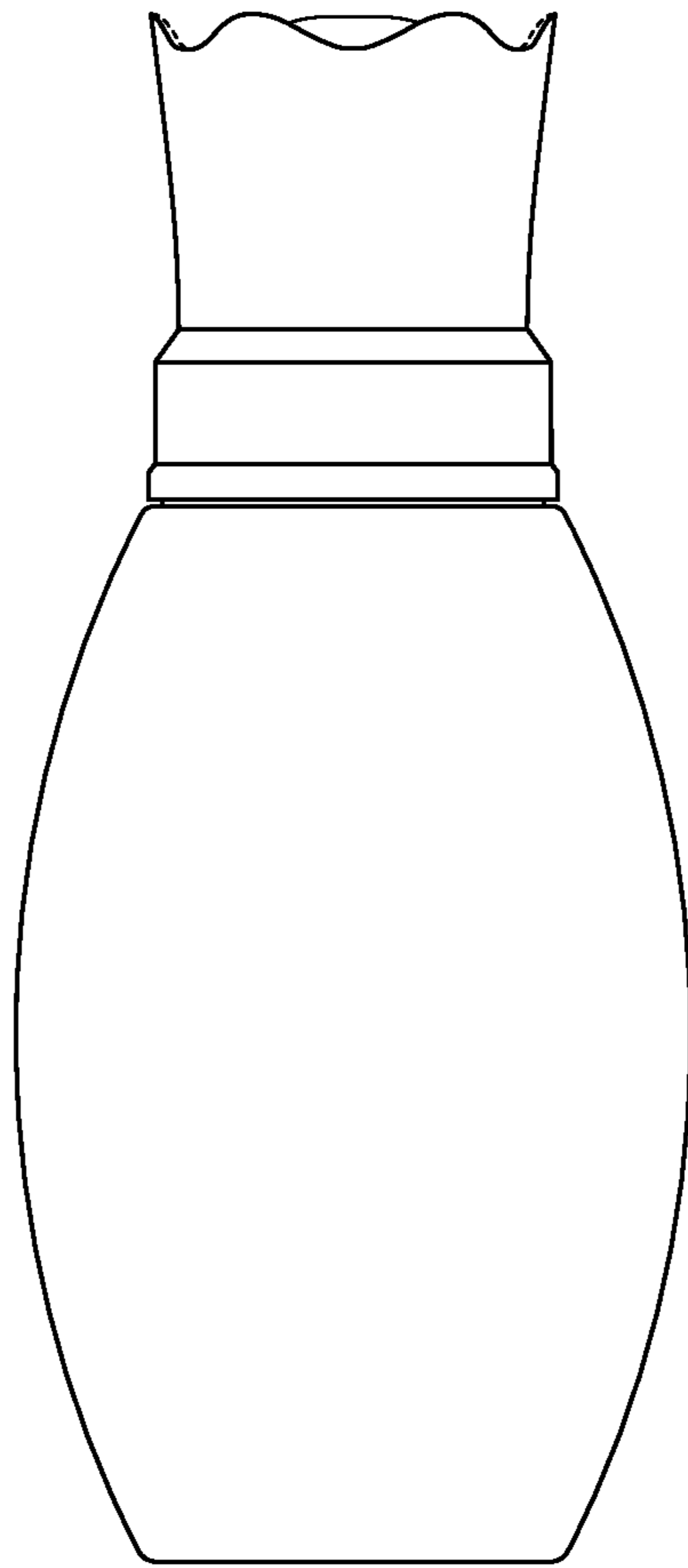


Fig. 3

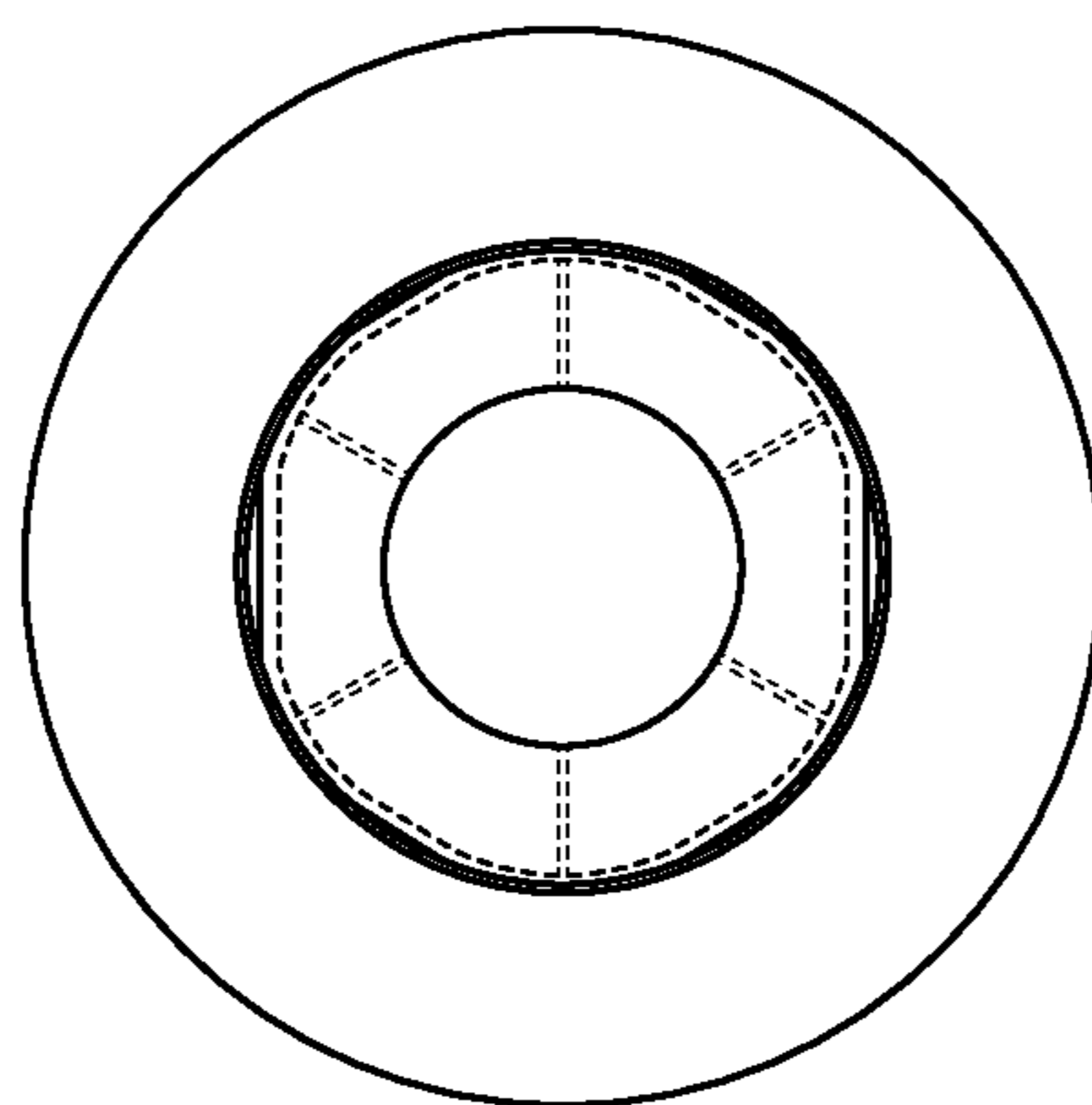


Fig. 4

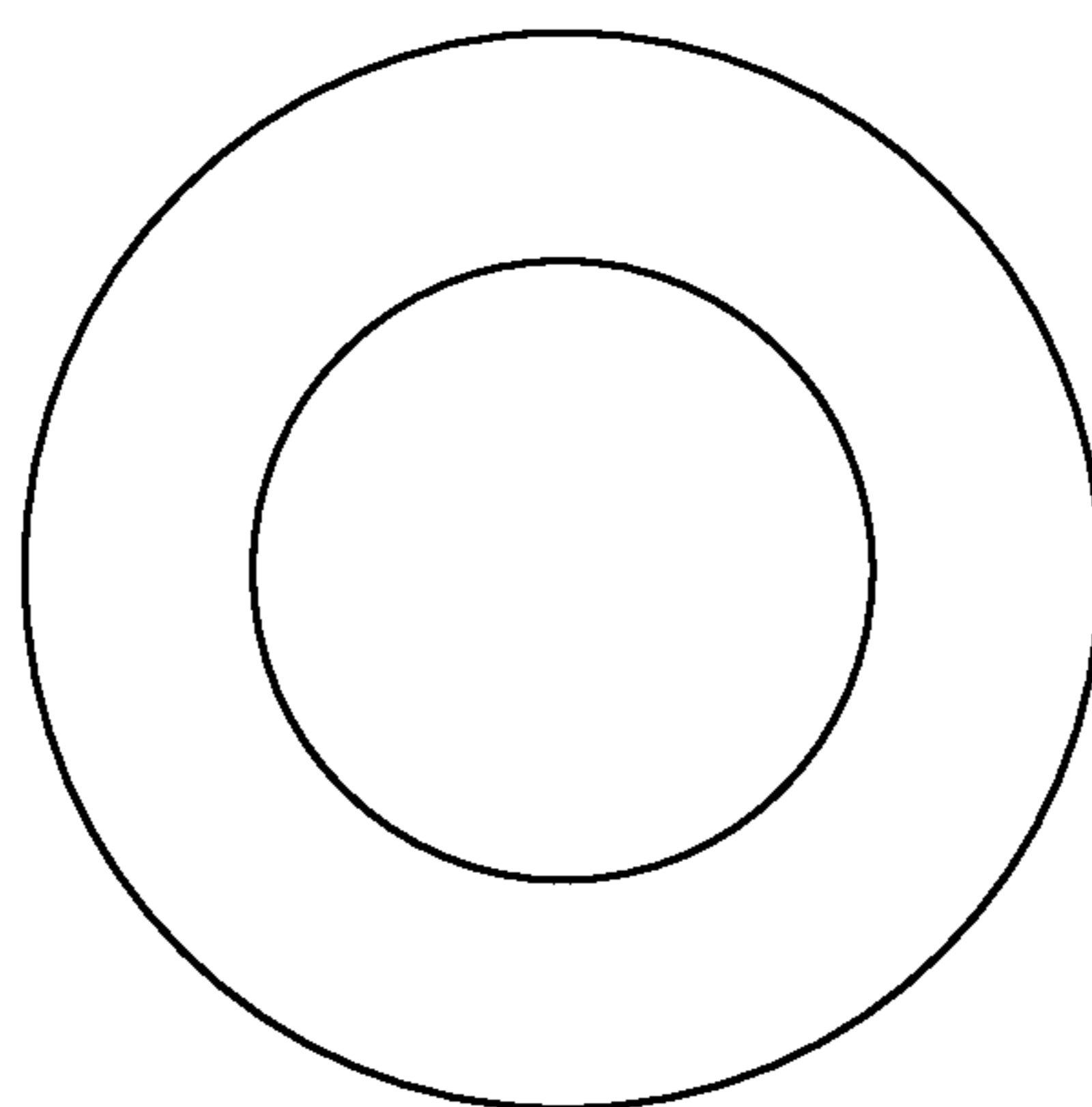


Fig. 5