



US00D719829S

(12) **United States Design Patent**  
**Ferber et al.**

(10) **Patent No.:** **US D719,829 S**  
(45) **Date of Patent:** **\*\* Dec. 23, 2014**

(54) **PACKAGING CONTAINER FOR AN AUDIO COMPONENT**

(75) Inventors: **Roman S. Ferber**, West Bloomfield, MI (US); **Hing Wah Tsang**, Ajax (CA); **Douglas James Mehak**, Stouffville (CA); **Andrew Steven Juhasz**, Ajax (CA); **Peixong Li**, Ajax (CA)

(73) Assignee: **FKA Distributing Co., LLC**, Commerce Township, MI (US)

(\*\*) Term: **14 Years**

(21) Appl. No.: **29/415,408**

(22) Filed: **Mar. 9, 2012**

(51) **LOC (10) Cl.** ..... **09-01**

(52) **U.S. Cl.**  
USPC ..... **D9/503**

(58) **Field of Classification Search**  
USPC ..... D9/428, 500, 502-503, 505, 516, 549, D9/558, 454; D7/602, 630, 523, 540, 584, D7/629; D26/6, 9-10, 22; 215/379, 382; 220/660, 669-673, 675  
See application file for complete search history.

(56) **References Cited**

**U.S. PATENT DOCUMENTS**

2,770,382 A \* 11/1956 Ritter ..... 215/42  
D329,782 S \* 9/1992 Narsutis ..... D7/629

D370,300 S \* 5/1996 Gottvald et al. .... D27/172  
D370,411 S \* 6/1996 Vernon, IV ..... D9/503  
5,887,720 A 3/1999 Lin  
D570,687 S \* 6/2008 Kelders et al. .... D9/500  
D607,727 S \* 1/2010 Takata et al. .... D9/500  
7,854,373 B2 12/2010 Chen  
2008/0149516 A1 6/2008 Bruzzese

**OTHER PUBLICATIONS**

www.Juicyelectronics.com, 2012, pp. 1-2.

\* cited by examiner

*Primary Examiner* — Ian Simmons

*Assistant Examiner* — Dana L Meyrow

(74) *Attorney, Agent, or Firm* — Brooks Kushman P.C.

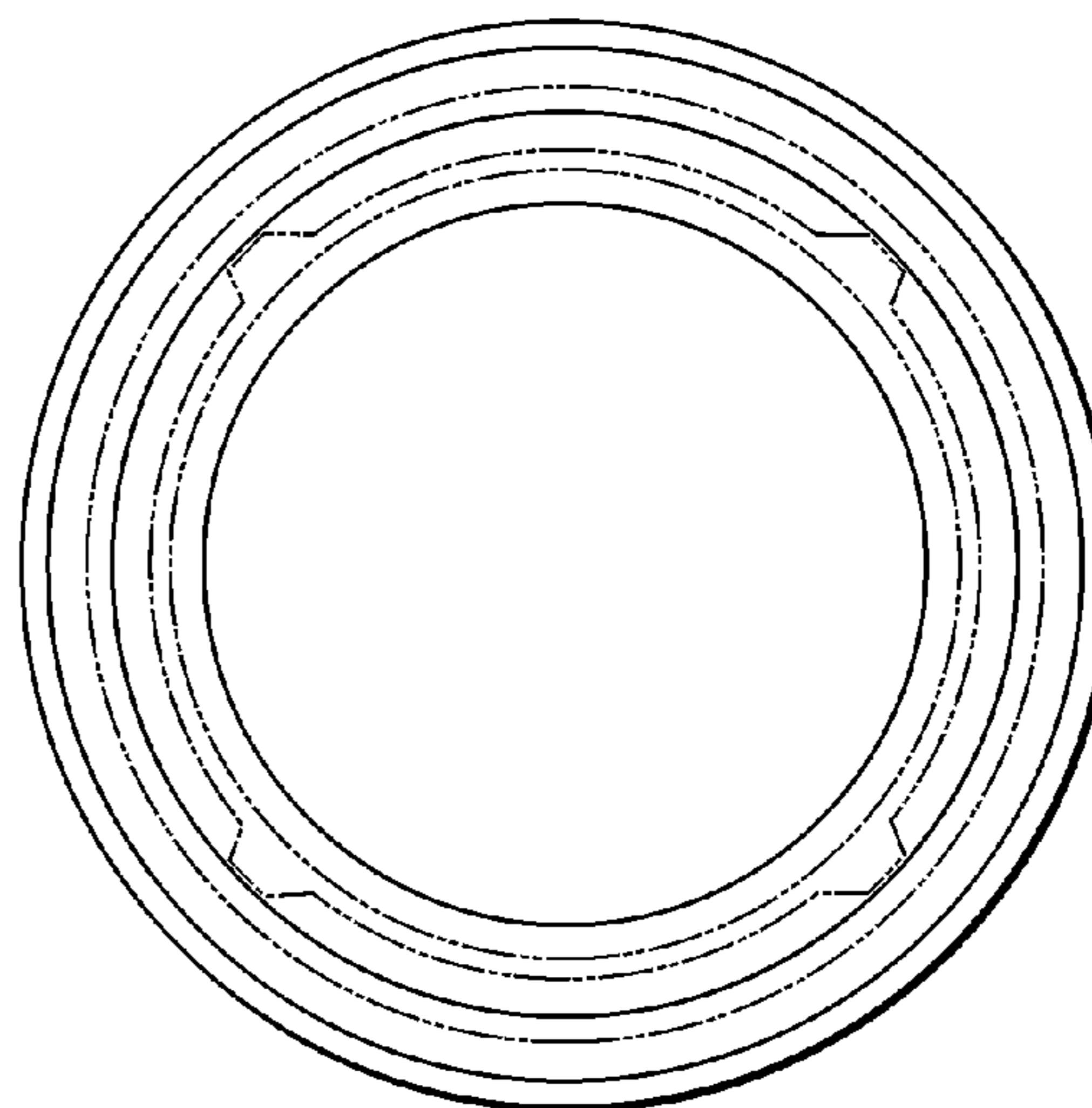
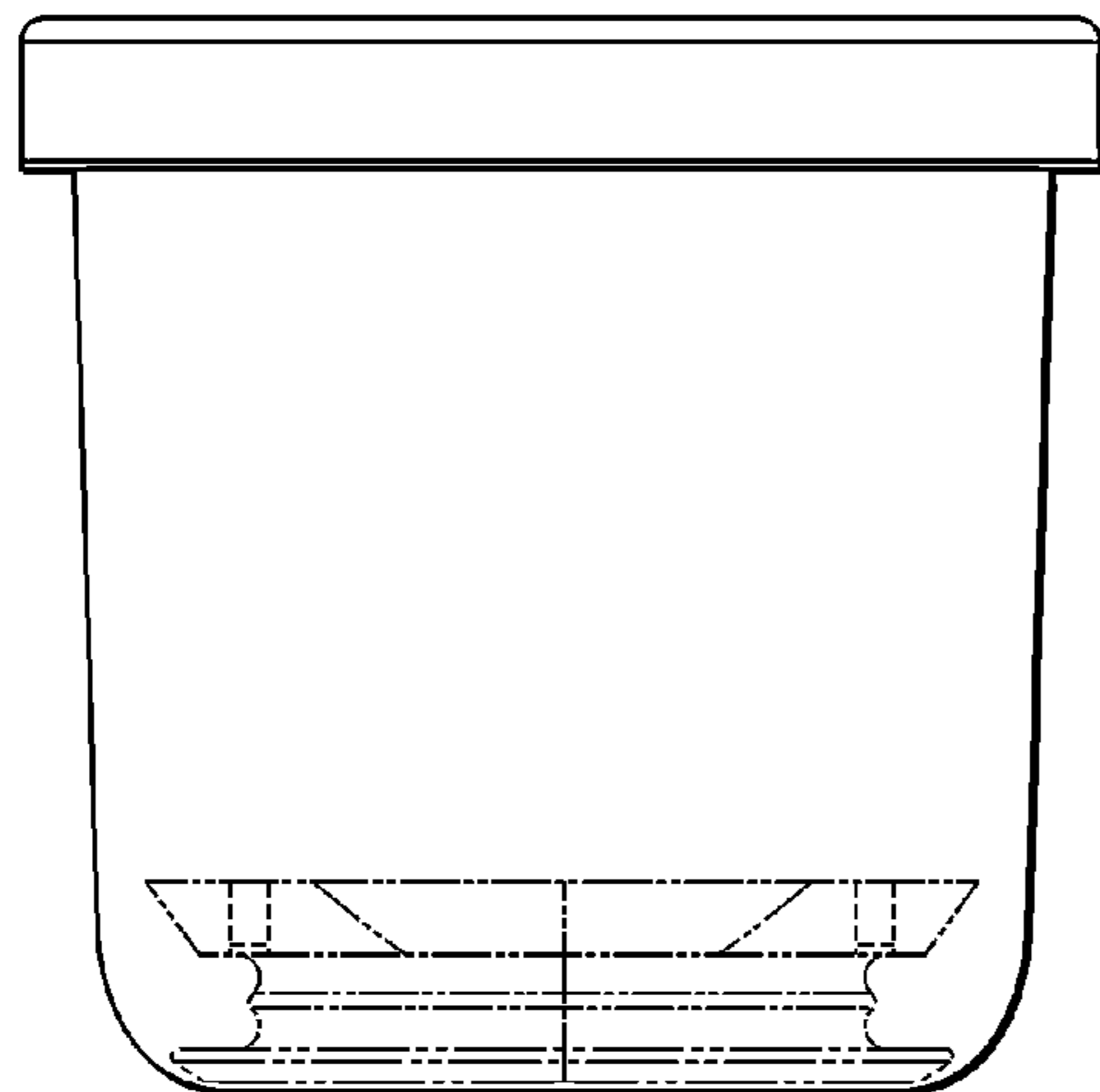
(57) **CLAIM**

The ornamental design for a packaging container for an audio component, as shown and described.

**DESCRIPTION**

FIG. 1 is a perspective view of a packaging container for an audio component according to our new design; FIG. 2 is a side view thereof; and, FIG. 3 is a top view thereof.  
The broken lines in the drawings showing the inside elements of the container for an audio component illustrate portions of the design that form no part of the claim. The broken lines on the top surface of the container closure in FIGS. 1 and 3 represent unclaimed lines on a claimed surface.

**1 Claim, 2 Drawing Sheets**



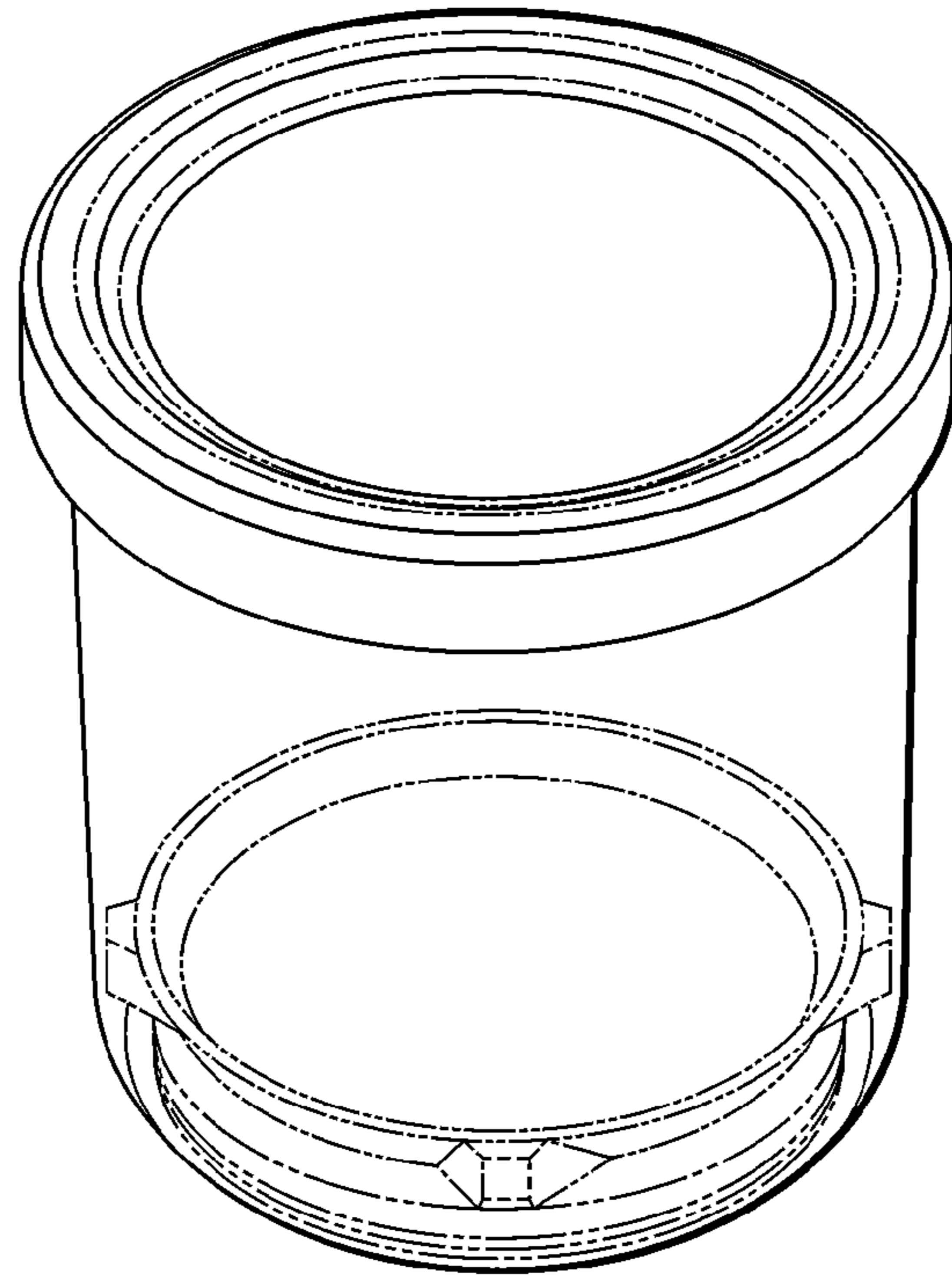


FIG. 1

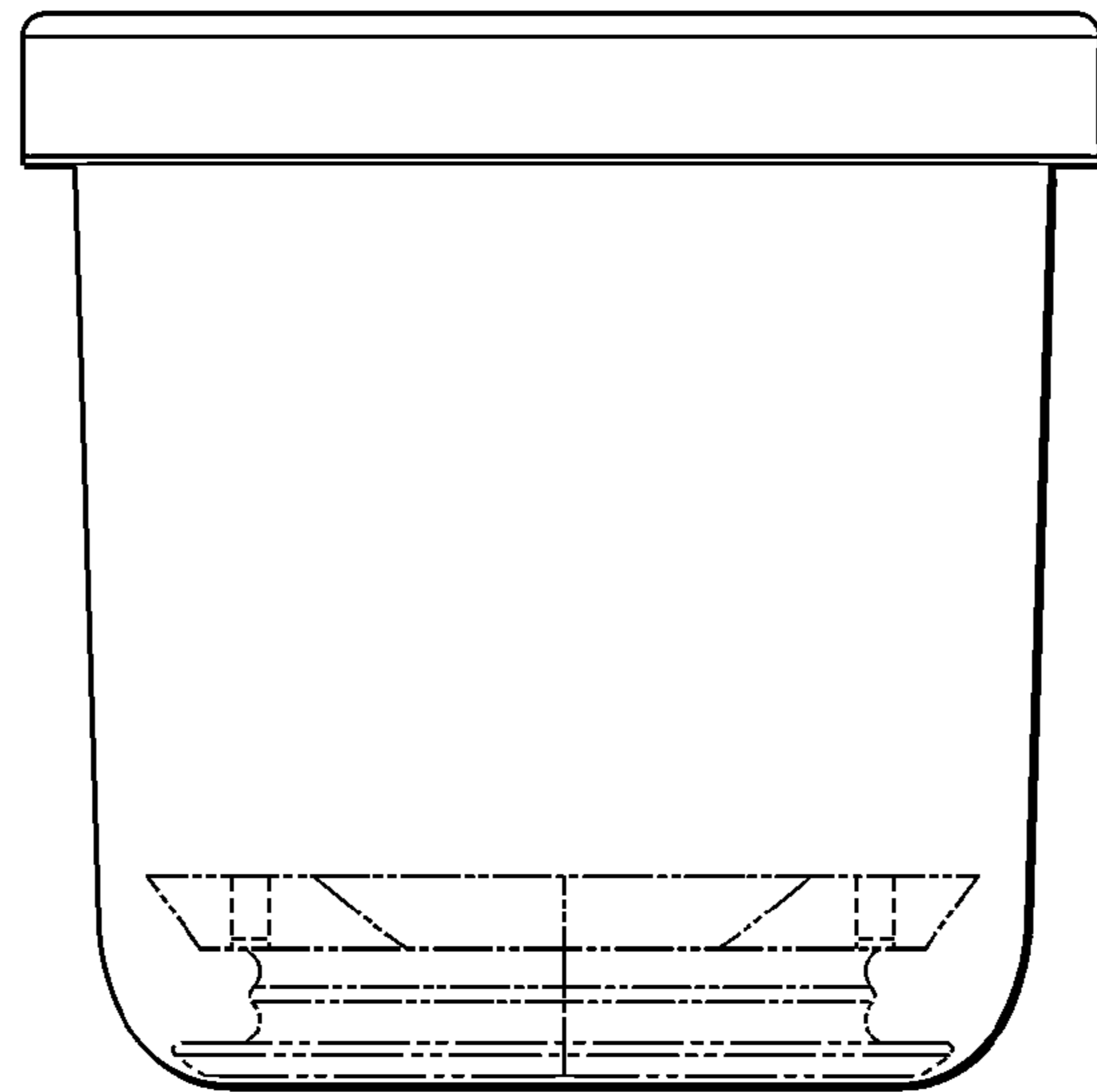


FIG. 2

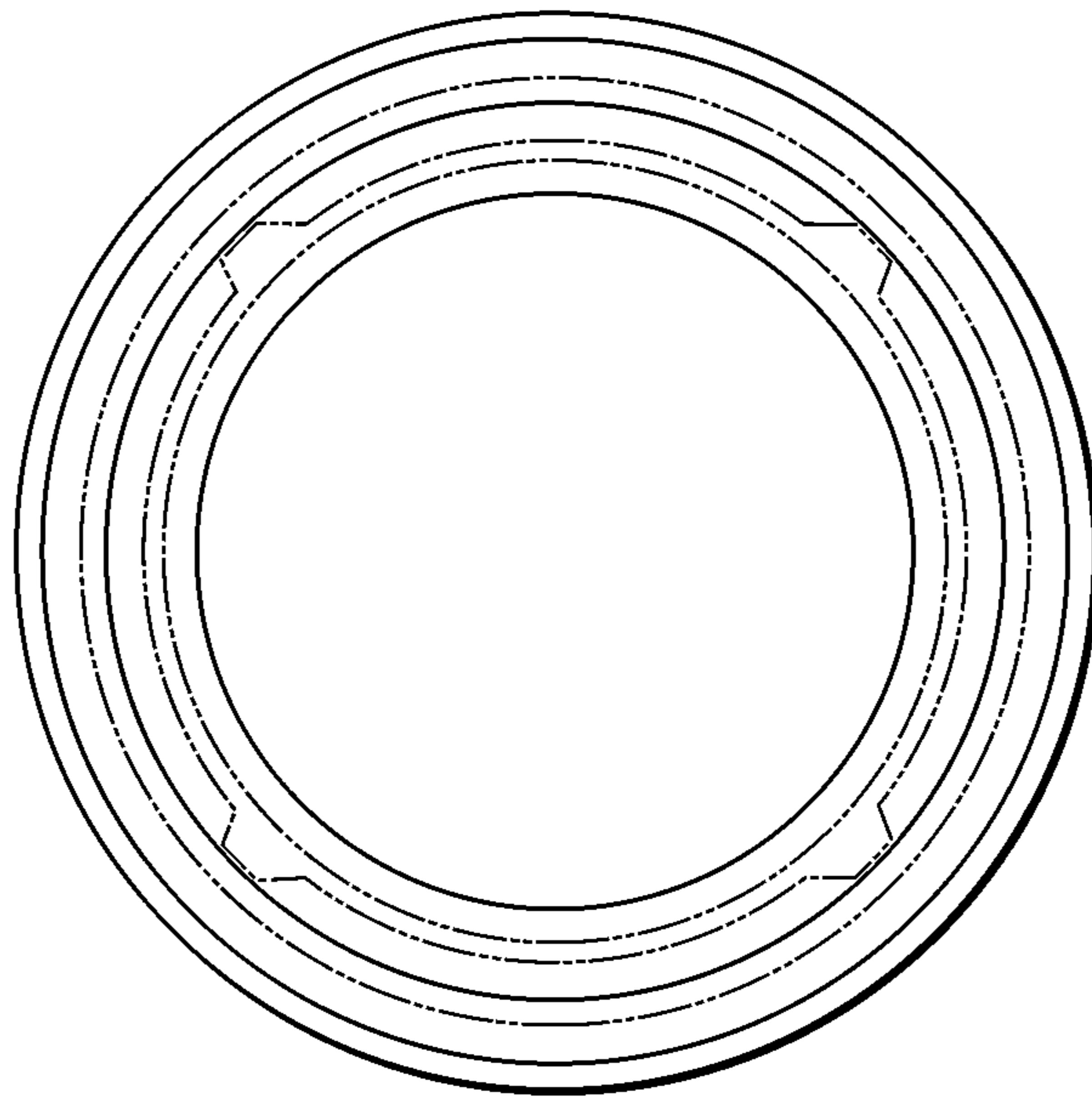


FIG. 3