



US00D719828S

(12) **United States Design Patent**
Henriksson

(10) **Patent No.:** **US D719,828 S**

(45) **Date of Patent:** **** *Dec. 23, 2014**

(54) **SNUFF CONTAINER LID**

(71) Applicant: **Nina Henriksson**, Stockholm (SE)

(72) Inventor: **Nina Henriksson**, Stockholm (SE)

(73) Assignee: **Swedish Match North Europe AB** (SE)

(*) Notice: This patent is subject to a terminal disclaimer.

(**) Term: **14 Years**

(21) Appl. No.: **29/445,572**

(22) Filed: **Feb. 13, 2013**

(51) **LOC (10) Cl.** **09-07**

(52) **U.S. Cl.**
USPC **D9/451**

(58) **Field of Classification Search**
USPC D7/514-520, 613, 619.2, 623, 628,
D7/392.1; D9/600, 667, 669, 500-504,
D9/516, 529, 434-435, 441, 444-445,
D9/451; 206/494, 457, 459.1, 459.5;
215/230, 400

See application file for complete search history.

(56) **References Cited**

U.S. PATENT DOCUMENTS

3,388,841	A	*	6/1968	McHardy et al.	D9/451
D242,768	S	*	12/1976	Frohling	D9/669
D314,912	S	*	2/1991	Rey Pascual	D9/500
D332,403	S	*	1/1993	Johnson, III	D9/451
D476,572	S	*	7/2003	Merritt	D9/504
D494,064	S	*	8/2004	Hook	D9/451
D494,474	S	*	8/2004	Houk et al.	D9/504
D509,432	S	*	9/2005	Hierzer et al.	D9/447
D510,524	S	*	10/2005	Houk et al.	D9/503
D512,636	S	*	12/2005	Pace	D9/504
D513,386	S	*	1/2006	Pace et al.	D9/504
D514,936	S	*	2/2006	Pace et al.	D9/504
D515,426	S	*	2/2006	Pace et al.	D9/504
D515,429	S	*	2/2006	Pace	D9/529
D515,928	S	*	2/2006	Pace	D9/504
D523,752	S	*	6/2006	Bried et al.	D9/504
D541,176	S	*	4/2007	Bried	D9/504

D581,809	S	*	12/2008	Wichowski	D9/504
D592,956	S	*	5/2009	Thiellier	D9/504
D603,261	S	*	11/2009	Arnell et al.	D9/453
D644,118	S	*	8/2011	Giles	D9/667
D644,119	S	*	8/2011	Giles	D9/667
D651,519	S	*	1/2012	Gibson et al.	D9/529
D669,953	S	*	10/2012	Gold	D21/796
D677,568	S	*	3/2013	Sina	D9/451

* cited by examiner

Primary Examiner — Sandra Morris

(74) *Attorney, Agent, or Firm* — Haynes and Boone LLP

(57) **CLAIM**

The ornamental design for a snuff container lid, as shown and described.

DESCRIPTION

FIG. 1 is a perspective view of a first embodiment of a snuff container lid according to the new design;
 FIG. 2 is a plan view of the snuff container lid according to the first embodiment;
 FIG. 3 is a perspective view of the snuff container lid illustrated in the environment of a snuff container according to the first embodiment;
 FIG. 4 is a perspective view of the snuff container lid illustrated in the environment of a snuff container according to the first embodiment;
 FIG. 5 is a bottom perspective view of the snuff container lid illustrated in the environment of the snuff container lid according to the first embodiment;
 FIG. 6 is a bottom perspective view of the snuff container lid illustrated in the environment of the snuff container lid according to the first embodiment;
 FIG. 7 is a front view of the snuff container lid according to the first embodiment;
 FIG. 8 is a sectional view along the line 8 of FIG. 7 of the snuff container lid according to the first embodiment;
 FIG. 9 is a sectional view along the line 8 of FIG. 7 of the snuff container lid according to the first embodiment;
 FIG. 10 is a side view of the snuff container lid according to the first embodiment;
 FIG. 11 is a rear side view of the snuff container lid according to the first embodiment;

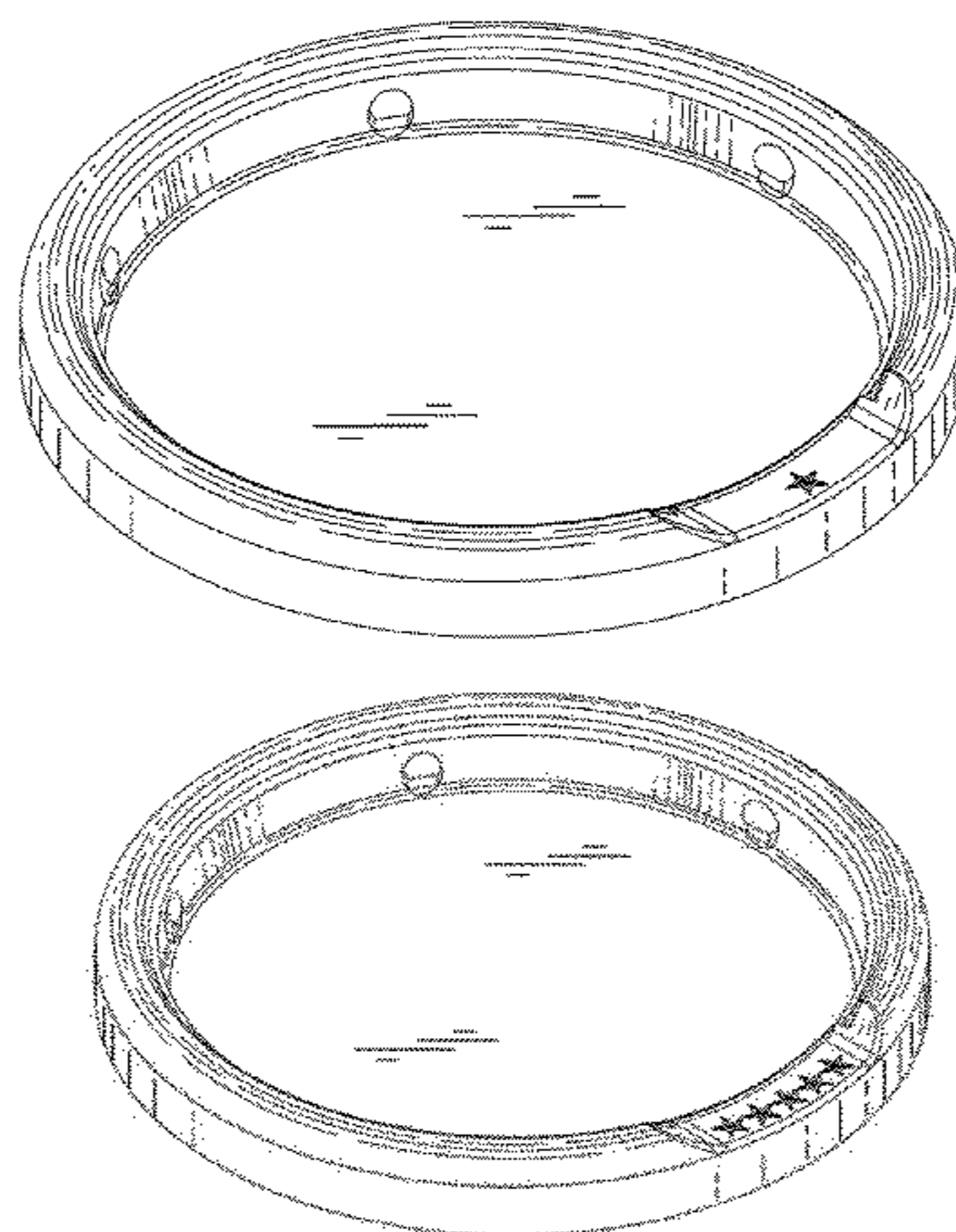


FIG. 12 is a bottom view of the snuff container lid according to the first embodiment;
FIG. 13 is a bottom view of the snuff container lid according to the first embodiment;
FIG. 14 is a perspective view of a second embodiment of a snuff container lid according to the new design;
FIG. 15 is a plan view of the snuff container lid according to the second embodiment;
FIG. 16 is a perspective view of the snuff container lid illustrated in the environment of a snuff container according to the second embodiment;
FIG. 17 is a perspective view of the snuff container lid illustrated in the environment of a snuff container according to the second embodiment;
FIG. 18 is a bottom perspective view of the snuff container lid illustrated in the environment of the snuff container lid according to the second embodiment;
FIG. 19 is a bottom perspective view of the snuff container lid illustrated in the environment of the snuff container lid according to the second embodiment;
FIG. 20 is a front view of the snuff container lid according to the second embodiment;
FIG. 21 is a sectional view along the line 21 of FIG. 20 of the snuff container lid according to the second embodiment;
FIG. 22 is a sectional view along the line 21 of FIG. 20 of the snuff container lid according to the second embodiment;
FIG. 23 is a side view of the snuff container lid according to the second embodiment;
FIG. 24 is a rear side view of the snuff container lid according to the second embodiment;
FIG. 25 is a bottom view of the snuff container lid according to the second embodiment;
FIG. 26 is a bottom view of the snuff container lid according to the second embodiment;
FIG. 27 is a perspective view of a third embodiment of a snuff container lid according to the new design;
FIG. 28 is a plan view of the snuff container lid according to the third embodiment;
FIG. 29 is a perspective view of the snuff container lid illustrated in the environment of a snuff container according to the third embodiment;
FIG. 30 is a perspective view of the snuff container lid illustrated in the environment of a snuff container according to the third embodiment;
FIG. 31 is a bottom perspective view of the snuff container lid illustrated in the environment of the snuff container lid according to the third embodiment;

FIG. 32 is a bottom perspective view of the snuff container lid illustrated in the environment of the snuff container lid according to the third embodiment;
FIG. 33 is a front view of the snuff container lid according to the third embodiment;
FIG. 34 is a sectional view along the line 34 of FIG. 33 of the snuff container lid according to the third embodiment;
FIG. 35 is a sectional view along the line 34 of FIG. 33 of the snuff container lid according to the third embodiment;
FIG. 36 is a side view of the snuff container lid according to the third embodiment;
FIG. 37 is a rear side view of the snuff container lid according to the third embodiment;
FIG. 38 is a bottom view of the snuff container lid according to the third embodiment;
FIG. 39 is a bottom view of the snuff container lid according to the third embodiment;
FIG. 40 is a perspective view of a fourth embodiment of a snuff container lid according to the new design;
FIG. 41 is a plan view of the snuff container lid according to the fourth embodiment;
FIG. 42 is a perspective view of the snuff container lid illustrated in the environment of a snuff container according to the fourth embodiment;
FIG. 43 is a perspective view of the snuff container lid illustrated in the environment of a snuff container according to the fourth embodiment;
FIG. 44 is a bottom perspective view of the snuff container lid illustrated in the environment of the snuff container lid according to the fourth embodiment;
FIG. 45 is a bottom perspective view of the snuff container lid illustrated in the environment of the snuff container lid according to the fourth embodiment;
FIG. 46 is a front view of the snuff container lid according to the fourth embodiment;
FIG. 47 is a sectional view along the line 47 of FIG. 46 of the snuff container lid according to the fourth embodiment;
FIG. 48 is a sectional view along the line 47 of FIG. 46 of the snuff container lid according to the fourth embodiment;
FIG. 49 is a side view of the snuff container lid according to the fourth embodiment;
FIG. 50 is a rear side view of the snuff container lid according to the fourth embodiment;
FIG. 51 is a bottom view of the snuff container lid according to the fourth embodiment; and,
FIG. 52 is a bottom view of the snuff container lid according to the fourth embodiment.

1 Claim, 28 Drawing Sheets

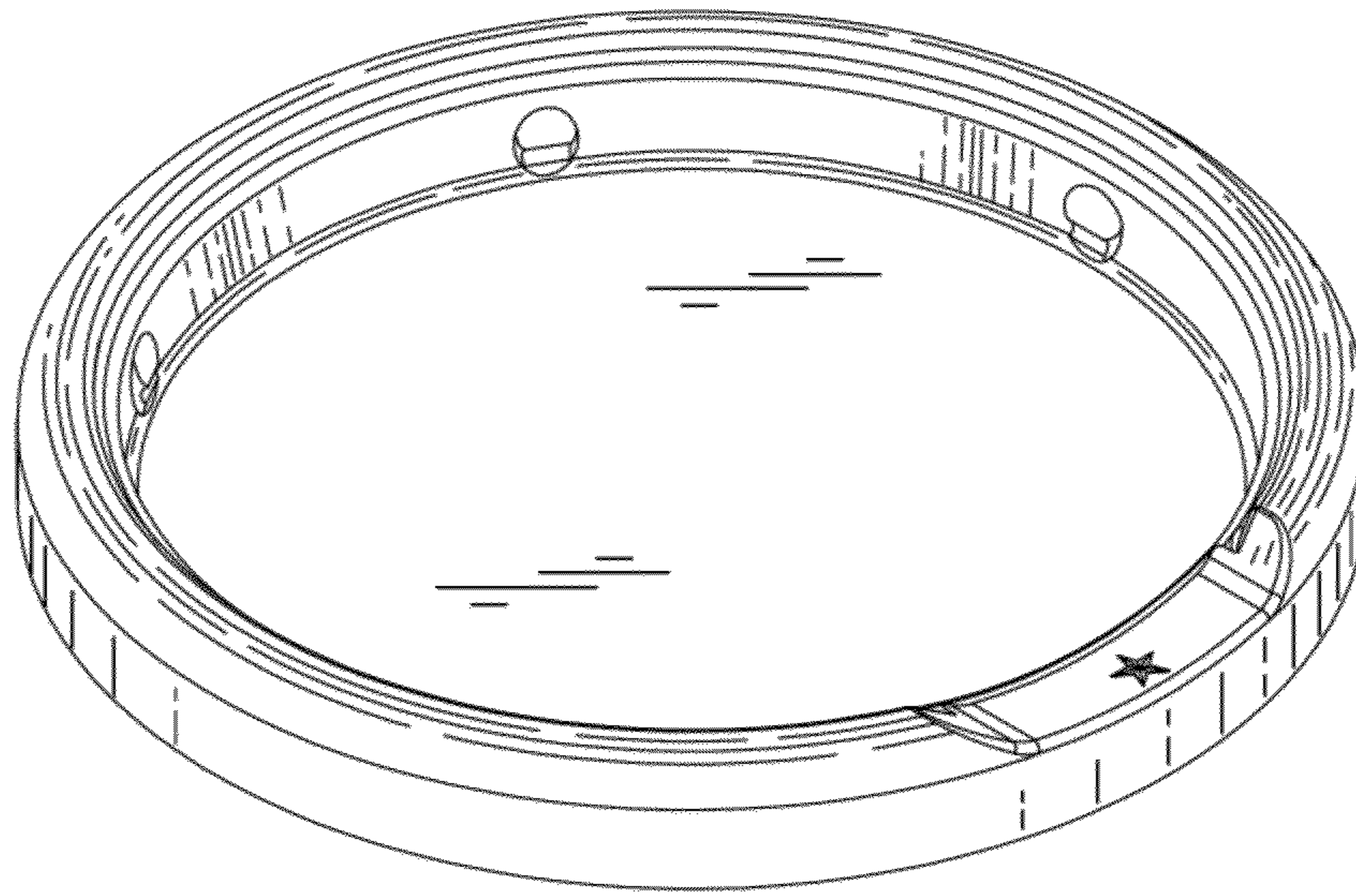


FIG. 1

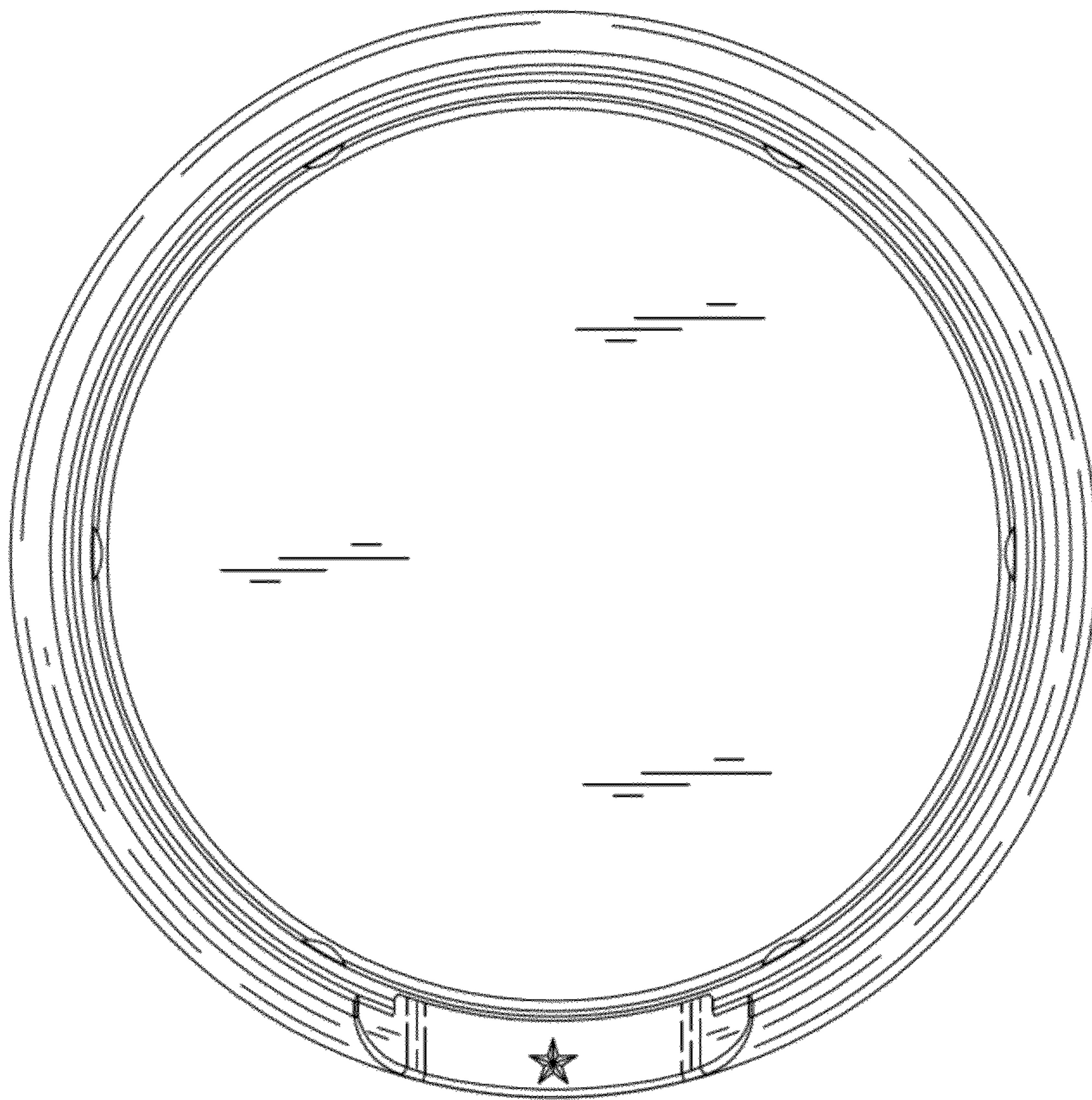


FIG. 2

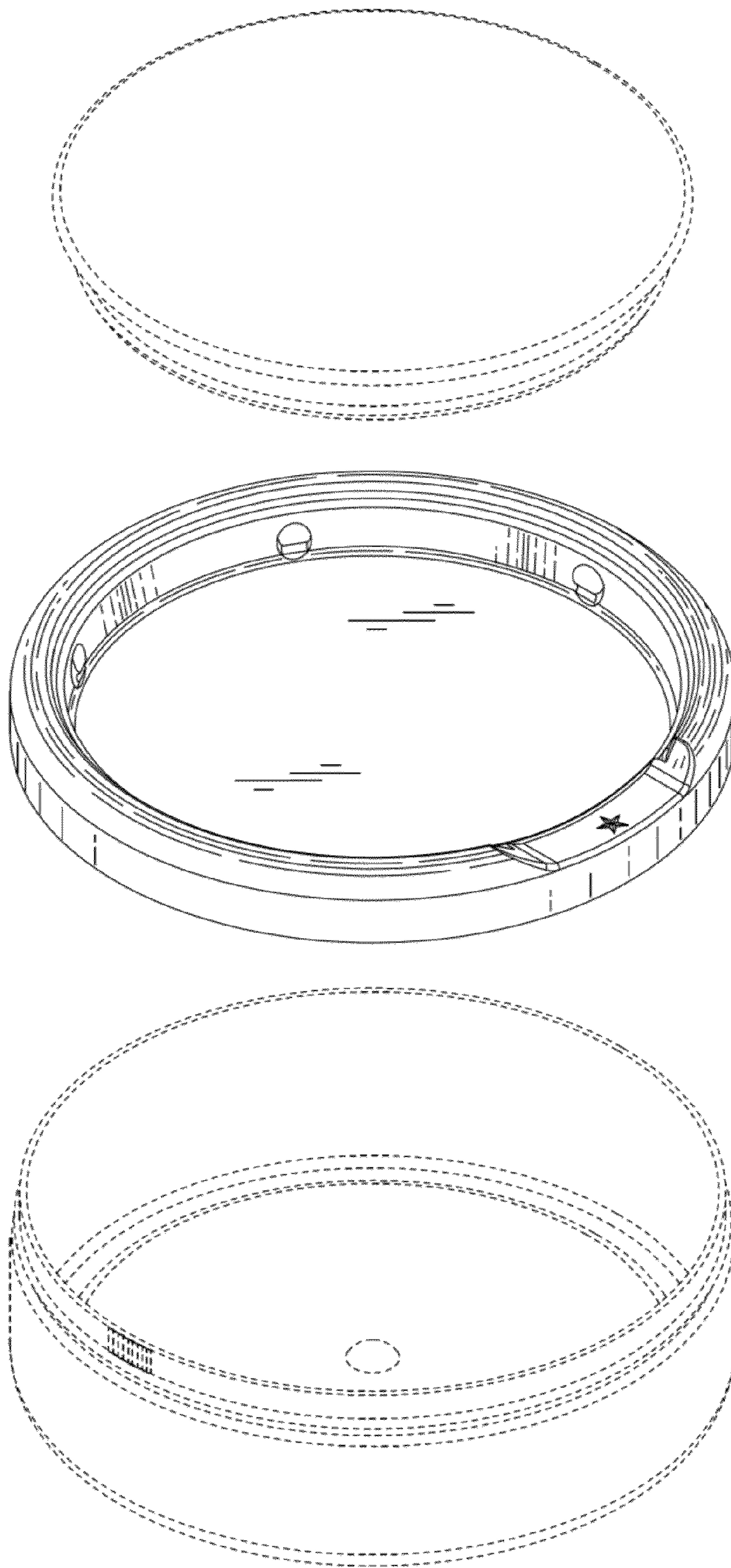


FIG. 3

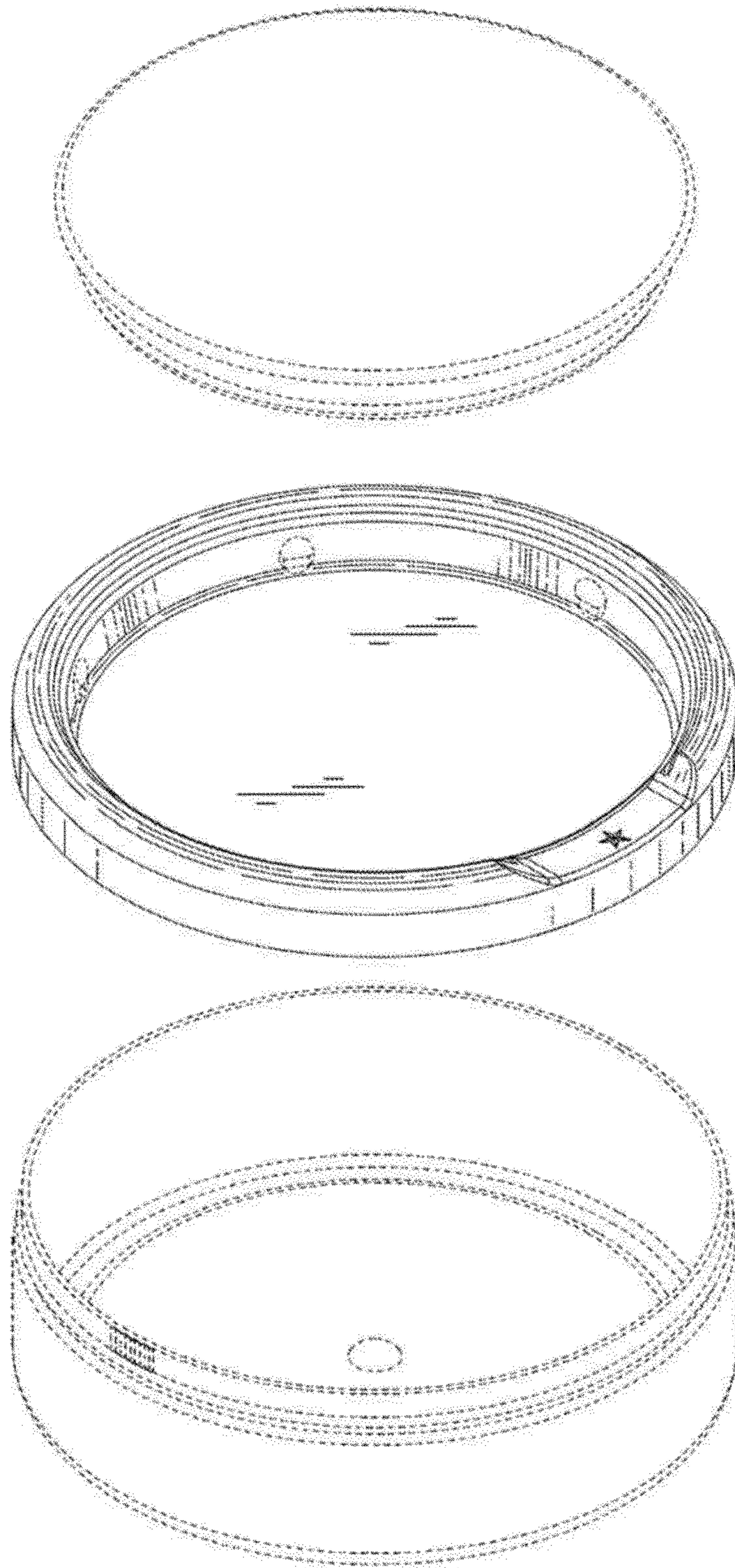


FIG. 4

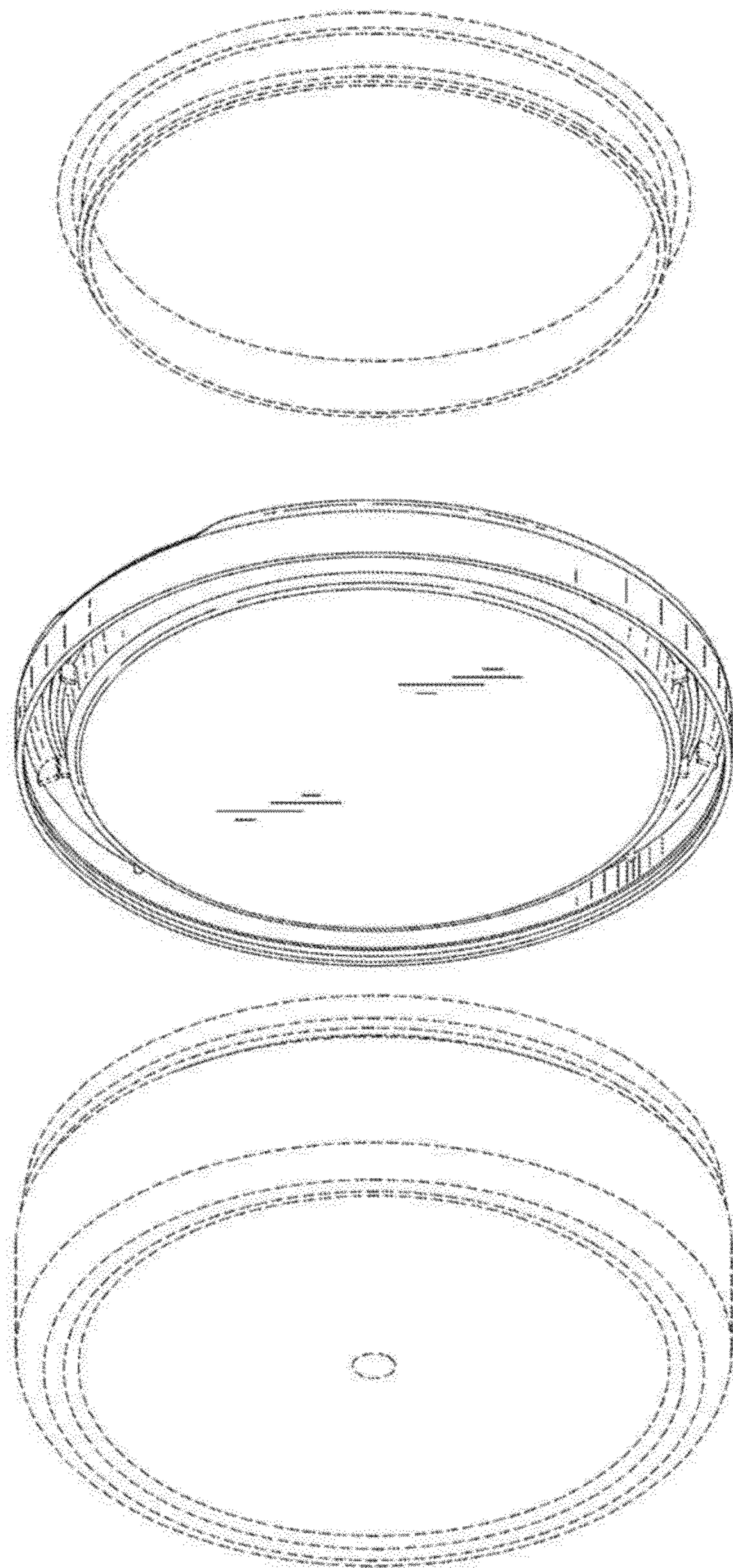


FIG. 5

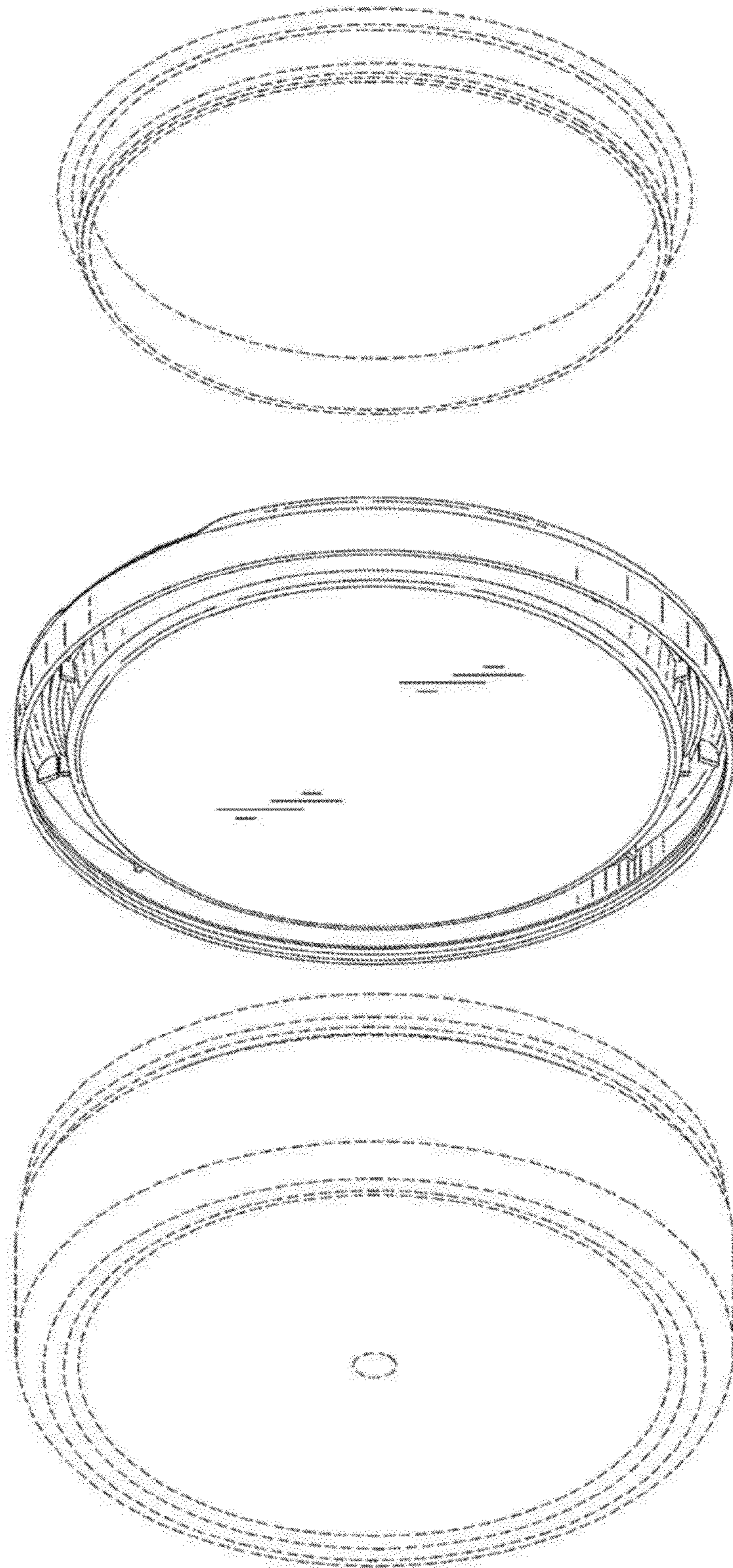


FIG. 6

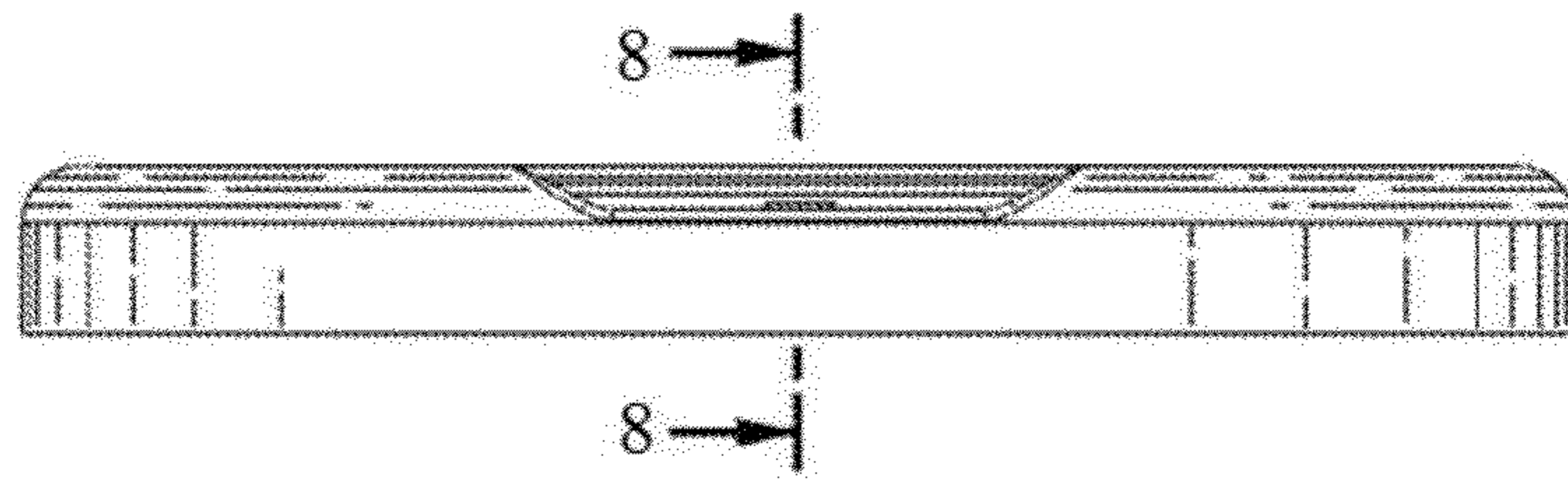


FIG. 7

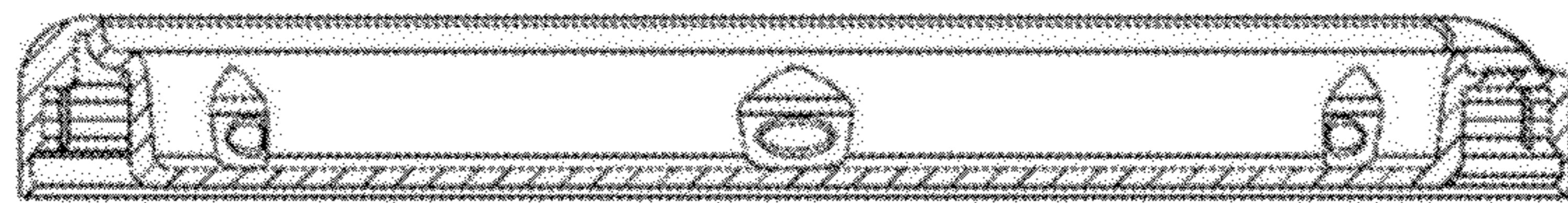


FIG. 8

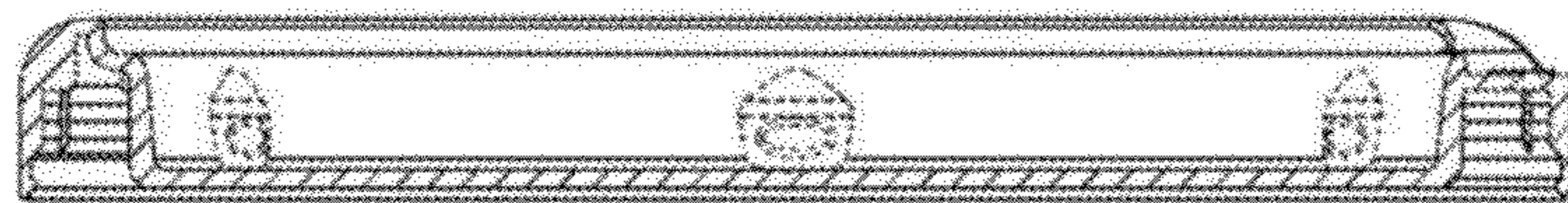


FIG. 9

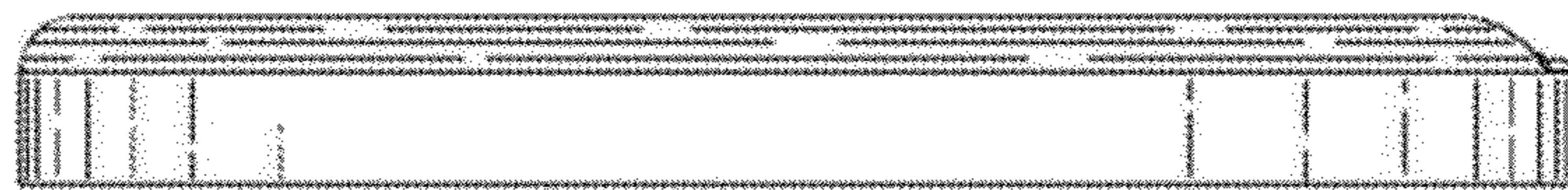


FIG. 10

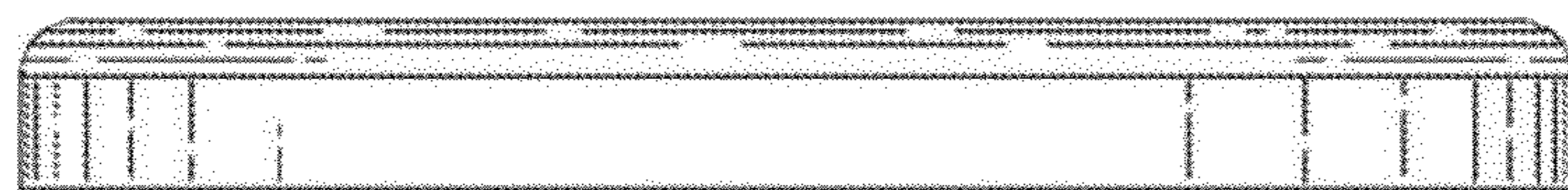


FIG. 11

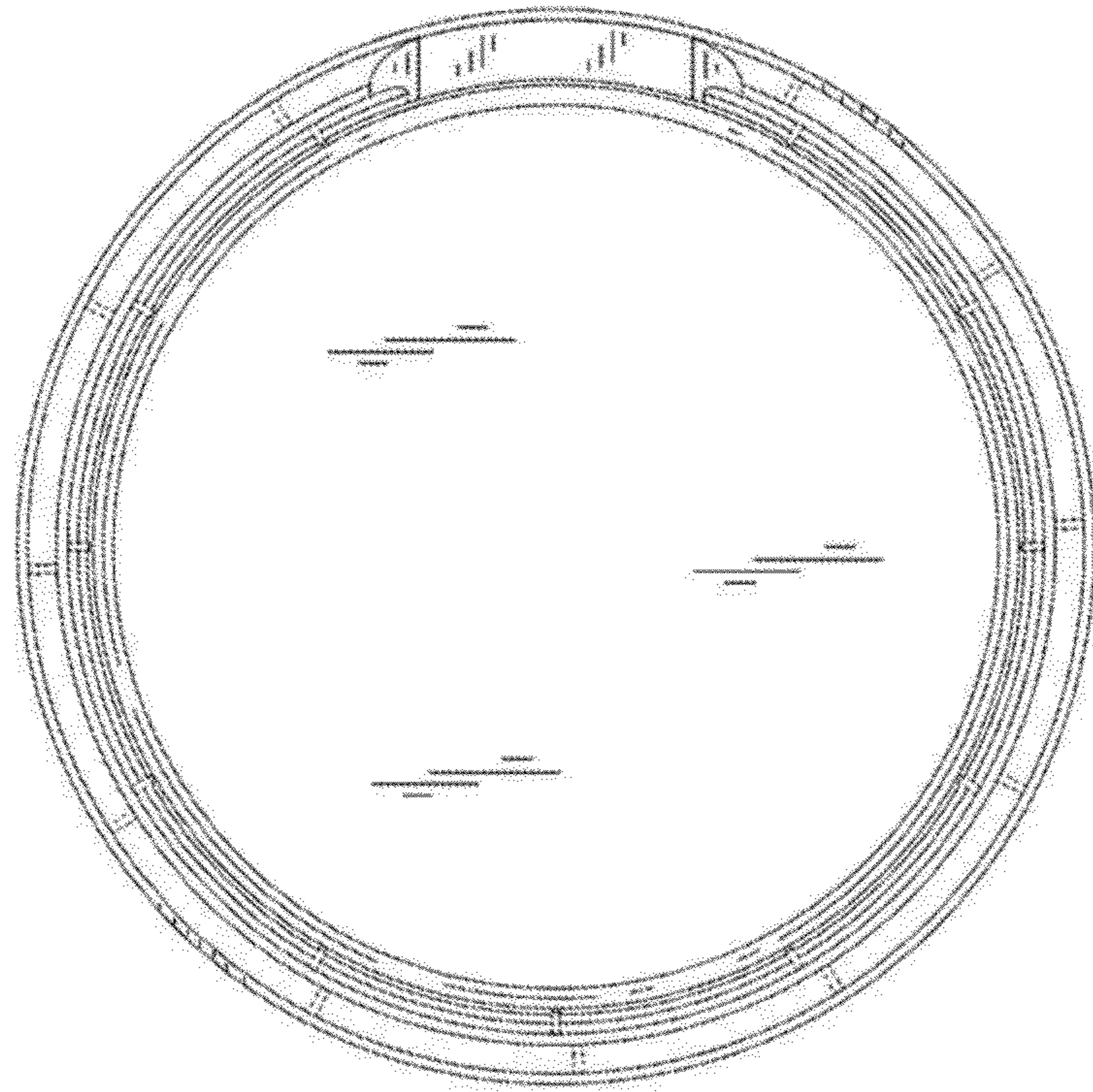


FIG. 12

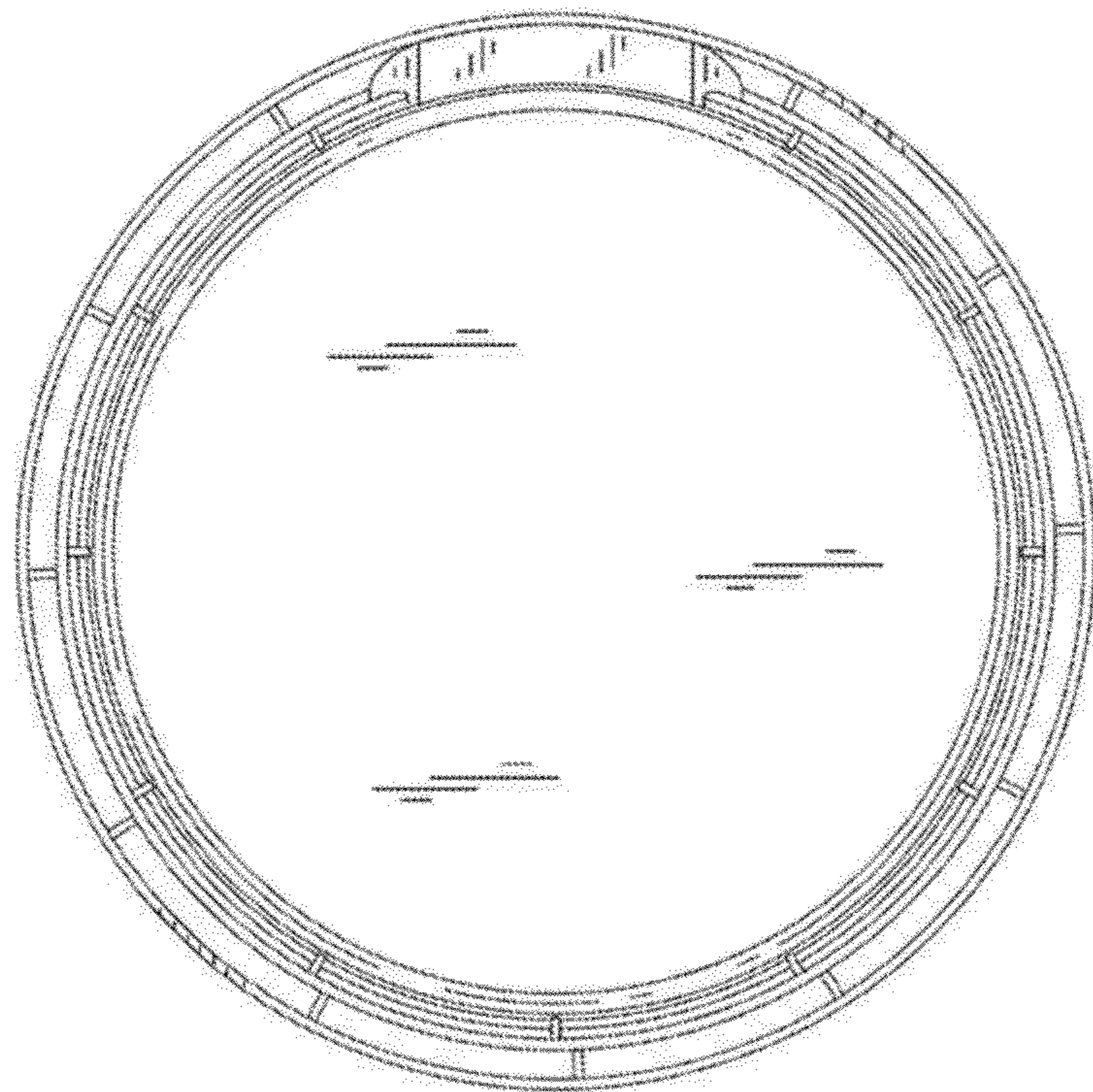


FIG. 13

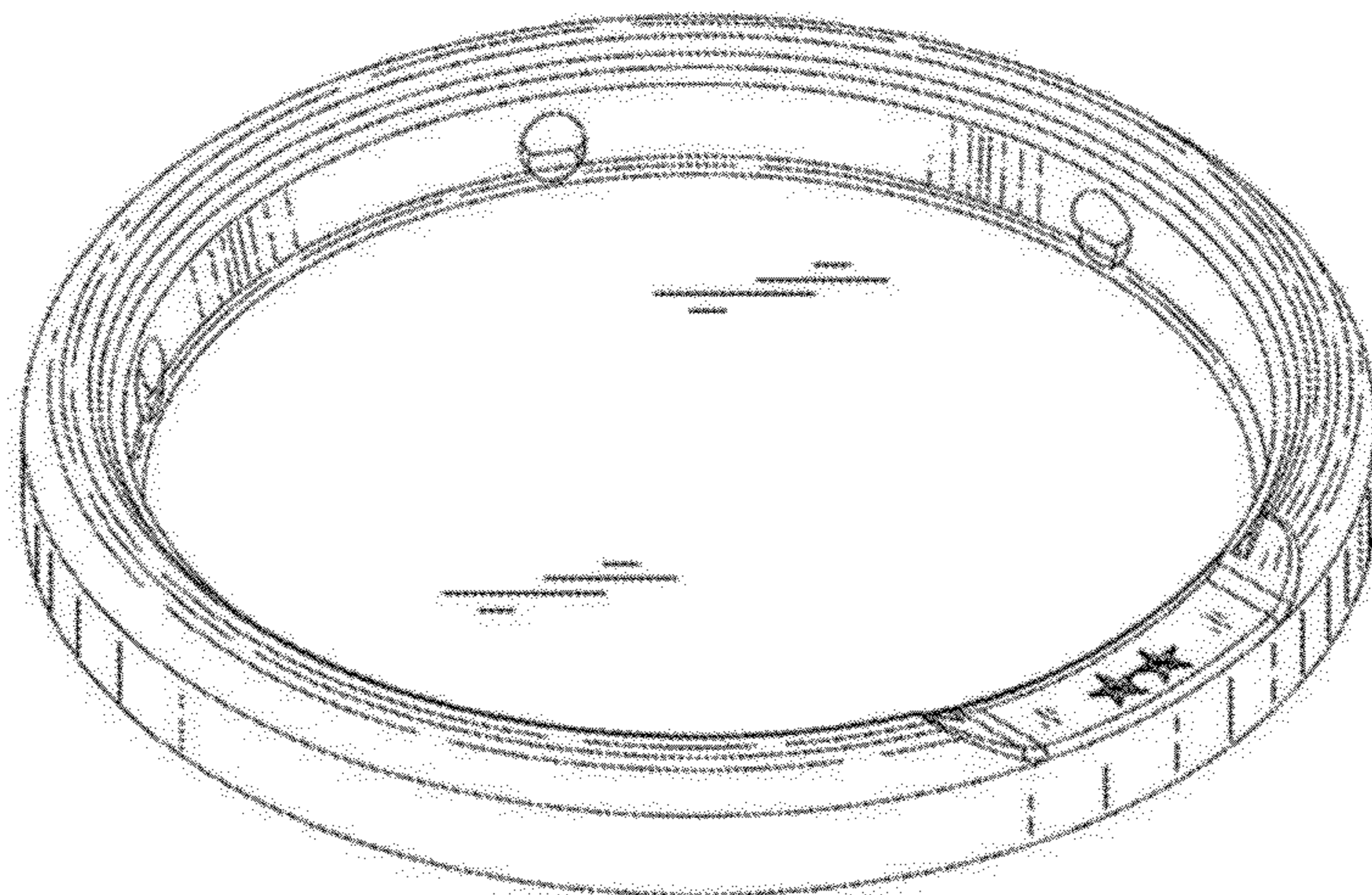


FIG. 14

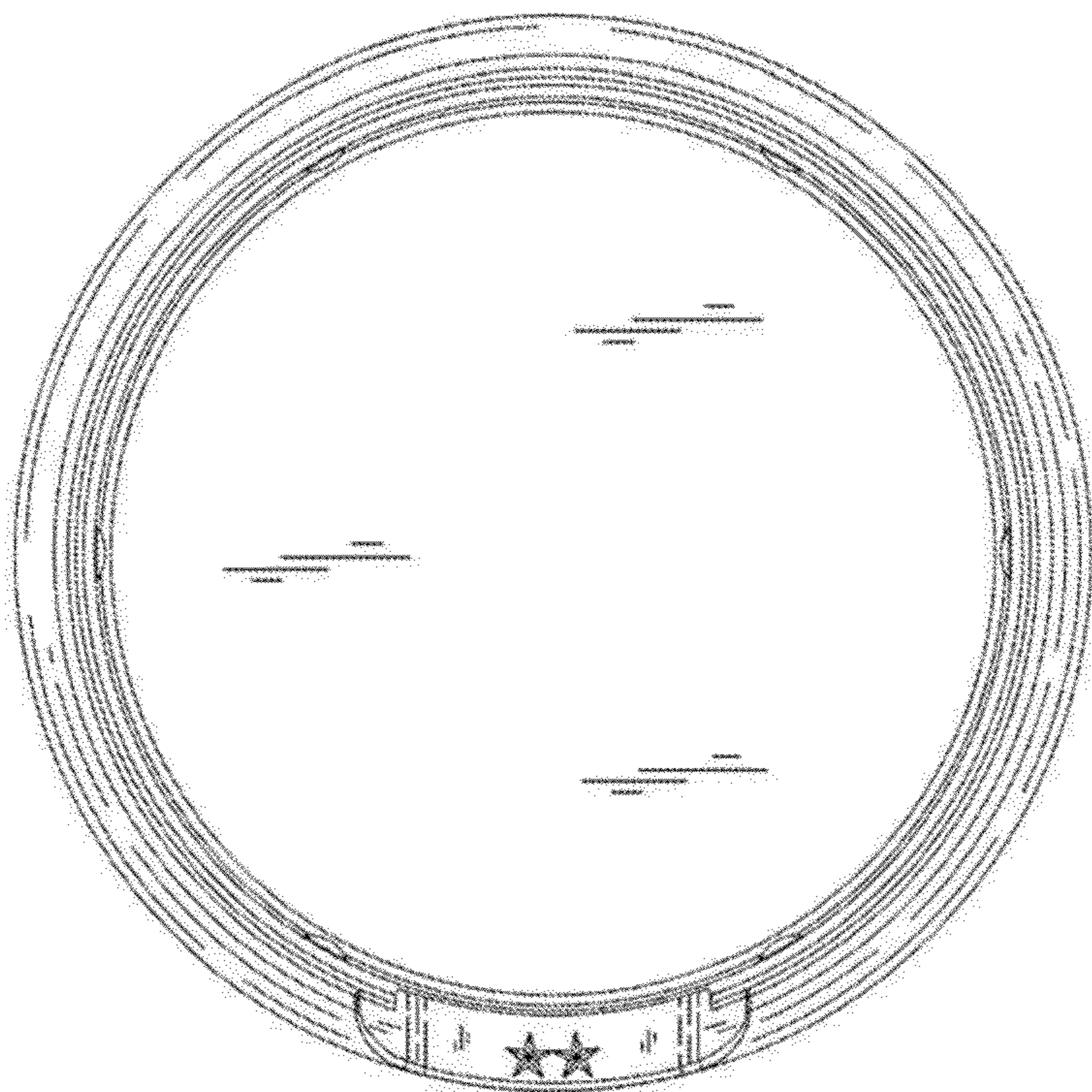


FIG. 15

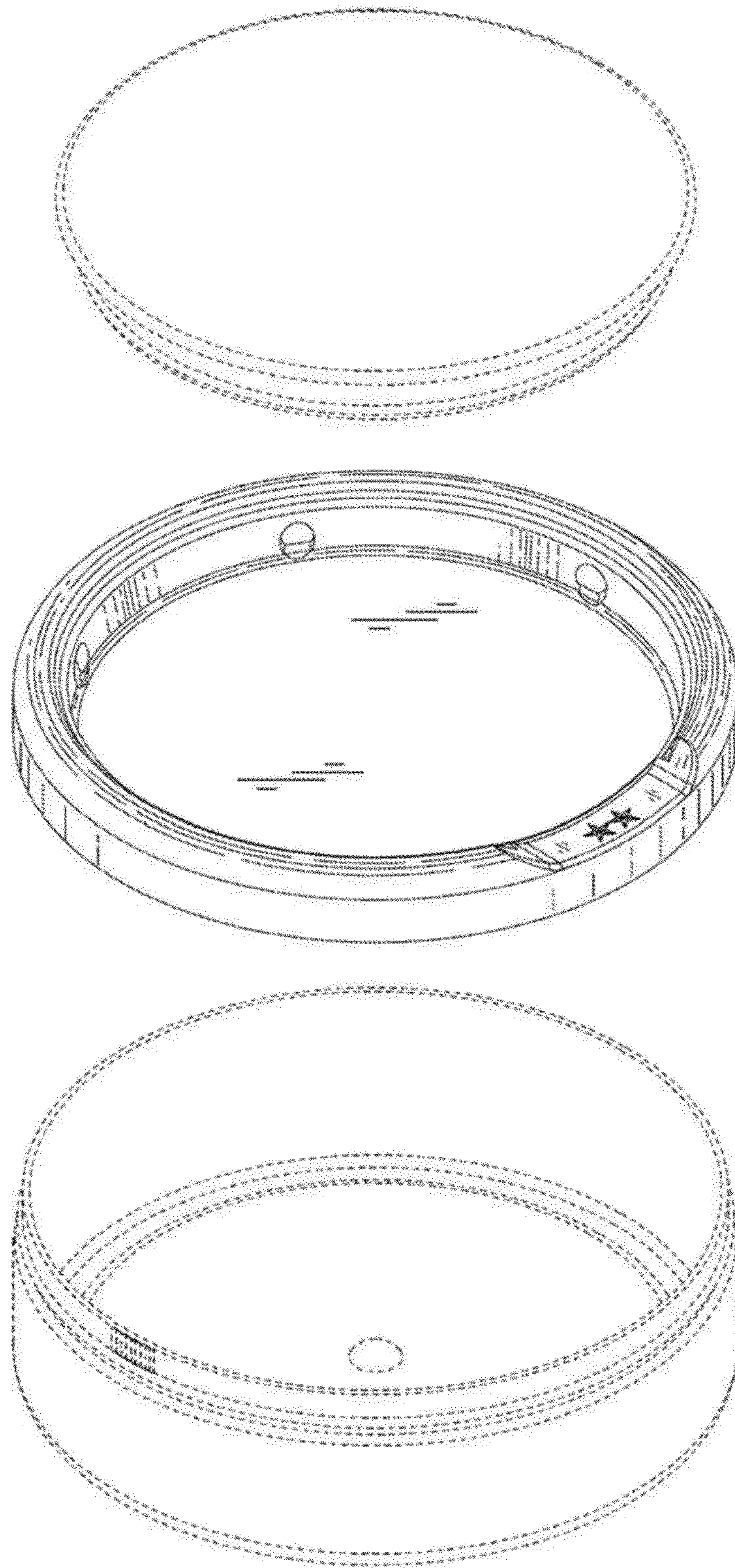


FIG. 16

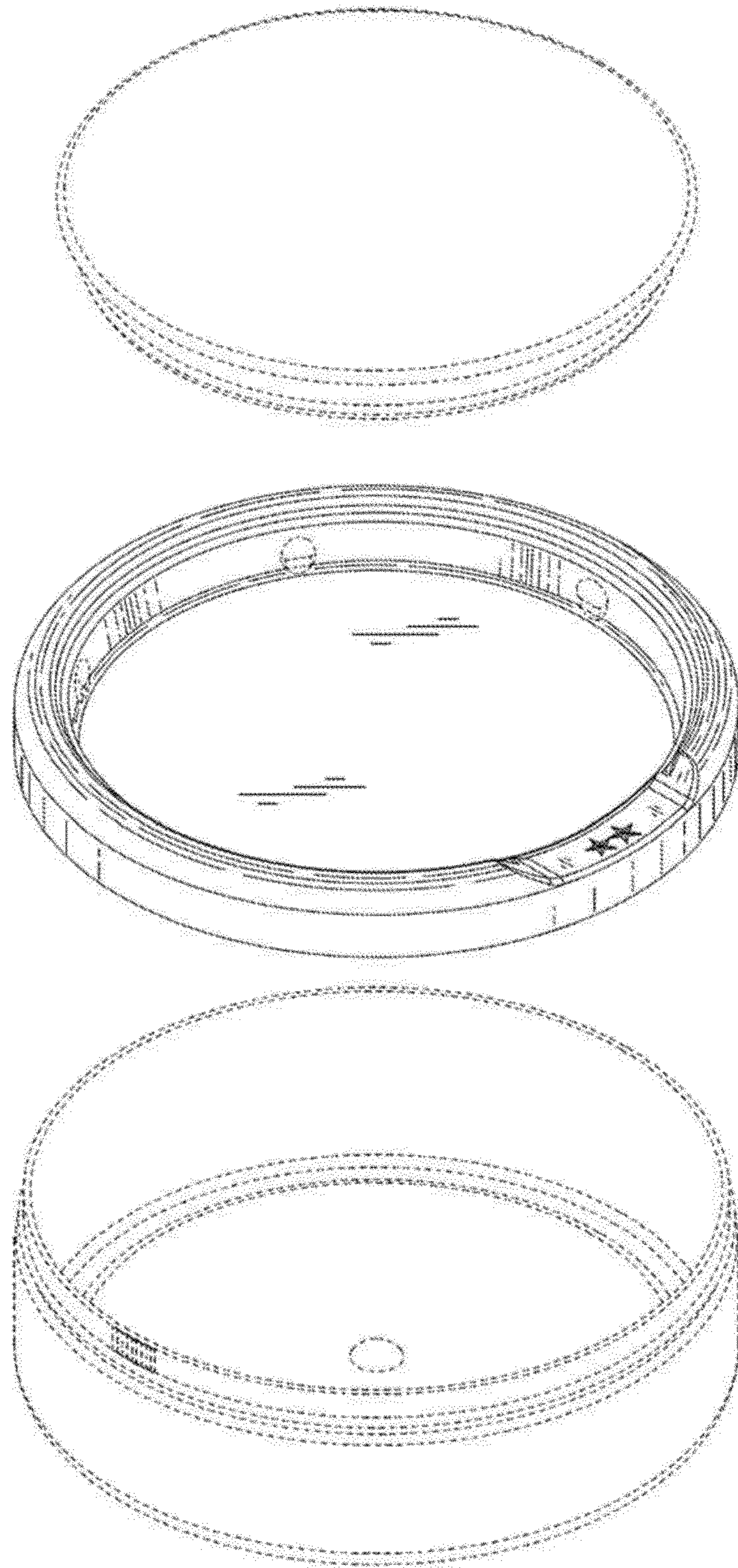


FIG. 17

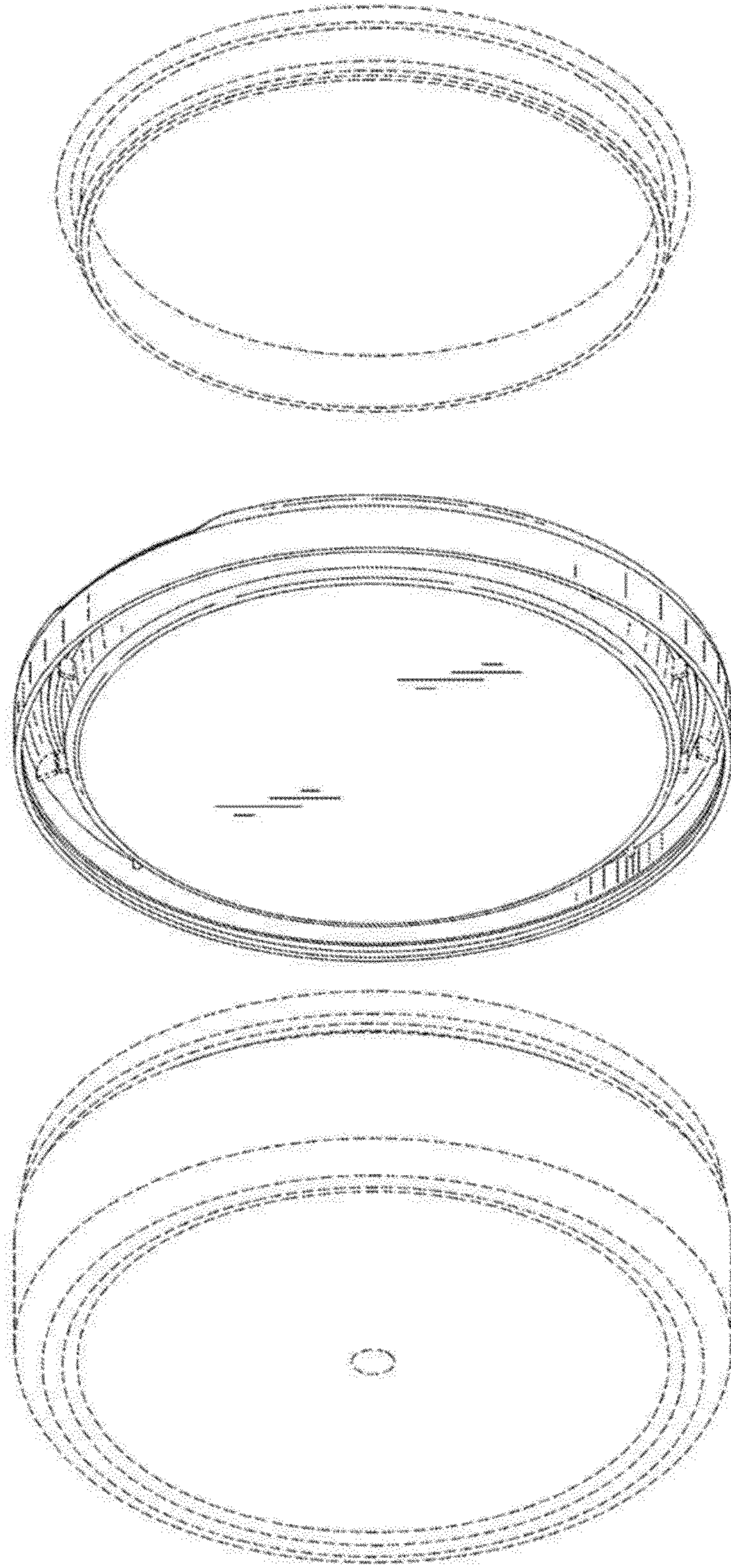


FIG. 18

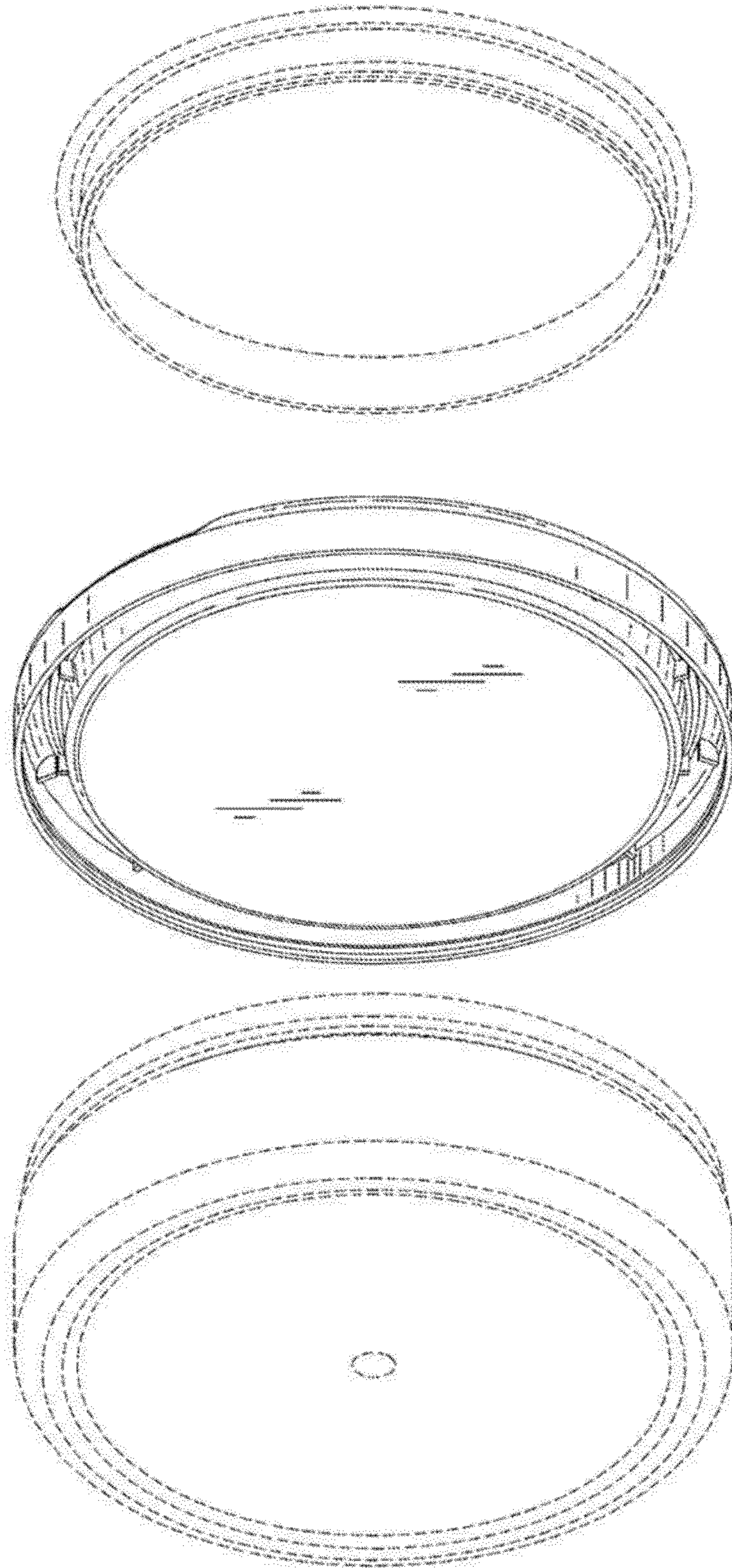


FIG. 19

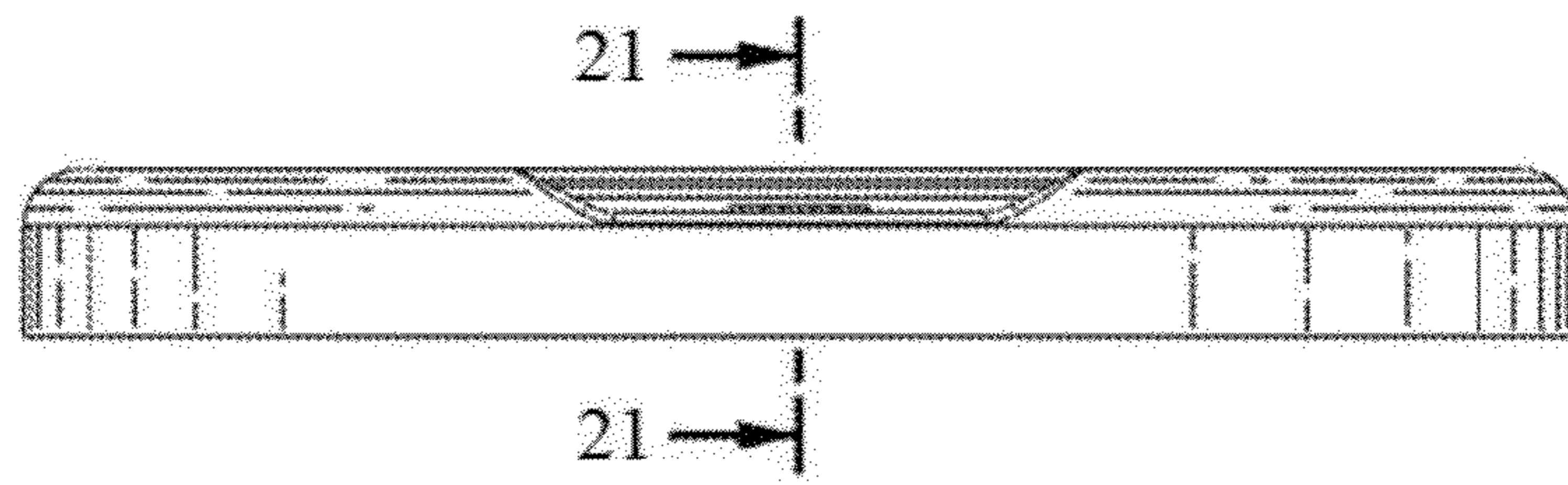


FIG. 20

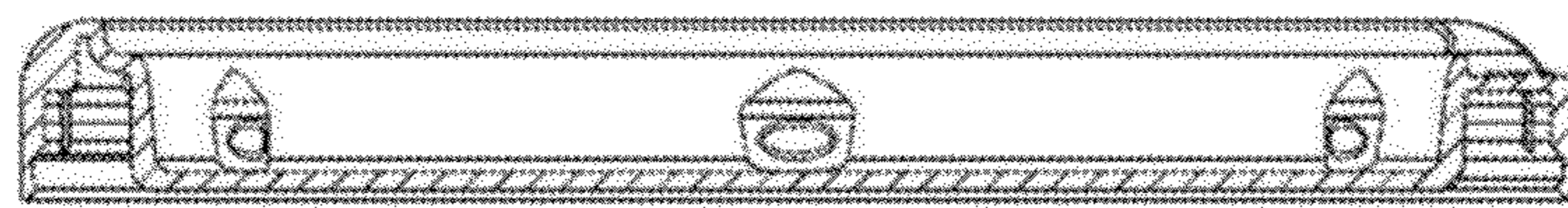


FIG. 21

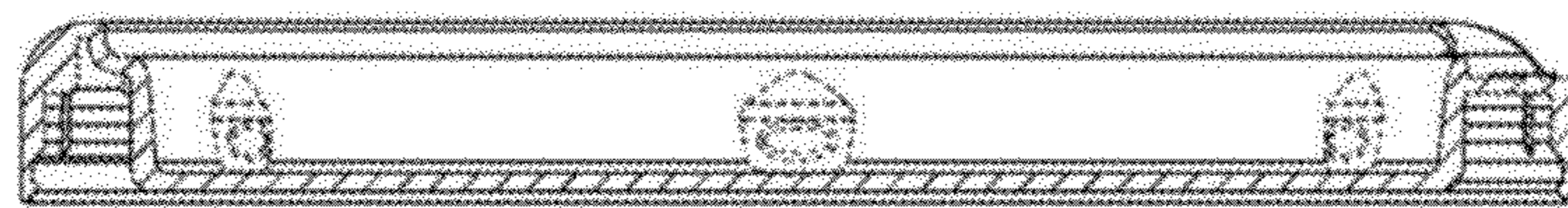


FIG. 22

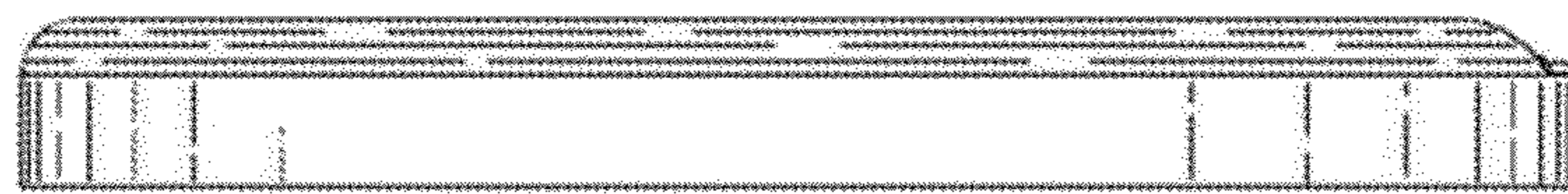


FIG. 23

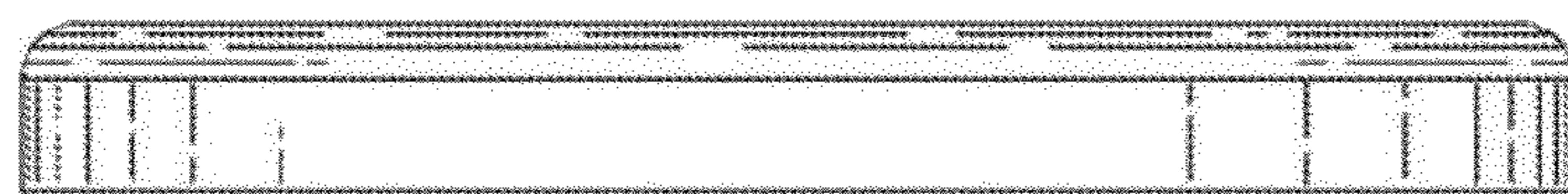


FIG. 24

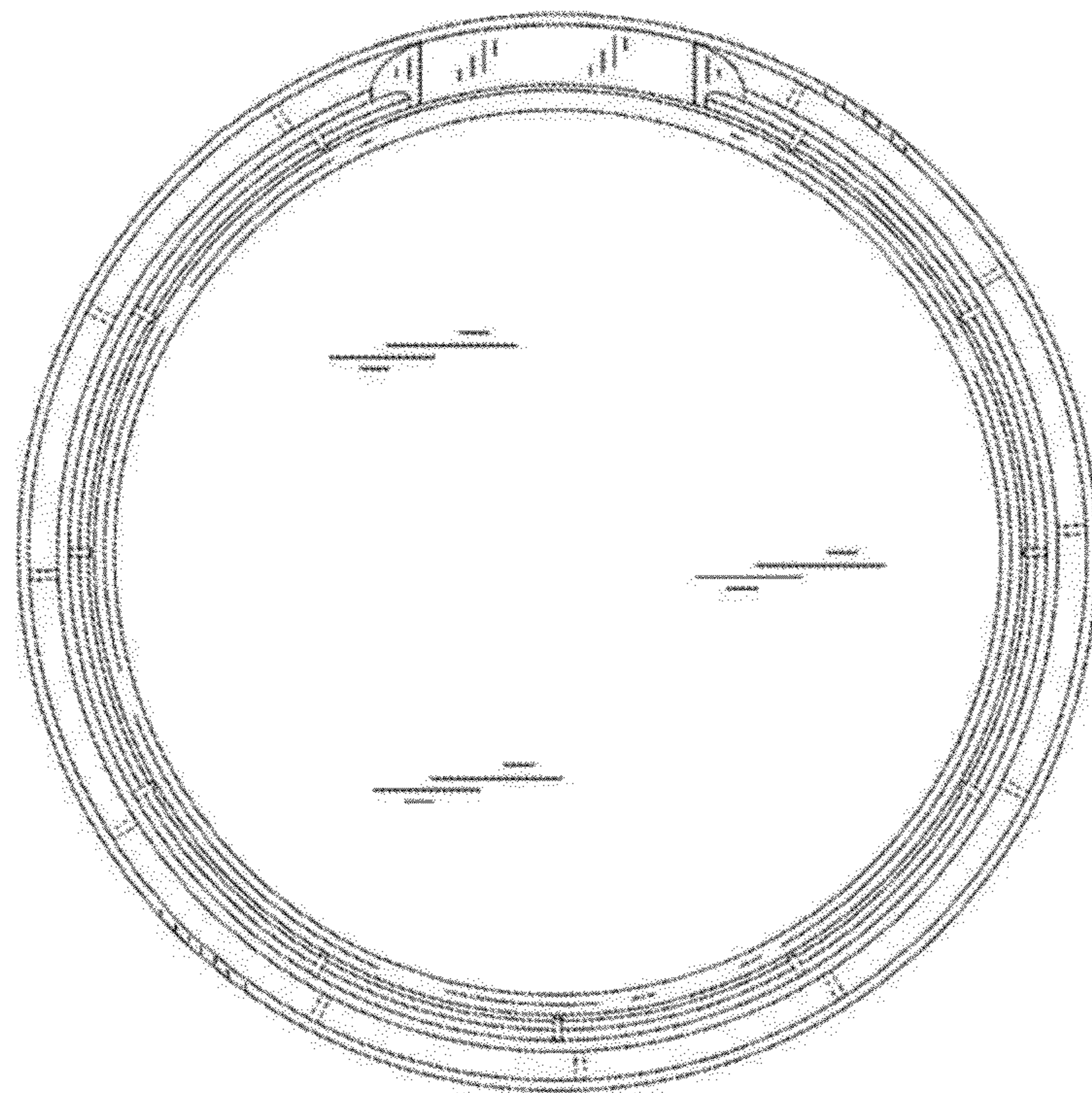


FIG. 25

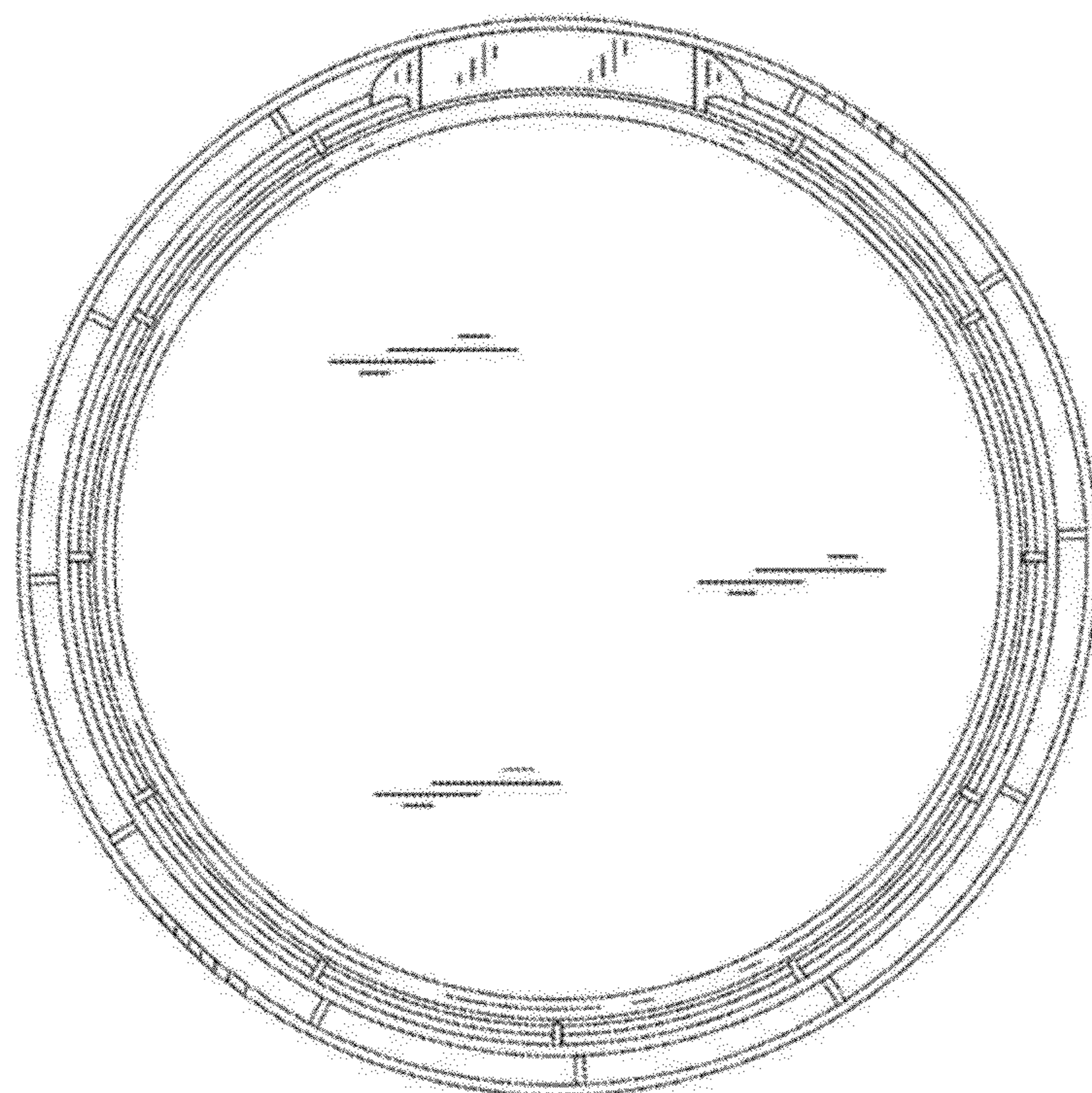


FIG. 26

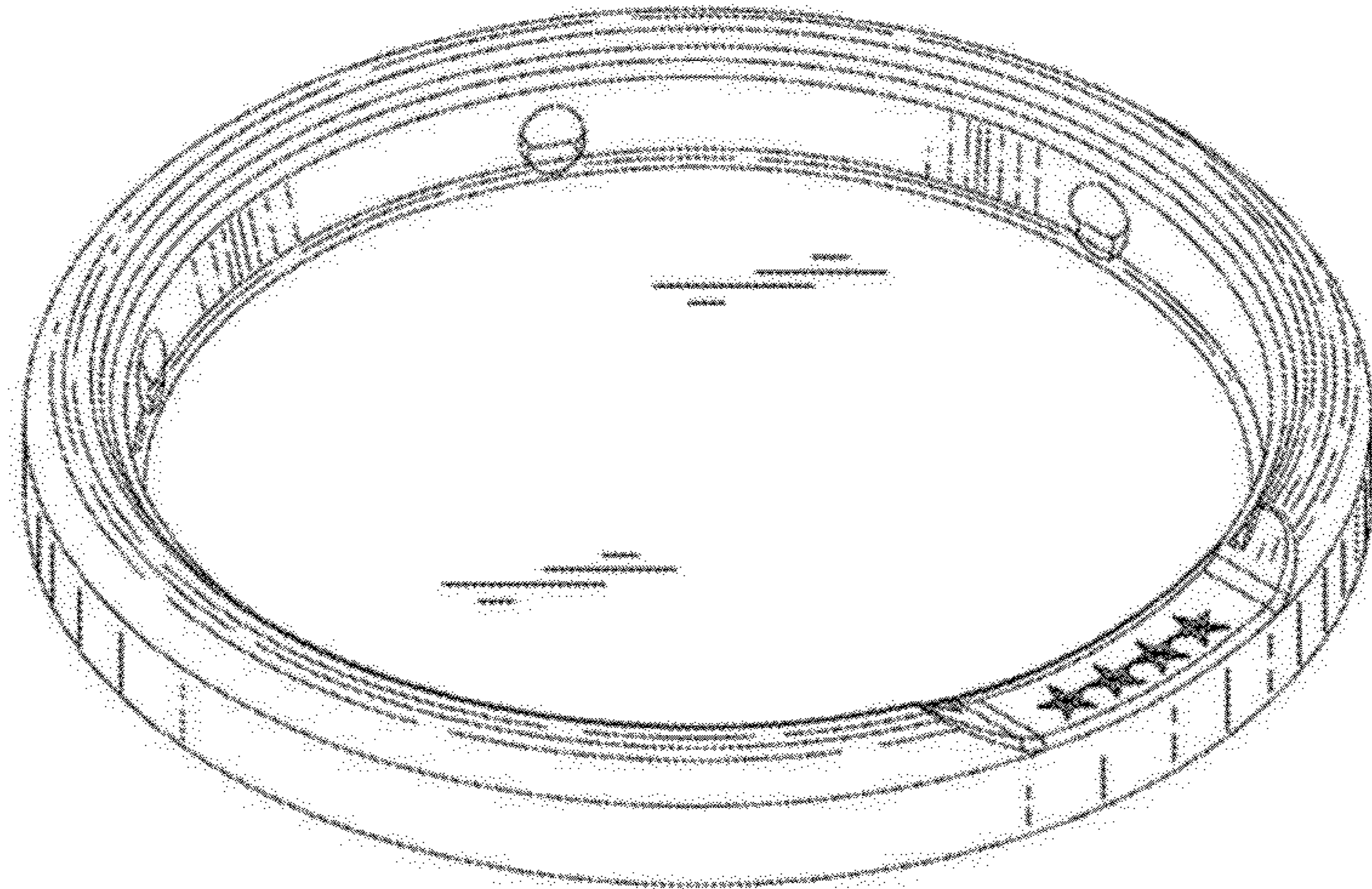


FIG. 27

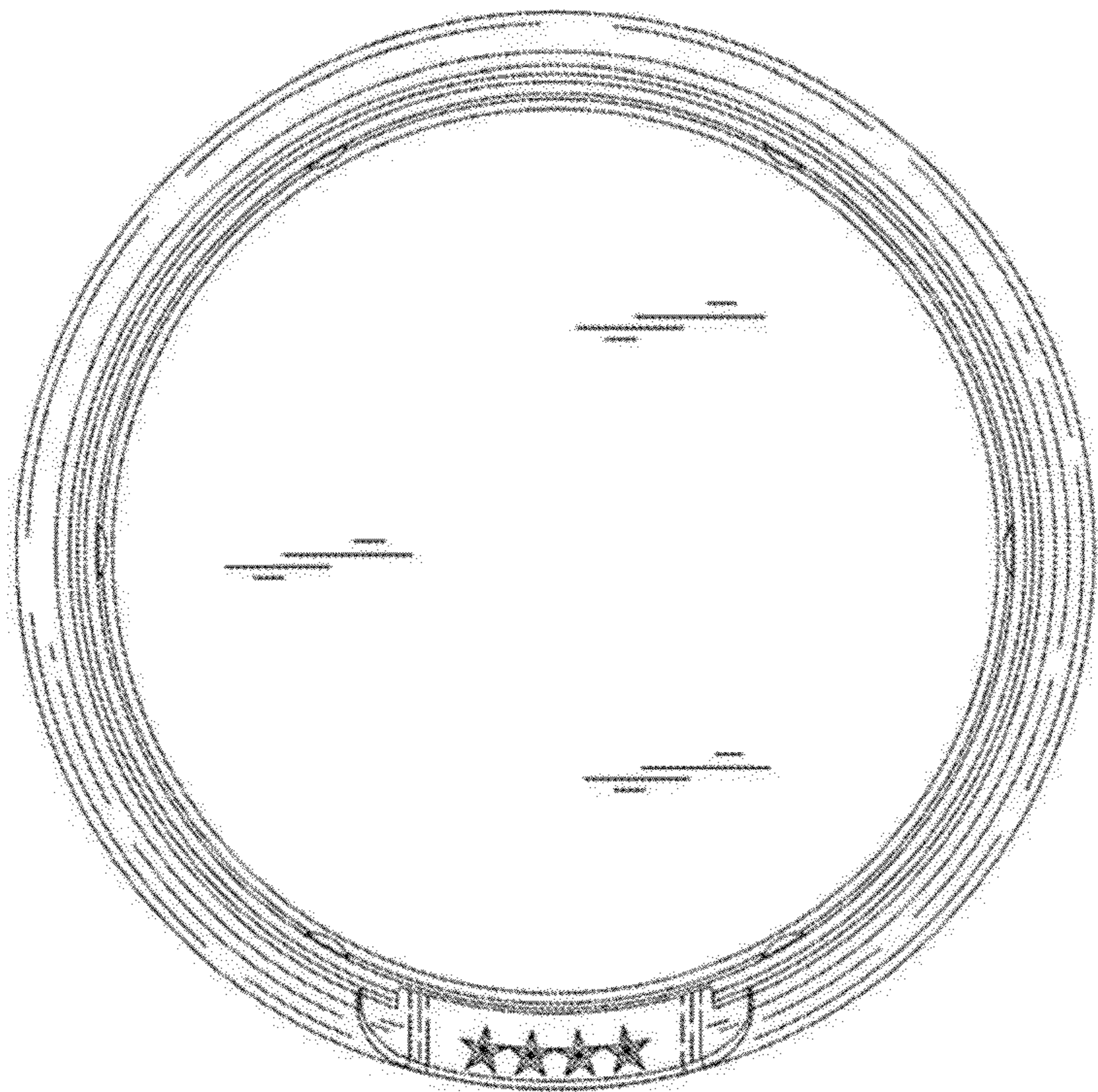


FIG. 28

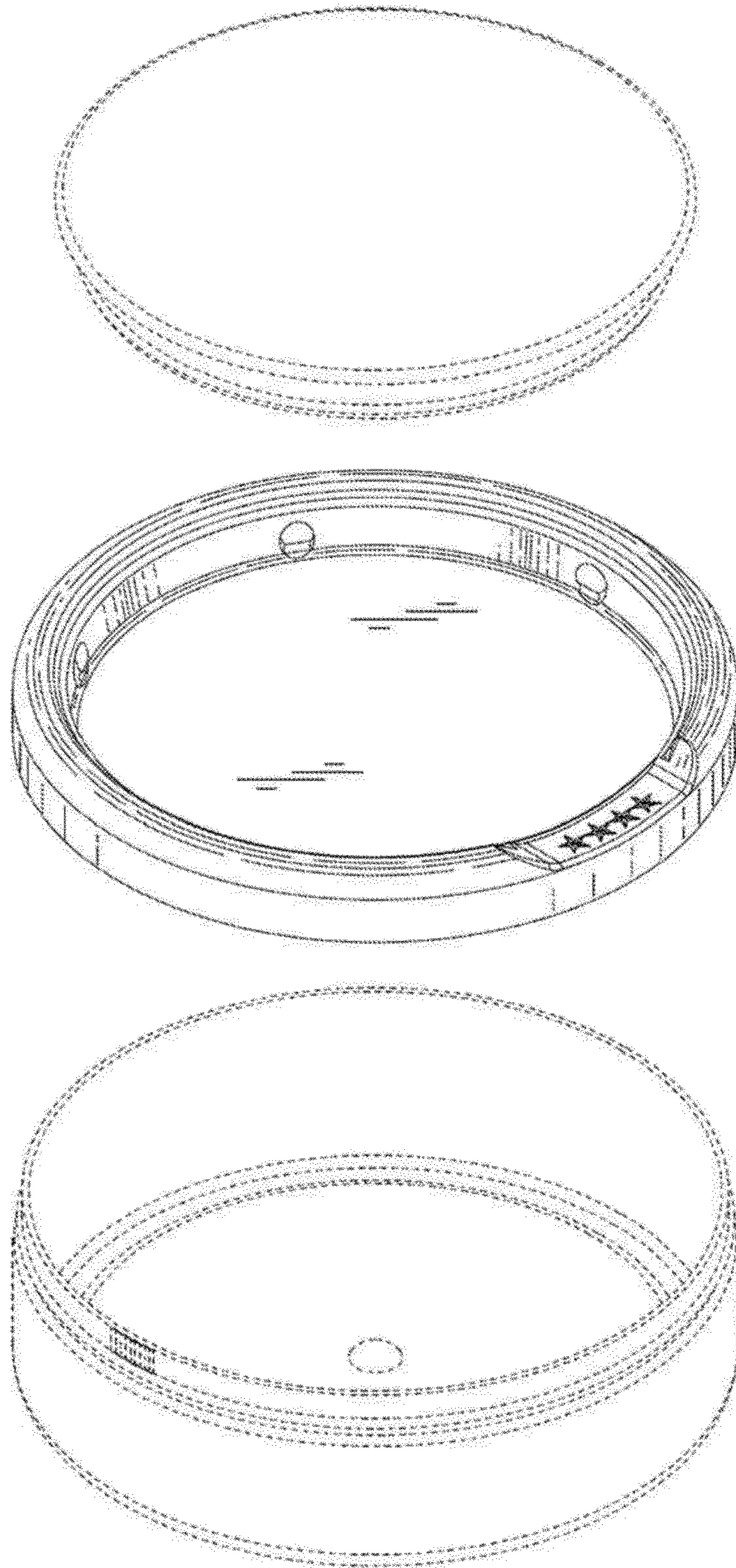


FIG. 29

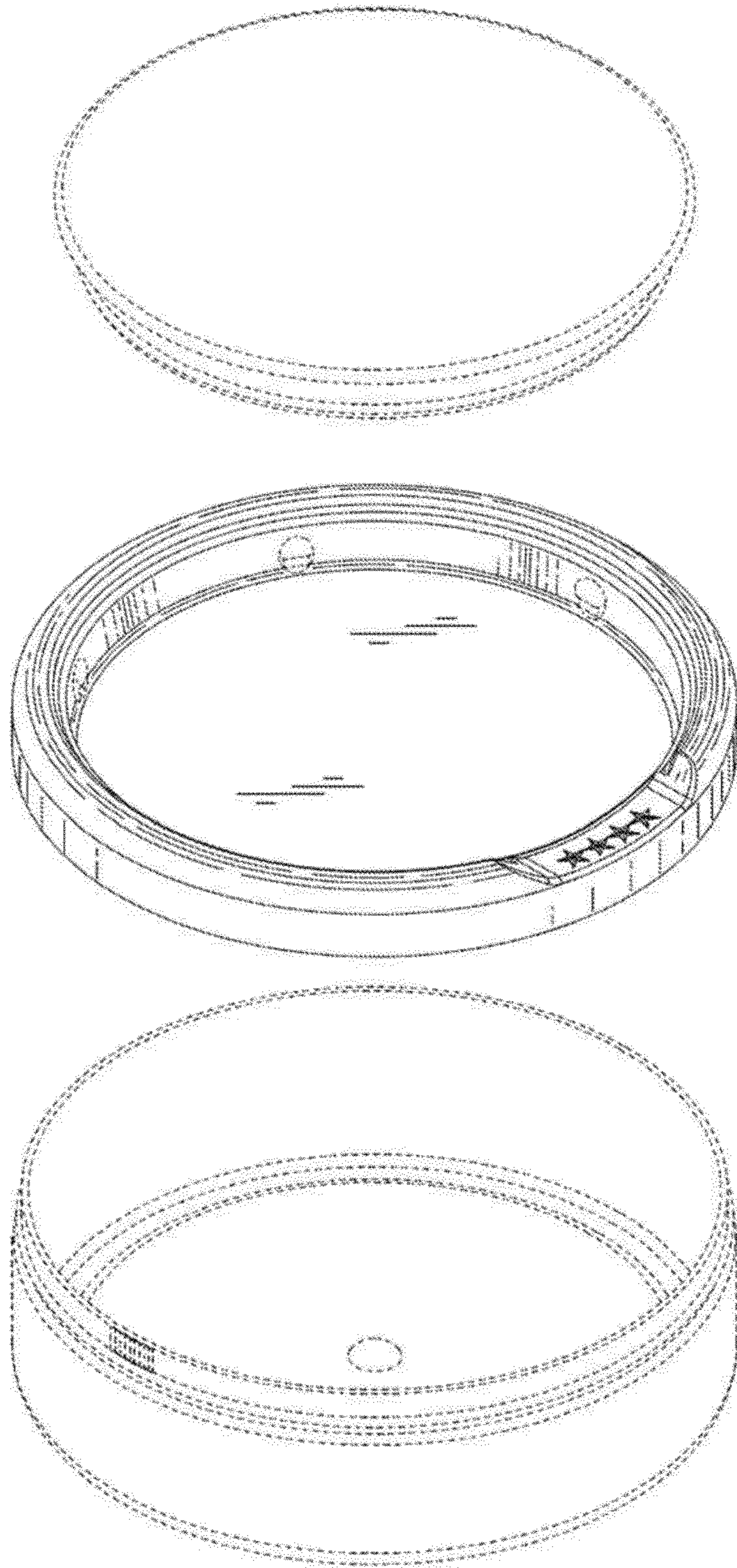


FIG. 30

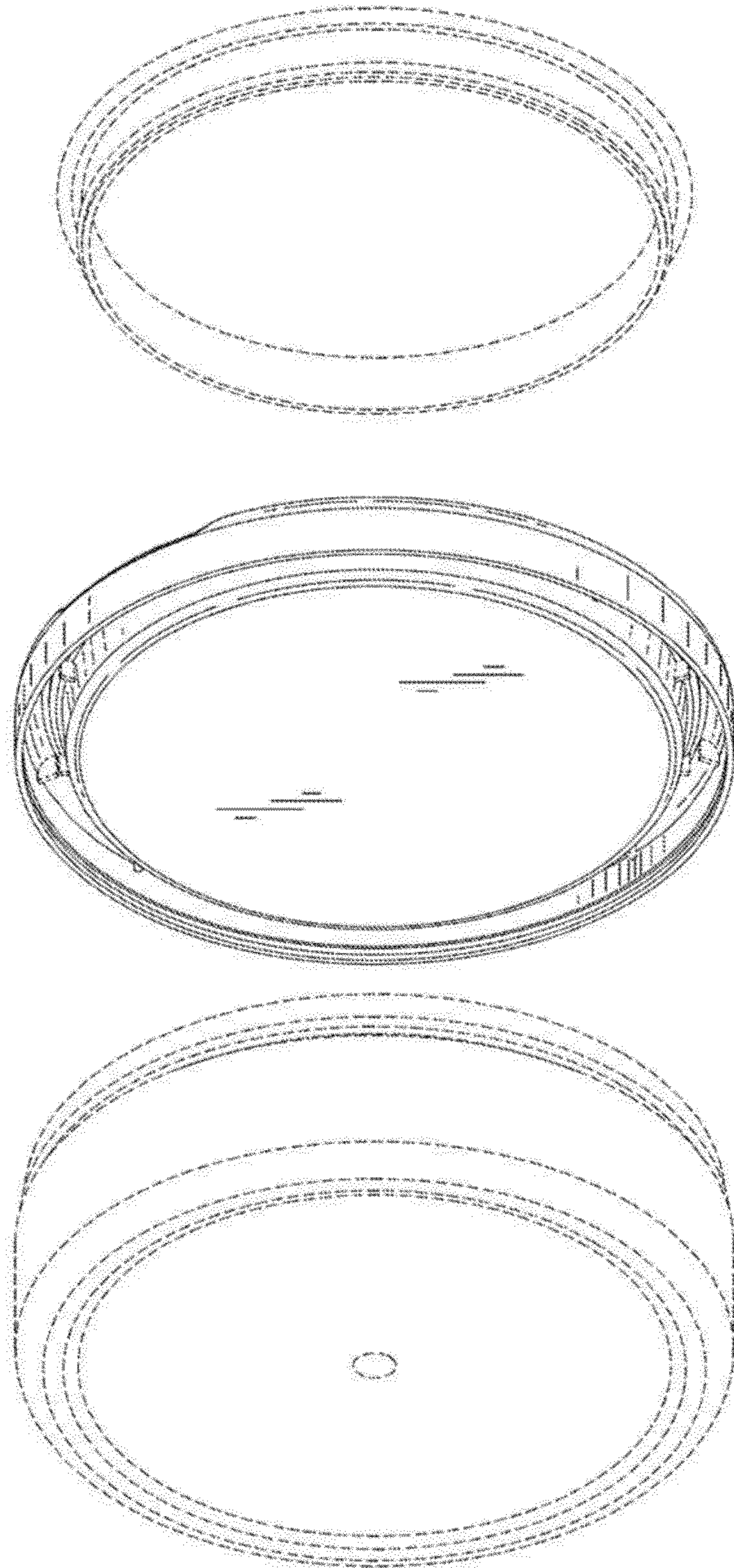


FIG. 31

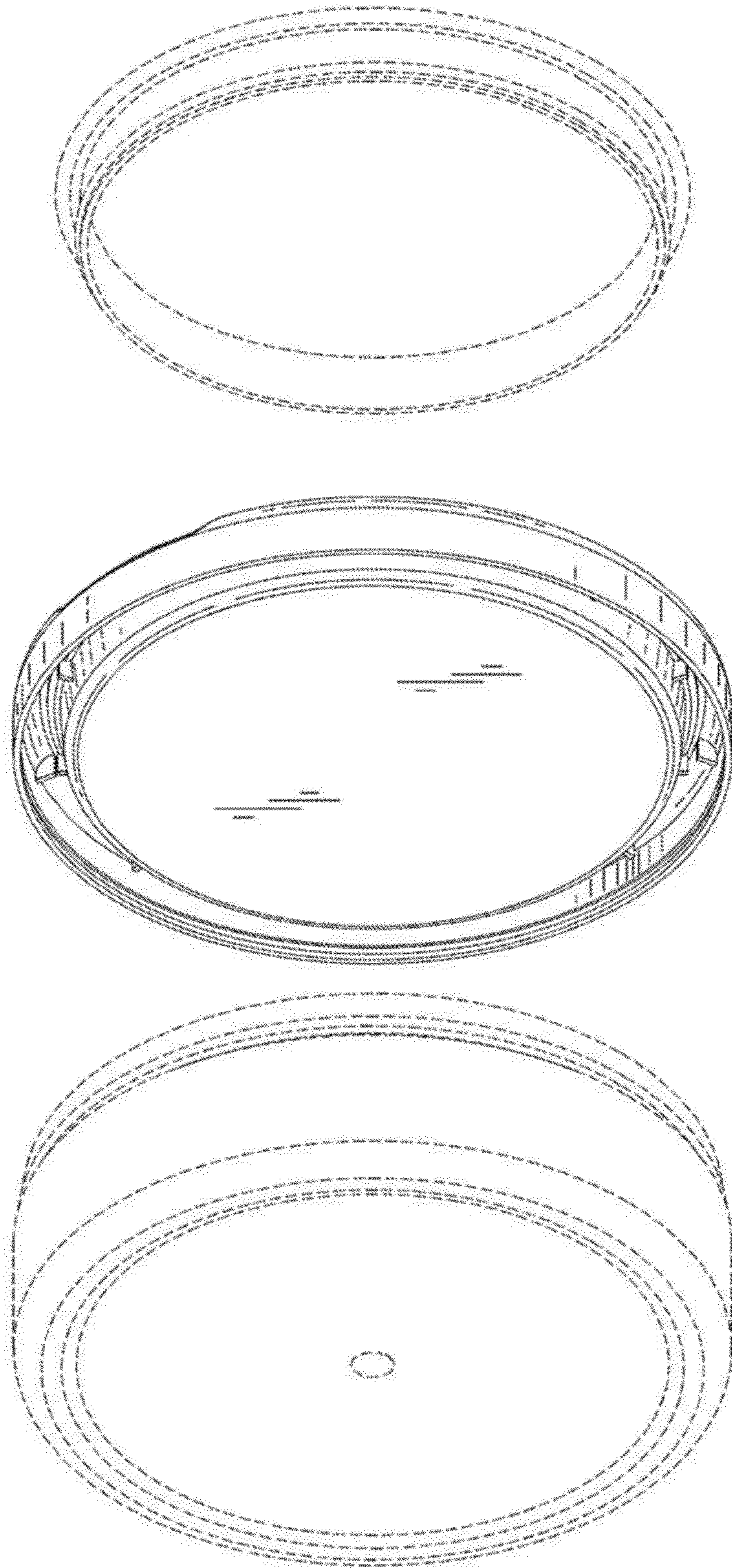


FIG. 32

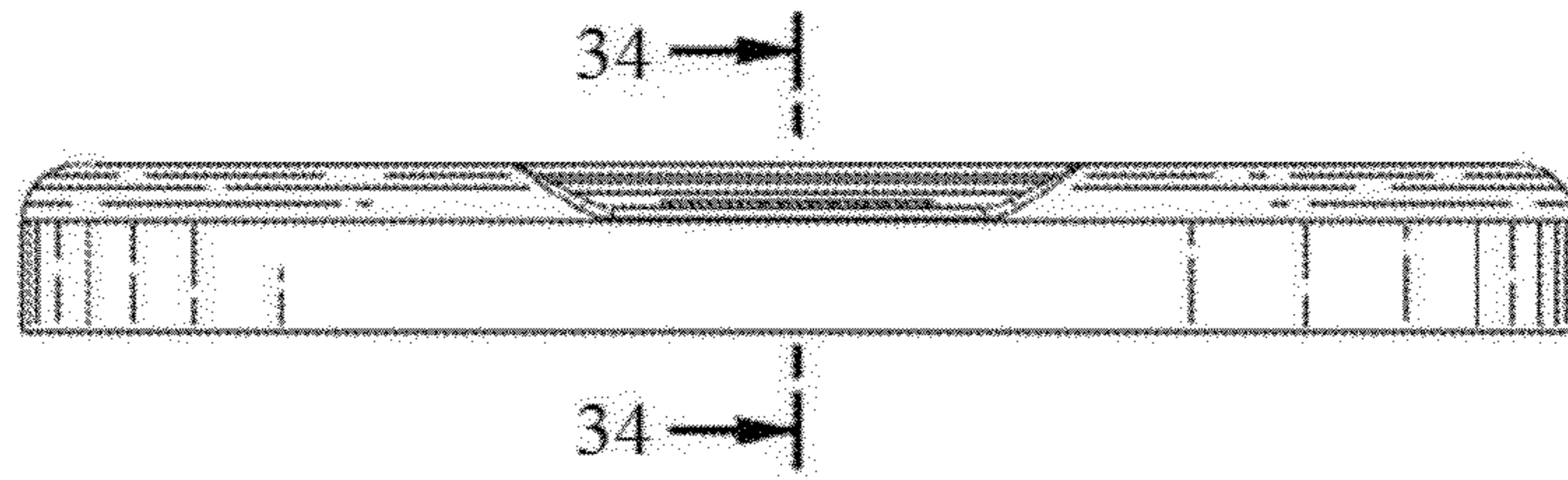


FIG. 33

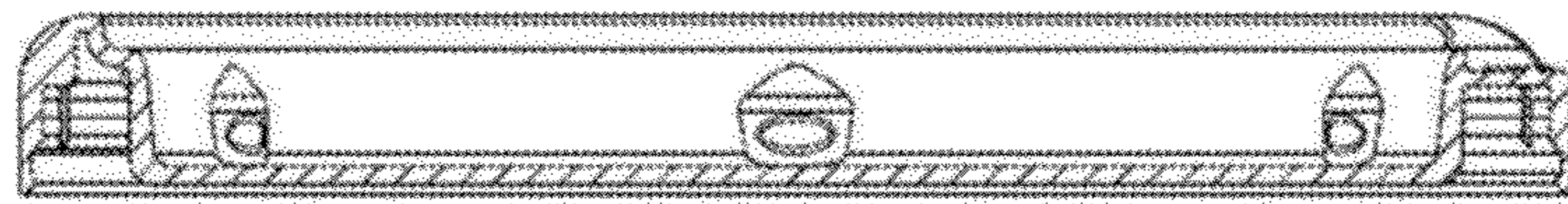


FIG. 34

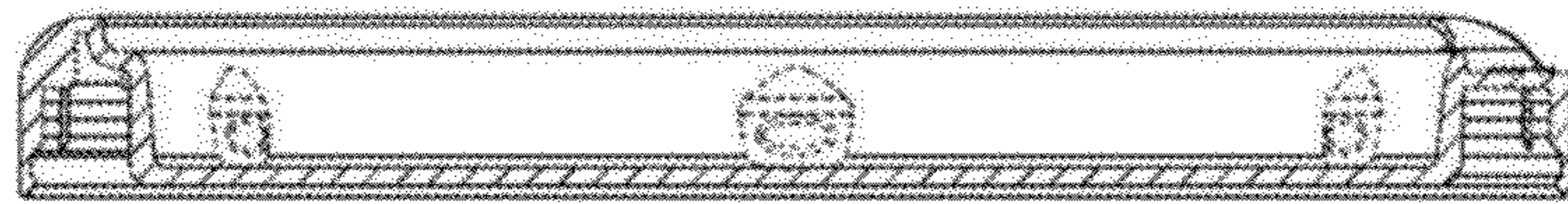


FIG. 35

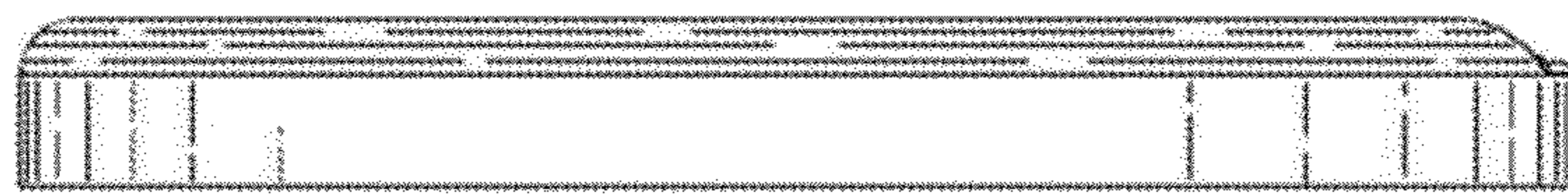


FIG. 36

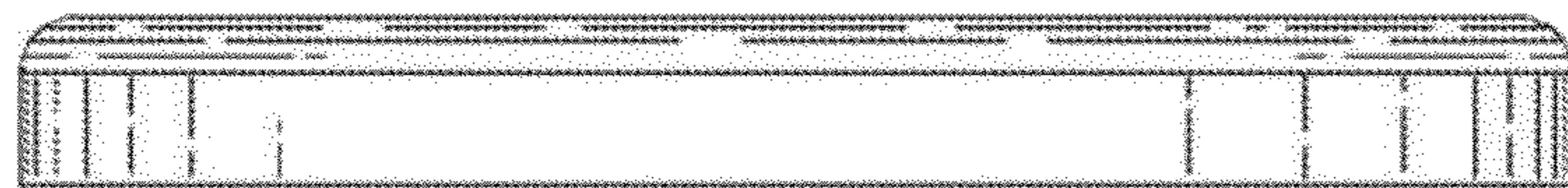


FIG. 37

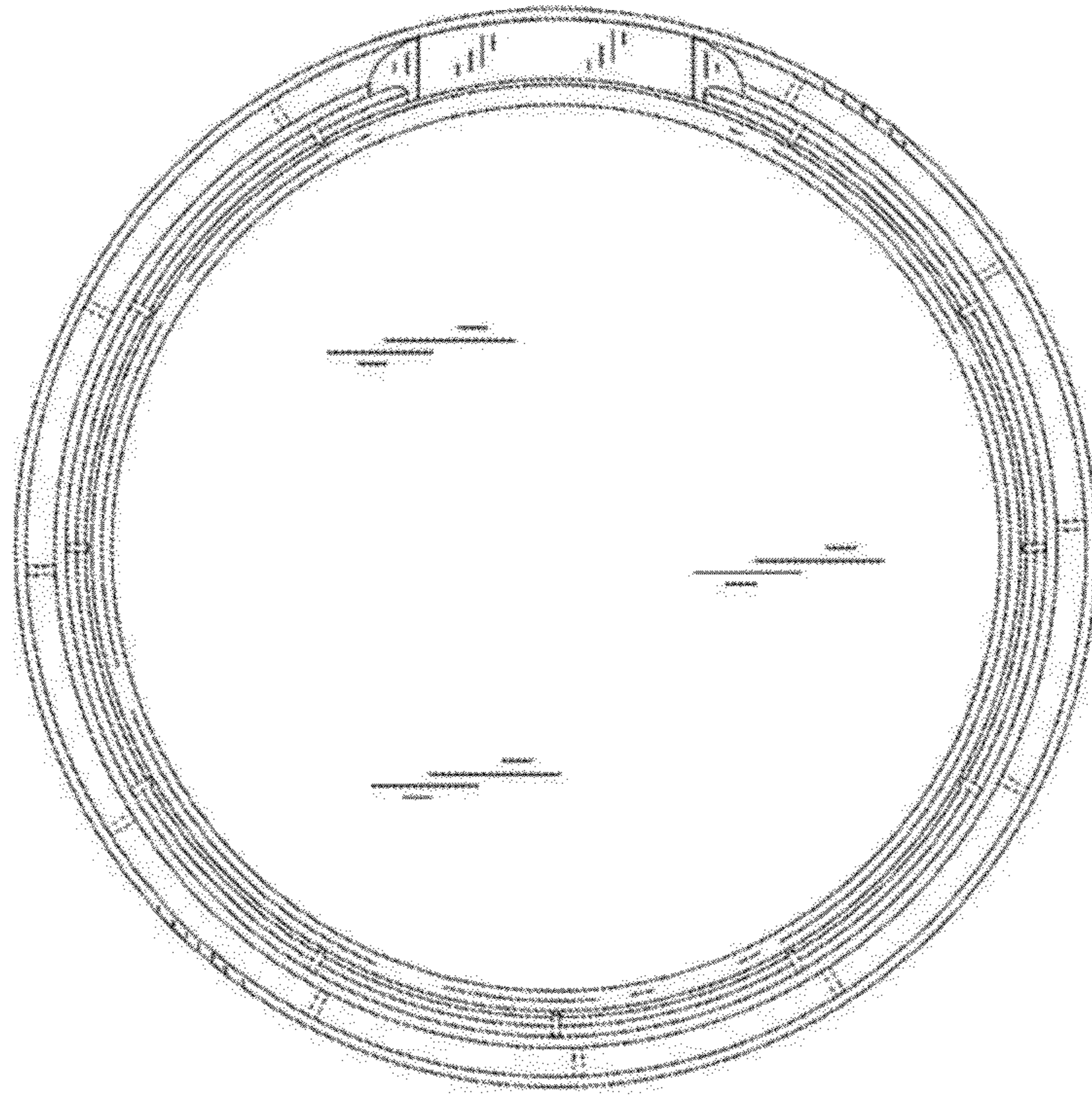


FIG. 38

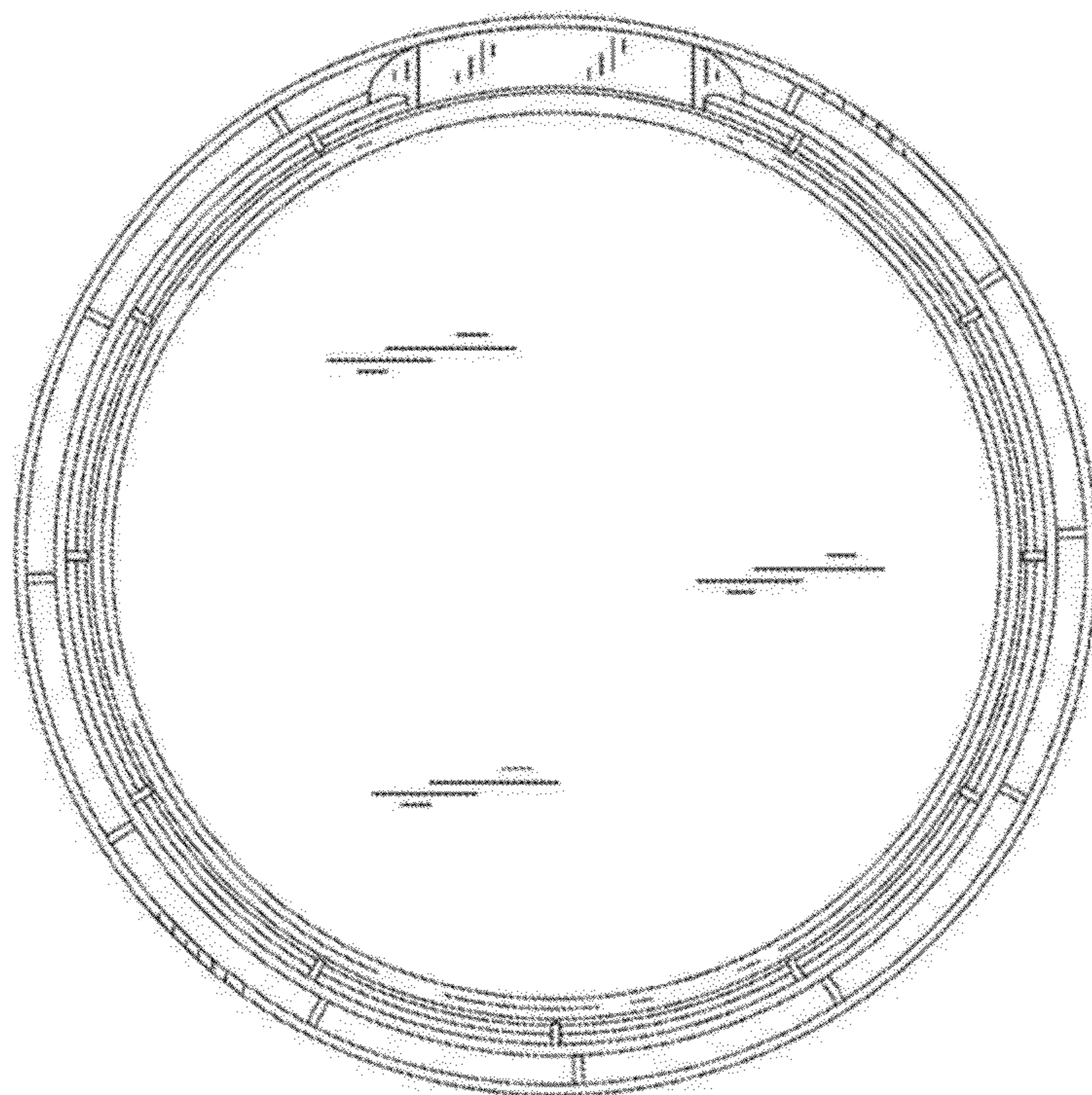


FIG. 39

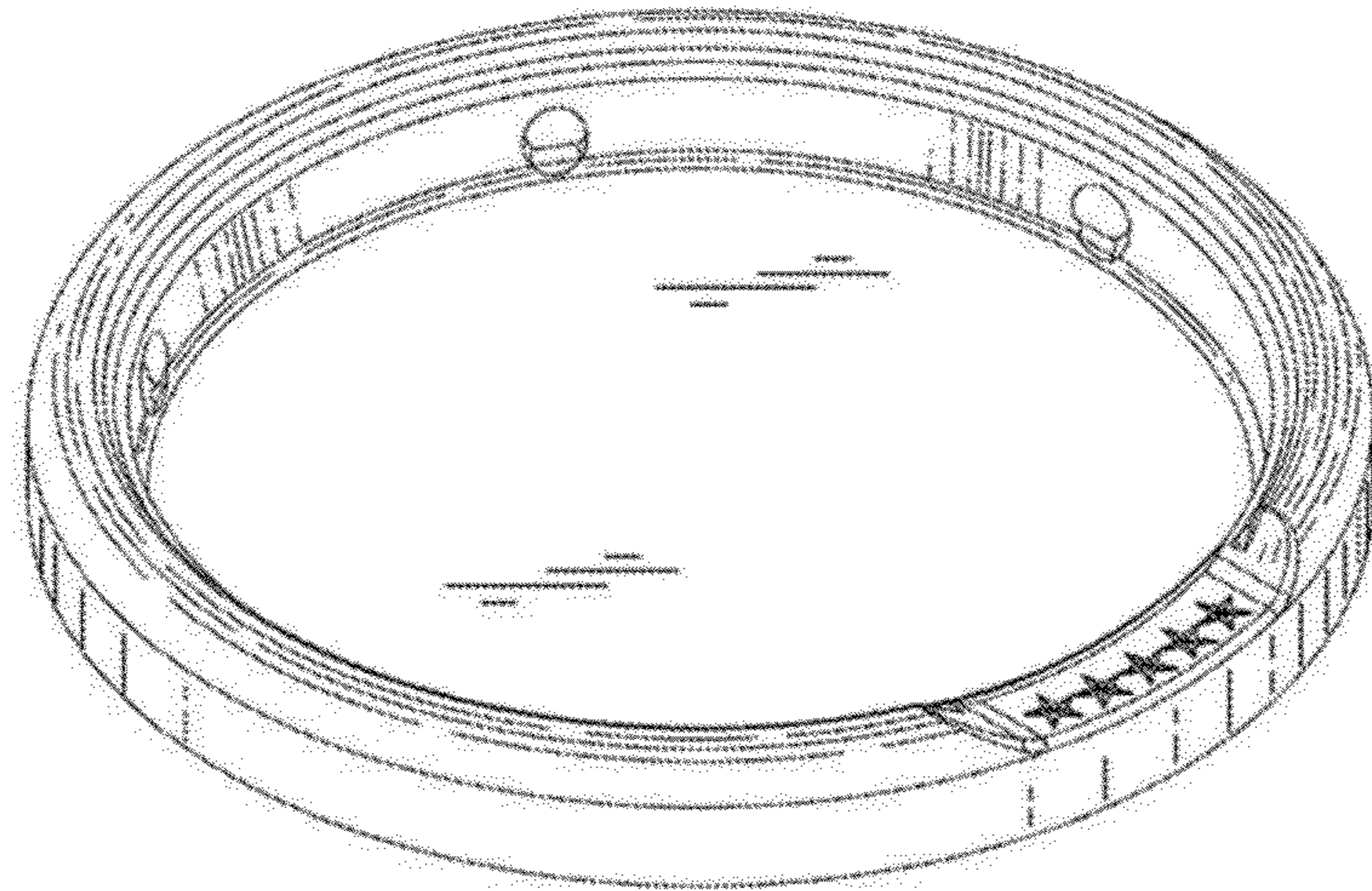


FIG. 40

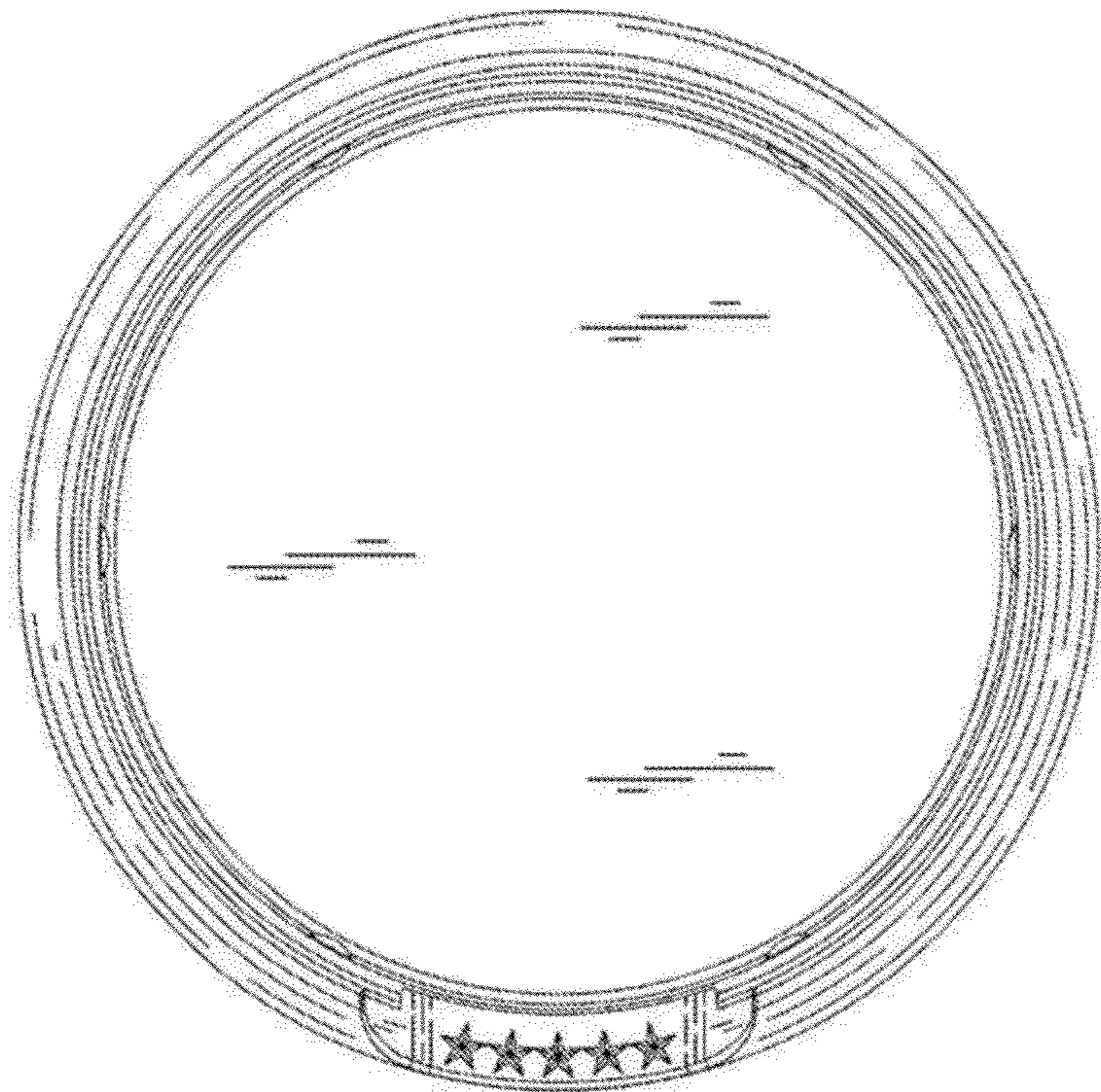


FIG. 41

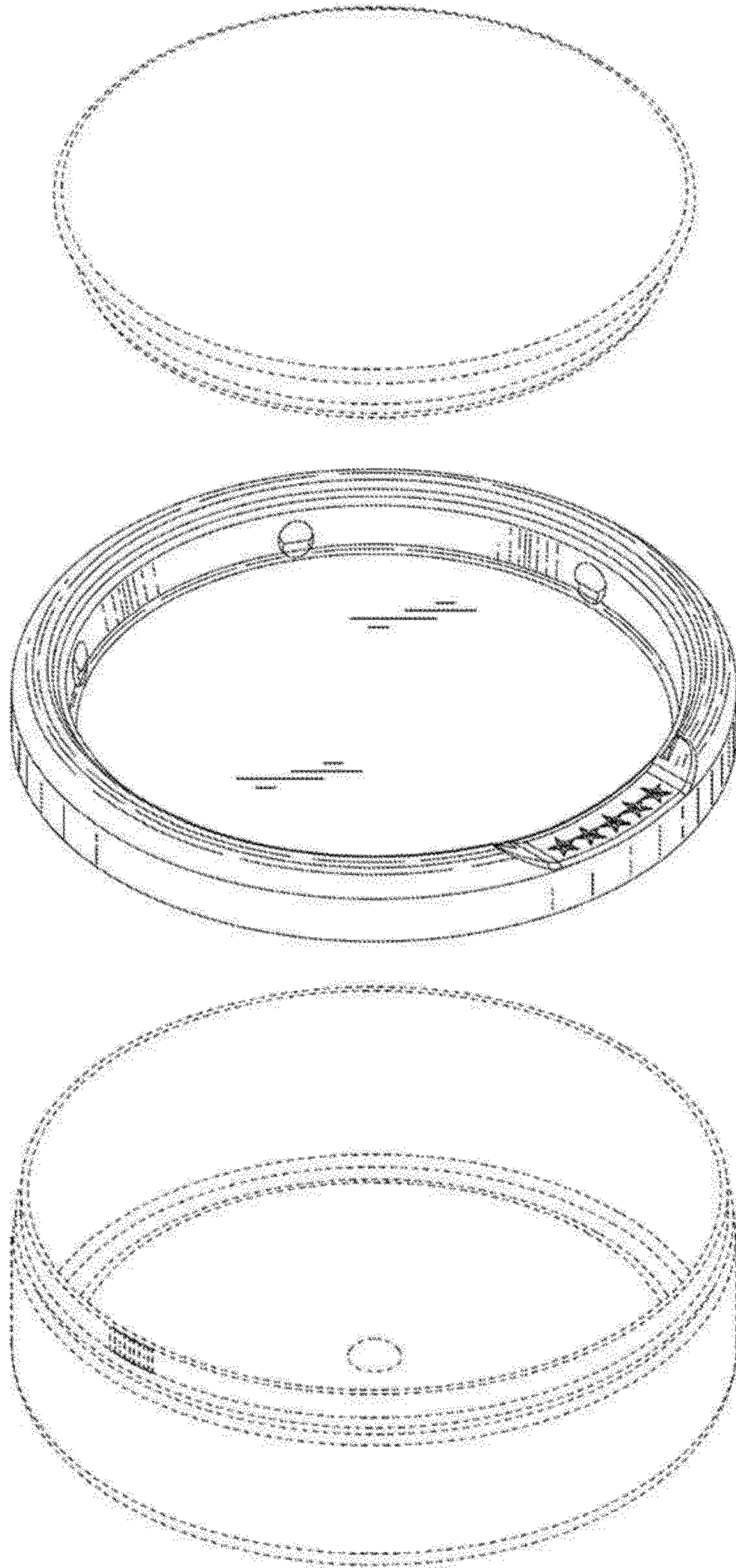


FIG. 42

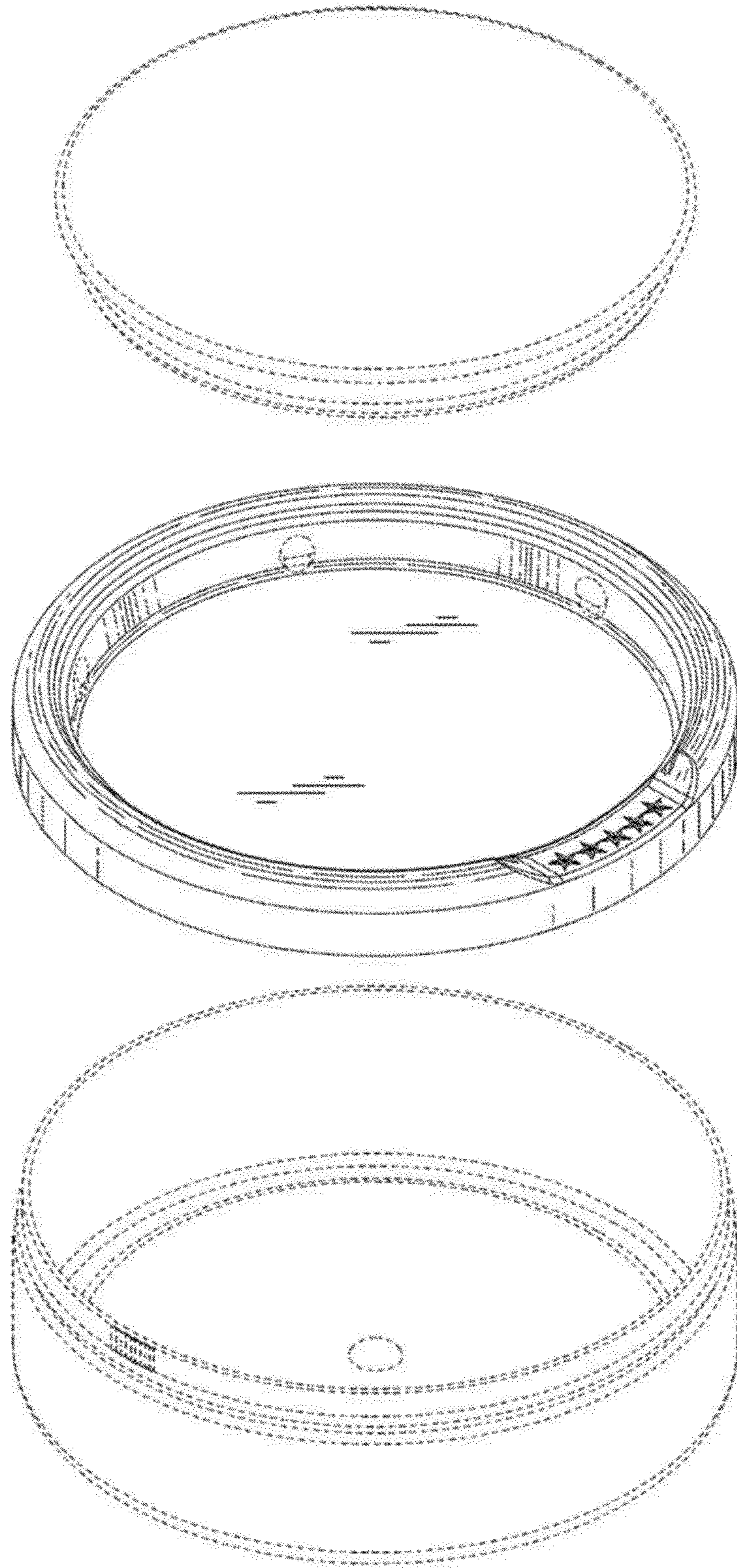


FIG. 43

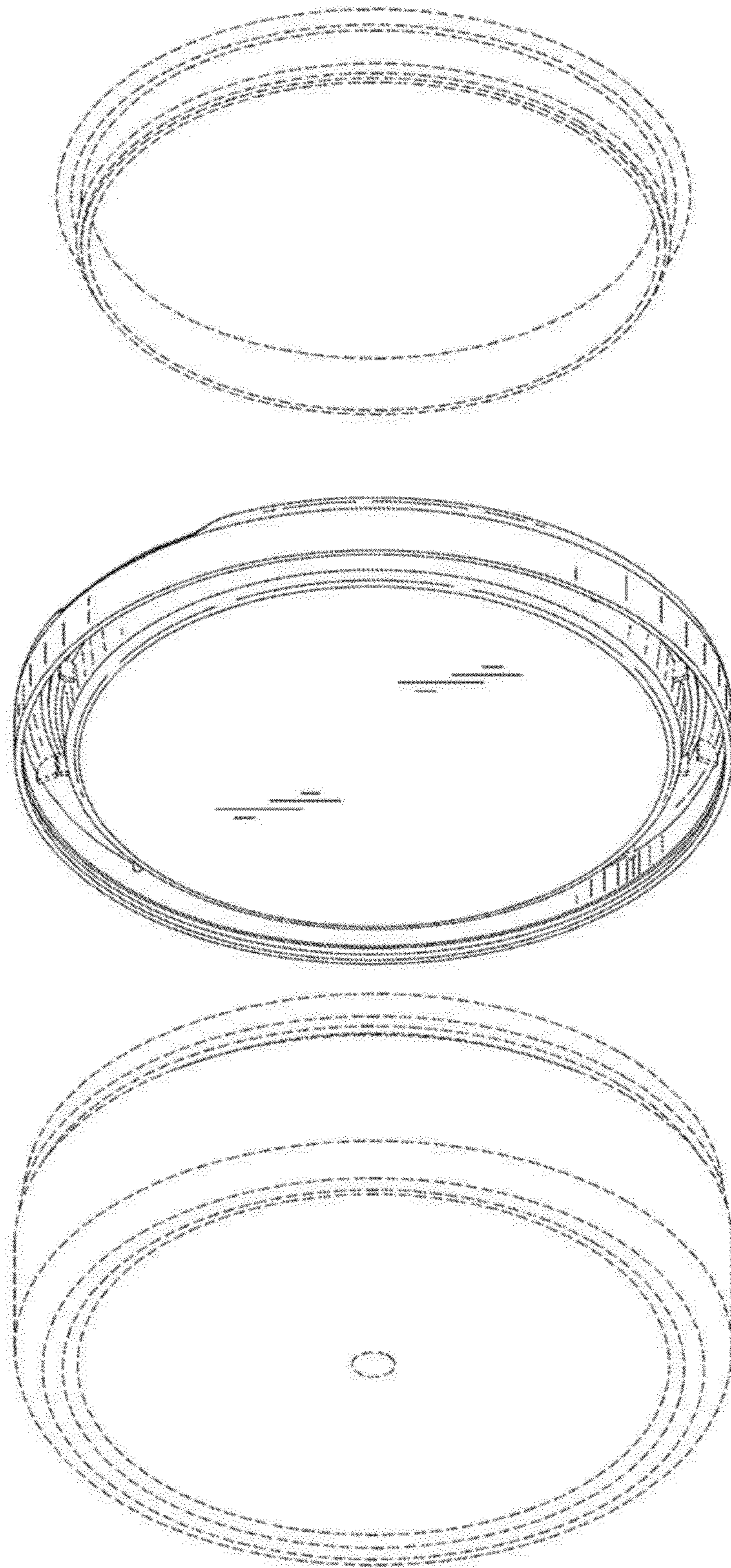


FIG. 44

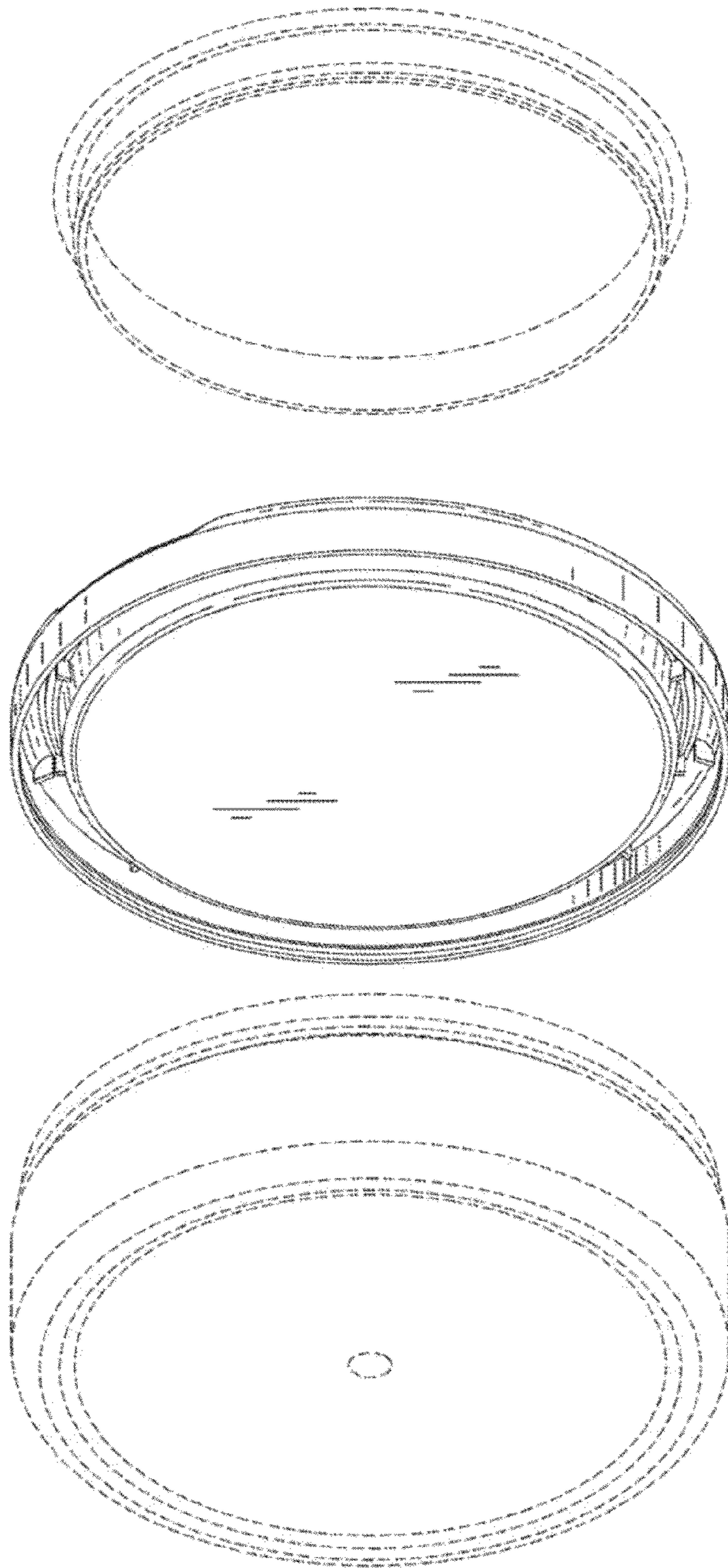


FIG. 45

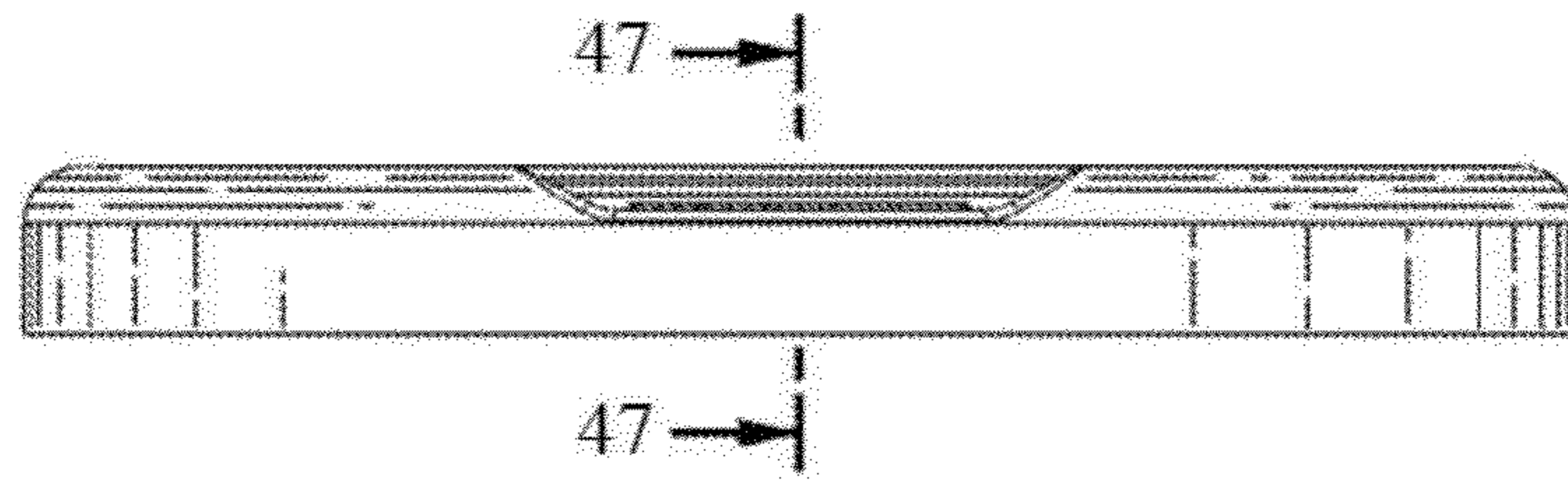


FIG. 46

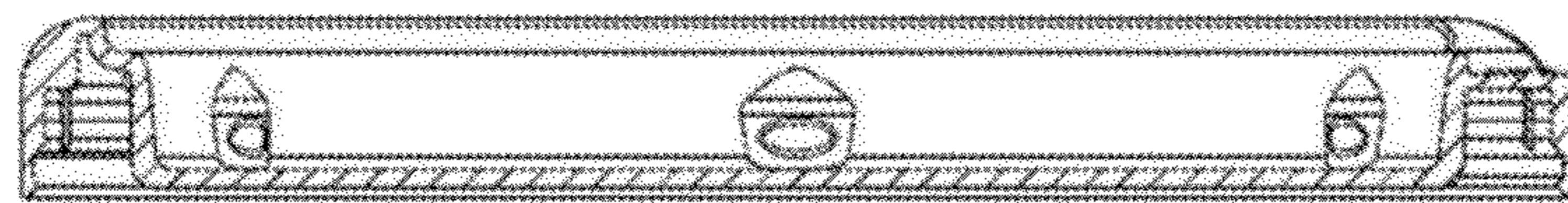


FIG. 47

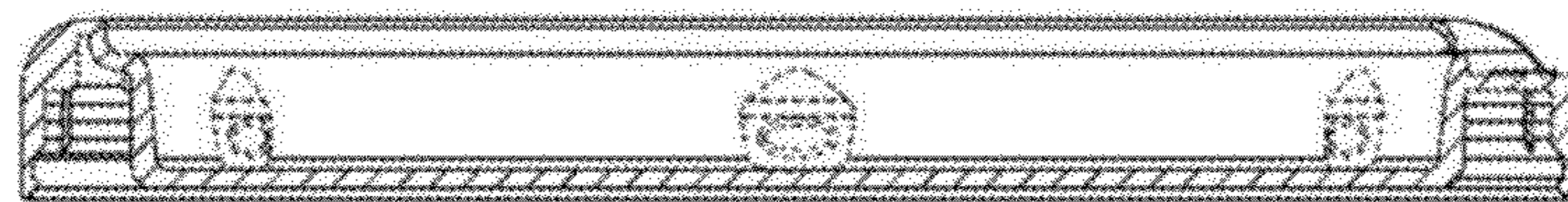


FIG. 48



FIG. 49

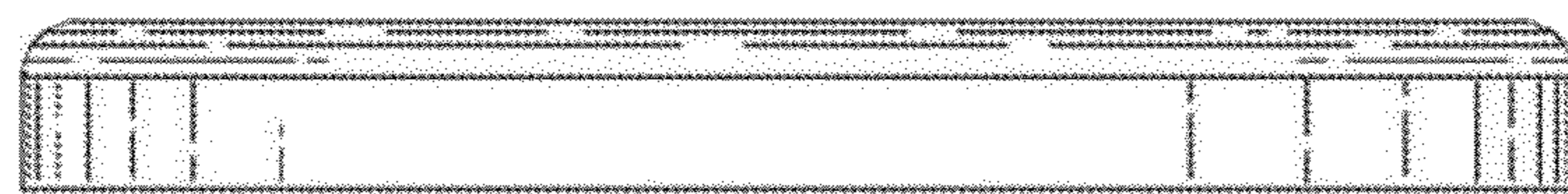


FIG. 50

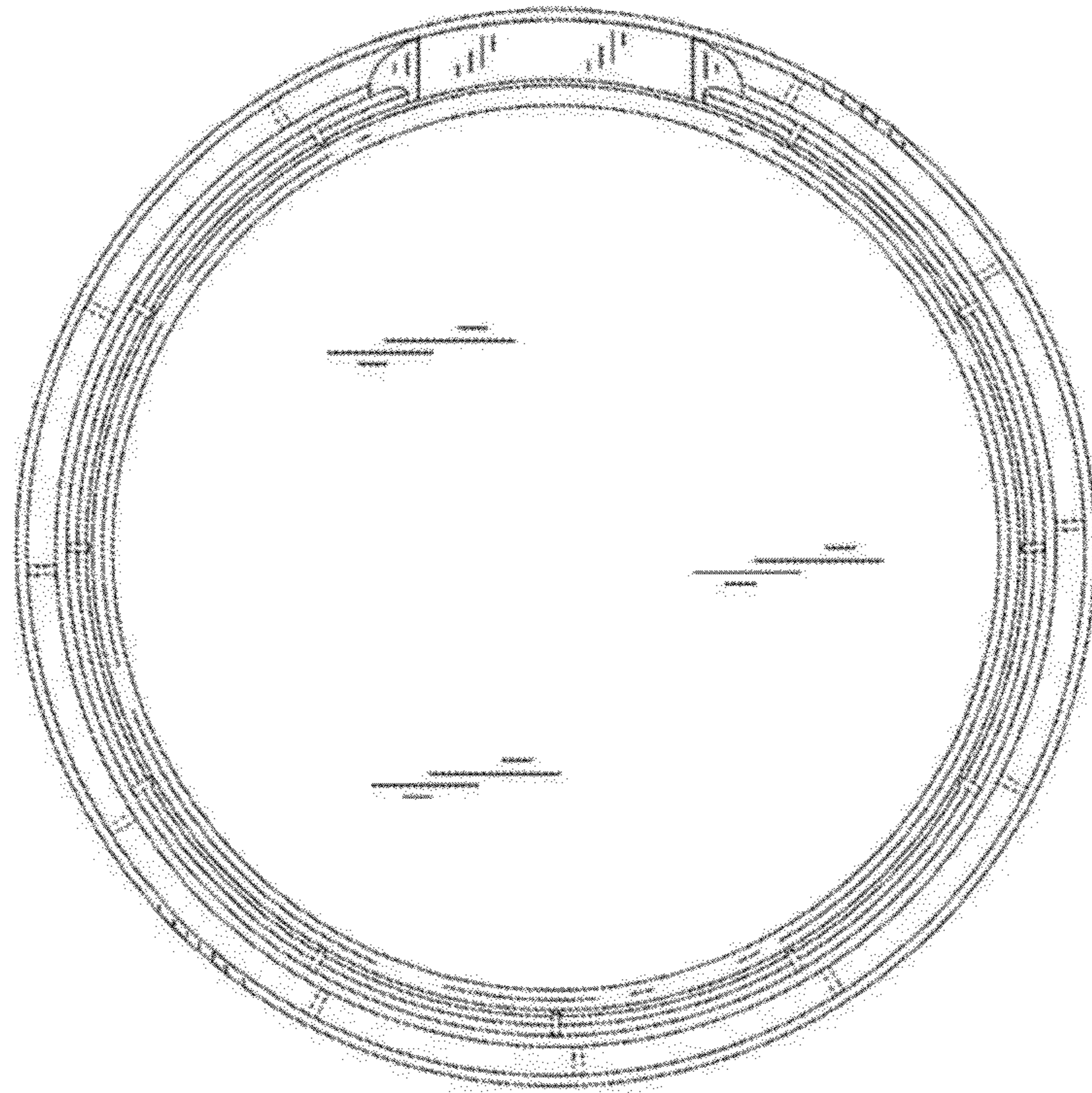


FIG. 51

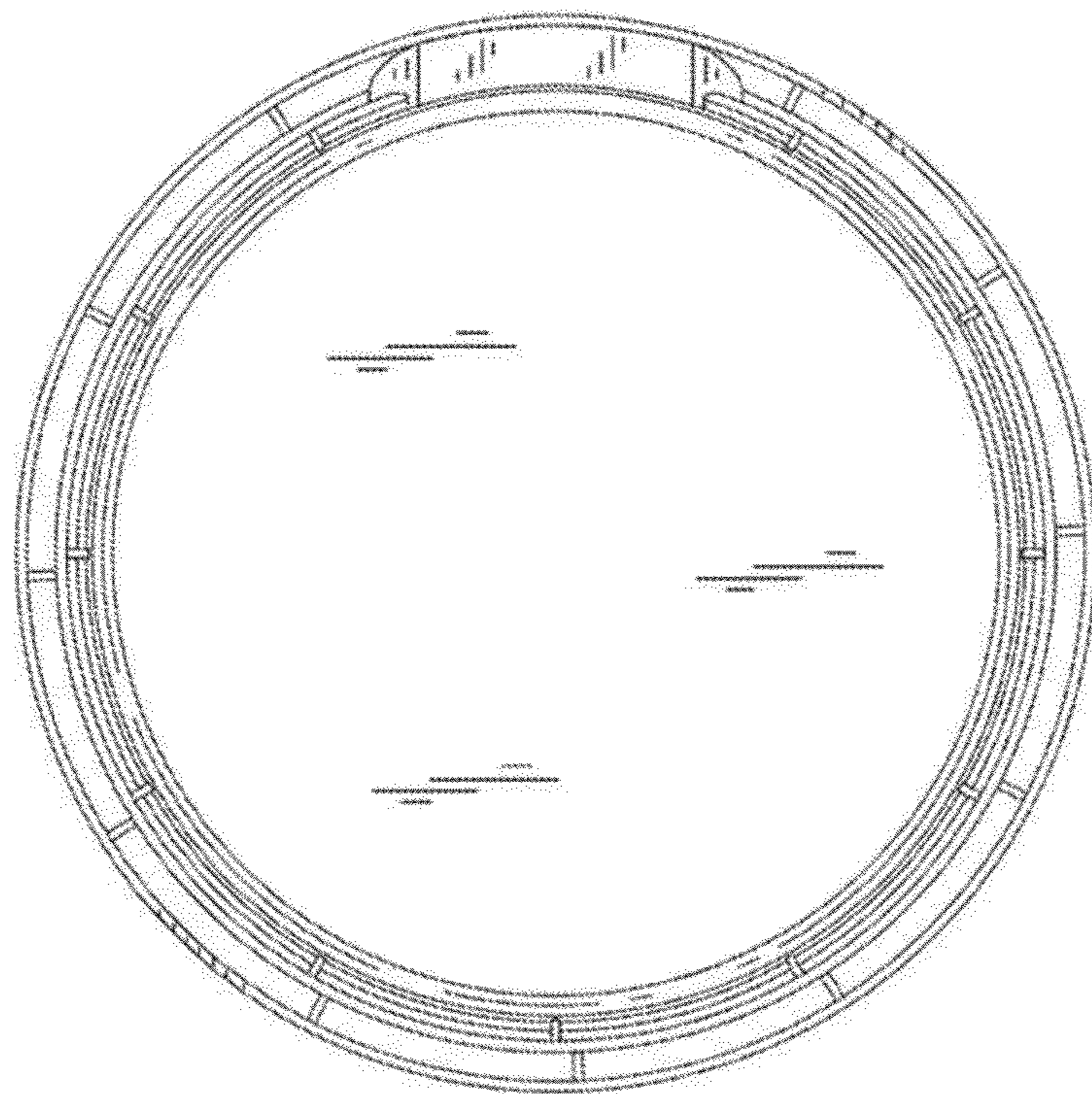


FIG. 52