



US00D719822S

(12) **United States Design Patent**  
**Van Es**

(10) **Patent No.:** **US D719,822 S**

(45) **Date of Patent:** **\*\* Dec. 23, 2014**

(54) **PICKET FENCE CLIP**

(76) Inventor: **Anton Van Es**, Beamsville (CA)

(\*\*) Term: **14 Years**

(21) Appl. No.: **29/427,226**

(22) Filed: **Jul. 16, 2012**

(51) **LOC (10) Cl.** ..... **08-08**

(52) **U.S. Cl.**  
USPC ..... **D8/394; D8/366**

(58) **Field of Classification Search**  
USPC ..... D8/354, 356, 371, 394-396, 370, 349;  
D19/65, 86; D24/128; 248/74.2, 215,  
248/227.1, 49, 300, 301, 316.7, 51, 489,  
248/302; 24/570, 3.12, DIG. 9, 546; 256/47,  
256/65, 65.01, 71; D3/203.3; D21/392;  
D11/209

See application file for complete search history.

(56) **References Cited**

**U.S. PATENT DOCUMENTS**

D255,321	S *	6/1980	Stelman	.....	D8/349
4,982,932	A *	1/1991	Baker	.....	256/47
6,050,549	A *	4/2000	Foy	.....	256/57
D450,561	S *	11/2001	Moore et al.	.....	D8/349
D450,568	S *	11/2001	Sachs	.....	D8/382
6,418,988	B1 *	7/2002	Palumbo et al.	.....	141/392
6,499,514	B1 *	12/2002	Hodge, Sr.	.....	140/57
D495,239	S *	8/2004	Neal, III	.....	D8/349
6,802,495	B1 *	10/2004	Schmidt	.....	256/57
D576,867	S *	9/2008	Kretz	.....	D8/356
D583,225	S *	12/2008	McNeill	.....	D8/394
D586,205	S *	2/2009	Robbins et al.	.....	D8/380
D586,206	S *	2/2009	Robbins et al.	.....	D8/380
7,637,481	B2 *	12/2009	Forero	.....	256/54
7,673,852	B2 *	3/2010	Gibson et al.	.....	256/19
D619,444	S *	7/2010	Oyegoke	.....	D8/349

7,819,390	B2 *	10/2010	Godwin et al.	.....	256/22
D672,227	S *	12/2012	Hendricks	.....	D8/394
D672,228	S *	12/2012	Hendricks	.....	D8/394
2011/0272550	A1 *	11/2011	Foltz et al.	.....	248/309.1

\* cited by examiner

*Primary Examiner* — Mark Goodwin

(57) **CLAIM**

The ornamental design for a picket fence clip, as shown and described.

**DESCRIPTION**

FIG. 1 is a top plan view of a picket fence clip of the present design, wherein the dashed lines are the environment of the fence clips shown in use and form no part of the claimed design.

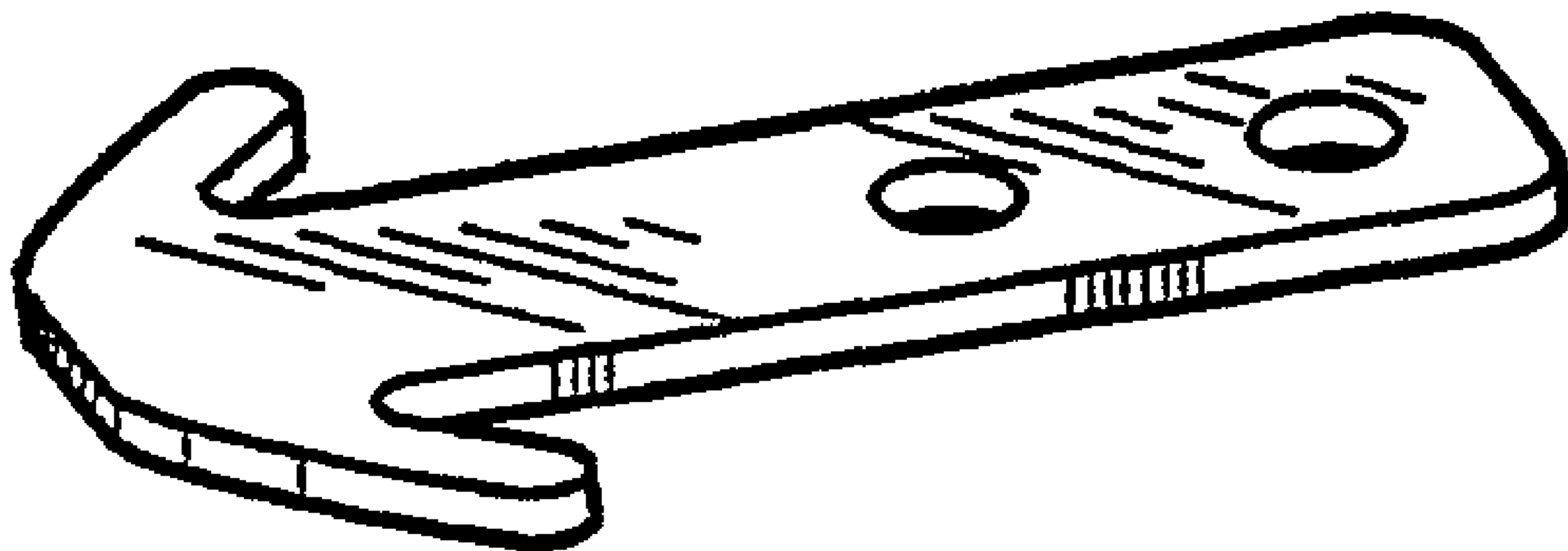
FIG. 2 is a top front left side perspective view of the picket fence clip of the present design shown in FIG. 1.

FIG. 3 is a bottom rear right side perspective view of the picket fence clip of the present design shown in FIG. 1.

FIG. 4 is a top rear right side perspective view of the picket fence clip of the present design shown in FIG. 1 when assembled with the picket, wherein the break lines indicate indeterminate length of the picket, and the dashed lines are the environment of the fence clips shown in use and form no part of the claimed design; and,

FIG. 5 is a top front left side perspective view of the picket fence clip of the present design shown in FIG. 1 when assembled with the picket, wherein the break lines indicate indeterminate length of the picket, the dashed lines are the environment of the fence clips shown in use and form no part of the claimed design.

**1 Claim, 1 Drawing Sheet**



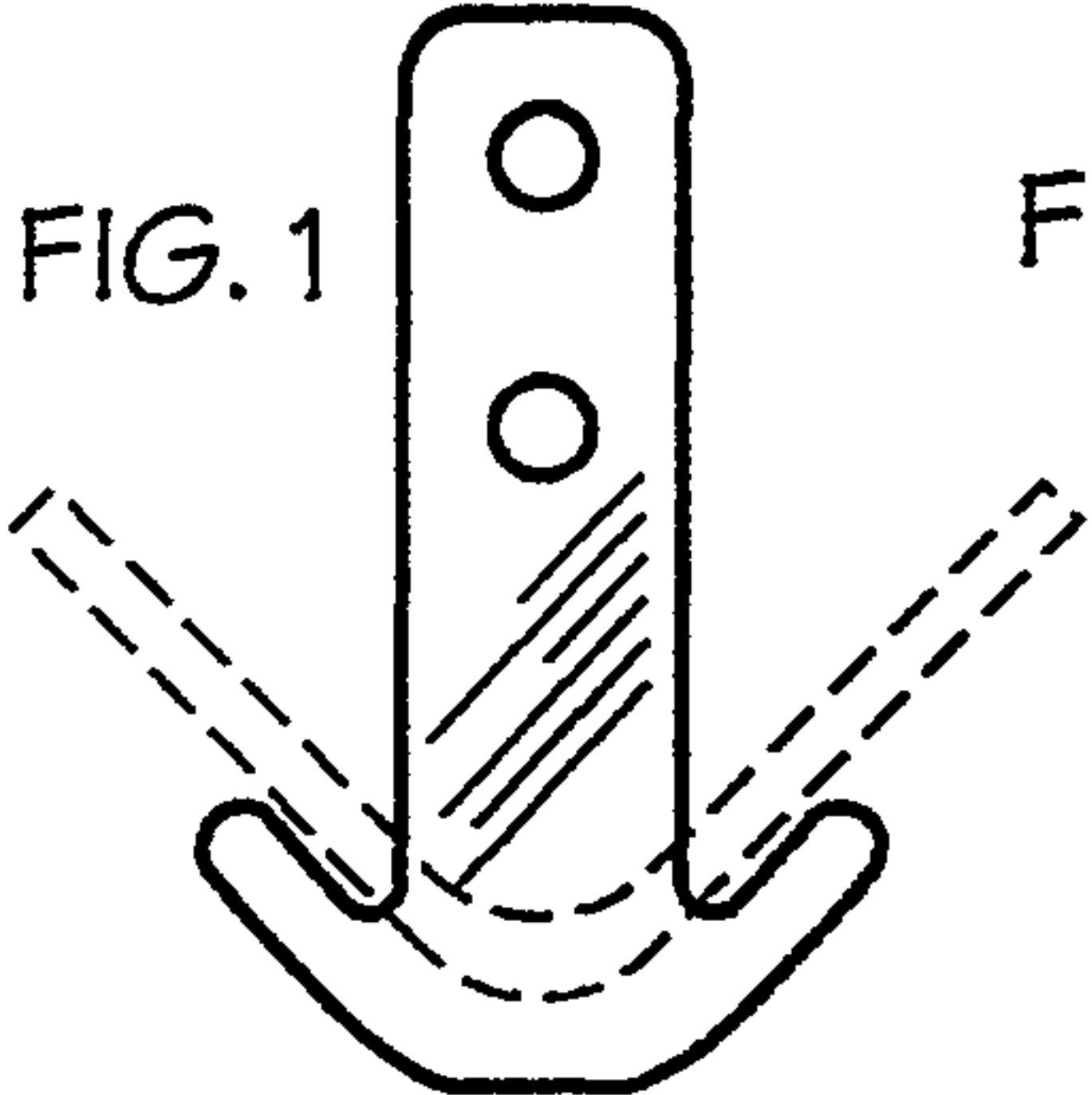


FIG. 1

FIG. 2

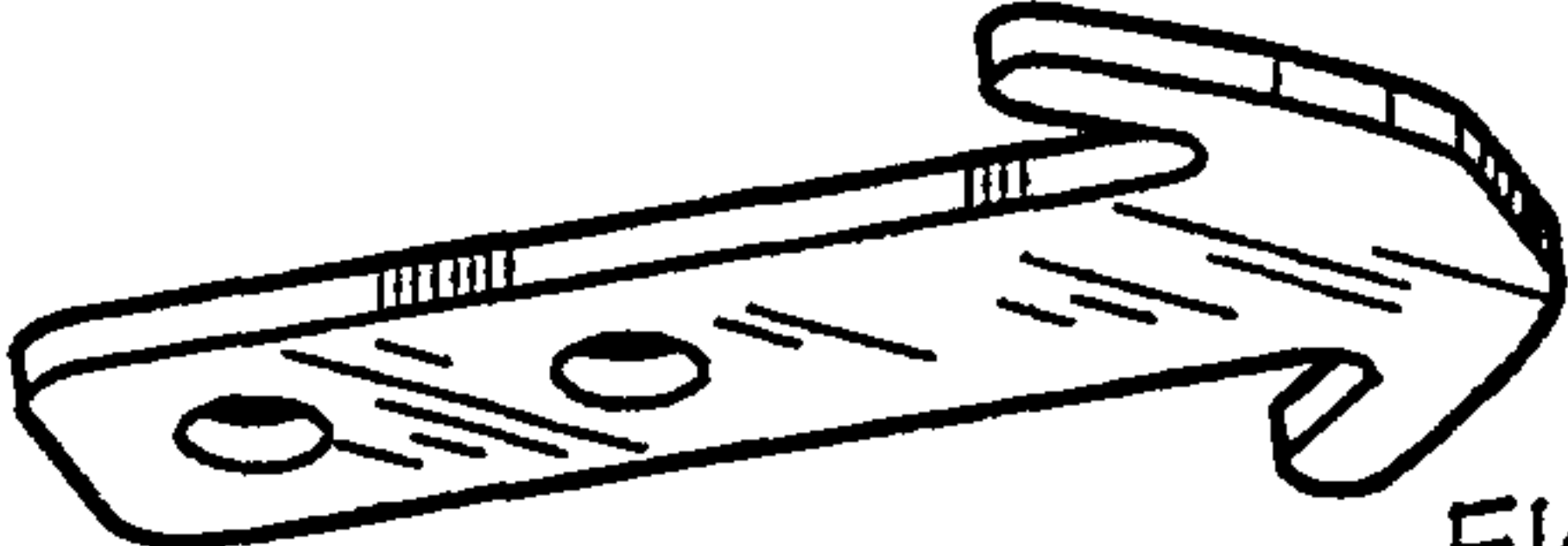
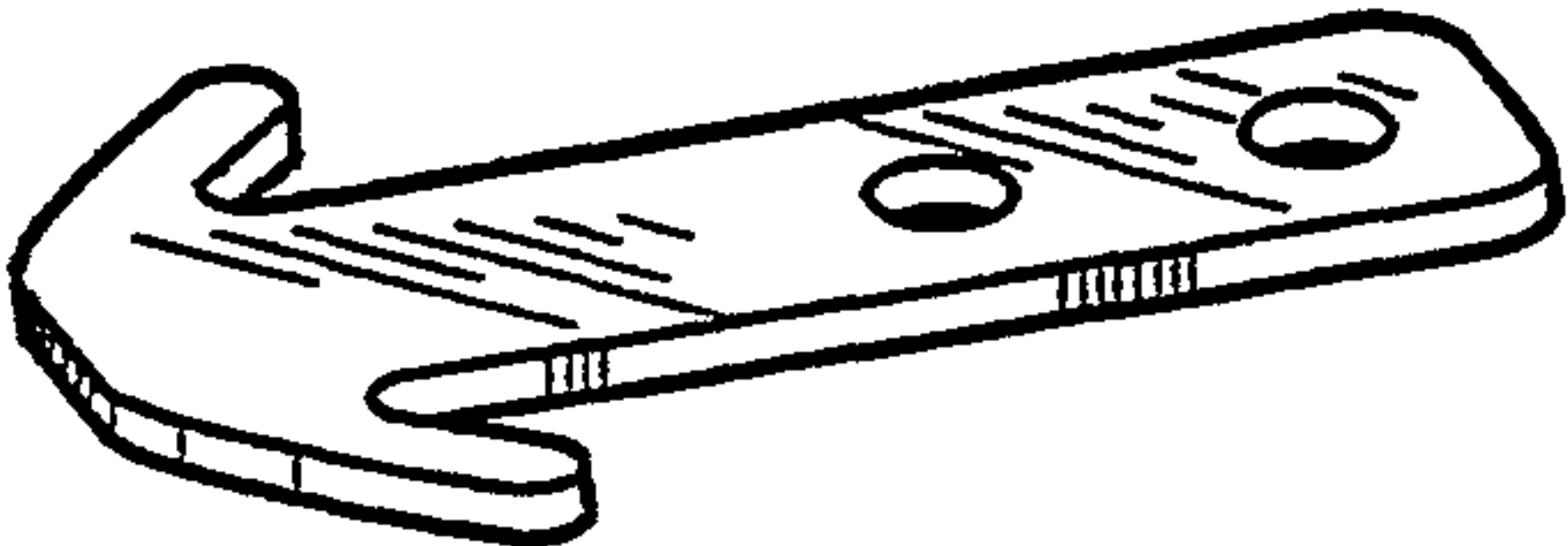


FIG. 3

FIG. 4

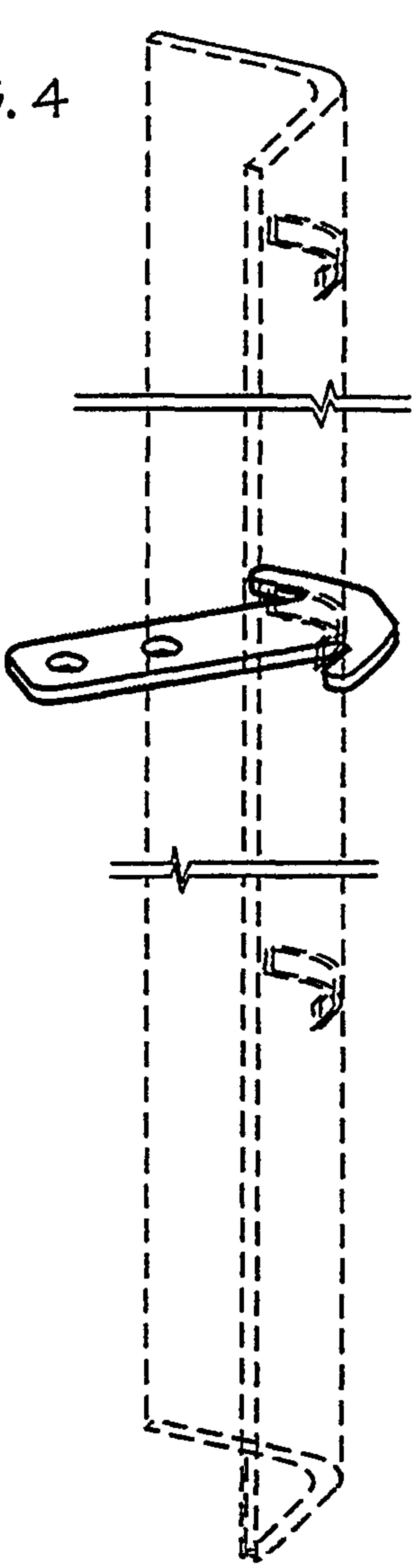


FIG. 5

