



US00D719819S

(12) **United States Design Patent**
Goodman et al.

(10) **Patent No.:** **US D719,819 S**
(45) **Date of Patent:** **** Dec. 23, 2014**

- (54) **HOOK**
- (71) Applicant: **Spectrum Diversified Designs, Inc.**,
Streetsboro, OH (US)
- (72) Inventors: **Sheldon H. Goodman**, Solon, OH (US);
Phaysouk Xayoiphonh, Akron, OH
(US)
- (73) Assignee: **Spectrum Diversified Designs, Inc.**,
Streetsboro, OH (US)
- (**) Term: **14 Years**
- (21) Appl. No.: **29/446,961**
- (22) Filed: **Feb. 28, 2013**
- (51) **LOC (10) Cl.** **08-05**
- (52) **U.S. Cl.**
USPC **D8/372**
- (58) **Field of Classification Search**
USPC D6/318, 319, 512, 553, 320, 323, 567;
D8/372, 349, 354, 366, 371, 380;
248/690, 692, 95, 100
See application file for complete search history.

D574,224 S *	8/2008	Zhang	D8/372
D576,021 S *	9/2008	Goodman et al.	D8/372
D613,590 S *	4/2010	Goodman et al.	D8/372
D632,549 S *	2/2011	Williams	D8/367
D635,846 S *	4/2011	Klein et al.	D8/372
D654,705 S *	2/2012	Goodman et al.	D6/323
D695,532 S *	12/2013	Goodman et al.	D6/323
D699,971 S *	2/2014	Goodman et al.	D6/549
D700,044 S *	2/2014	Goodman et al.	D8/372
D702,539 S *	4/2014	Goodman et al.	D8/372

* cited by examiner

Primary Examiner — Deanna L Pratt

Assistant Examiner — Ieisha Price

(74) *Attorney, Agent, or Firm* — Renner, Otto, Boisselle & Sklar, LLP

(57) **CLAIM**

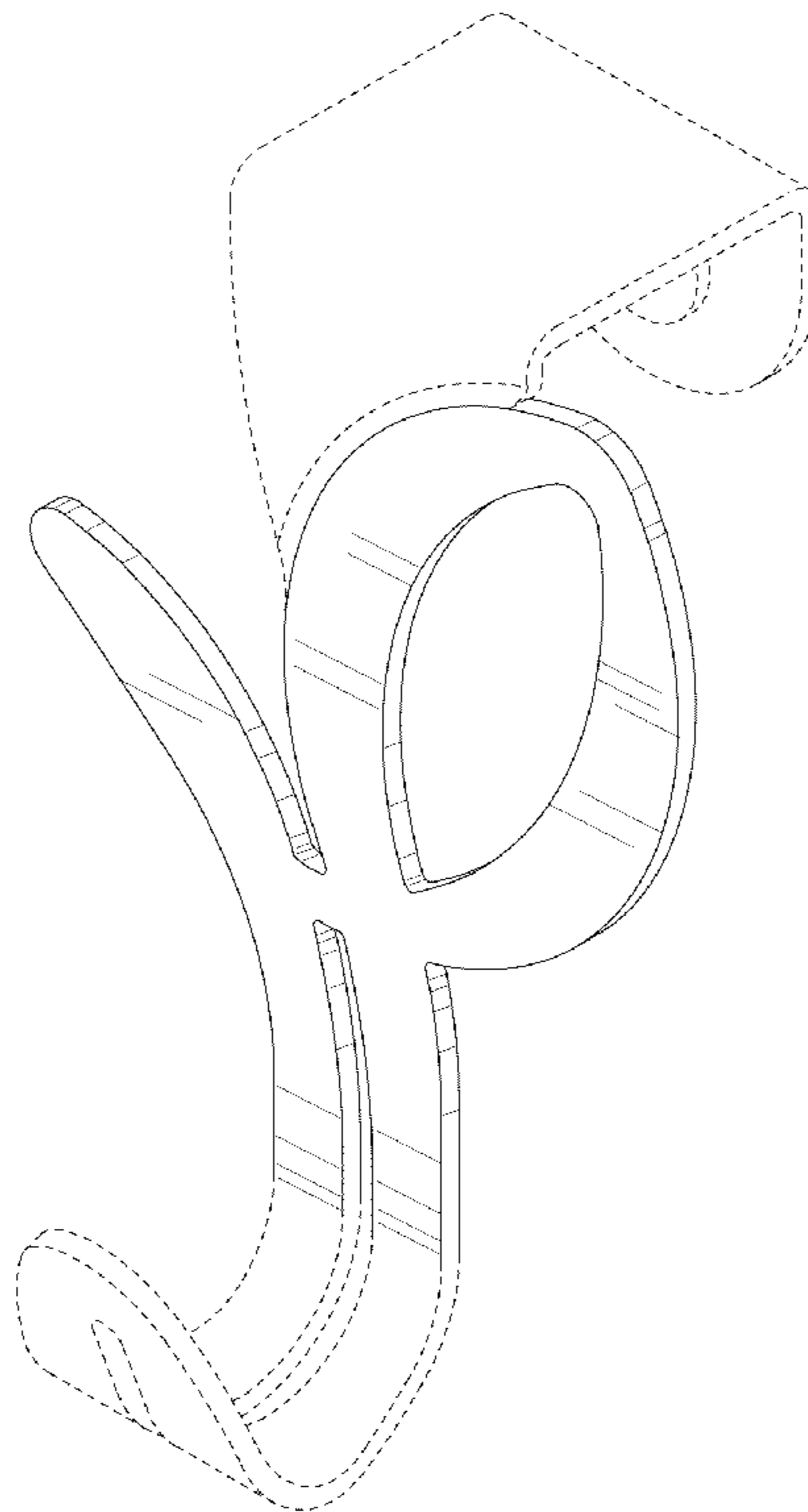
The ornamental design for a hook, as shown and described.

DESCRIPTION

FIG. 1 is a perspective view of a hook showing my new design;
 FIG. 2 is a left side view of the hook;
 FIG. 3 is a front view of the hook;
 FIG. 4 is a right side view of the hook;
 FIG. 5 is a rear view of the hook;
 FIG. 6 is a top view of the hook; and,
 FIG. 7 is a bottom view of the hook.
 The broken lines in the drawings illustrate portions of the hook which form no part of the claimed design.

1 Claim, 3 Drawing Sheets

- (56) **References Cited**
U.S. PATENT DOCUMENTS
- 276,462 A * 4/1883 Porter 211/106.01
- D52,345 S * 8/1918 Rosen D8/368
- D482,600 S * 11/2003 Dretzka D8/367
- D557,120 S * 12/2007 Snell D8/372



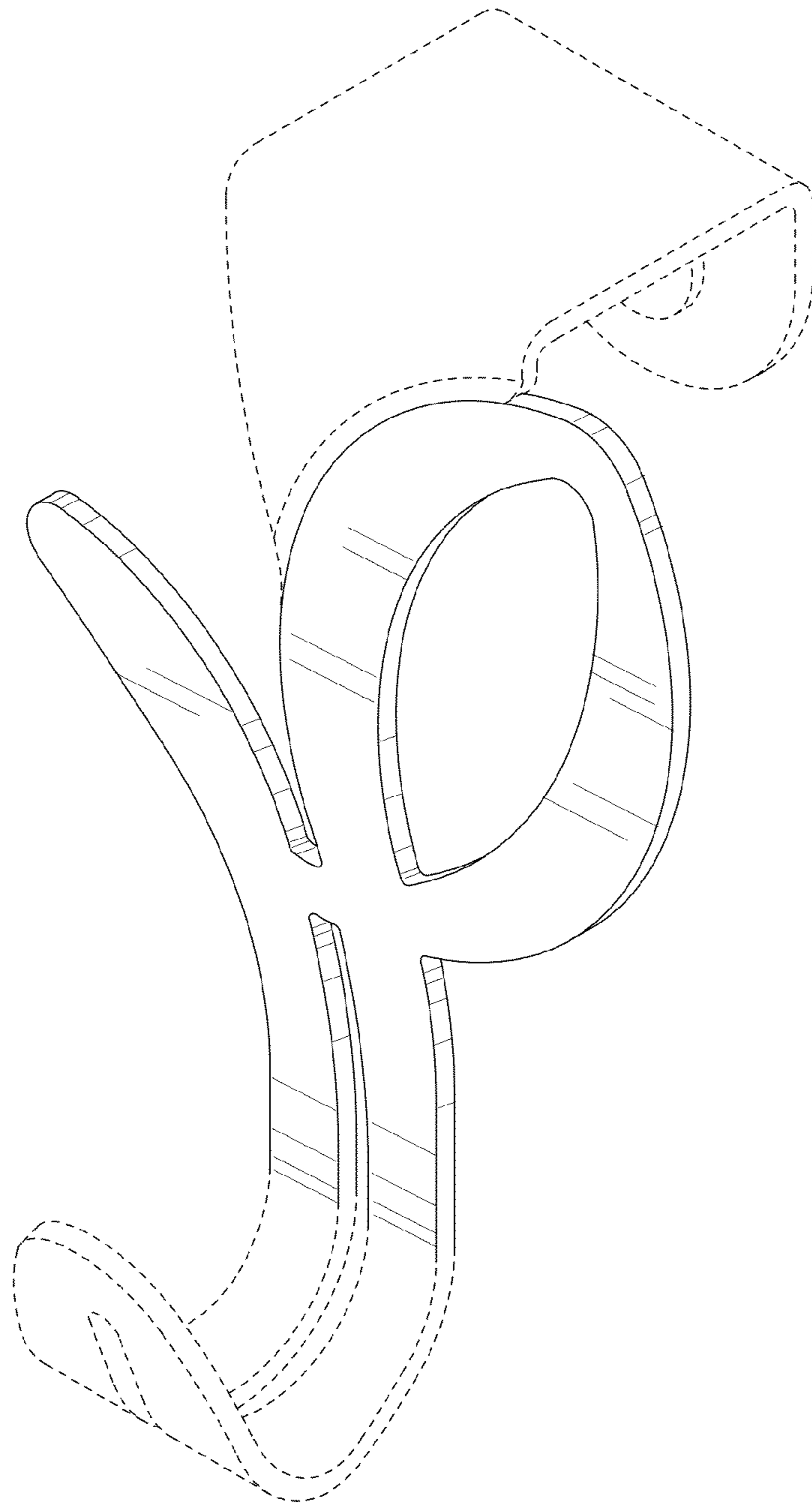


FIG. 1

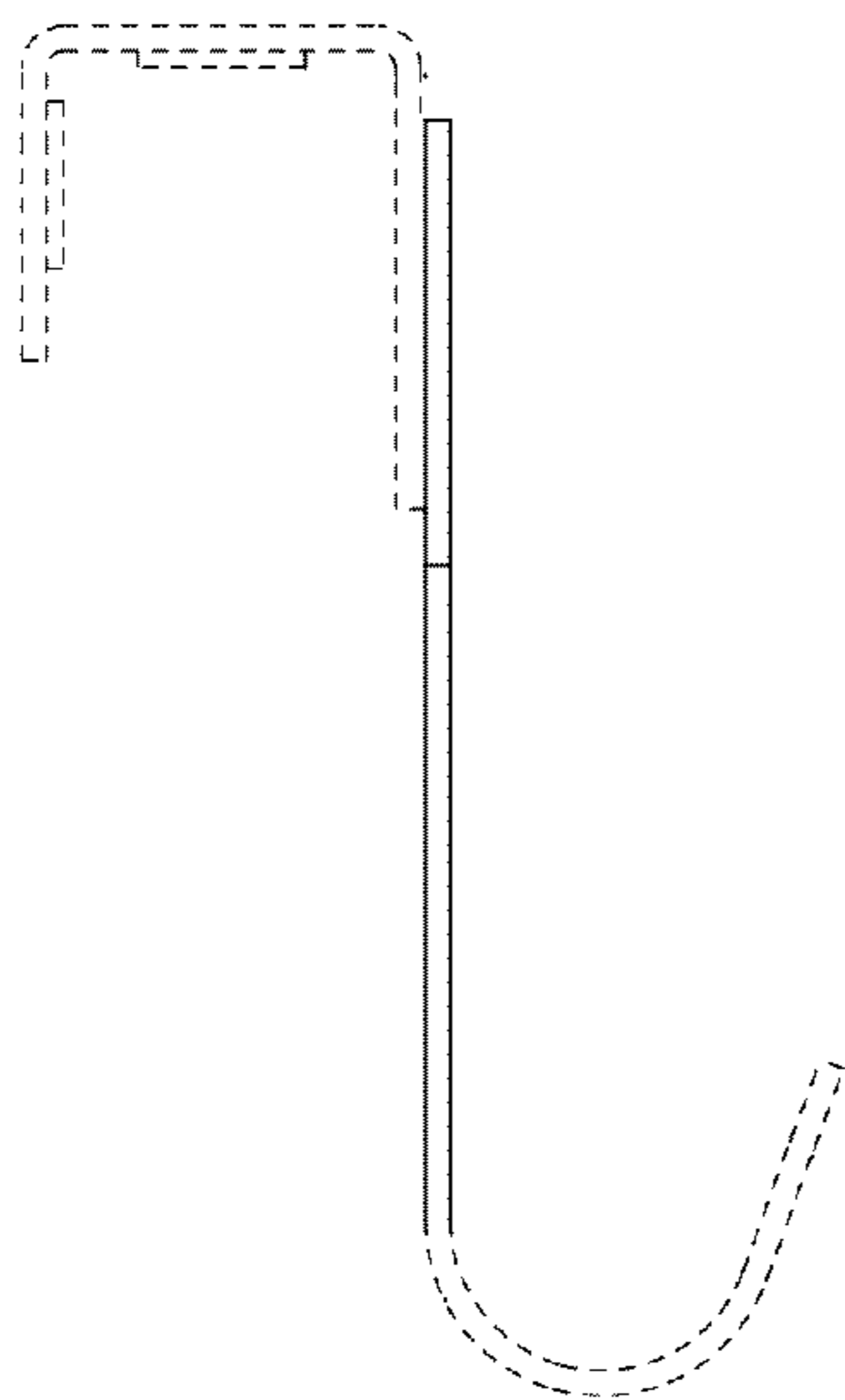


FIG. 2

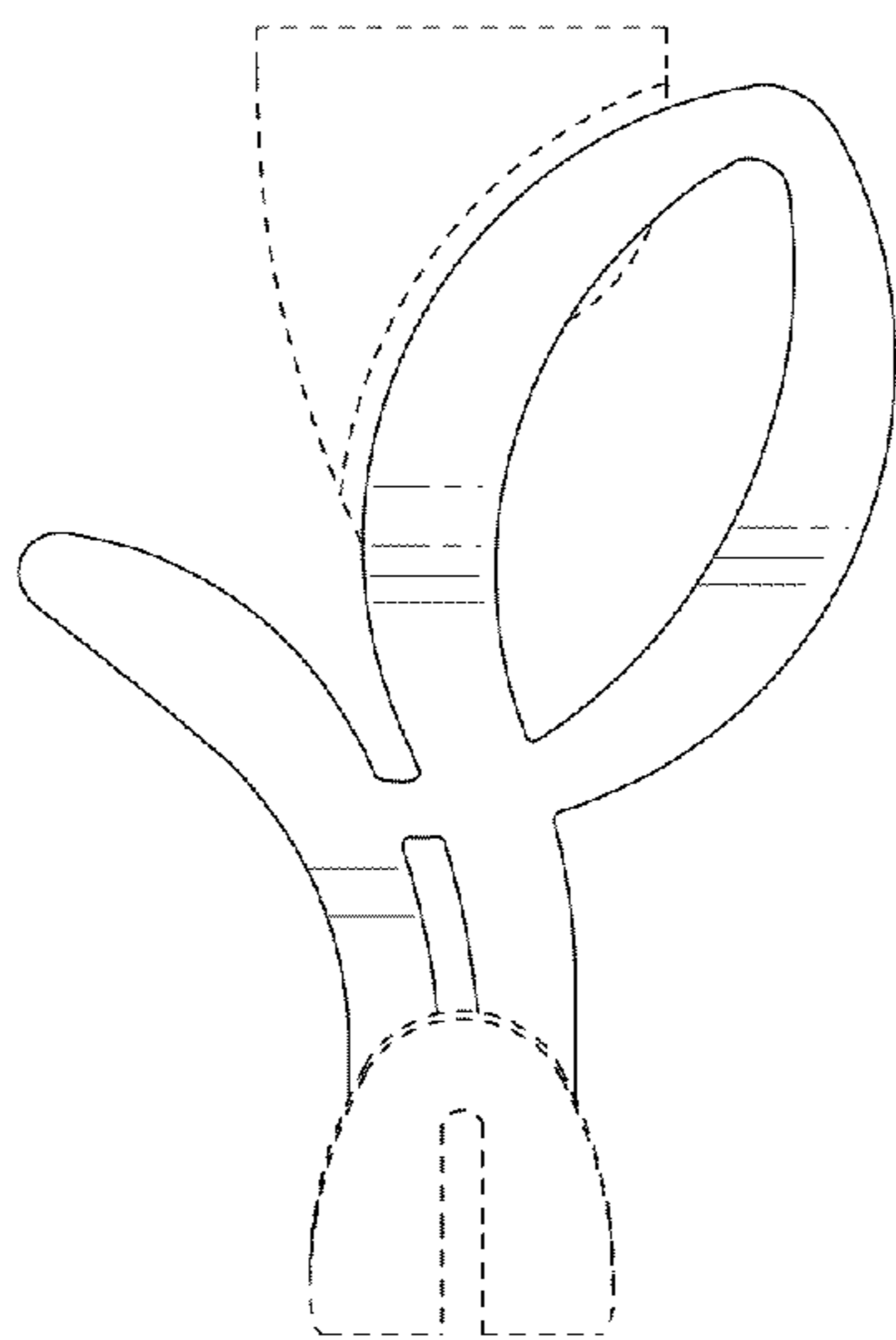


FIG. 3

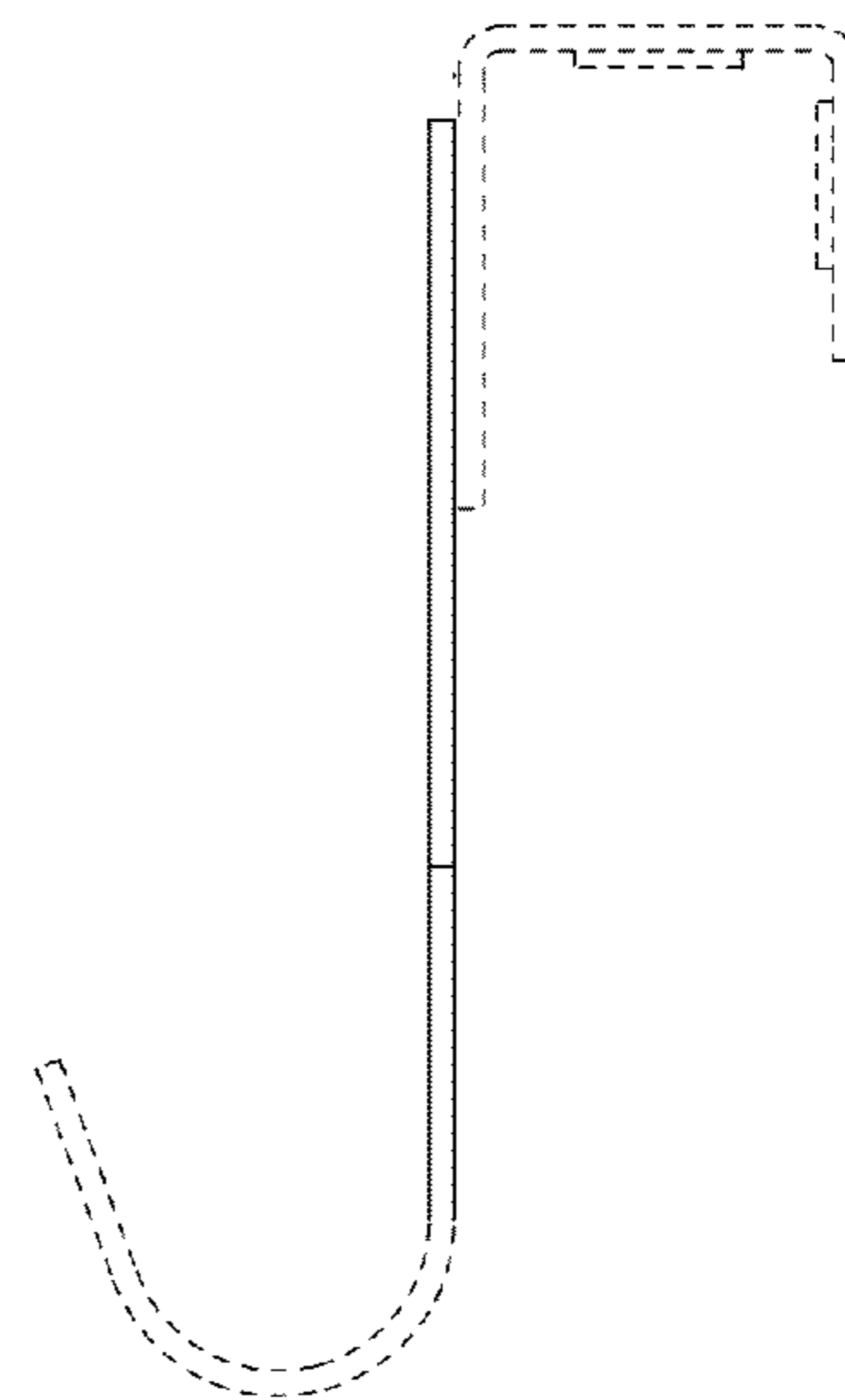


FIG. 4

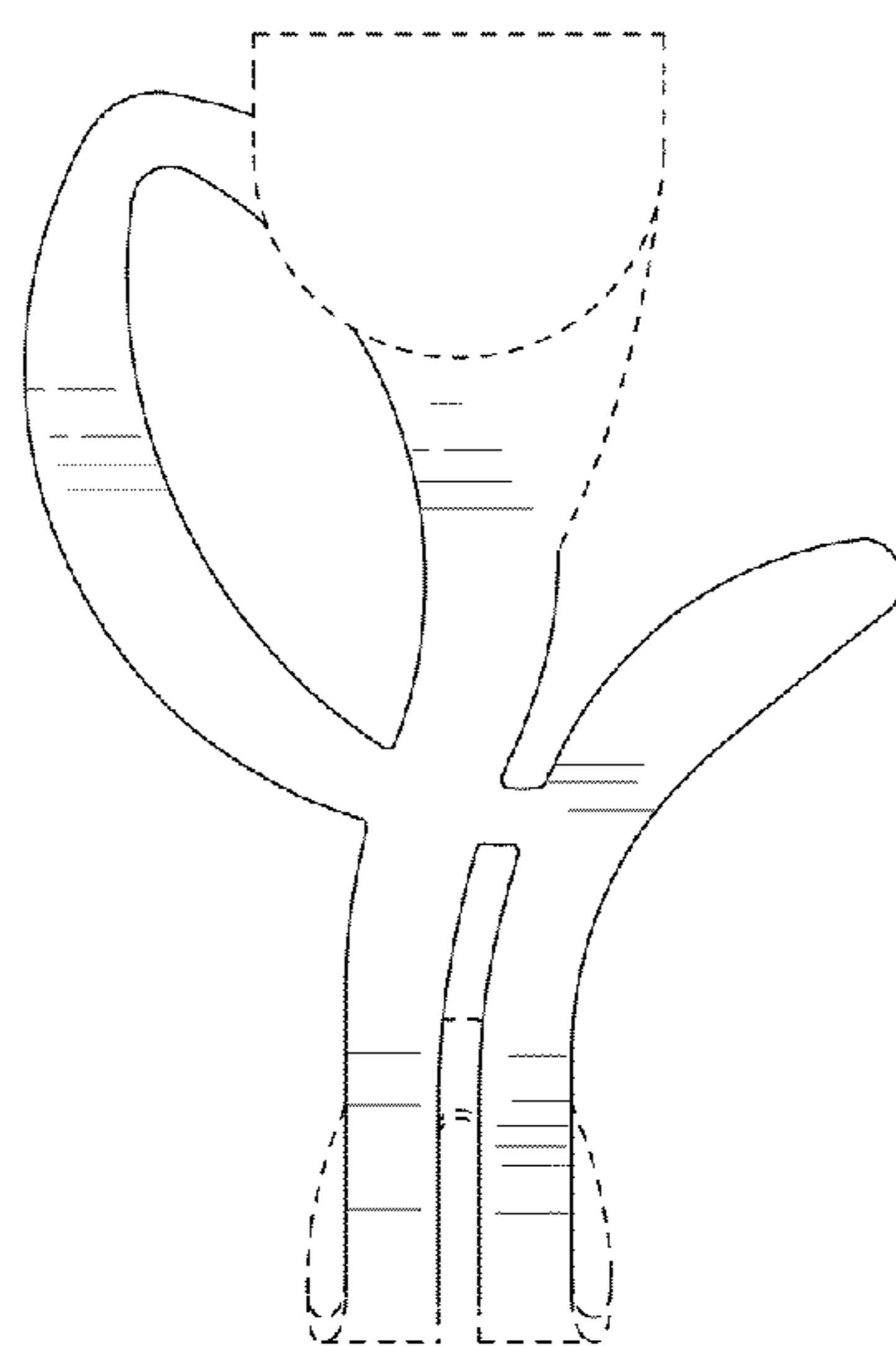


FIG. 5

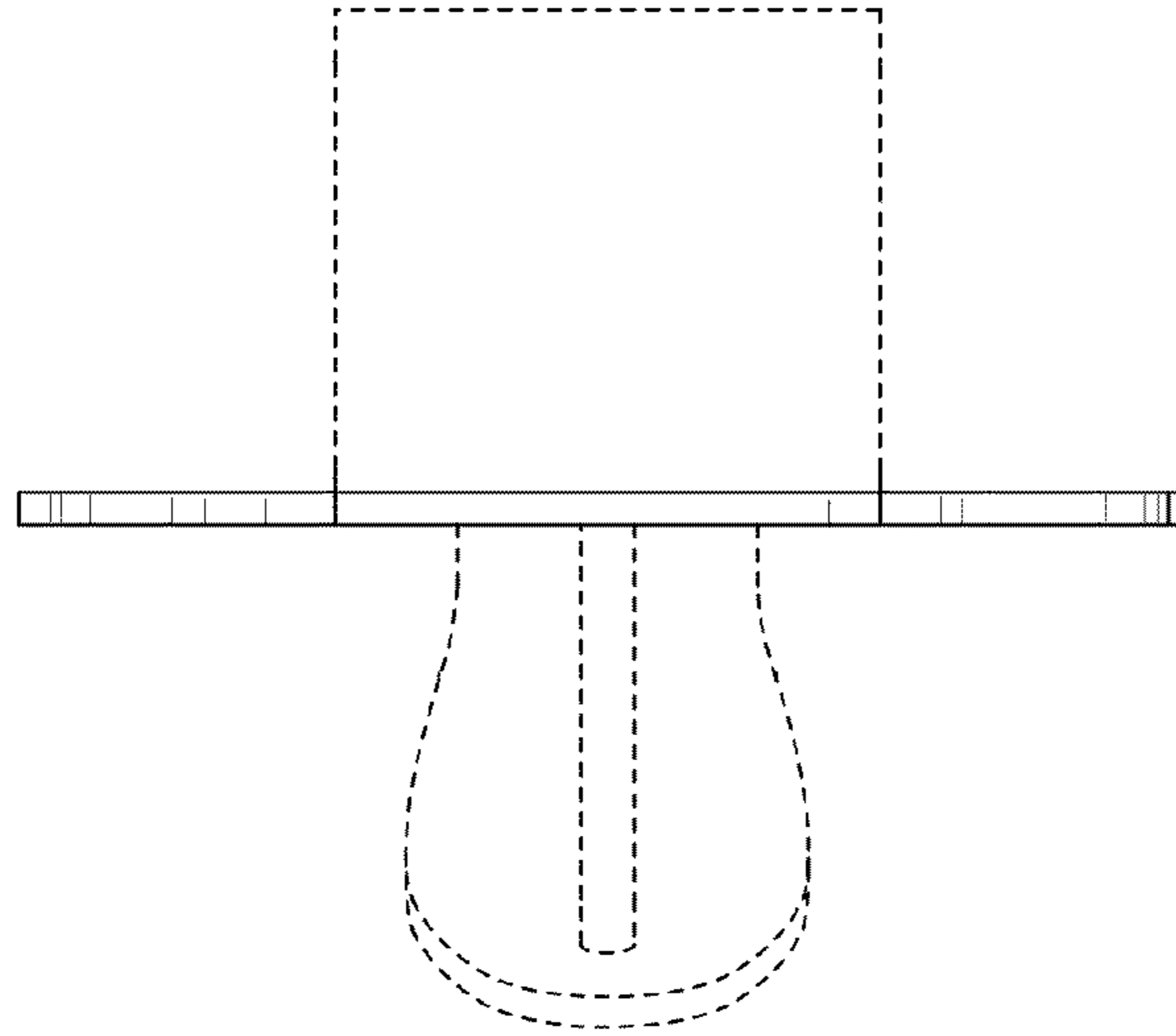


FIG. 6

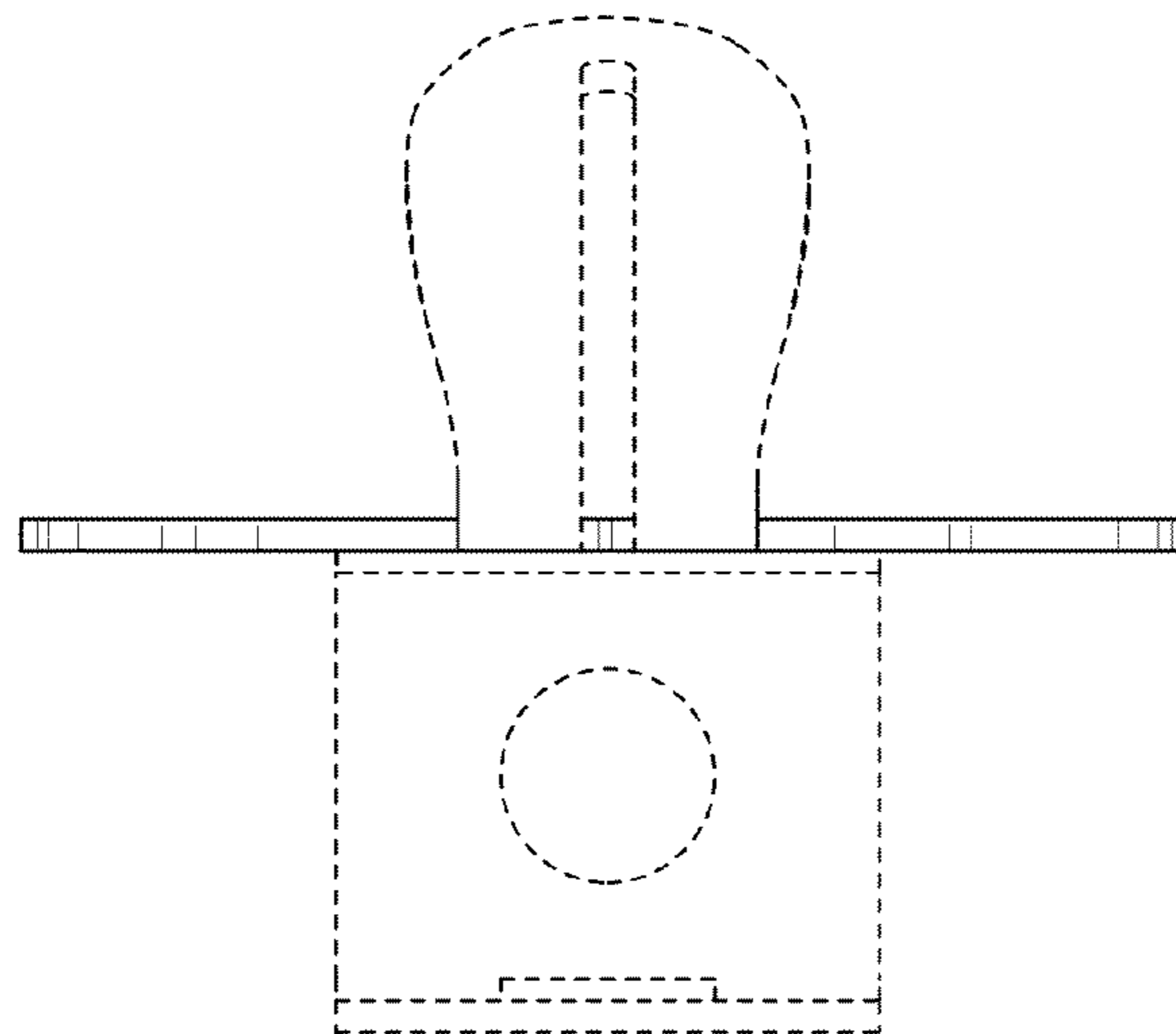


FIG. 7