



US00D719816S

(12) **United States Design Patent**  
**Lin**

(10) **Patent No.:** **US D719,816 S**

(45) **Date of Patent:** **\*\* Dec. 23, 2014**

(54) **LOCK**

(71) Applicant: **Sinox Co., Ltd**, New Taipei (TW)

(72) Inventor: **Chih-Wei Lin**, New Taipei (TW)

(73) Assignee: **Sinox Co., Ltd.**, New Taipei (TW)

(\*\*) Term: **14 Years**

(21) Appl. No.: **29/477,975**

(22) Filed: **Dec. 30, 2013**

(51) **LOC (10) Cl.** ..... **08-07**

(52) **U.S. Cl.**  
USPC ..... **D8/339; D8/330**

(58) **Field of Classification Search**  
CPC ..... E05B 9/02; E05B 15/00; E05B 17/00;  
E05B 55/00; E05B 59/00; E05B 61/00;  
E05B 63/00; E05B 71/00; E05B 75/00  
USPC ..... D8/330, 331, 338, 339, 342; 70/20, 23,  
70/15, 25, 26, 27, 28, 30, 57.1, 51, 233,  
70/465, 466

See application file for complete search history.

(56) **References Cited**

**U.S. PATENT DOCUMENTS**

4,162,622 A \* 7/1979 Daleo ..... 70/16  
6,397,640 B1 \* 6/2002 Williams ..... 66/117  
D553,473 S \* 10/2007 Neri et al. .... D8/339  
7,316,135 B2 \* 1/2008 Parsons ..... 70/16  
D657,657 S \* 4/2012 Golling ..... D8/339

D658,037 S \* 4/2012 Golling ..... D8/339  
D660,683 S \* 5/2012 Golling ..... D8/339  
D660,684 S \* 5/2012 Golling ..... D8/339  
8,336,345 B2 \* 12/2012 Burgoon ..... 70/16  
8,635,750 B1 \* 1/2014 Ginocchio ..... 24/484

\* cited by examiner

*Primary Examiner* — Prabhakar Deshmukh

(74) *Attorney, Agent, or Firm* — Birch, Stewart, Kolasch & Birch, LLP

(57) **CLAIM**

The ornamental design for a lock, as shown and described.

**DESCRIPTION**

FIG. 1 is a front perspective view of a lock showing my new design;

FIG. 2 is a front elevational view thereof;

FIG. 3 is a rear elevational view thereof;

FIG. 4 is a left side elevational view thereof;

FIG. 5 is a right side elevational view thereof;

FIG. 6 is a top plan view thereof;

FIG. 7 is a bottom plan view thereof;

FIG. 8 is an exploded perspective view thereof, shown in disassembled condition.

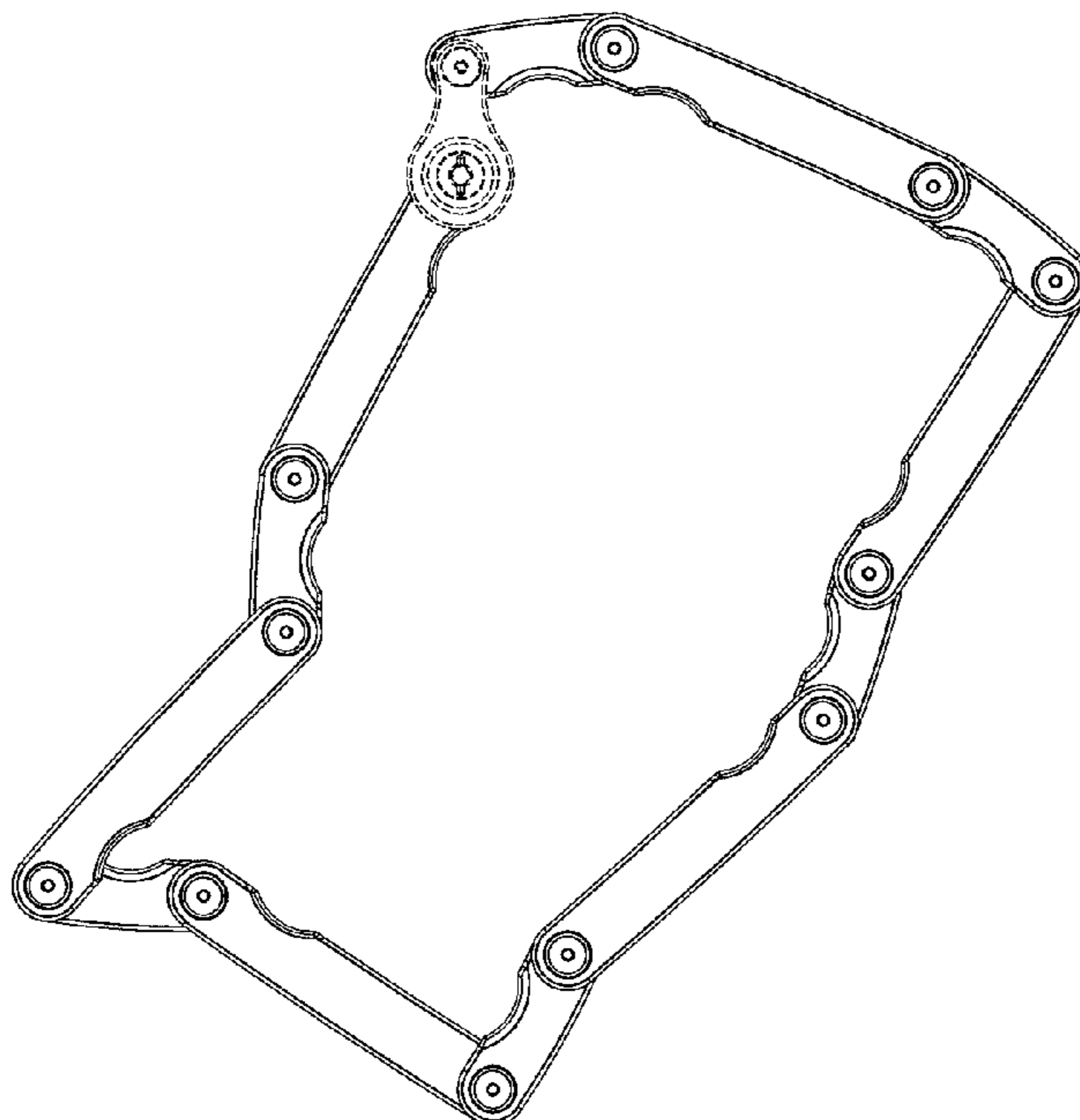
FIG. 9 is another exploded perspective view thereof, shown in alternate position of its disassembled condition;

FIG. 10 is an exploded perspective view thereof; and,

FIG. 11 is another exploded view thereof, in alternate position.

The broken line environment is for illustrative purpose only and forms no part of the claimed design.

**1 Claim, 11 Drawing Sheets**



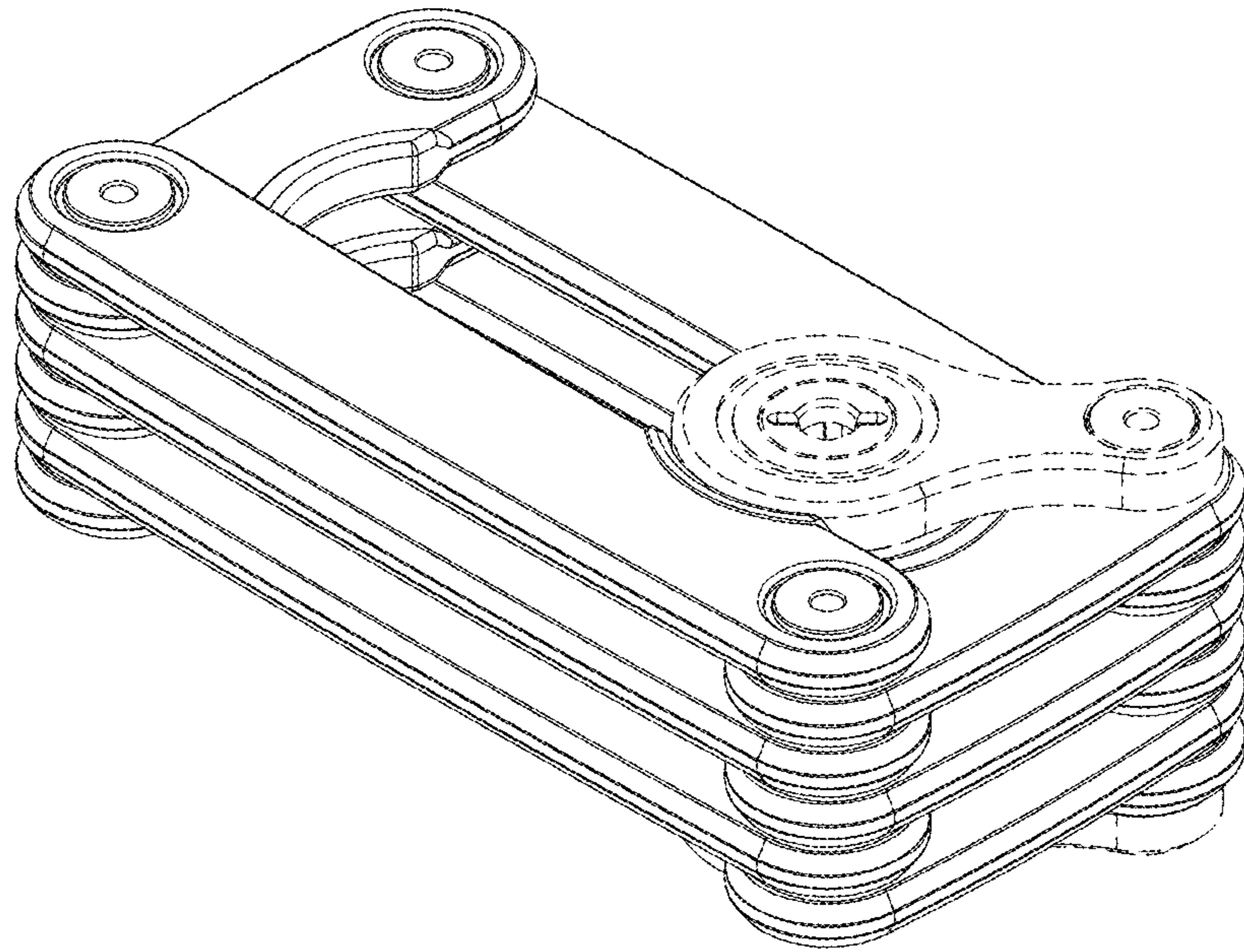


FIG. 1

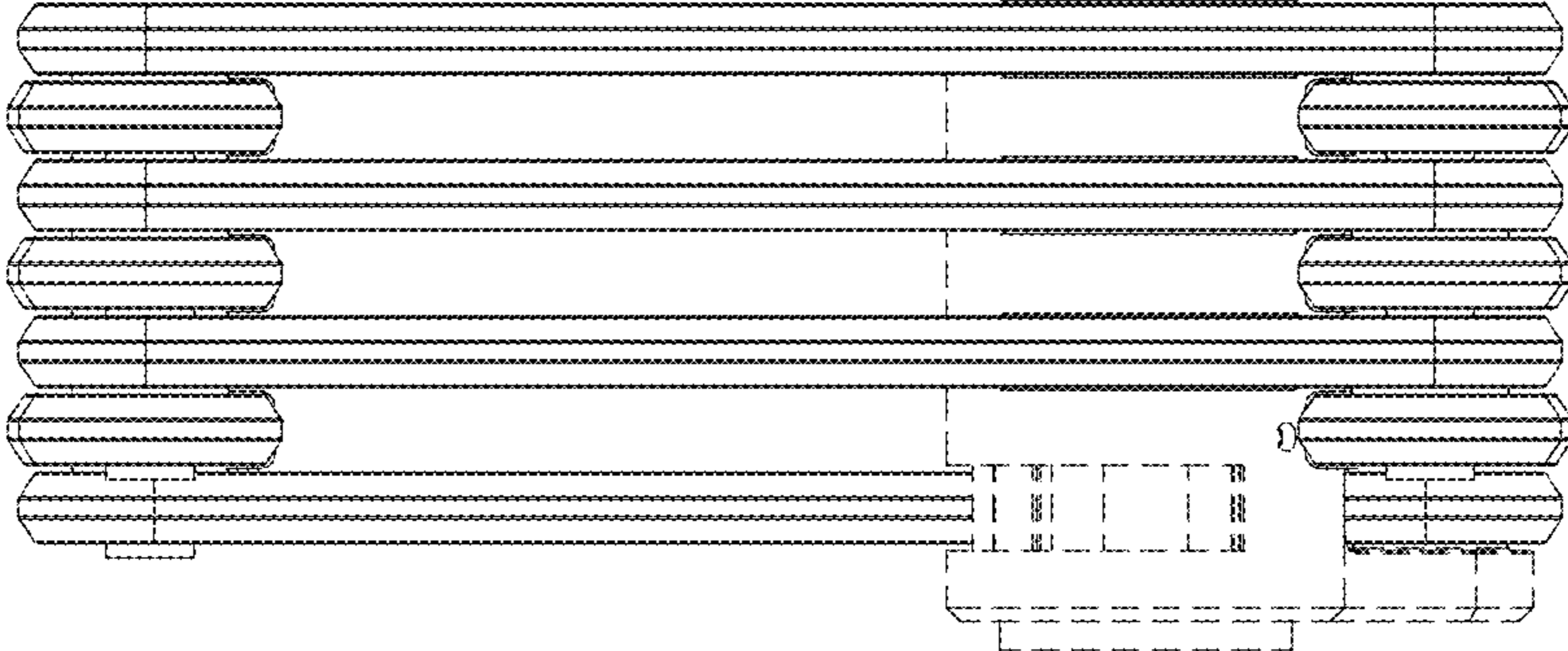


FIG. 2

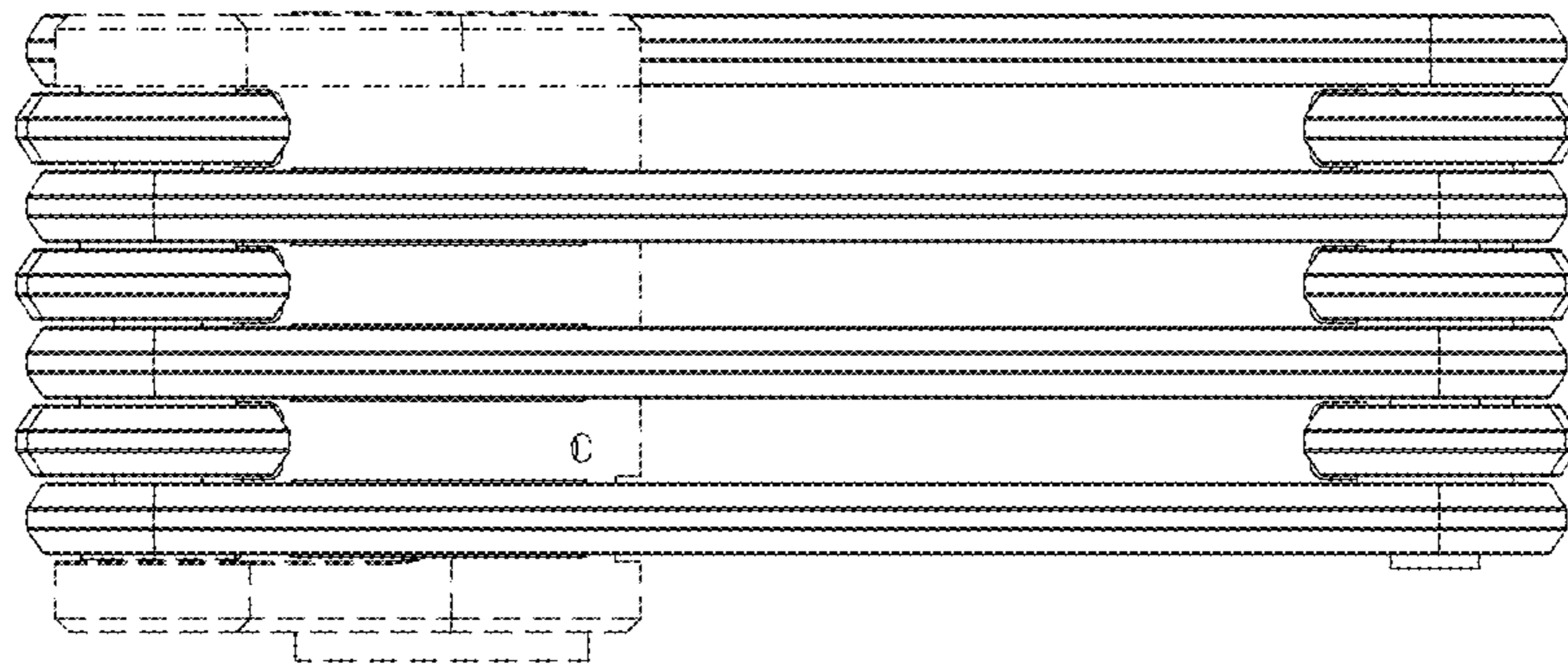


FIG. 3

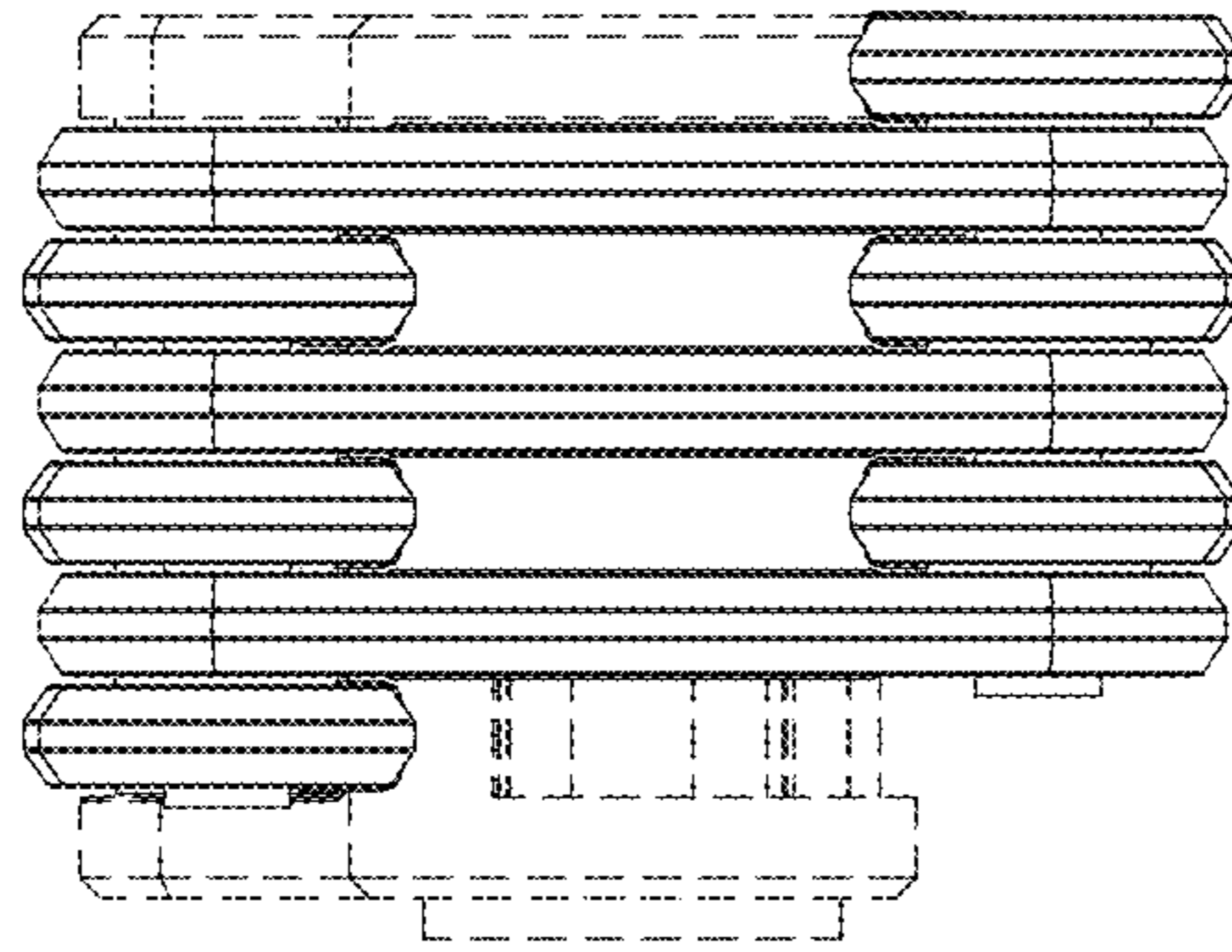


FIG. 4

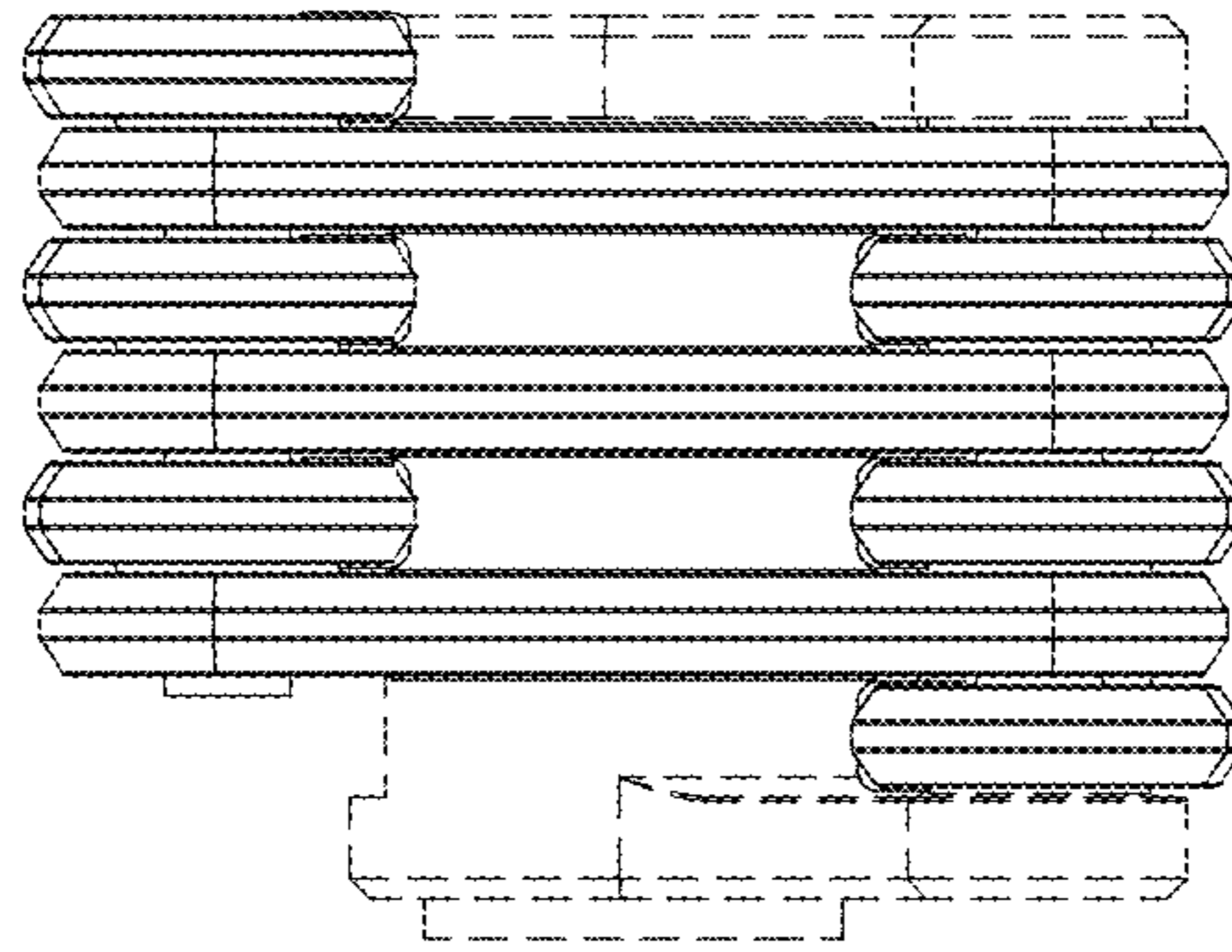


FIG. 5



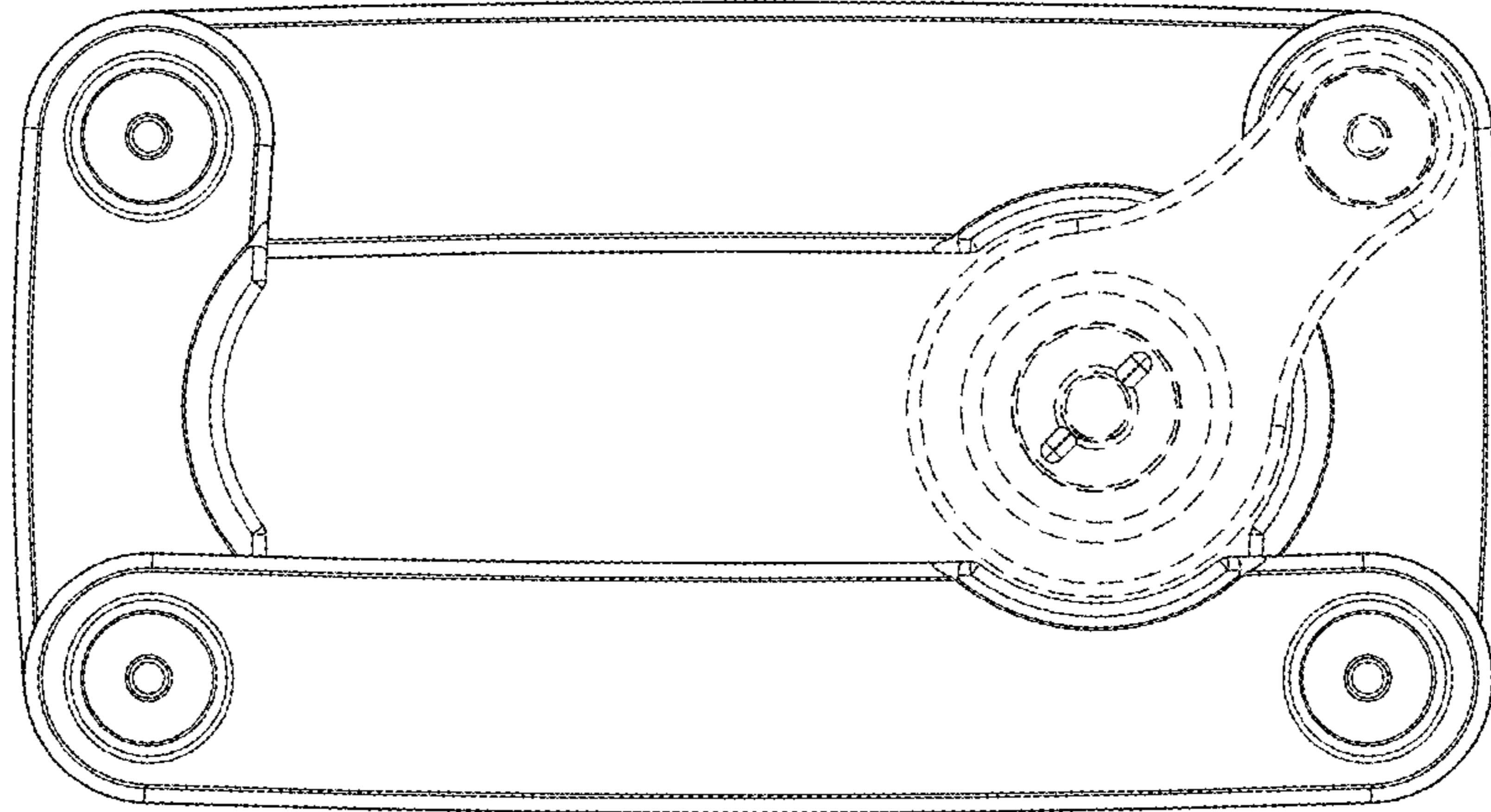


FIG. 6

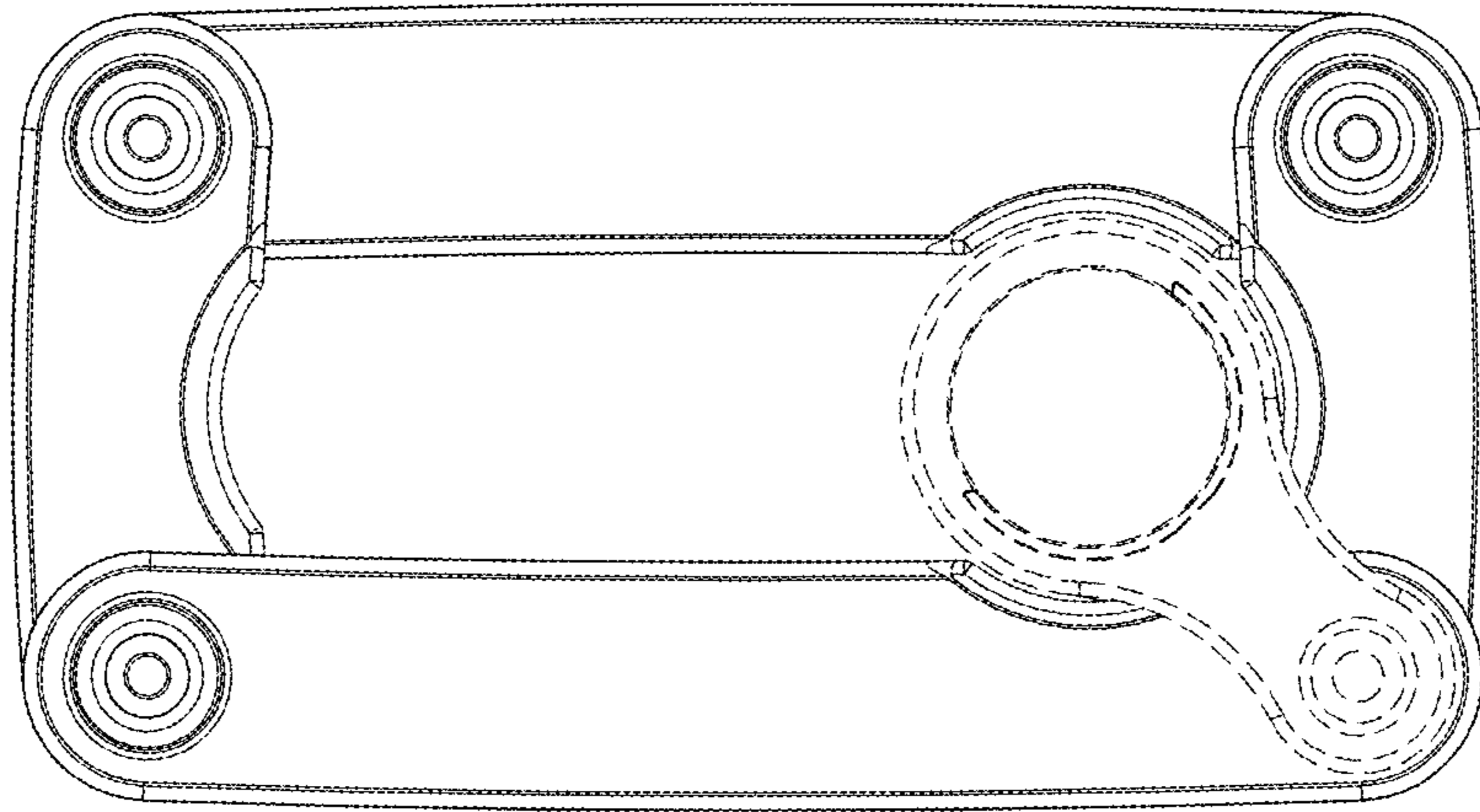


FIG. 7



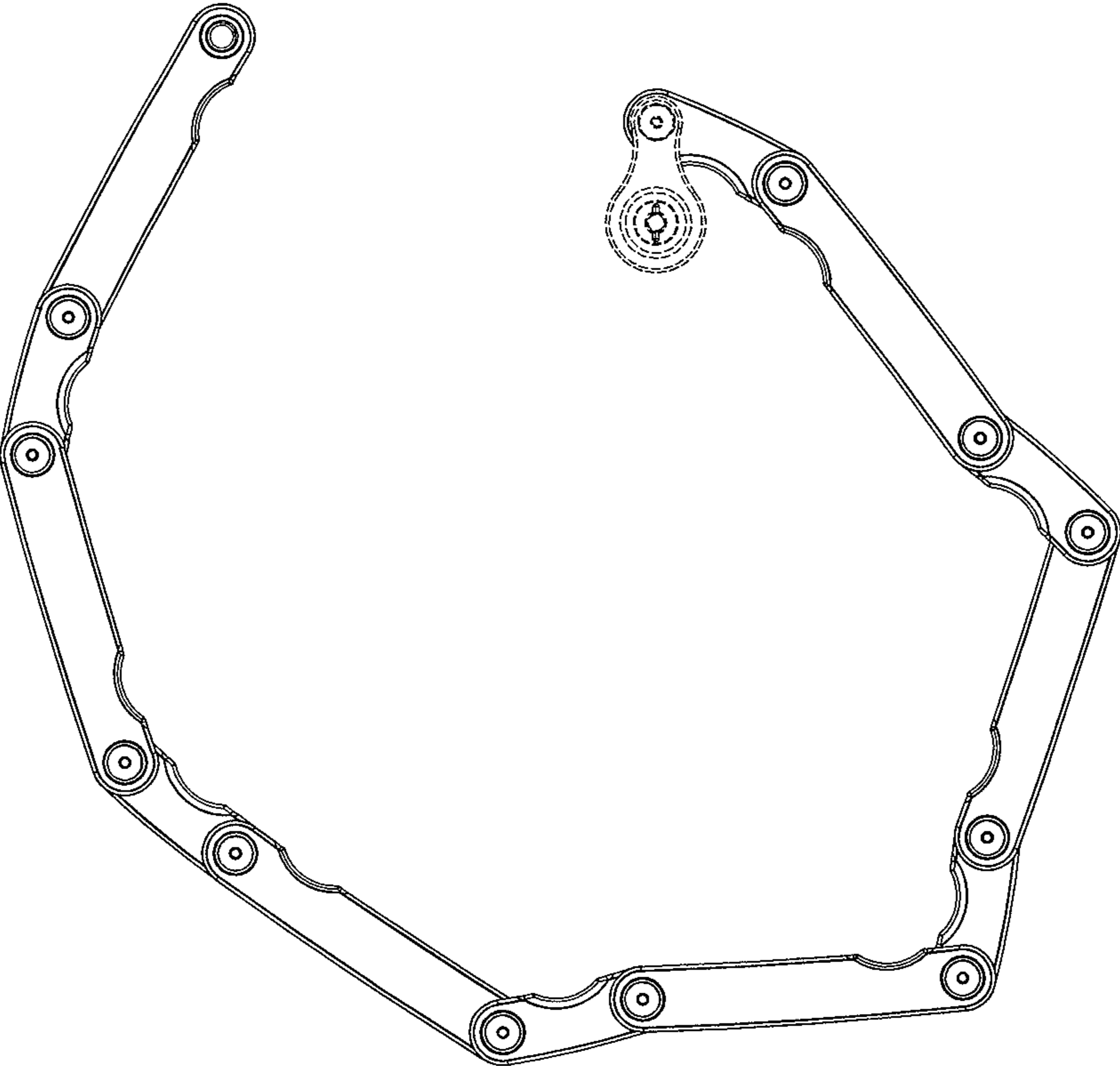


FIG. 8

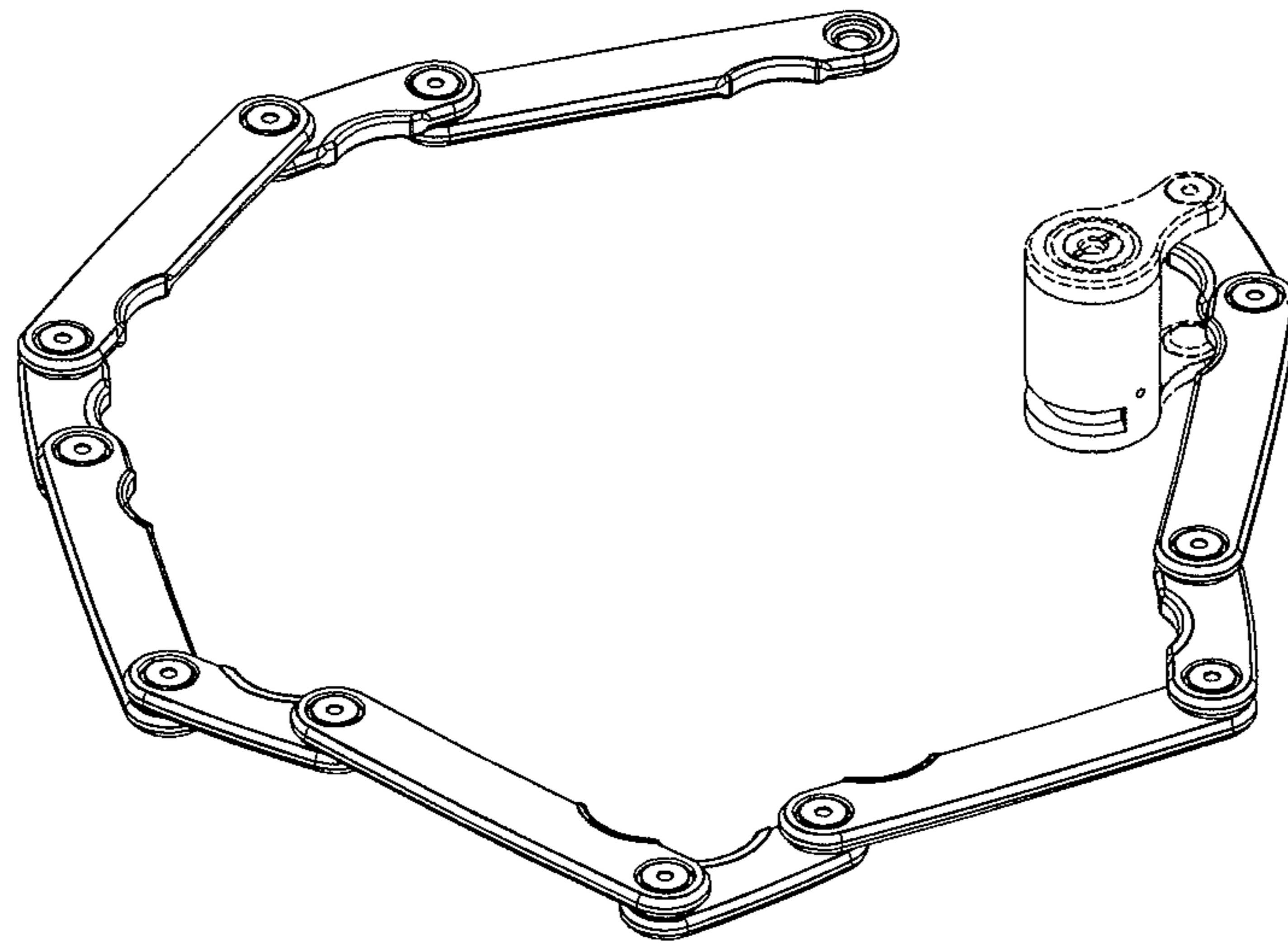


FIG. 9

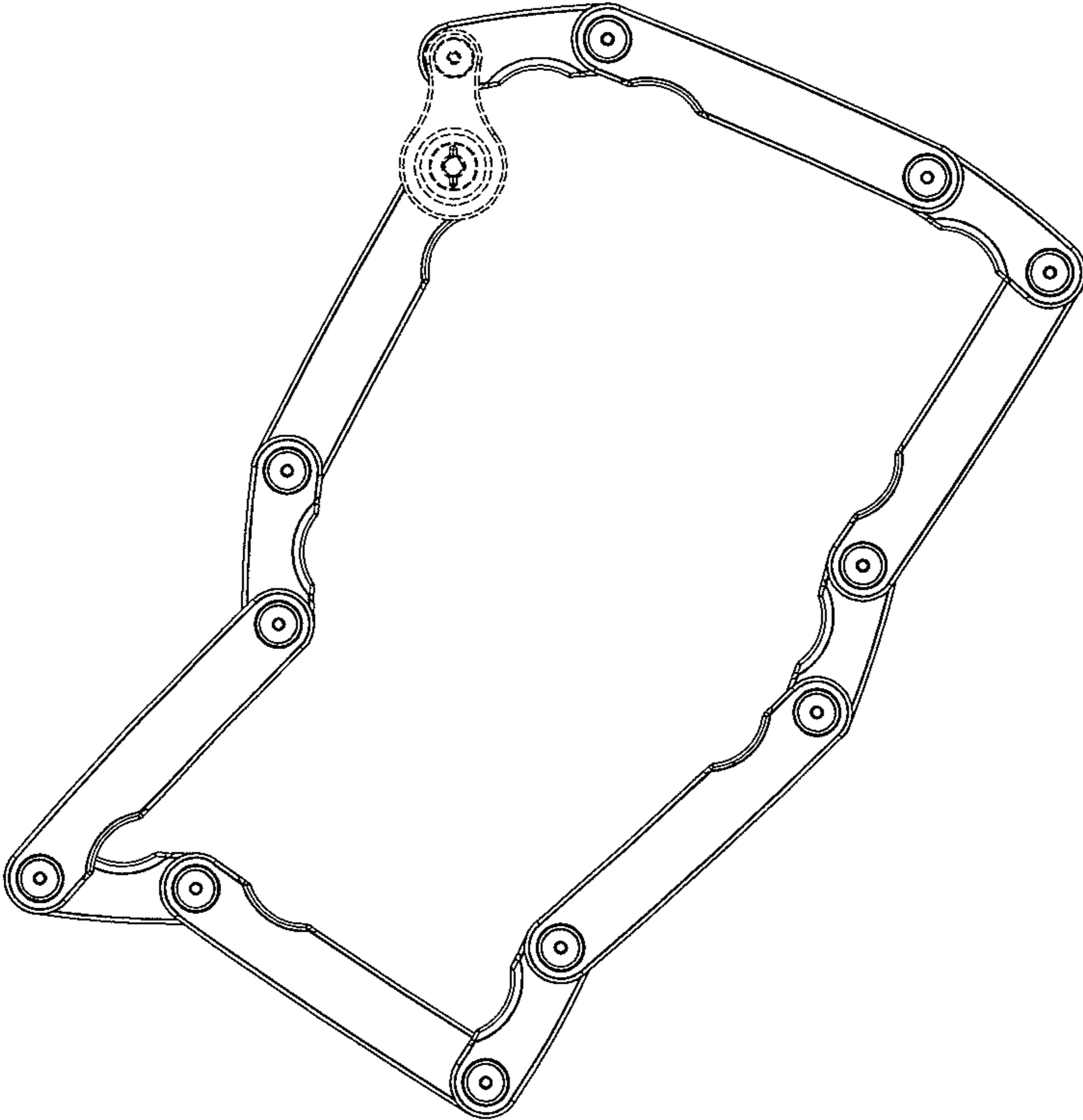


FIG. 10

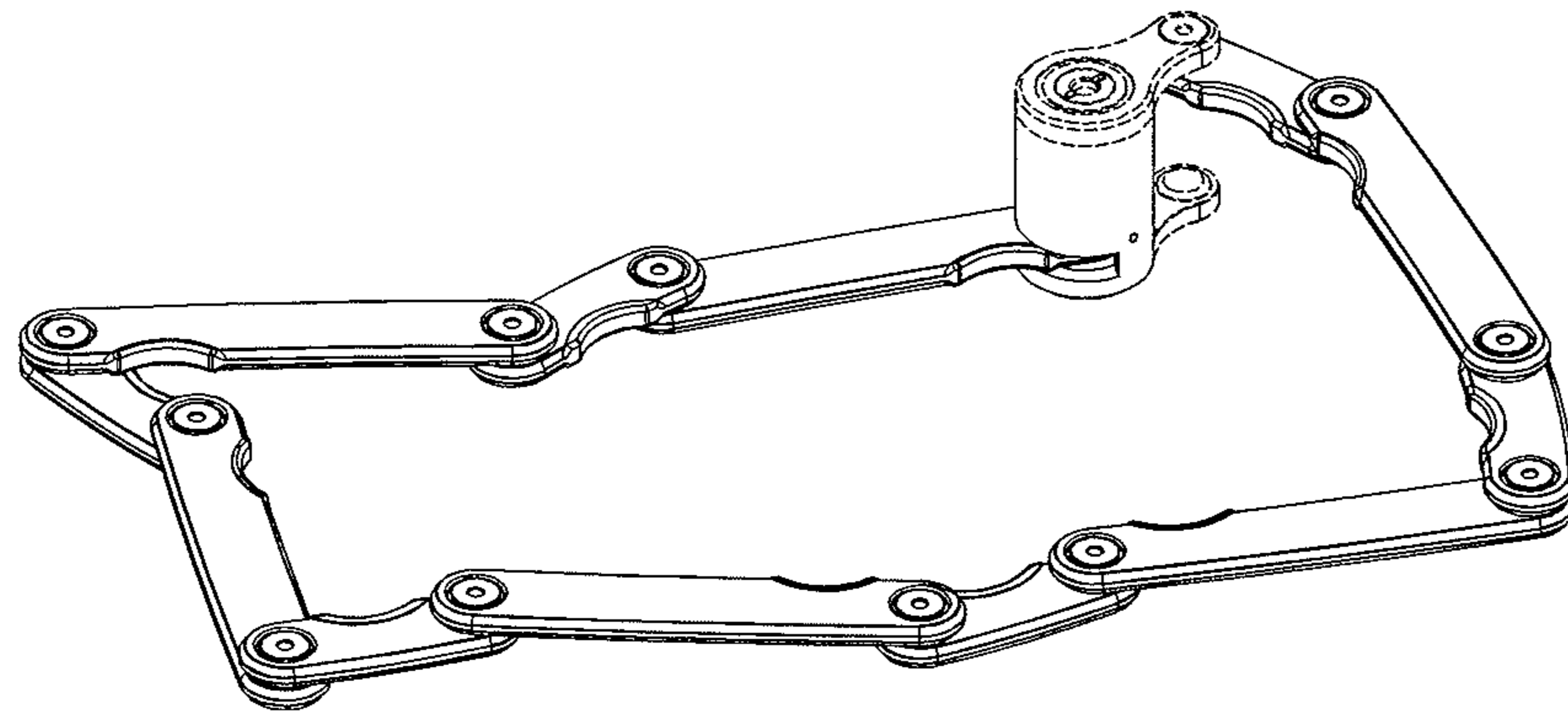


FIG. 11