



US00D719814S

(12) **United States Design Patent**  
**Lin**

(10) **Patent No.:** **US D719,814 S**

(45) **Date of Patent:** **\*\* Dec. 23, 2014**

- (54) **LOCK**
- (71) Applicant: **Sinox Co., Ltd.**, New Taipei (TW)
- (72) Inventor: **Chih-Wei Lin**, New Taipei (TW)
- (73) Assignee: **Sinox Co., Ltd.**, New Taipei (TW)
- (\*\*) Term: **14 Years**
- (21) Appl. No.: **29/466,242**
- (22) Filed: **Sep. 5, 2013**
- (51) **LOC (10) Cl.** ..... **08-07**
- (52) **U.S. Cl.**  
USPC ..... **D8/339**; D8/330
- (58) **Field of Classification Search**  
CPC ..... E05B 9/02; E05B 15/00; E05B 17/00;  
E05B 55/00; E05B 59/00; E05B 61/00;  
E05B 63/00; E05B 71/00; E05B 75/00  
USPC ..... D8/330, 331, 338, 339, 342; 70/20, 23,  
70/15, 25, 26, 27, 28, 30, 57.1, 51, 233,  
70/465, 466  
See application file for complete search history.

7,316,135	B2 *	1/2008	Parsons	.....	70/16
D657,657	S *	4/2012	Golling	.....	D8/339
D658,037	S *	4/2012	Golling	.....	D8/339
D660,683	S *	5/2012	Golling	.....	D8/339
D660,684	S *	5/2012	Golling	.....	D8/339
8,336,345	B2 *	12/2012	Burgoon	.....	70/16
8,635,750	B1 *	1/2014	Ginocchio	.....	24/484

\* cited by examiner

*Primary Examiner* — Prabhakar Deshmukh

(74) *Attorney, Agent, or Firm* — Birch, Stewart, Kolsch & Birch, LLP

(57) **CLAIM**

The ornamental design for a lock, as shown and described.

**DESCRIPTION**

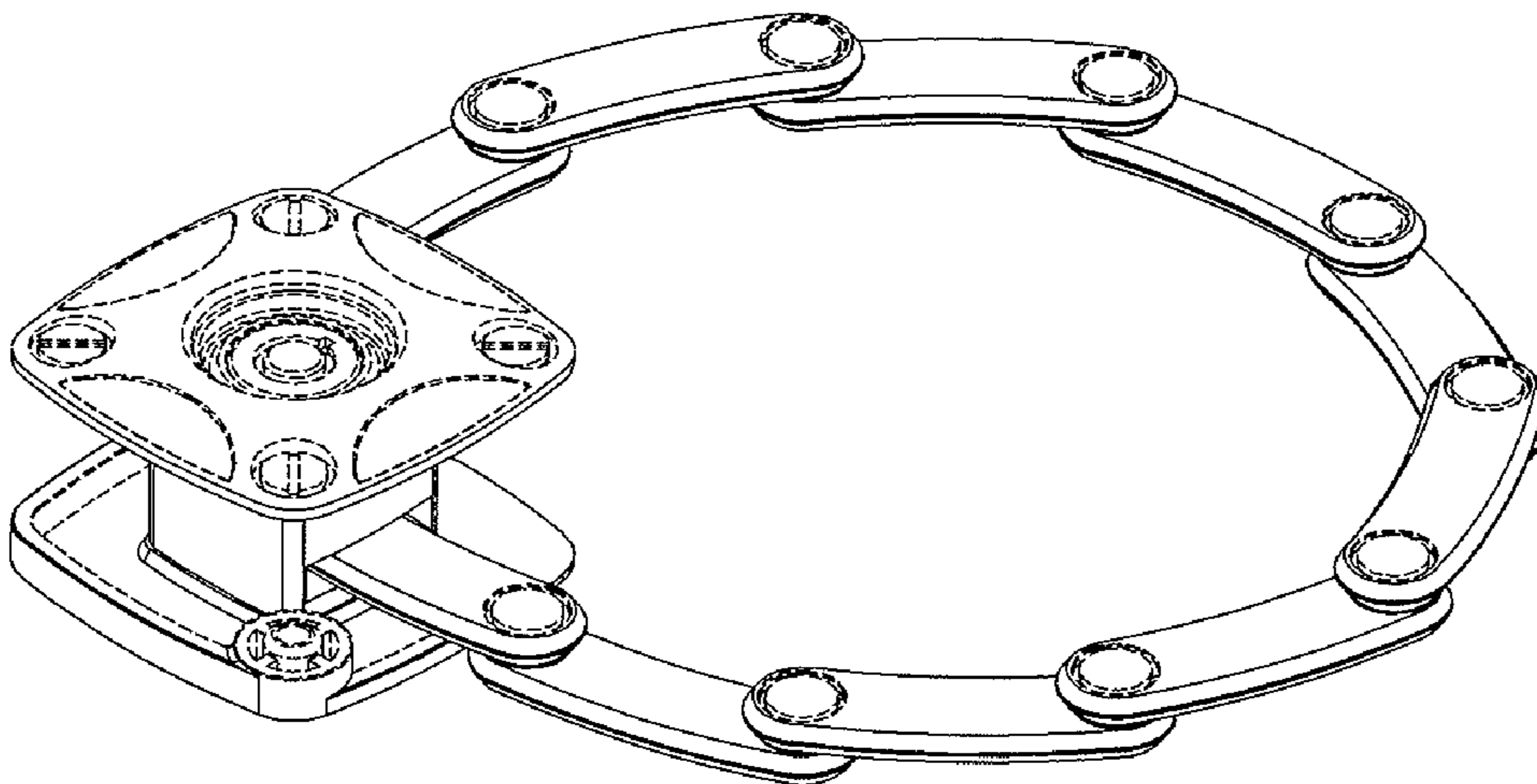
FIG. 1 is a front perspective view of a lock showing my new design;  
 FIG. 2 is a front elevational view thereof;  
 FIG. 3 is a rear elevational view thereof;  
 FIG. 4 is a left side elevational view thereof;  
 FIG. 5 is a right side elevational view thereof;  
 FIG. 6 is a top plan view thereof;  
 FIG. 7 is a bottom plan view thereof; and  
 FIG. 8 is an exploded perspective view thereof.  
 The broken line environment is for illustrative purpose only and forms no part of the claimed design.

**1 Claim, 8 Drawing Sheets**

(56) **References Cited**

**U.S. PATENT DOCUMENTS**

4,162,622	A *	7/1979	Daleo	.....	70/16
6,397,640	B1 *	6/2002	Williams	.....	66/117
D553,473	S *	10/2007	Neri et al.	.....	D8/339



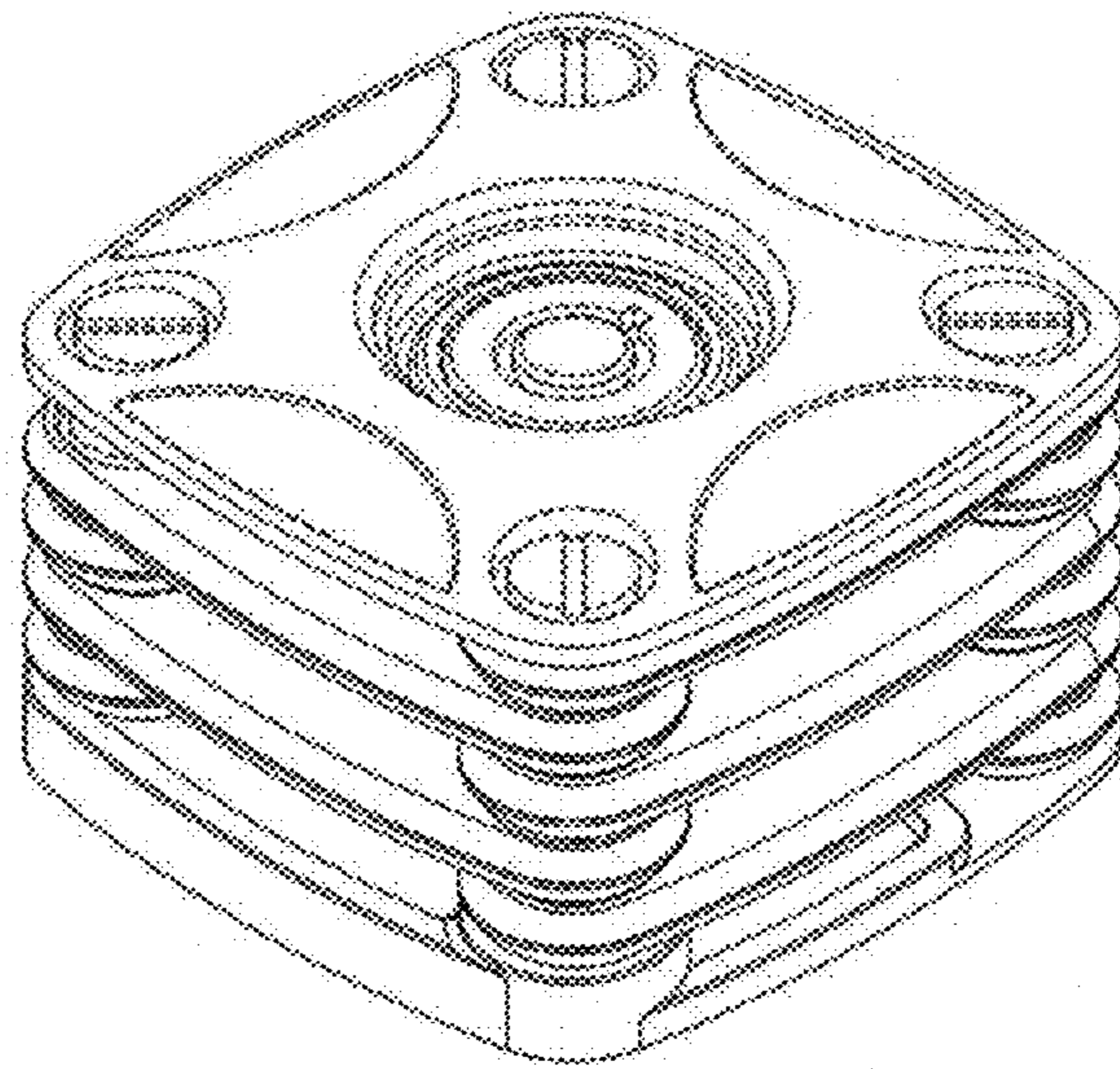


FIG. 1

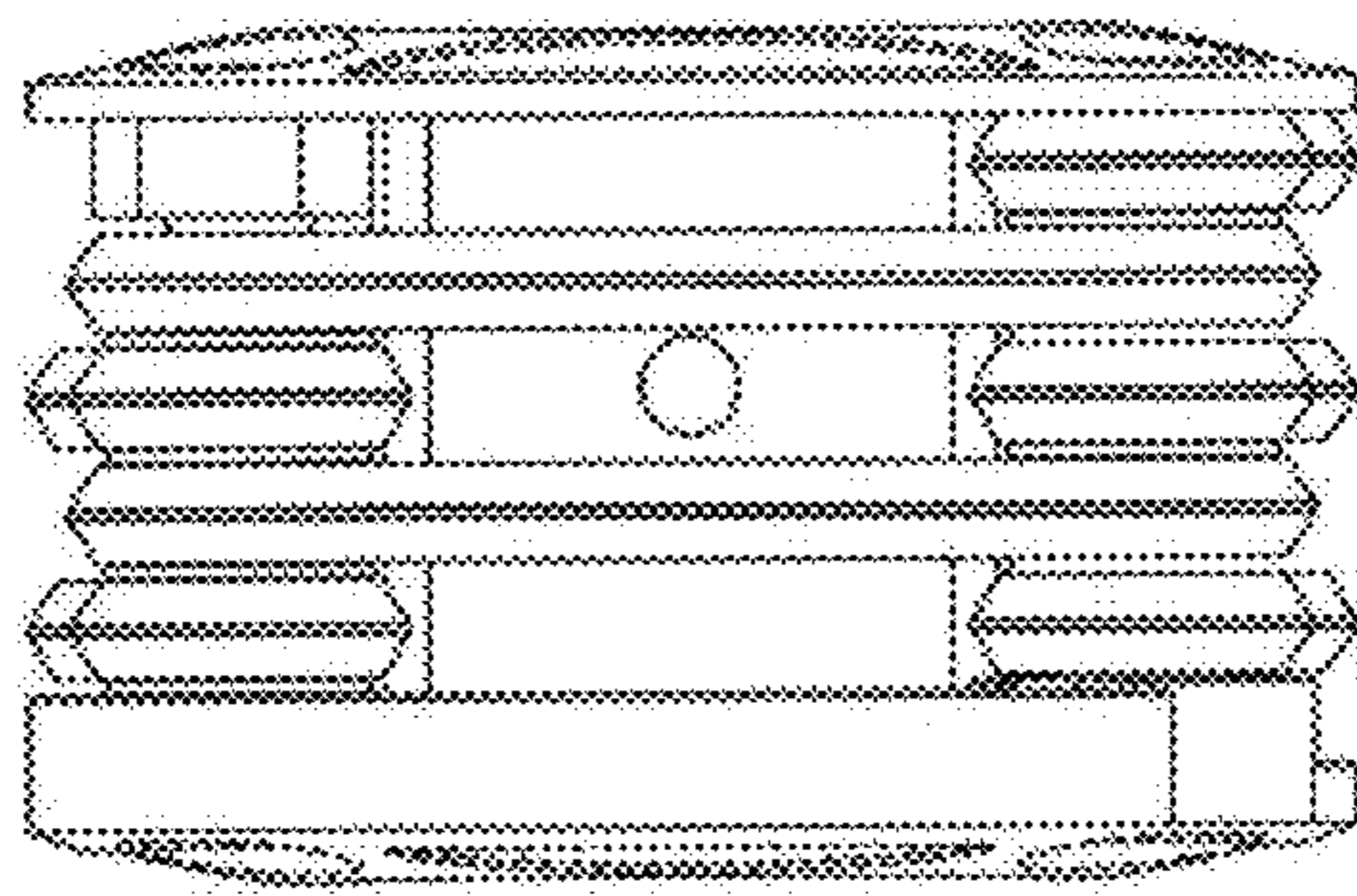


FIG. 2

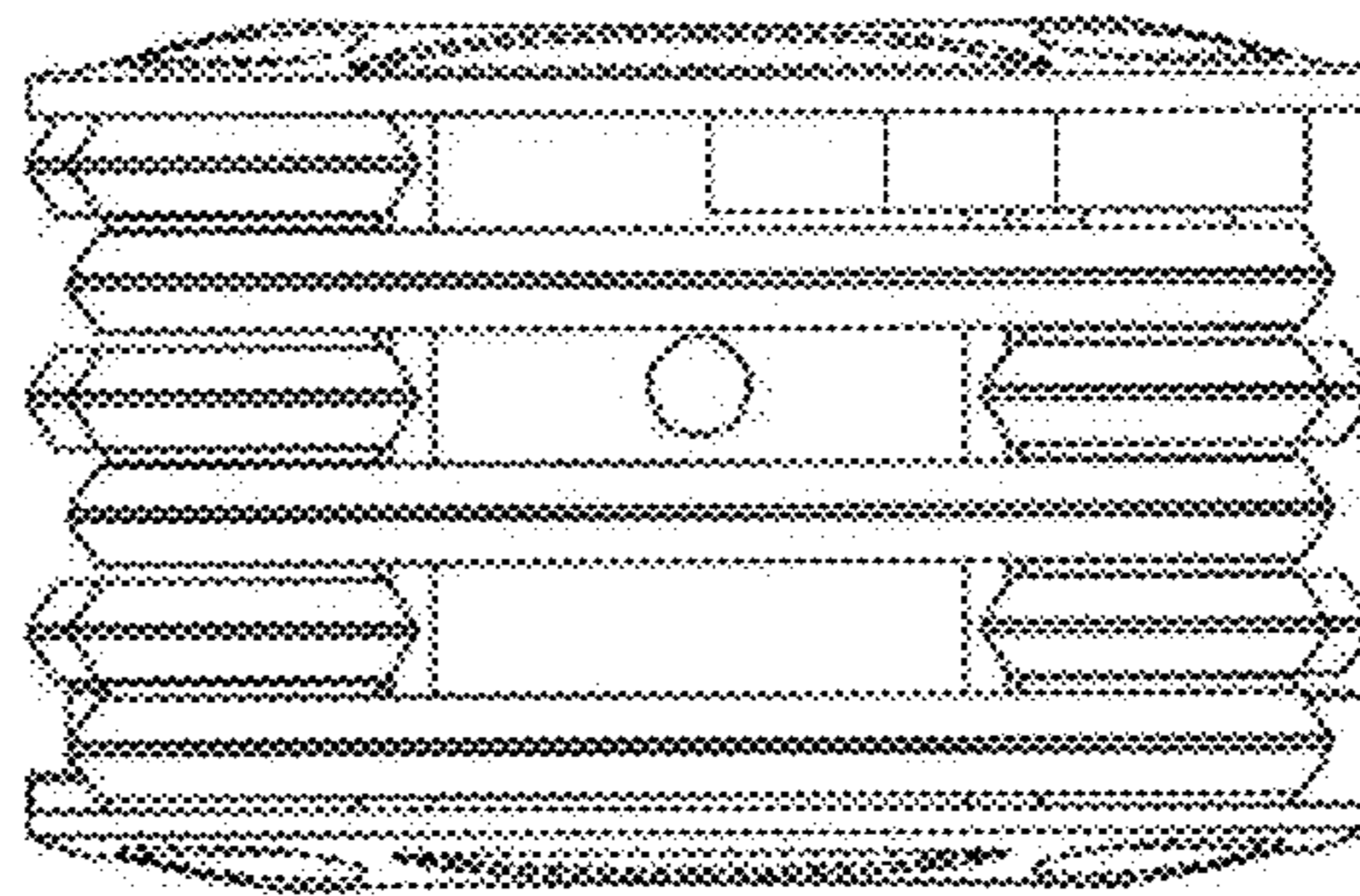


FIG. 3

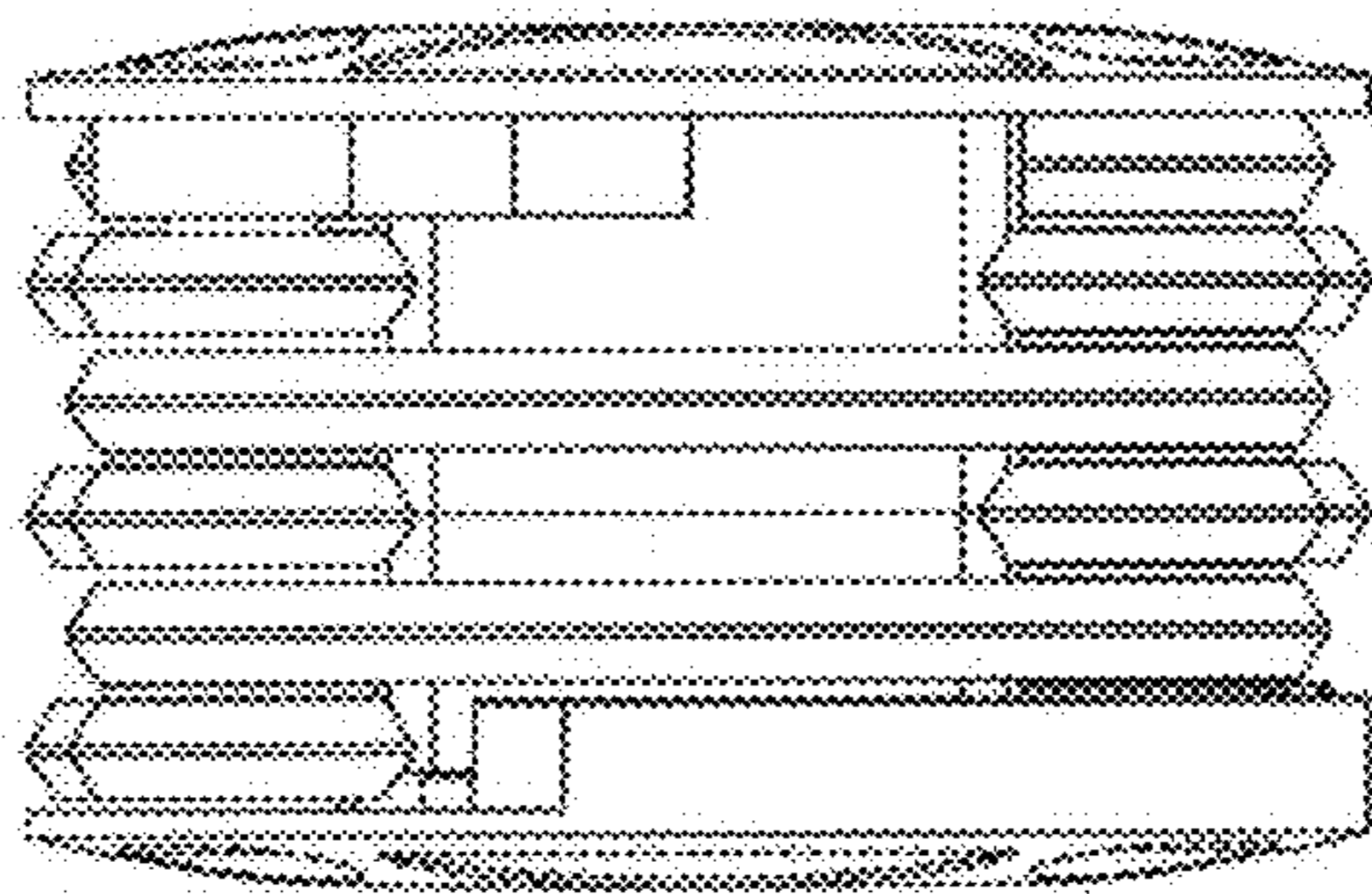


FIG. 4

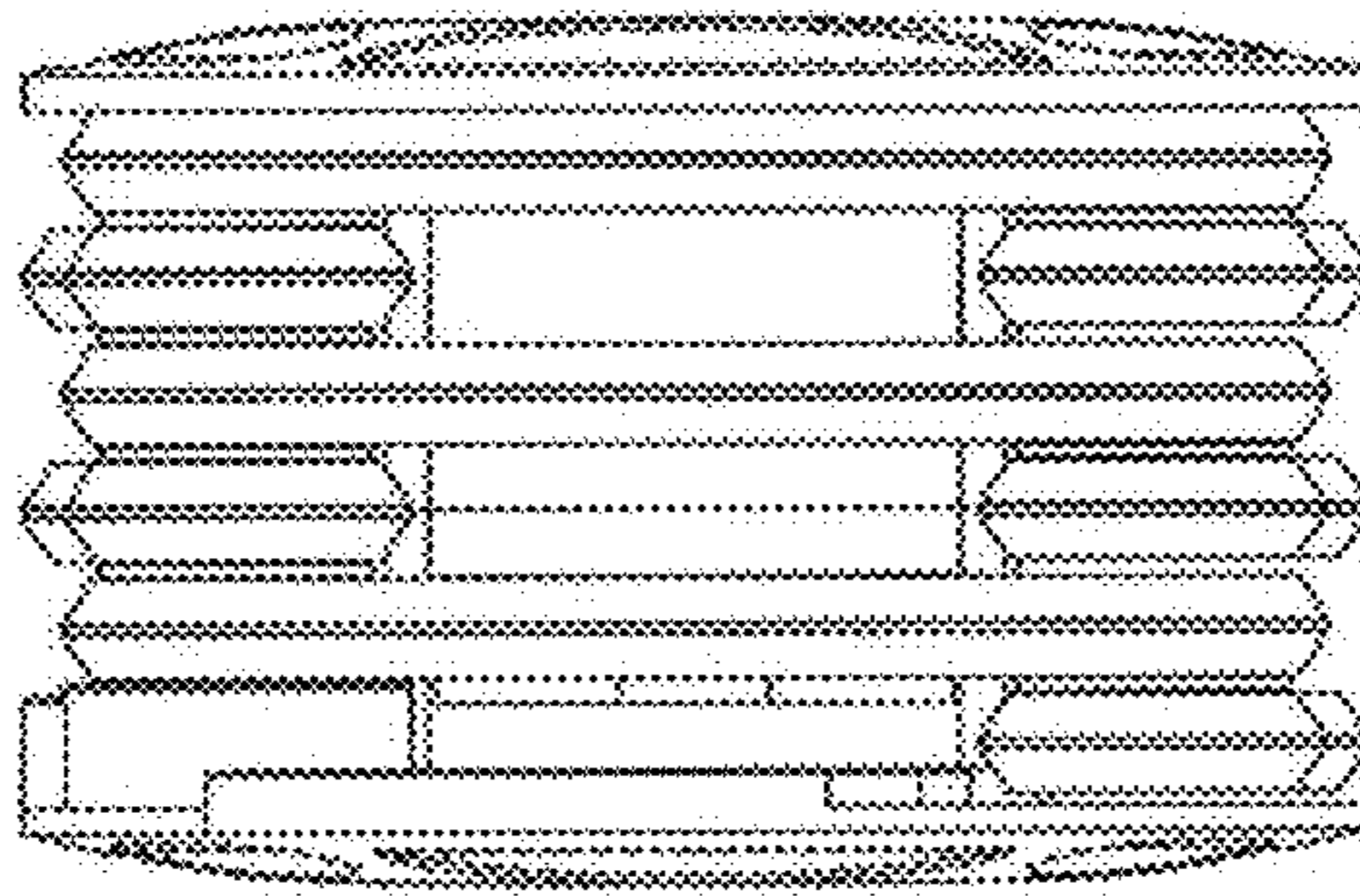


FIG. 5

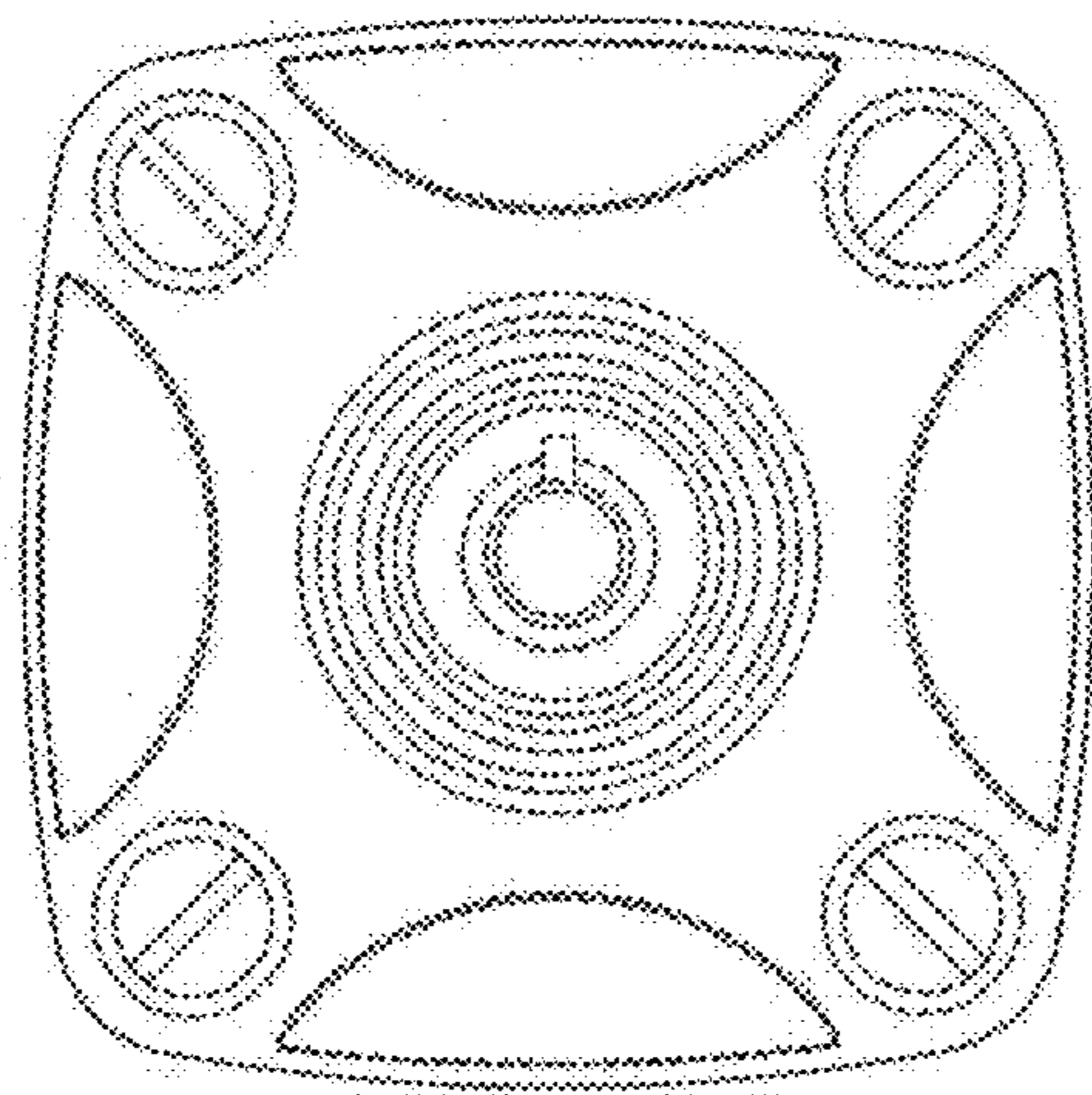


FIG. 6

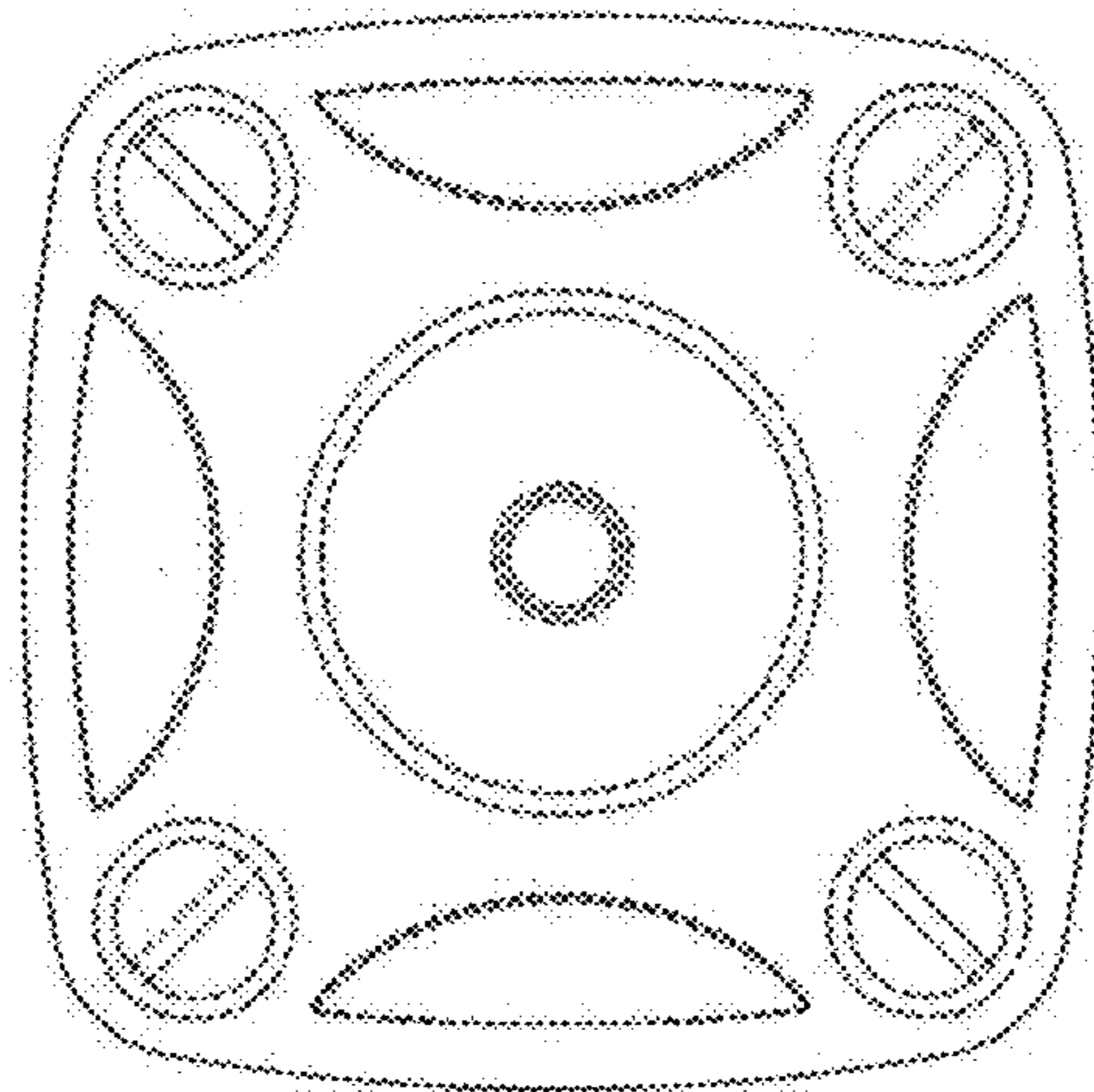


FIG. 7



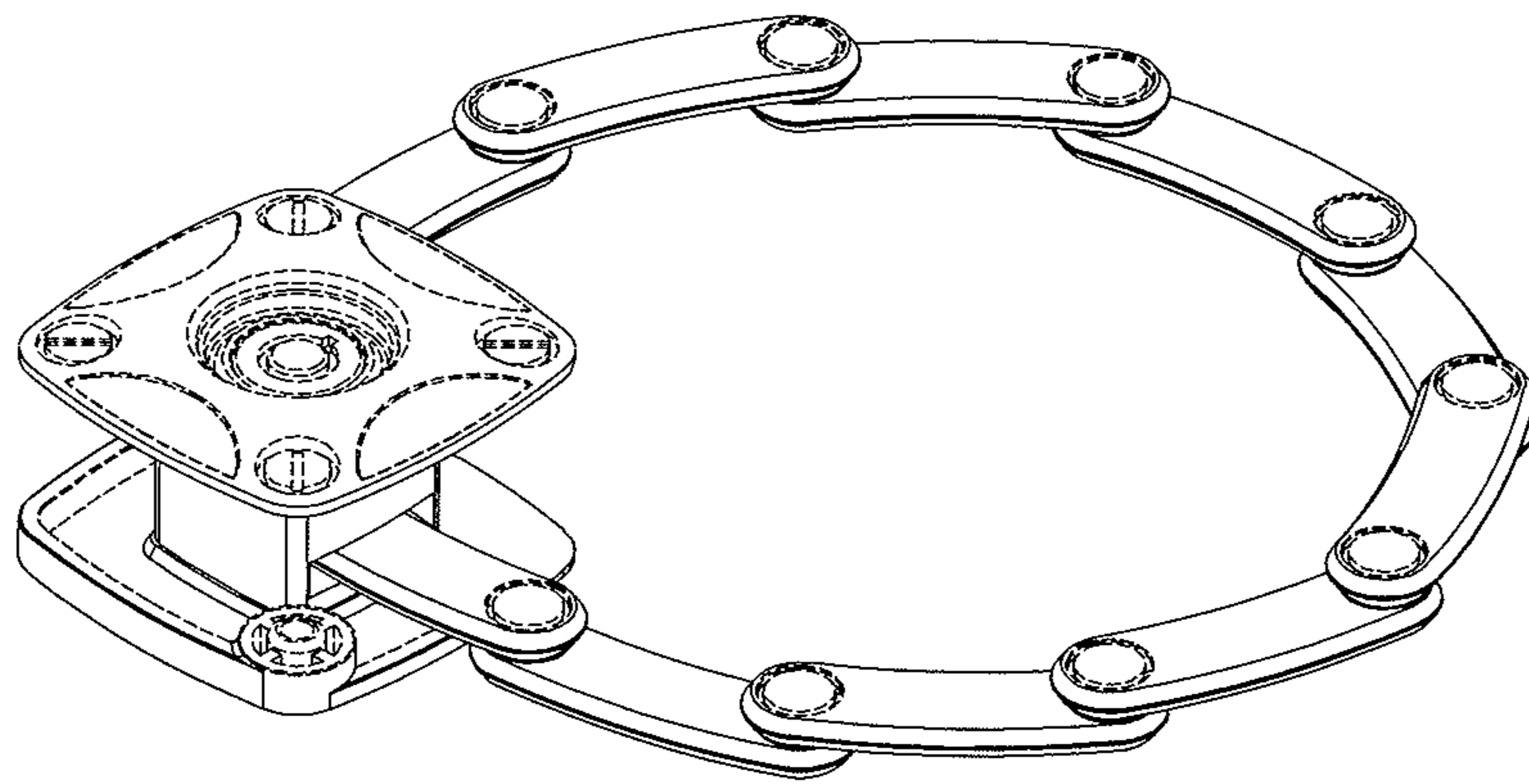


FIG. 8