



US00D719812S

(12) **United States Design Patent**
Sui

(10) **Patent No.:** **US D719,812 S**

(45) **Date of Patent:** **** Dec. 23, 2014**

(54) **DETACHABLE MOUNT**

(71) Applicant: **Yongming Sui**, Ontario, CA (US)

(72) Inventor: **Yongming Sui**, Ontario, CA (US)

(73) Assignee: **Field Sport Inc.**, Ontario, CA (US)

(**) Term: **14 Years**

(21) Appl. No.: **29/470,976**

(22) Filed: **Oct. 26, 2013**

(51) **LOC (10) Cl.** **08-07**

(52) **U.S. Cl.**
USPC **D8/336; D8/330; D8/339**

(58) **Field of Classification Search**
USPC D8/330, 331, 337, 338, 343, 349, 382,
D8/394, 400; 70/14, 51, 52, 57, 57.1, 341,
70/229, 431, 465, 466; 292/8, 32, 137,
292/256, 281, 289, 288
See application file for complete search history.

(56) **References Cited**

U.S. PATENT DOCUMENTS

3,955,842 A * 5/1976 Edwards 292/307 R
5,197,407 A * 3/1993 Sims 116/86

5,396,725 A * 3/1995 Talbot 42/127
5,428,915 A * 7/1995 King 42/126
5,967,475 A * 10/1999 Johnson 248/217.4
7,401,939 B2 * 7/2008 Haugaard et al. 362/147
D612,717 S * 3/2010 Frankel D8/402
D620,340 S * 7/2010 Liljeqvist et al. D8/330

* cited by examiner

Primary Examiner — Prabhakar Deshmukh

(74) *Attorney, Agent, or Firm* — Che-Yang Chen; Law Office of Michael Chen

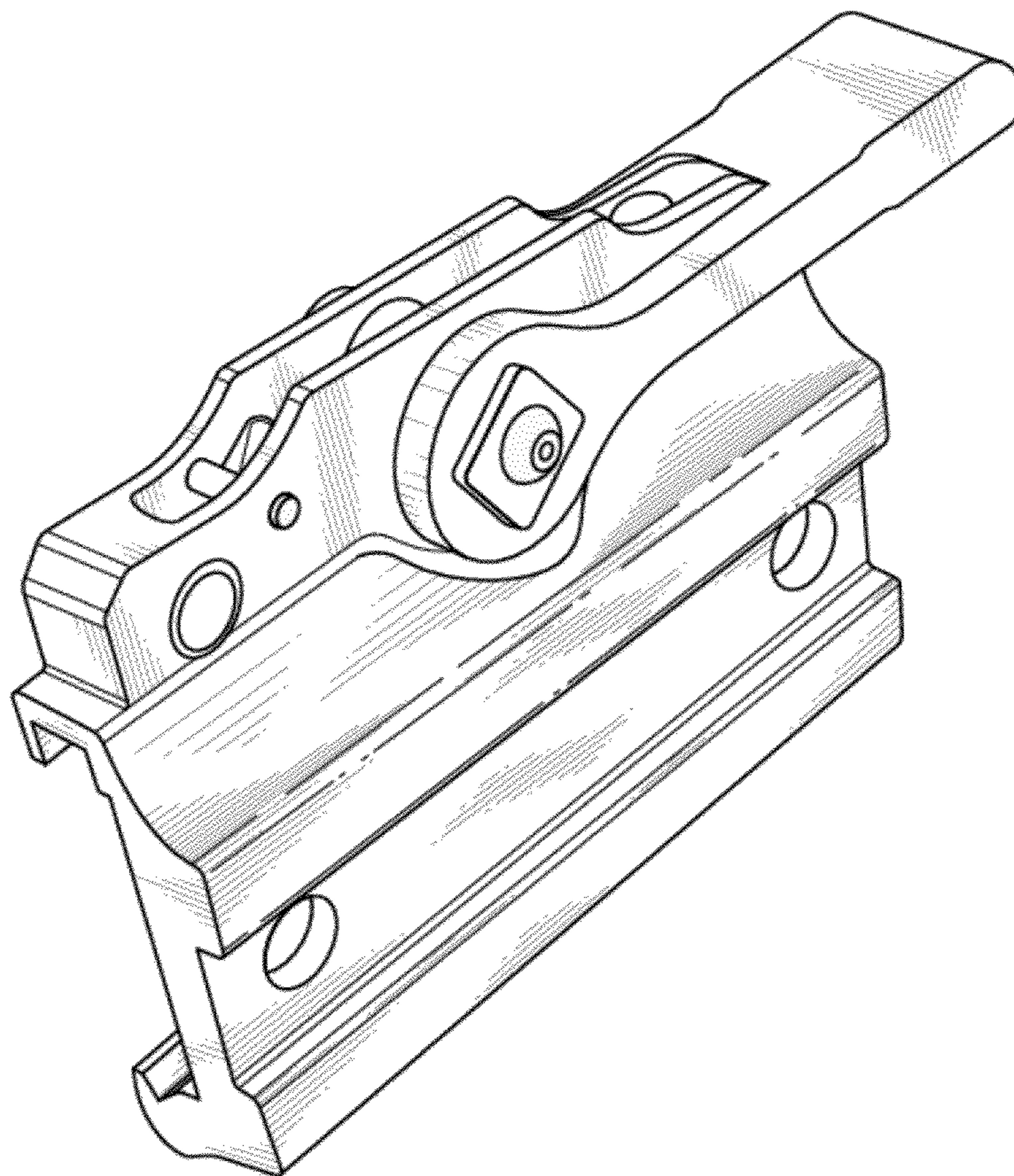
(57) **CLAIM**

The ornamental design for a detachable mount, as shown and described.

DESCRIPTION

FIG. 1 is a perspective view of a detachable mount showing my new design;
FIG. 2 is a front elevational view thereof;
FIG. 3 is a rear elevational view thereof;
FIG. 4 is a left side elevational view thereof;
FIG. 5 is a right side elevational view thereof;
FIG. 6 is a top plan view thereof; and,
FIG. 7 is a bottom plan view thereof.

1 Claim, 5 Drawing Sheets



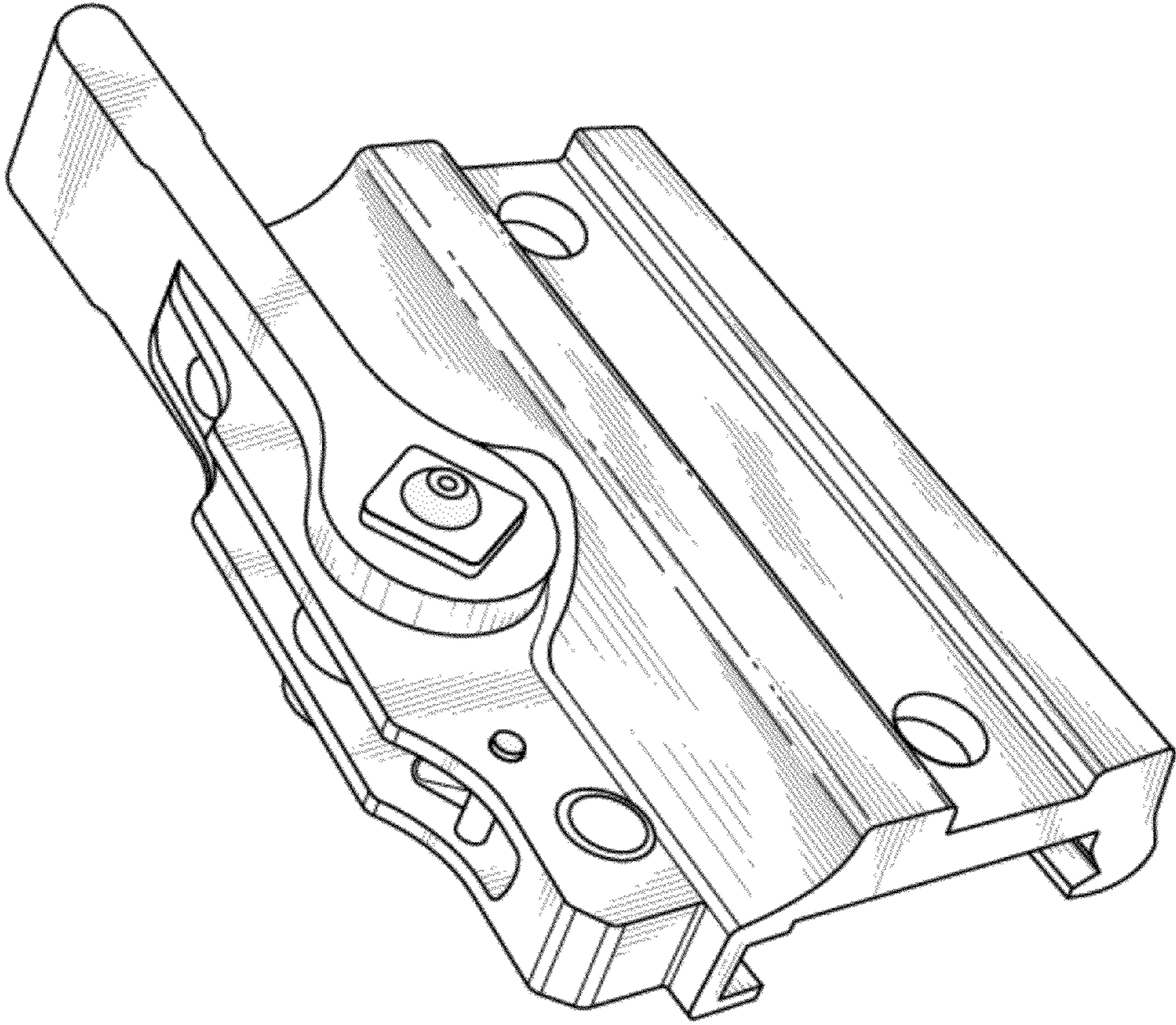


FIG. 1

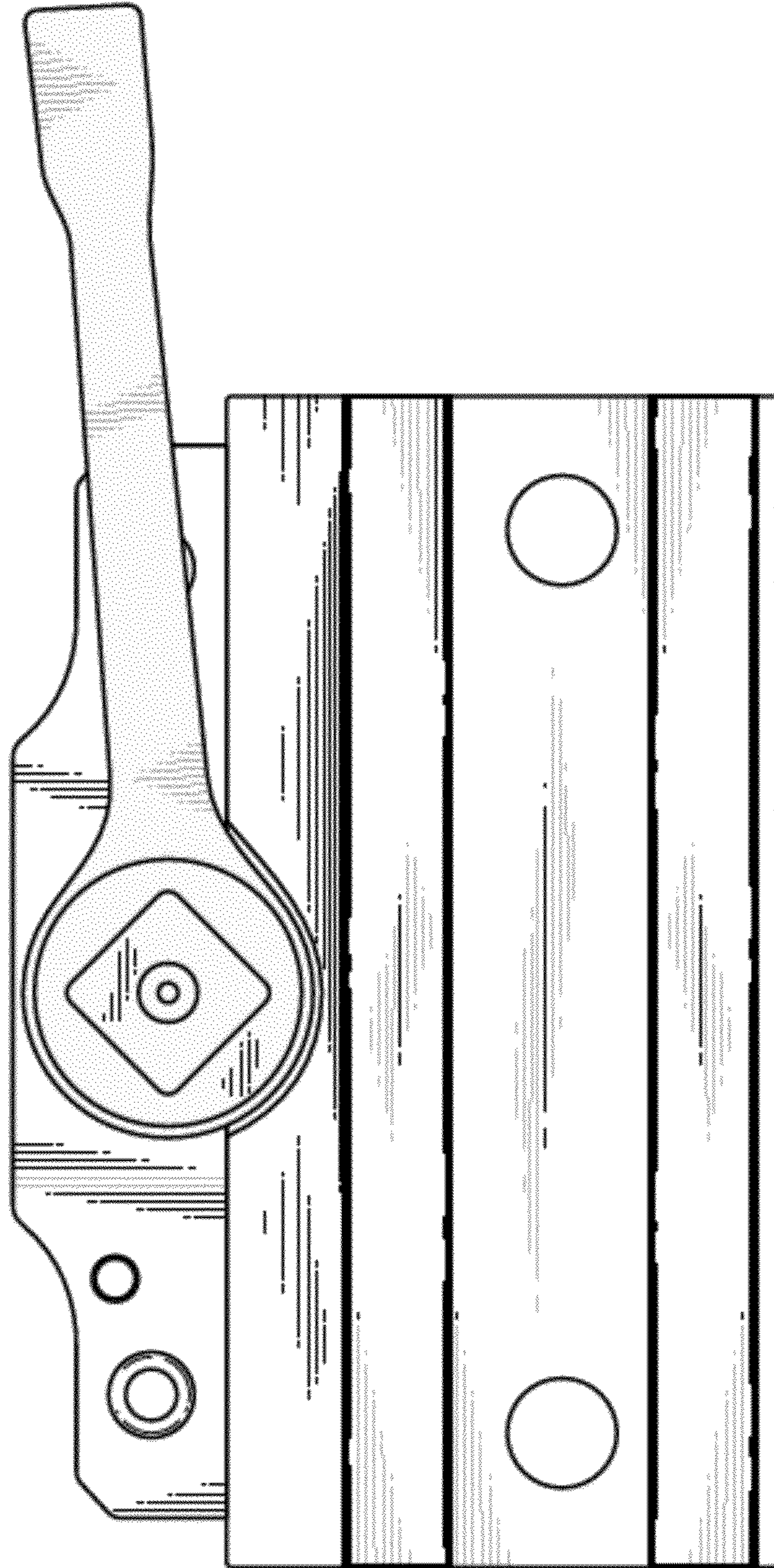


FIG. 2

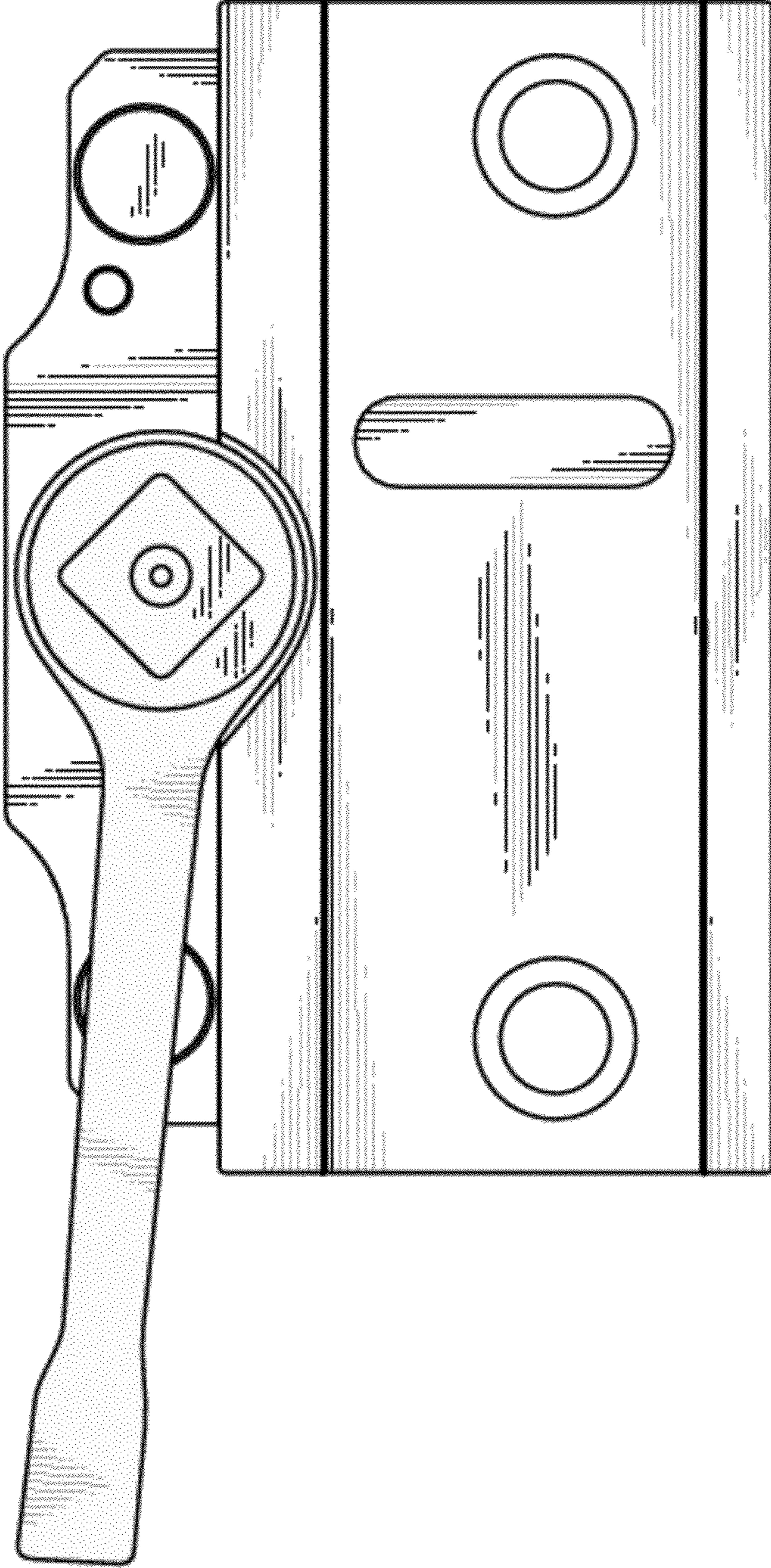


FIG. 3

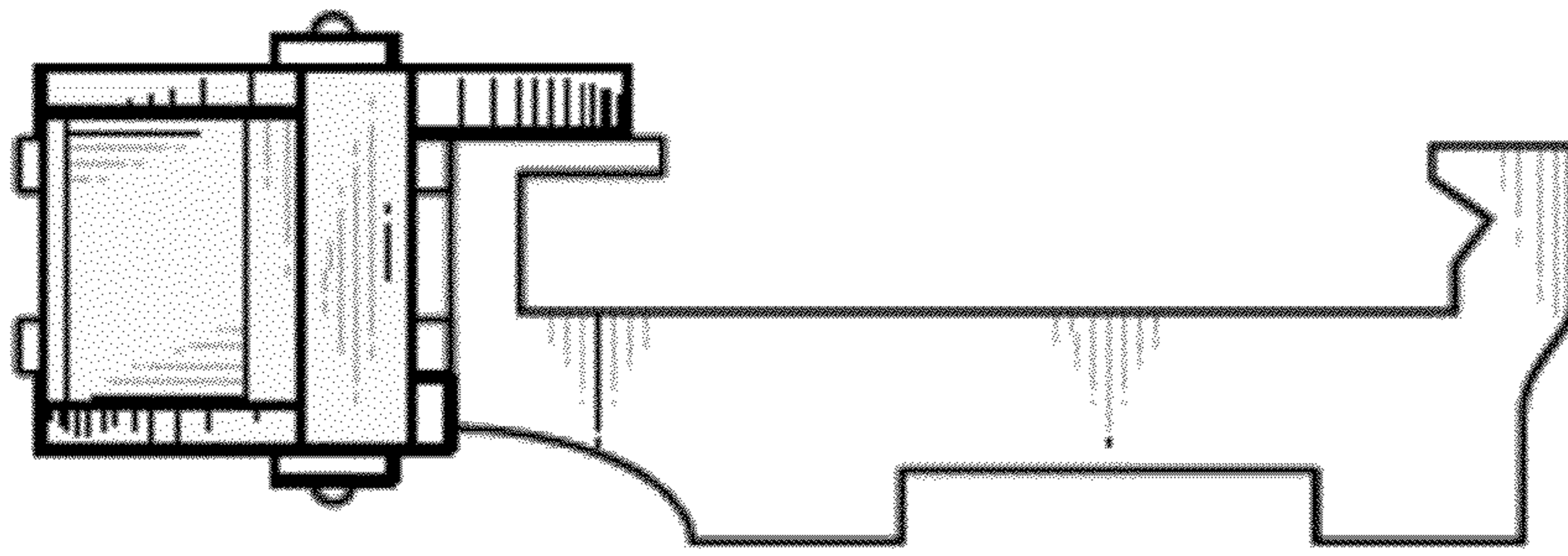


FIG. 5

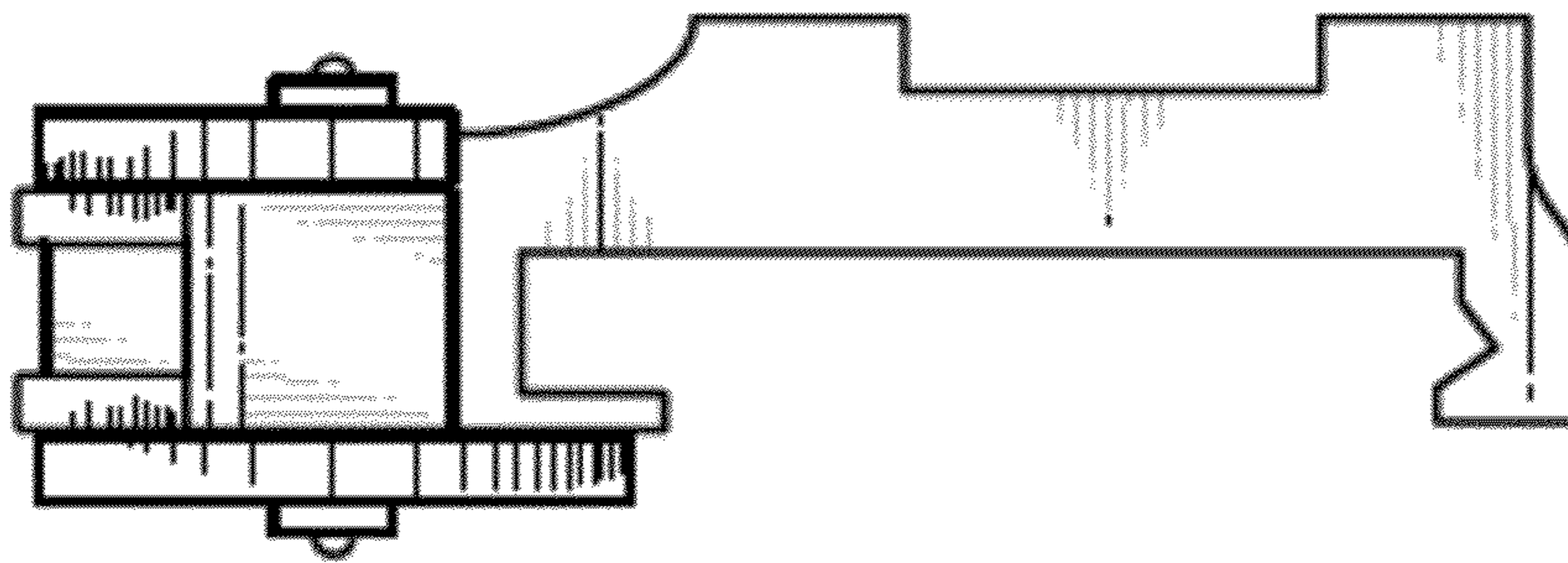


FIG. 4

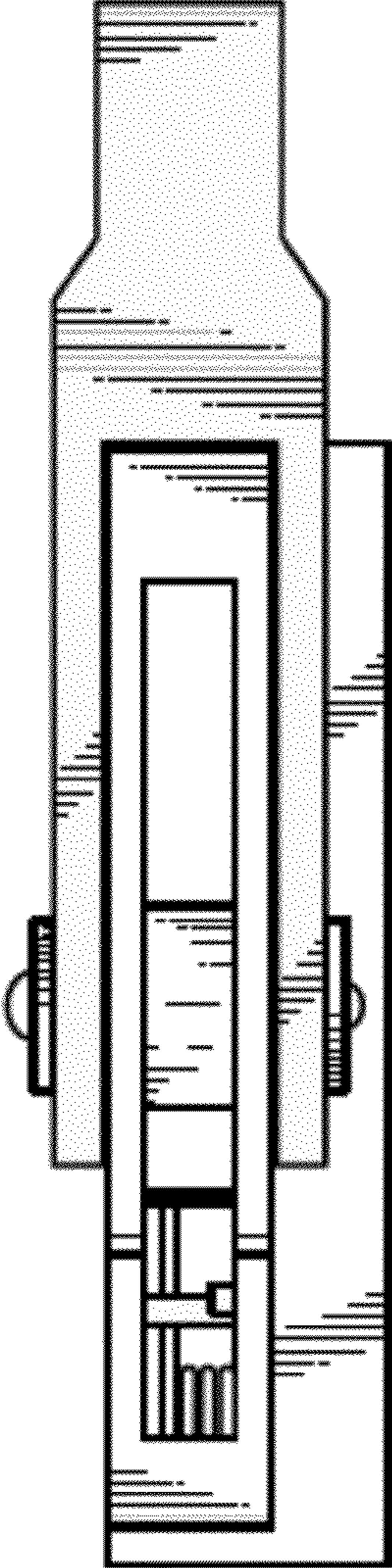


FIG. 6

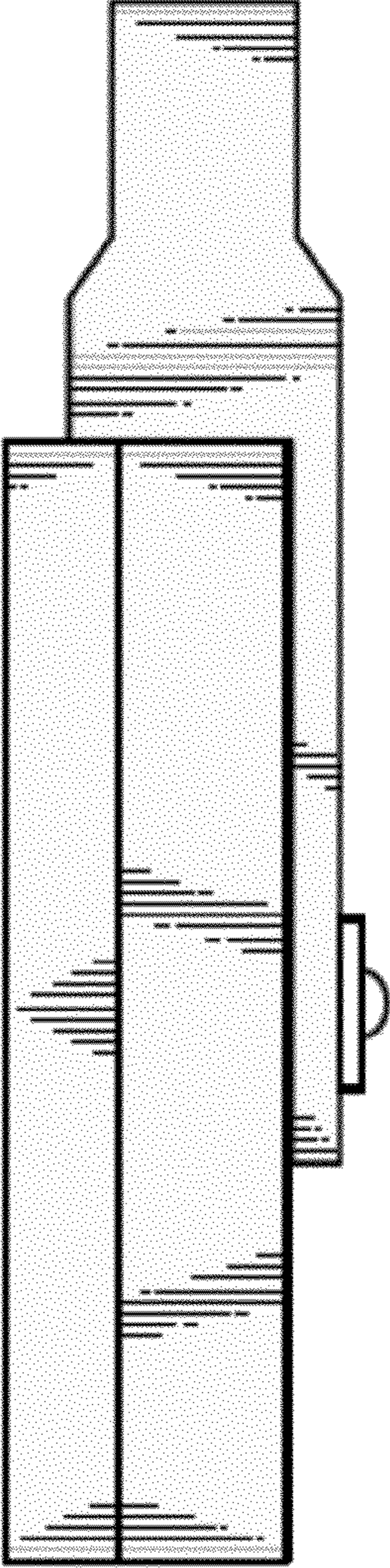


FIG. 7