



US00D719811S

(12) **United States Design Patent**
Cooper et al.

(10) **Patent No.:** **US D719,811 S**

(45) **Date of Patent:** **** Dec. 23, 2014**

(54) **HINGE COVER**

(71) Applicant: **Hardware Resources, Inc.**, Bossier City, LA (US)

(72) Inventors: **Rachel Cooper**, Farmers Branch, TX (US); **Travis McElveen**, Bossier City, LA (US); **Dennis McGregor**, Farmers Branch, TX (US)

(73) Assignee: **Hardware Resources, Inc.**, Bossier City, LA (US)

(**) Term: **14 Years**

(21) Appl. No.: **29/488,177**

(22) Filed: **Apr. 16, 2014**

(51) **LOC (10) Cl.** **08-06**

(52) **U.S. Cl.**

USPC **D8/323; D8/328**

(58) **Field of Classification Search**

CPC E05Y 2900/00; E05D 3/00; E05D 1/00

USPC D8/323, 327, 328, 329; D23/303;

4/236, 240; 16/225, 250, 682, 309,

16/235, 275, 244, 379, 390, 430, 241, 238,

16/245, 236, 243, 242, 385, 331, 274

See application file for complete search history.

(56) **References Cited**

U.S. PATENT DOCUMENTS

3,748,688 A * 7/1973 Berkowitz 16/247

4,631,777 A * 12/1986 Takimoto 16/315

D348,201	S *	6/1994	Ferrari	D8/323
D395,590	S *	6/1998	Finkelstein et al.	D8/323
6,401,298	B1 *	6/2002	Lenz	16/335
6,557,210	B2 *	5/2003	Kincaid	16/250
7,584,523	B1 *	9/2009	Finkelstein et al.	16/260
D627,690	S *	11/2010	Madden	D12/126
7,870,642	B1 *	1/2011	Finkelstein et al.	16/260
7,945,996	B2 *	5/2011	Gunderson	16/312
D645,725	S *	9/2011	Katz et al.	D8/327
8,020,253	B1 *	9/2011	Finkelstein et al.	16/250
D684,839	S *	6/2013	Oshima	D8/323
D700,036	S *	2/2014	Oshima	D8/323

* cited by examiner

Primary Examiner — Cynthia Underwood

(74) *Attorney, Agent, or Firm* — Schultz & Associates, P.C.

(57) **CLAIM**

The ornamental design for a hinge cover, as shown and described.

DESCRIPTION

FIG. 1 is a perspective view of a hinge cover showing our new design;

FIG. 2 is a side elevation view thereof;

FIG. 3 is a side elevation view thereof;

FIG. 4 is a side elevation view thereof;

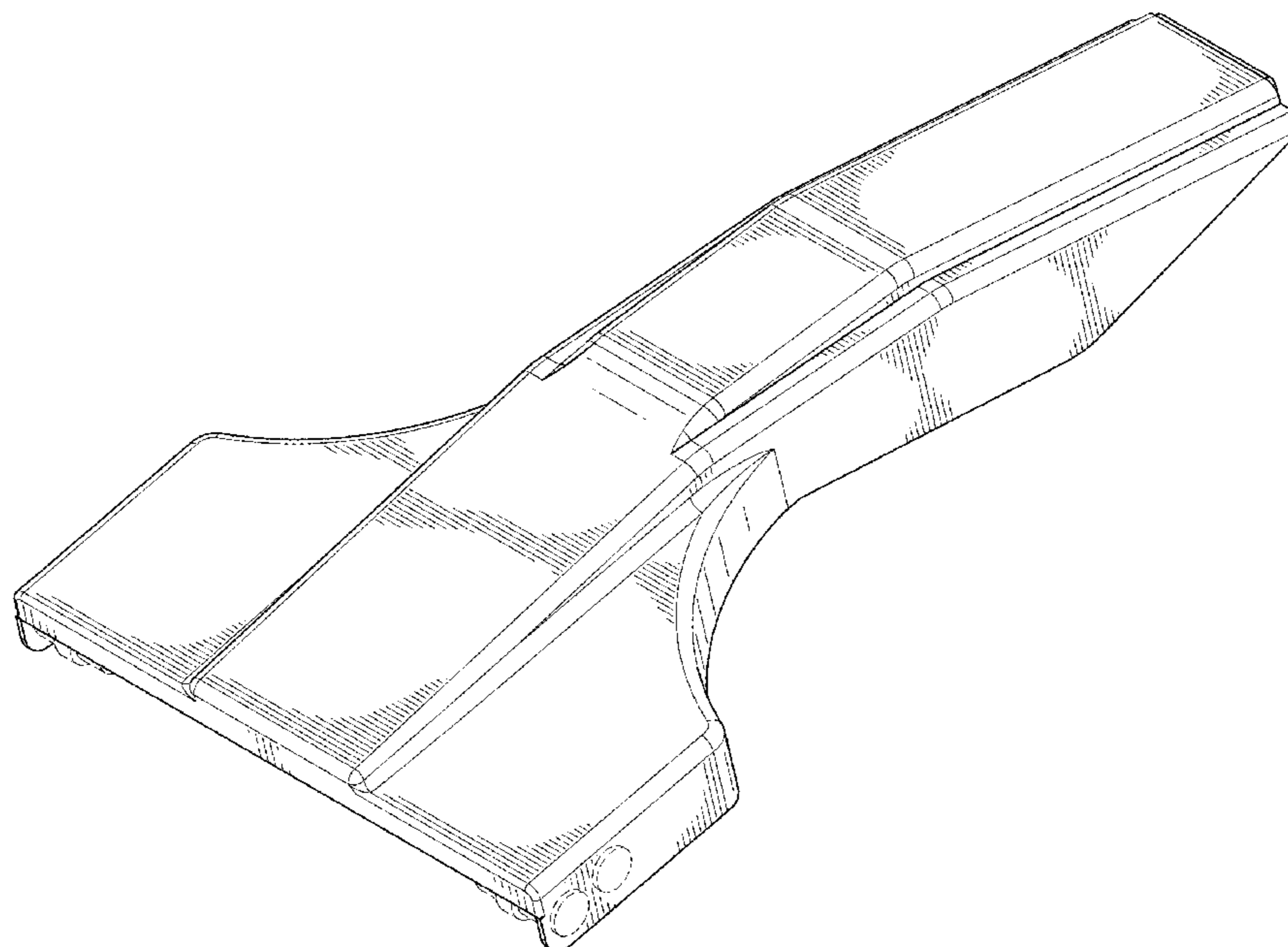
FIG. 5 is a side elevation view thereof;

FIG. 6 is a top plan view thereof; and,

FIG. 7 is a bottom plan view thereof.

The broken lines shown represent unclaimed subject matter and form no part of the claimed design.

1 Claim, 5 Drawing Sheets



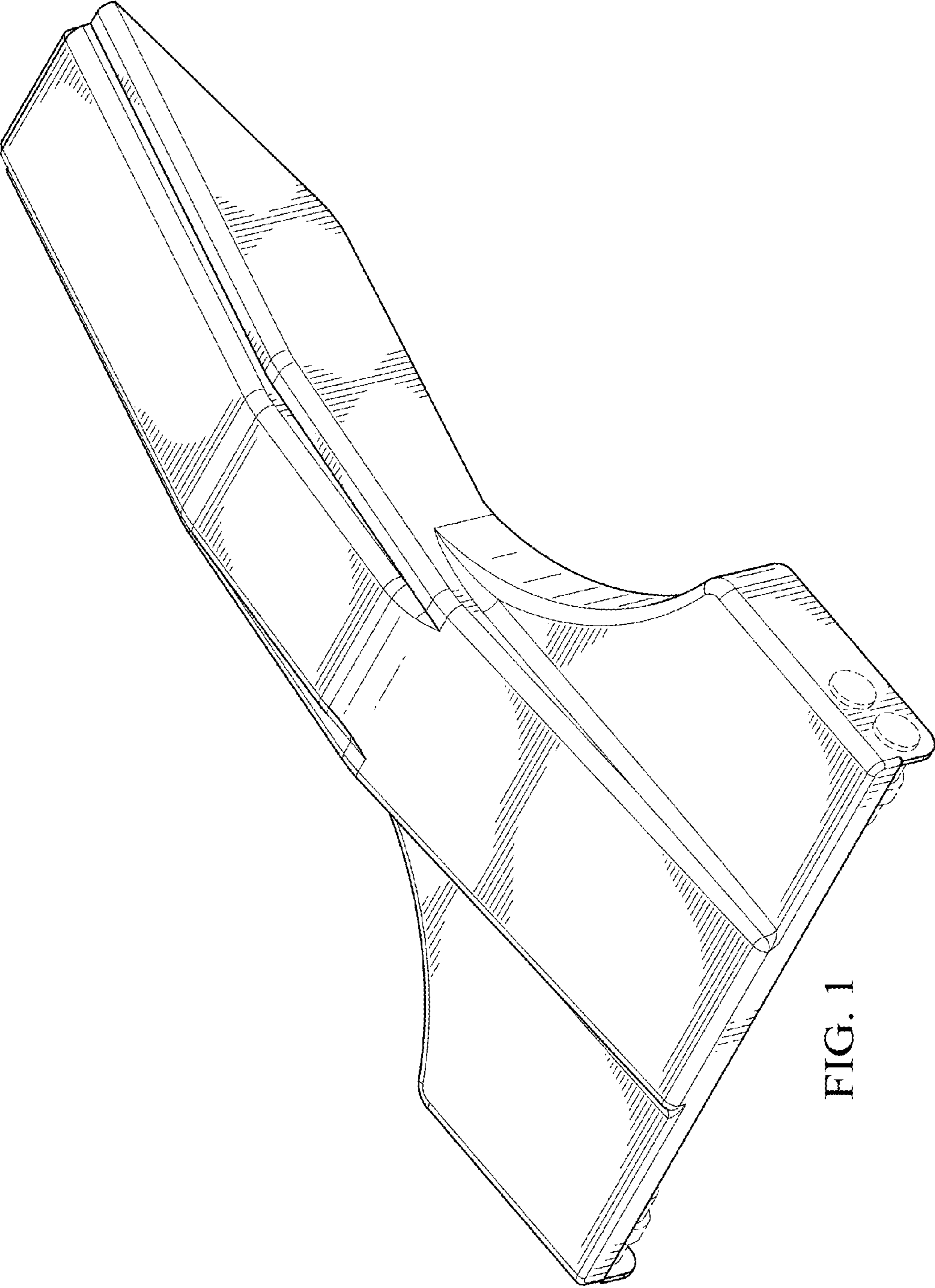


FIG. 1

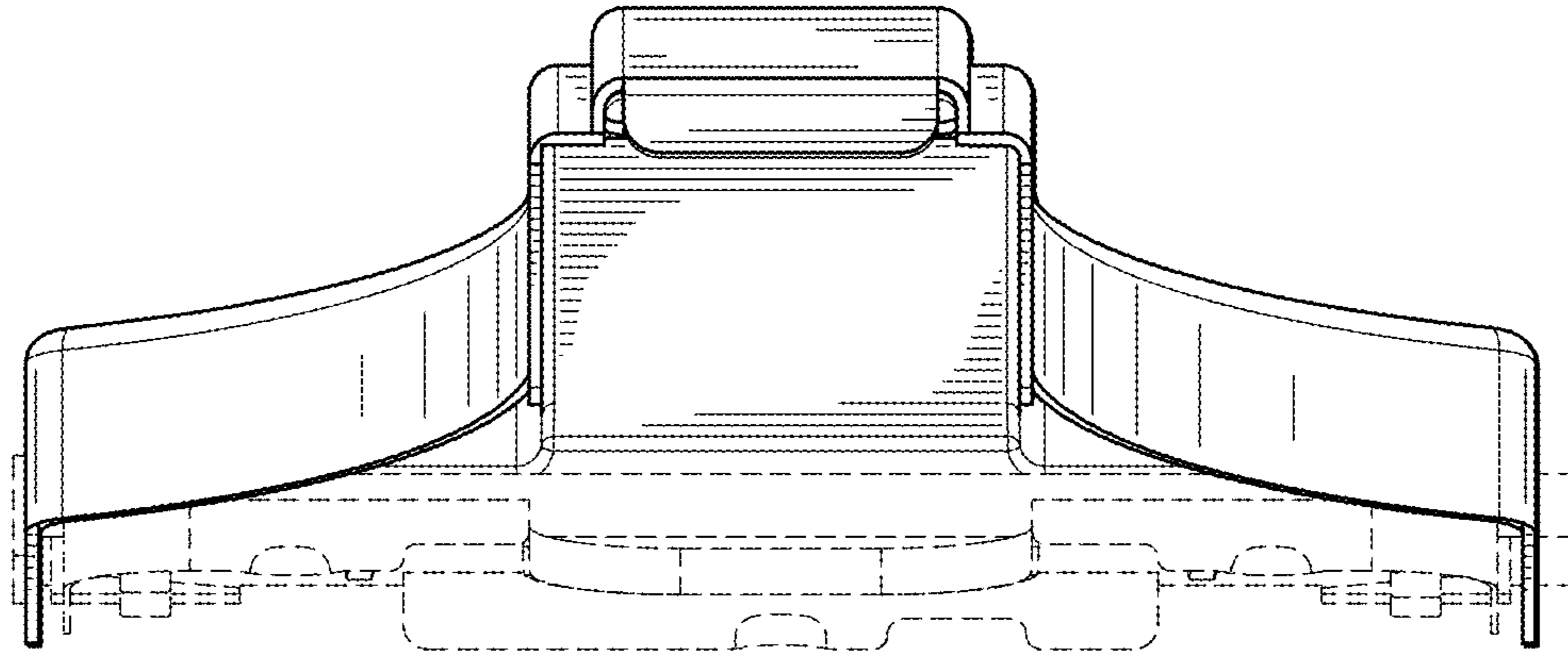


FIG. 2

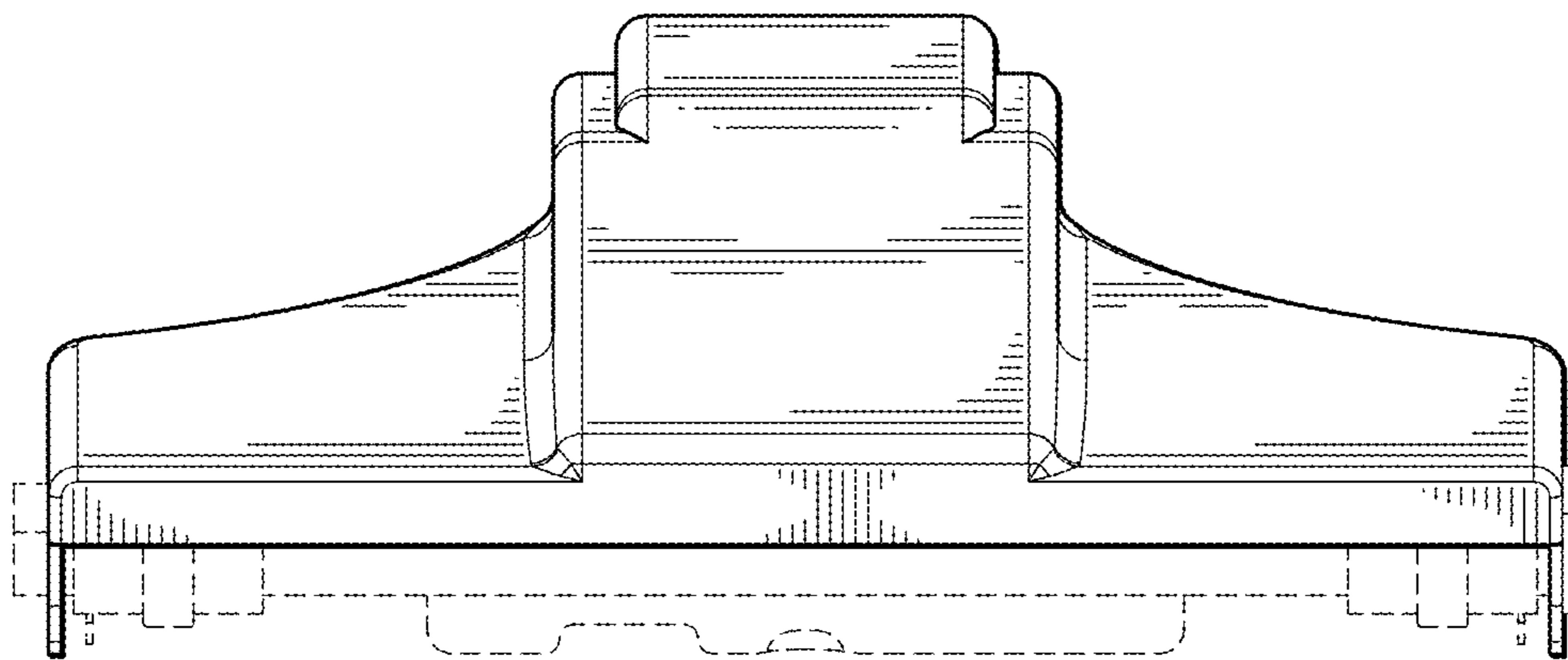


FIG. 3

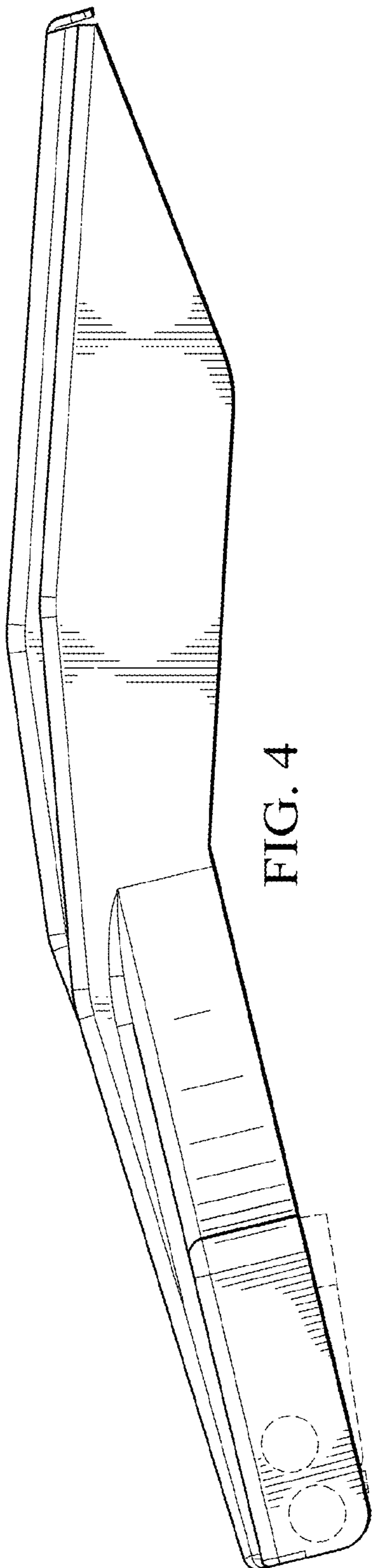


FIG. 4

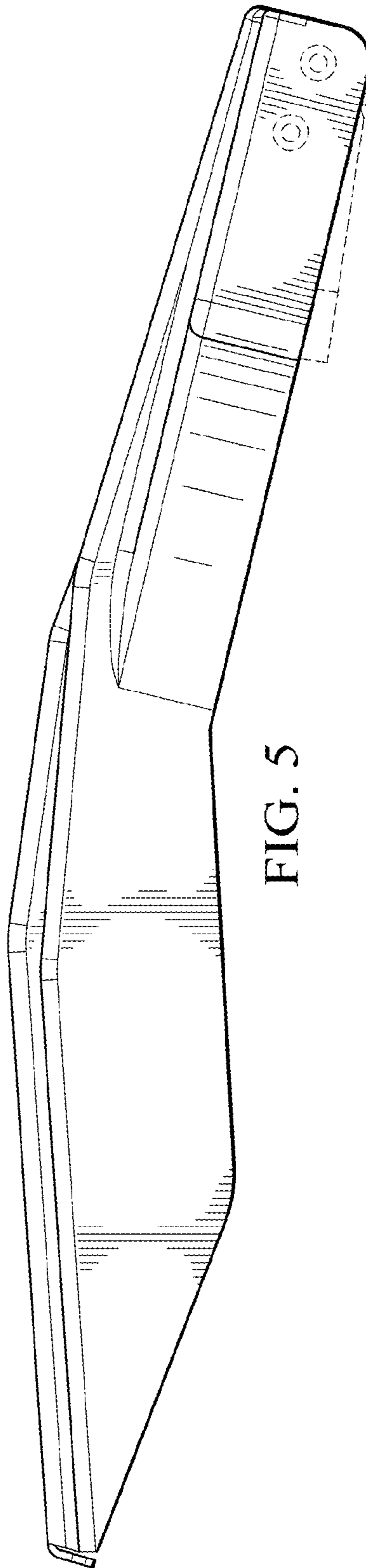


FIG. 5

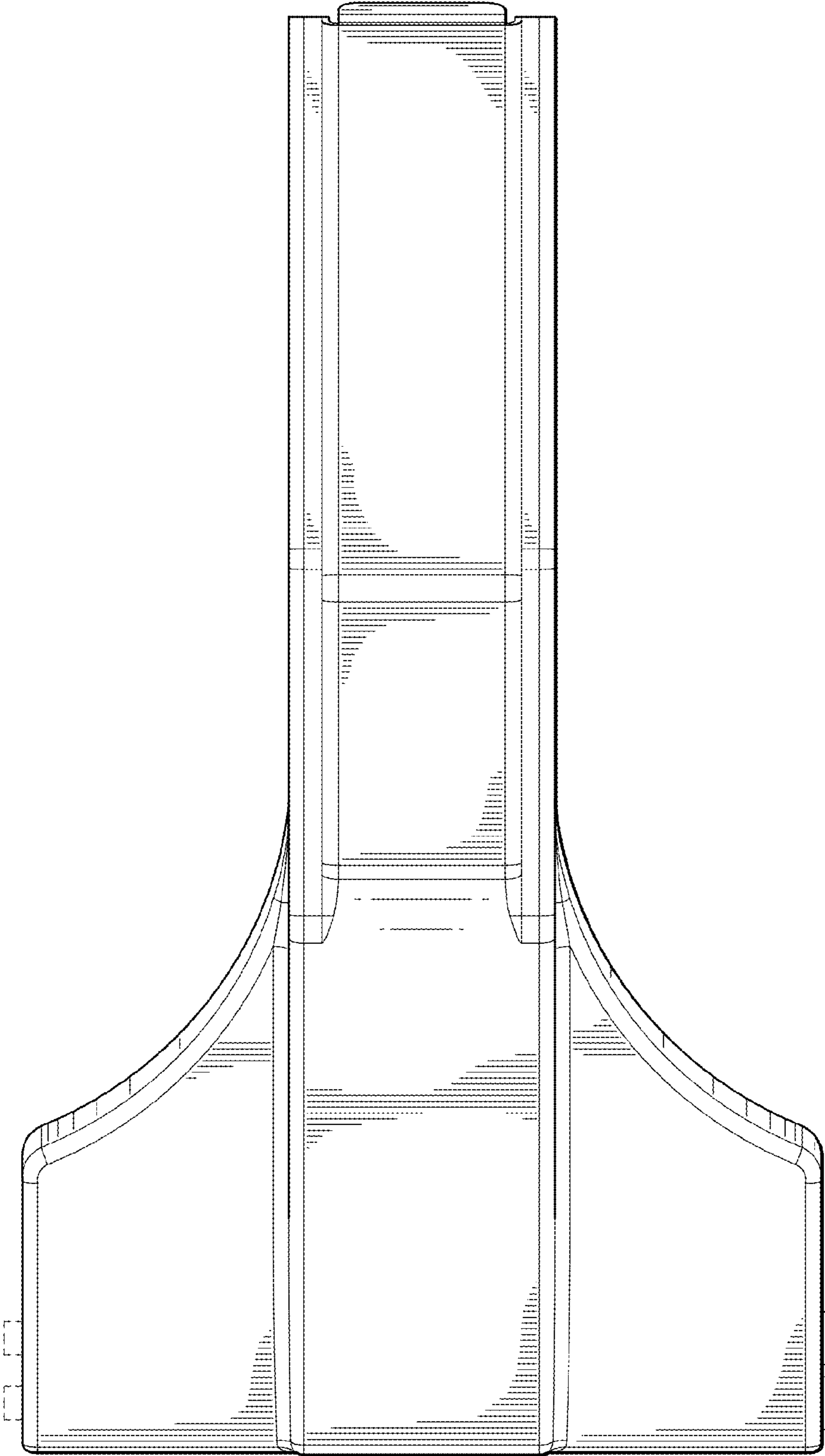


FIG. 6

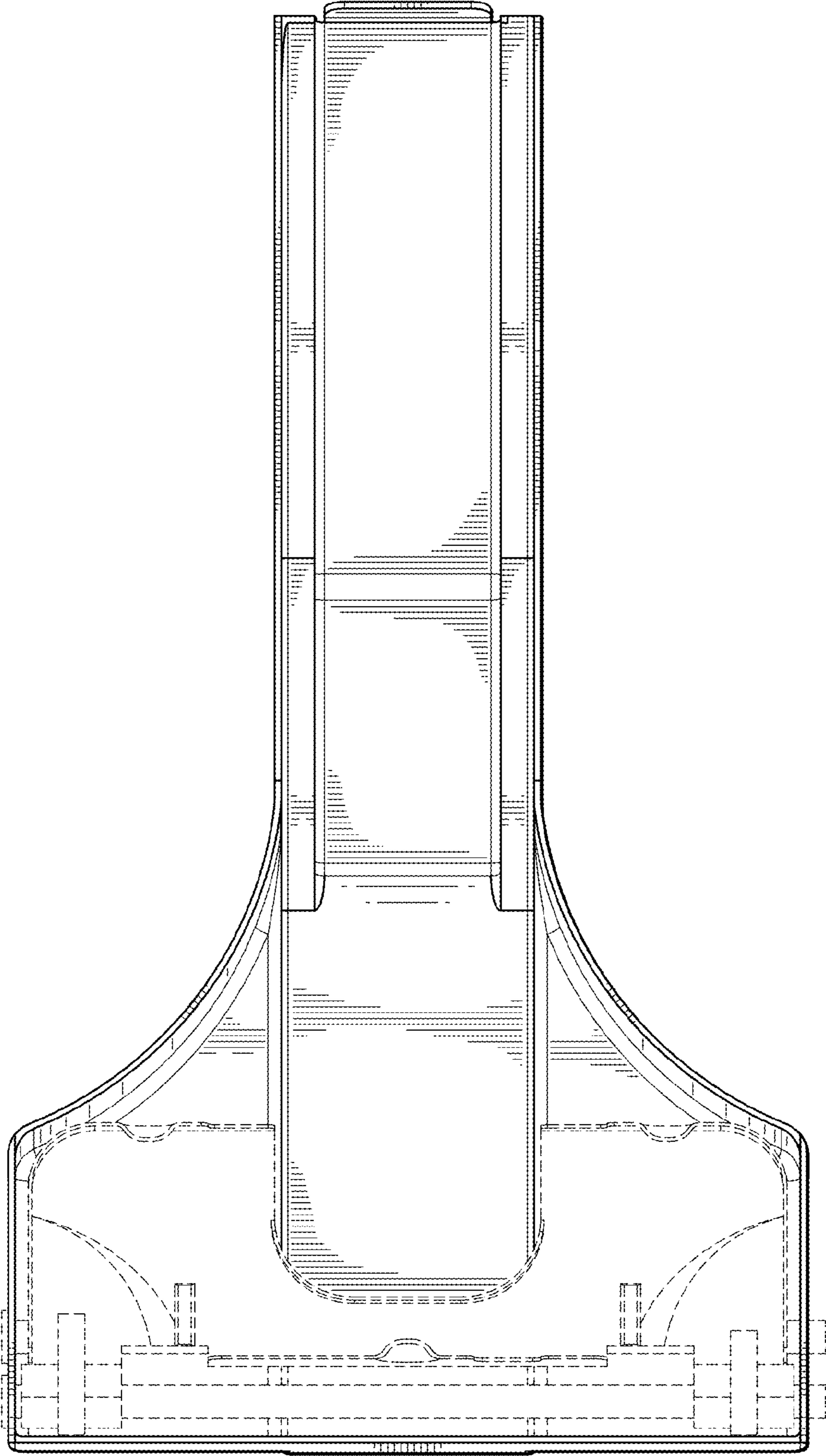


FIG. 7