



US00D719810S

(12) **United States Design Patent**  
**Lu**

(10) **Patent No.:** **US D719,810 S**  
(45) **Date of Patent:** **\*\* Dec. 23, 2014**

(54) **HINGE**

(71) Applicant: **Dongguan Weihong Hardware and Plastic Products Co., Ltd.**, Dongguan (CN)

(72) Inventor: **Wei Lu**, Dongguan (CN)

(73) Assignee: **Dongguan Weihong Hardware and Plastic Products Co., Ltd.**, Dongguan, Guangdong (CN)

(\*\*) Term: **14 Years**

(21) Appl. No.: **29/483,547**

(22) Filed: **Feb. 28, 2014**

(30) **Foreign Application Priority Data**

Dec. 31, 2013 (CN) ..... 2013 3 0646821  
Dec. 31, 2013 (CN) ..... 2013 3 0657093

(51) **LOC (10) Cl.** ..... **08-06**

(52) **U.S. Cl.**  
USPC ..... **D8/323**

(58) **Field of Classification Search**

CPC ..... E05Y 2900/00; E05D 3/00; E05D 1/00  
USPC ..... D8/323, 327, 328, 329; D23/303;  
4/236, 240; 16/225, 250, 682, 309,  
16/235, 275, 244, 379, 390, 430, 241, 238,  
16/245, 236, 243, 242, 385, 331, 274  
See application file for complete search history.

(56) **References Cited**

**U.S. PATENT DOCUMENTS**

D140,298 S \* 2/1945 Wilson ..... D8/323  
3,278,981 A \* 10/1966 Glenn et al. .... 16/275

3,349,427 A \* 10/1967 Cairns et al. .... 16/273  
D222,234 S \* 10/1971 Imber et al. .... D8/355  
D297,912 S \* 10/1988 Richards ..... D8/323  
D335,622 S \* 5/1993 Millsap ..... D8/323  
D392,175 S \* 3/1998 Beck ..... D8/323  
D407,624 S \* 4/1999 Ehrig ..... D8/323  
6,134,751 A \* 10/2000 Carrier et al. .... 16/242  
D433,918 S \* 11/2000 Bradley et al. .... D8/323  
6,269,520 B1 \* 8/2001 Kovalchek ..... 16/221  
D458,626 S \* 6/2002 Desbierz-Piat ..... D16/334  
D500,660 S \* 1/2005 Larner et al. .... D8/323  
7,100,245 B2 \* 9/2006 Wohlfarth ..... 16/367  
7,240,400 B2 \* 7/2007 Bonham ..... 16/238  
D611,801 S \* 3/2010 Chustak ..... D8/355  
D633,773 S \* 3/2011 Yamanaka ..... D8/323  
8,225,460 B2 \* 7/2012 Hooton et al. .... 16/367  
D683,609 S \* 6/2013 Frank et al. .... D8/323

\* cited by examiner

*Primary Examiner* — Cynthia Underwood

(74) *Attorney, Agent, or Firm* — Shimokaji & Associates P.C.

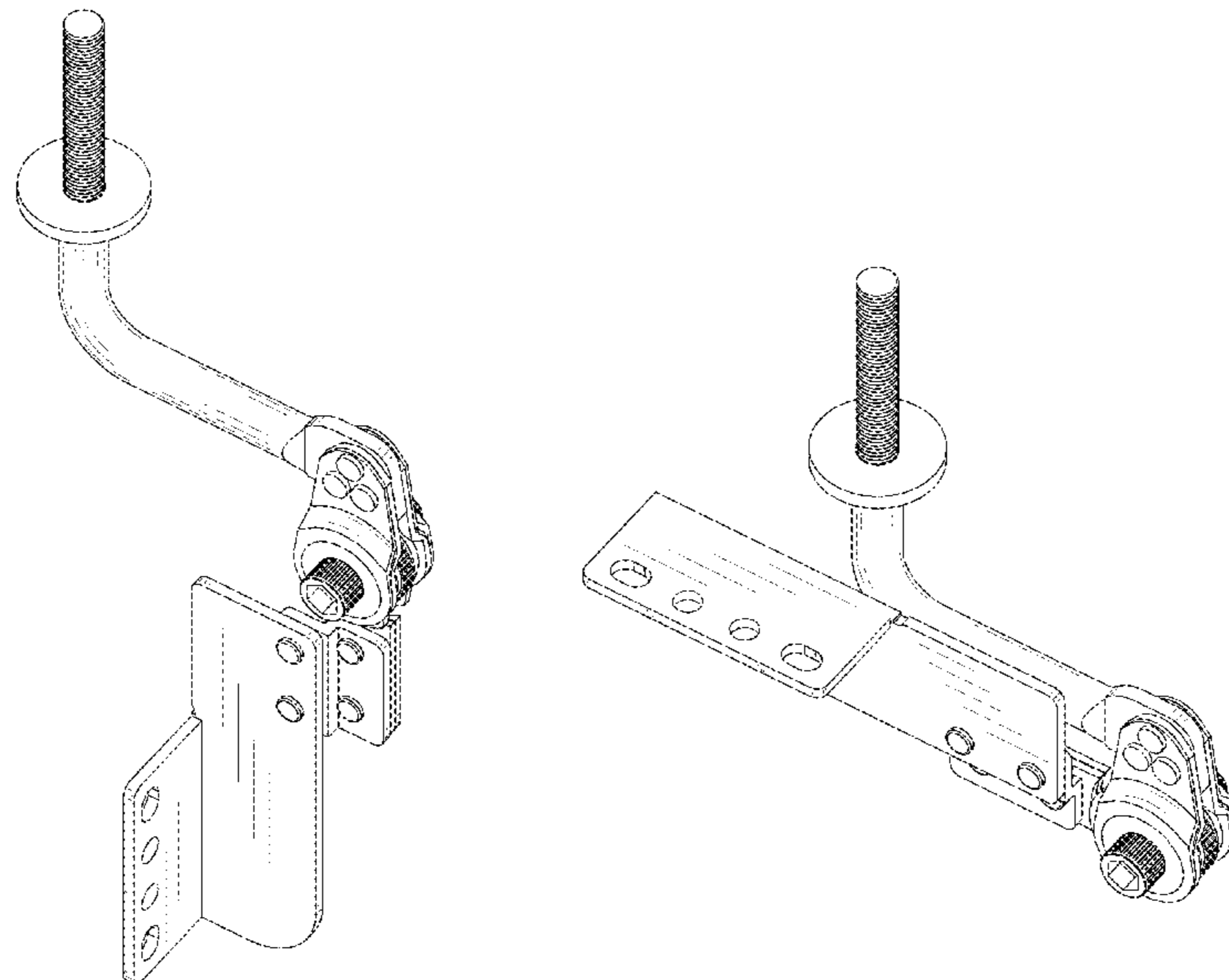
(57) **CLAIM**

The ornamental design for a hinge, as shown and described.

**DESCRIPTION**

FIG. 1 is a front elevational view of a hinge showing my new design;  
FIG. 2 is a rear elevational view of FIG. 1;  
FIG. 3 is a left side elevational view of FIG. 1;  
FIG. 4 is a right side elevational view of FIG. 1;  
FIG. 5 is a top plan view of FIG. 1;  
FIG. 6 is a bottom plan view of FIG. 1;  
FIG. 7 is a perspective view of FIG. 1; and,  
FIG. 8 is a perspective view of shown in a folded configuration.

**1 Claim, 7 Drawing Sheets**



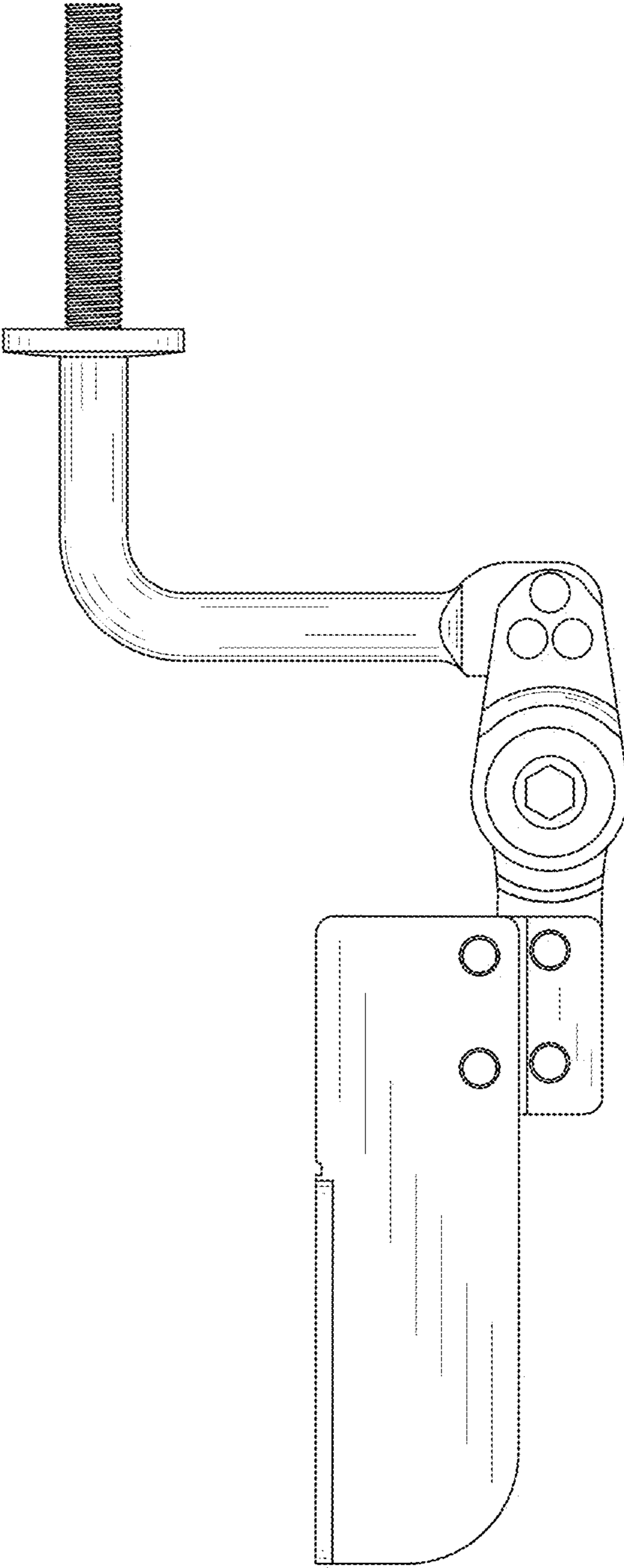


FIG. 1

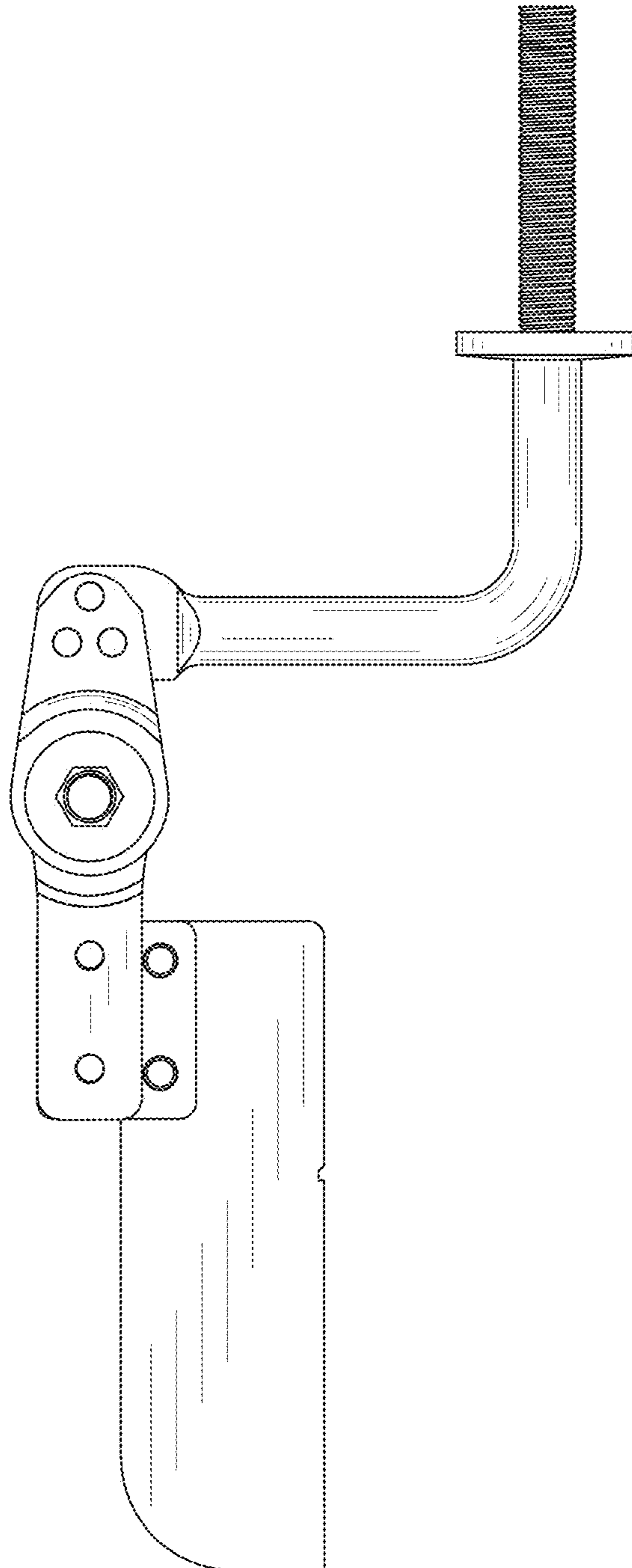


FIG.2

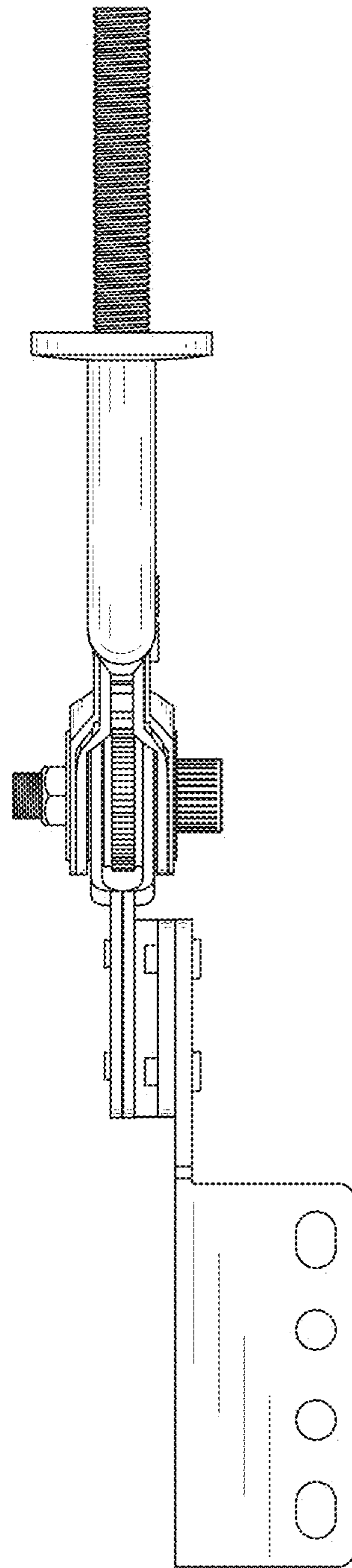


FIG.3

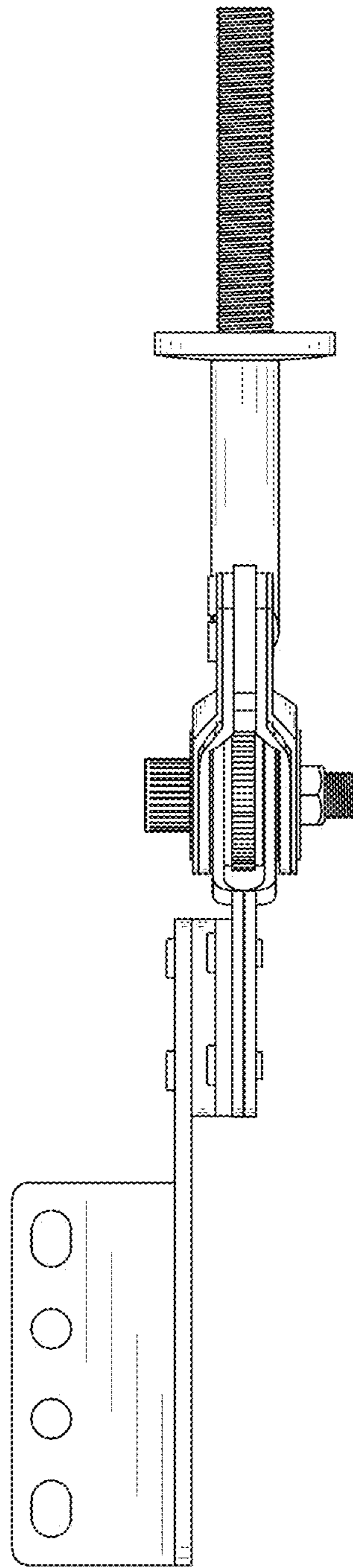


FIG. 4

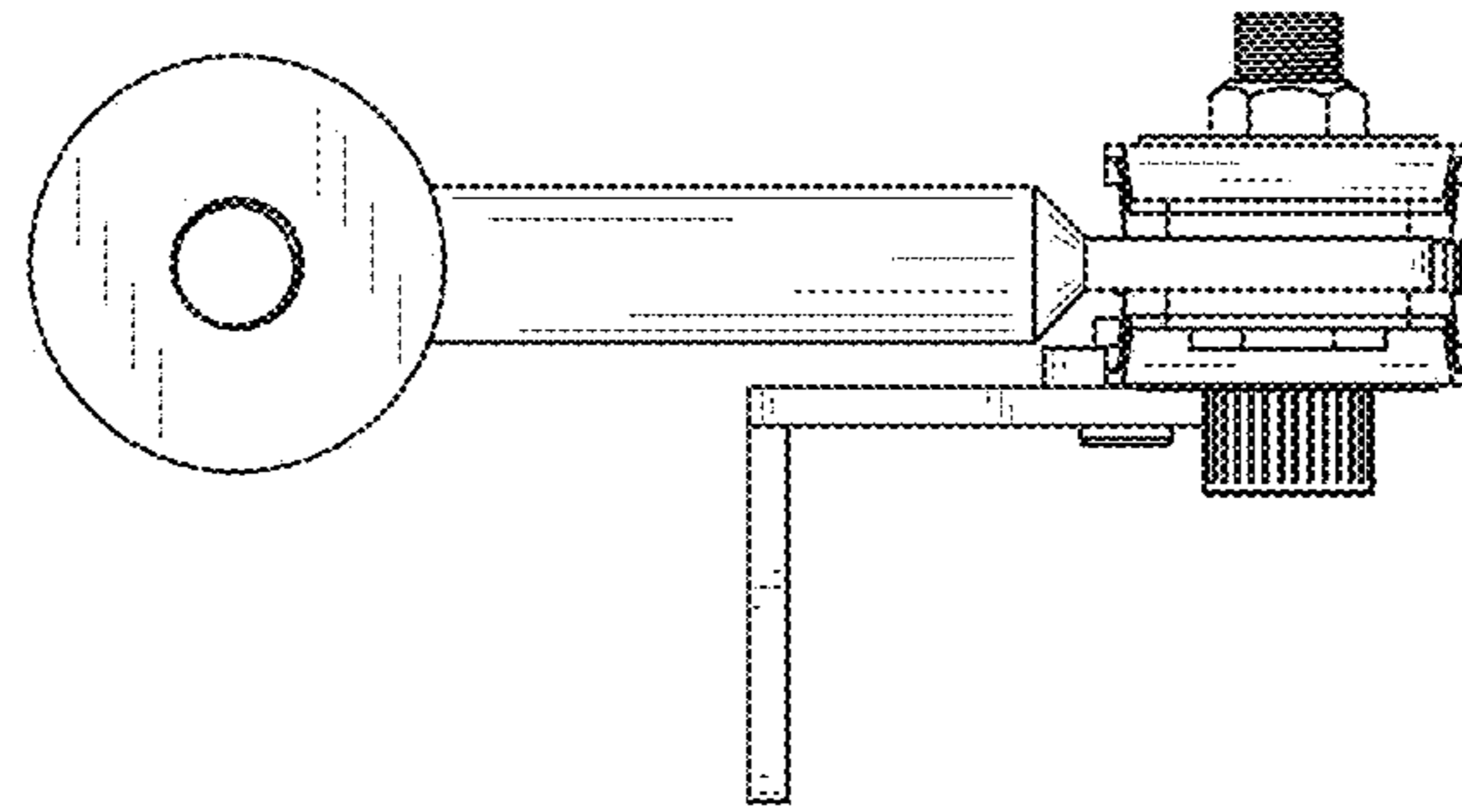


FIG. 5

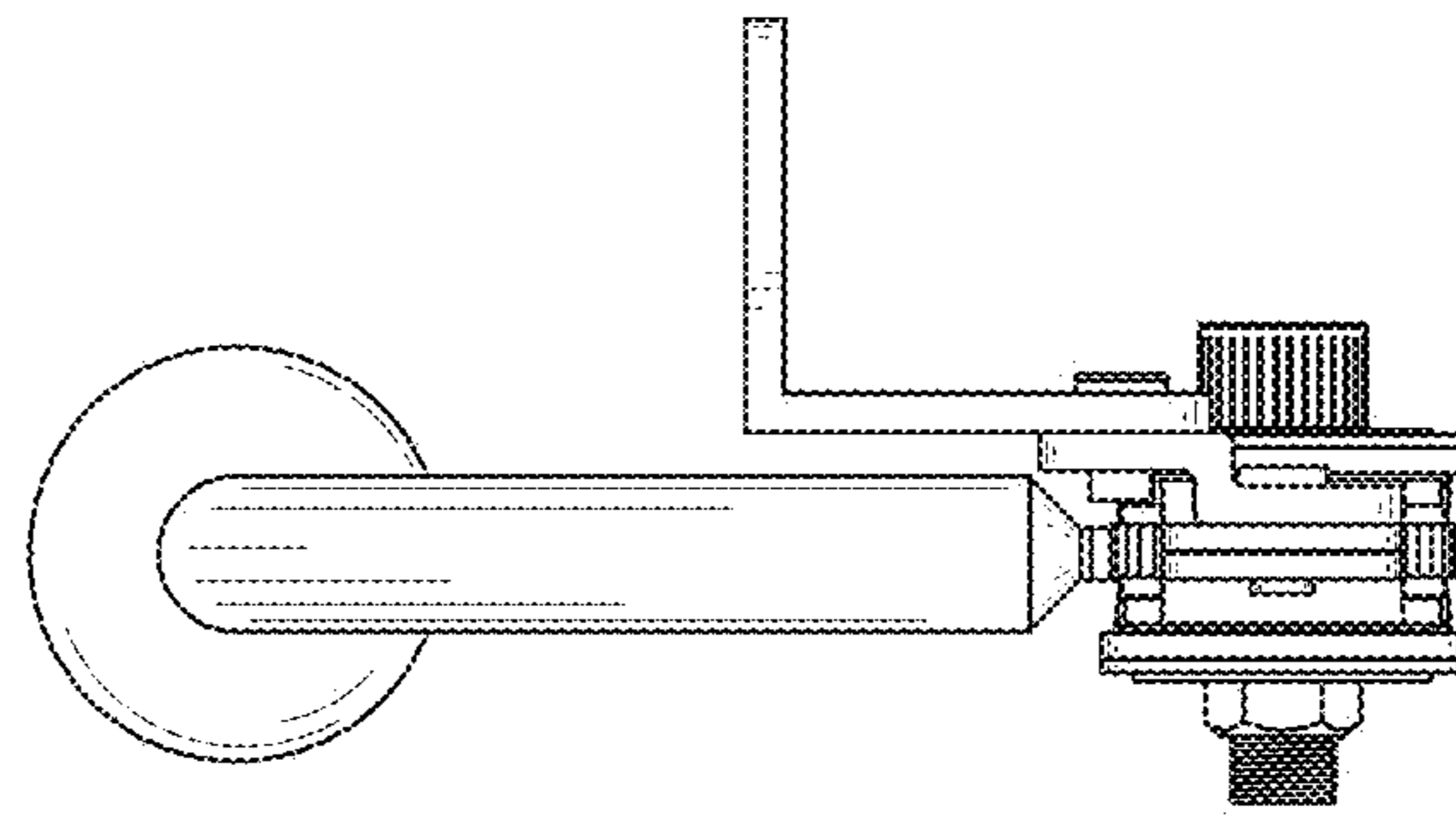


FIG. 6

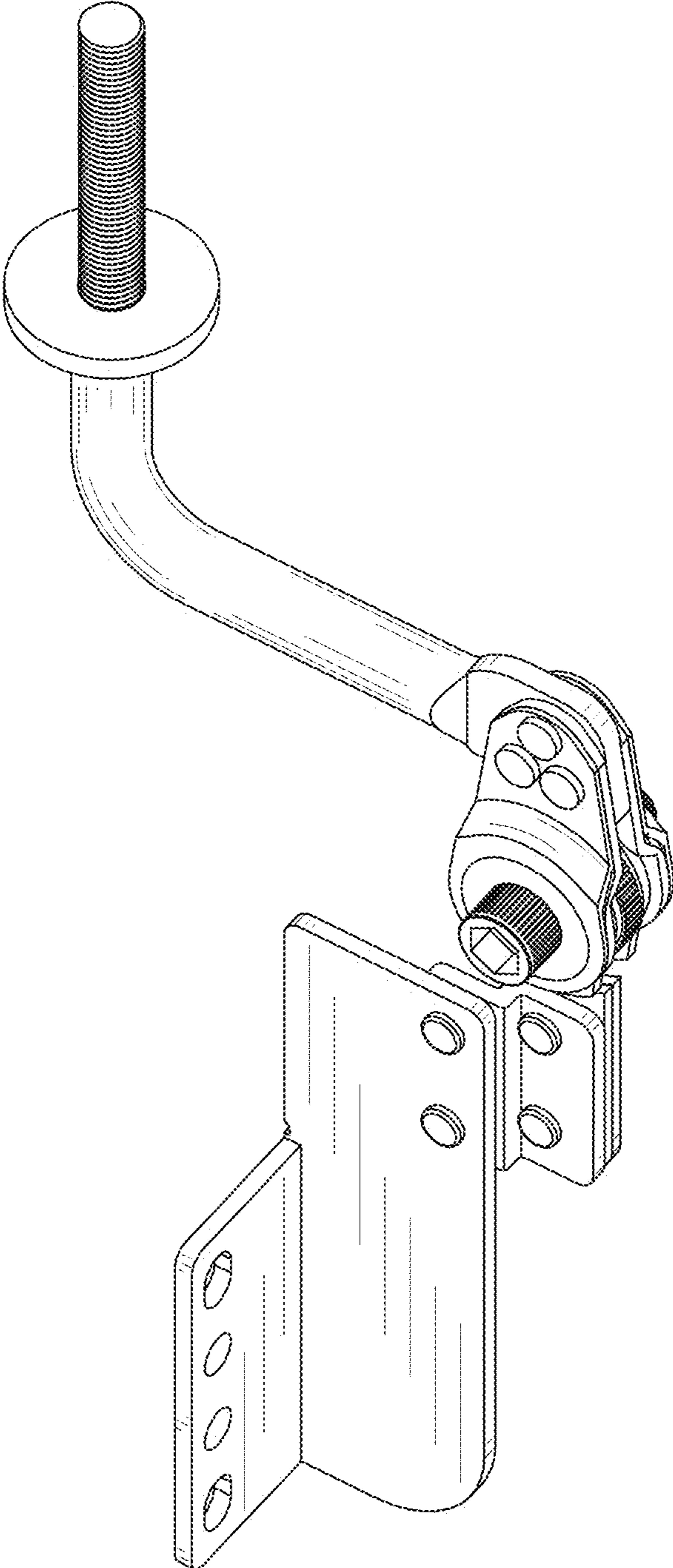


FIG.7

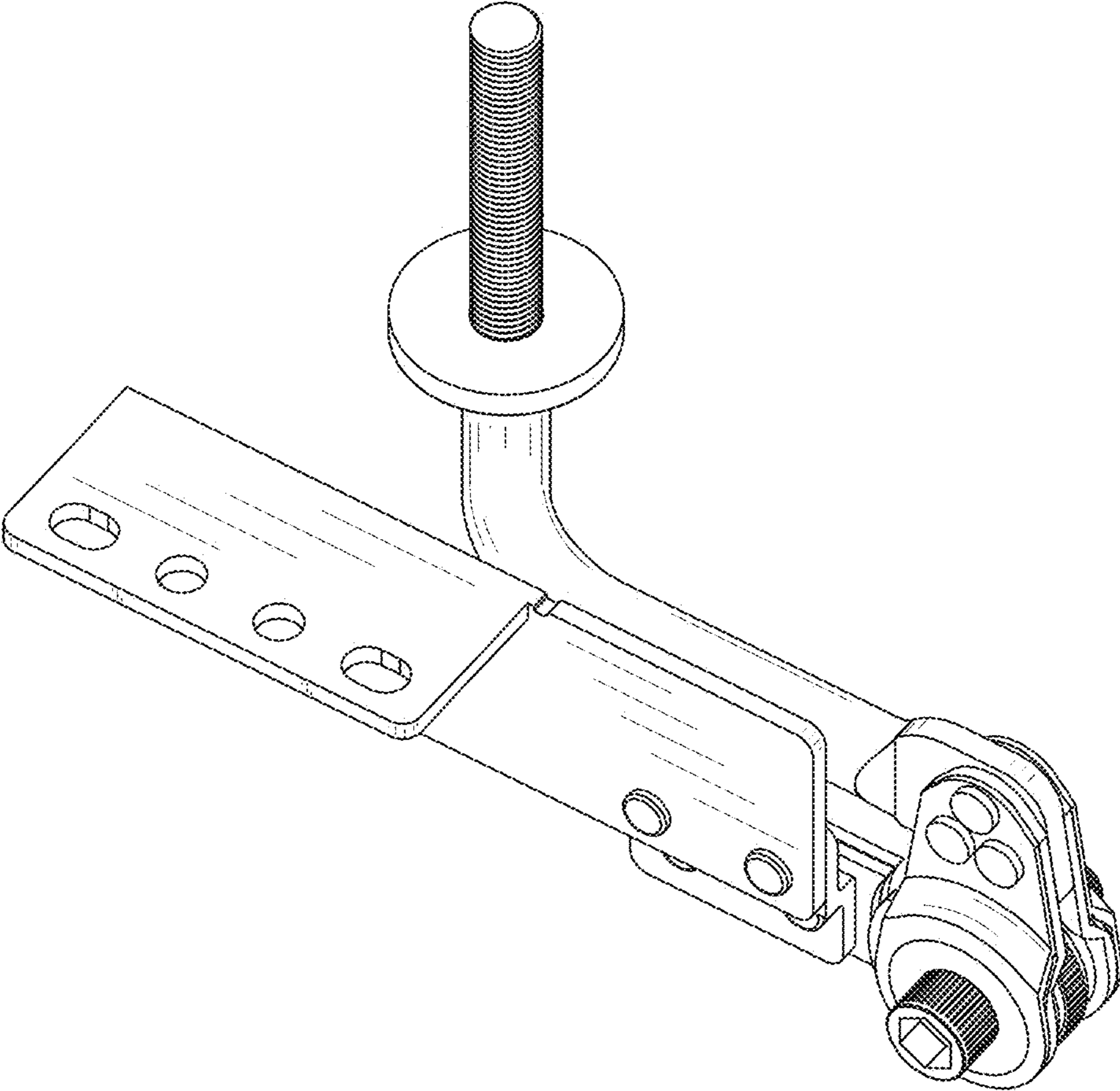


FIG. 8