



US00D719809S

(12) **United States Design Patent**
Mitchell et al.

(10) **Patent No.:** **US D719,809 S**
(45) **Date of Patent:** **** Dec. 23, 2014**

(54) **DOOR HINGE**

(71) Applicant: **Kason Industries, Inc.**, Newnan, GA
(US)

(72) Inventors: **Brett A Mitchell**, Newnan, GA (US);
Jeffrey E Underwood, Newnan, GA
(US)

(73) Assignee: **Kason Industries, Inc.**, Newnan, GA
(US)

(**) Term: **14 Years**

(21) Appl. No.: **29/445,005**

(22) Filed: **Feb. 6, 2013**

(51) **LOC (10) Cl.** **08-06**

(52) **U.S. Cl.**
USPC **D8/323; D8/328**

(58) **Field of Classification Search**
CPC E05D 3/00; E05D 1/00; E05Y 2900/00
USPC D8/323, 327, 328, 329; D23/303;
4/236, 240; 16/225, 250, 682, 309,
16/235, 275, 244, 379, 390, 430, 241, 238,
16/245, 236, 243, 242, 385, 331, 274
See application file for complete search history.

(56) **References Cited**

U.S. PATENT DOCUMENTS

3,748,688	A *	7/1973	Berkowitz	16/247
4,631,777	A *	12/1986	Takimoto	16/315
D299,420	S *	1/1989	Takahashi	D8/329
D302,104	S *	7/1989	Takahashi	D8/329
D302,105	S *	7/1989	Takahashi	D8/329

D348,201	S *	6/1994	Ferrari	D8/323
D395,590	S *	6/1998	Finkelstein et al.	D8/323
D401,134	S	11/1998	Finkelstein		
6,401,298	B1 *	6/2002	Lenz	16/335
6,557,210	B2 *	5/2003	Kincaid	16/250
7,584,523	B1	9/2009	Finkelstein et al.		
D627,690	S *	11/2010	Madden	D12/126
7,870,642	B1	1/2011	Finkelstein et al.		
D637,060	S	5/2011	Mitchell et al.		
7,945,996	B2 *	5/2011	Gunderson	16/312
D645,725	S	9/2011	Katz et al.		
8,020,253	B1	9/2011	Finkelstein et al.		
D658,031	S	4/2012	Mitchell et al.		
8,407,859	B1	4/2013	Mitchell et al.		
D684,839	S *	6/2013	Oshima	D8/323
D700,036	S *	2/2014	Oshima	D8/323

* cited by examiner

Primary Examiner — Cynthia Underwood

(74) *Attorney, Agent, or Firm* — Baker Donelson

(57) **CLAIM**

The ornamental design for a door hinge, as shown and described.

DESCRIPTION

FIG. 1 is a perspective view of a door hinge showing our new design.

FIG. 2 is a top view thereof.

FIG. 3 is a bottom view thereof.

FIG. 4 is a left side view thereof.

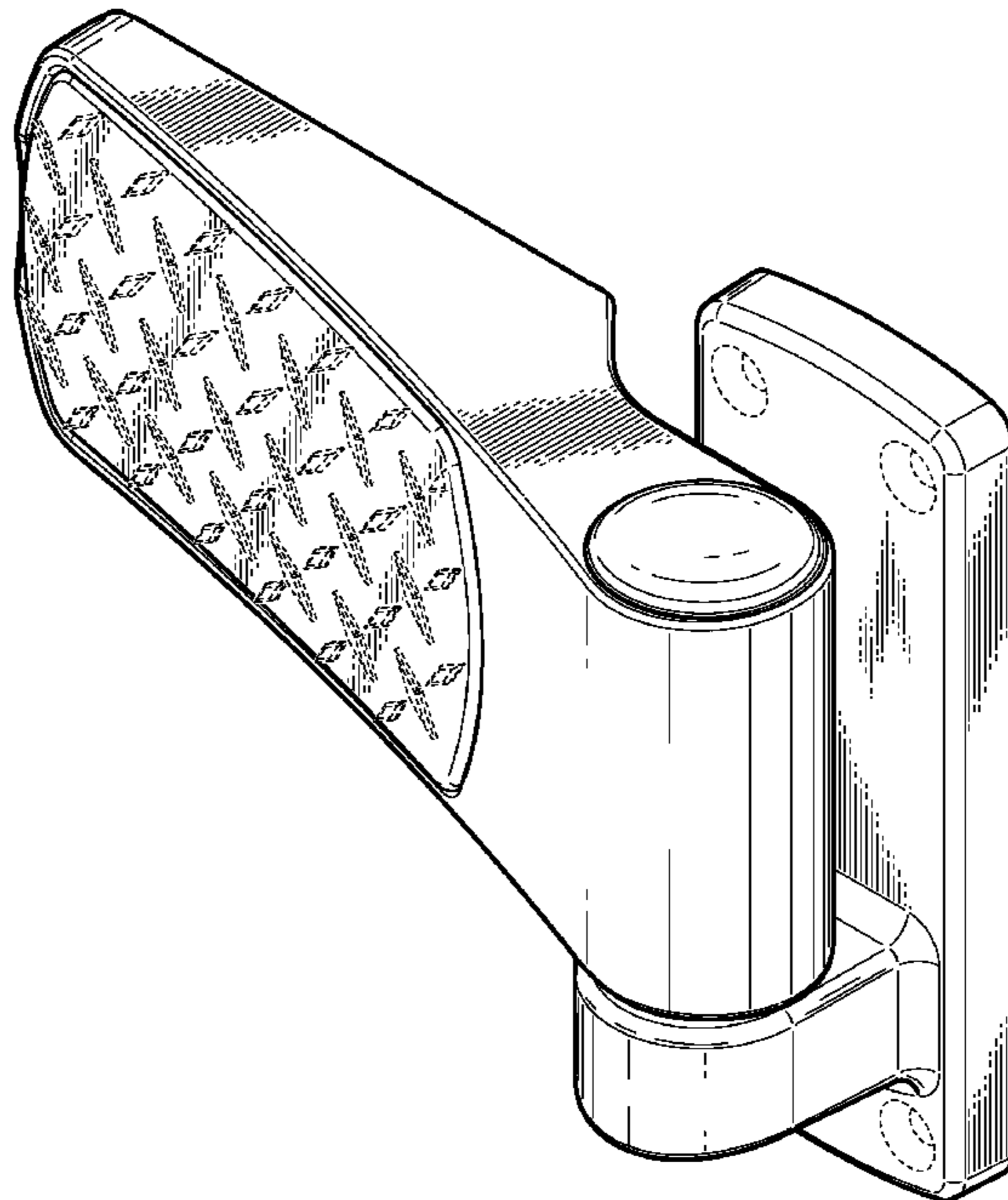
FIG. 5 is a right side view thereof.

FIG. 6 is a front view thereof; and,

FIG. 7 is a rear view thereof.

The broken lines depict portions of the door hinge that form no part of the claimed design.

1 Claim, 5 Drawing Sheets



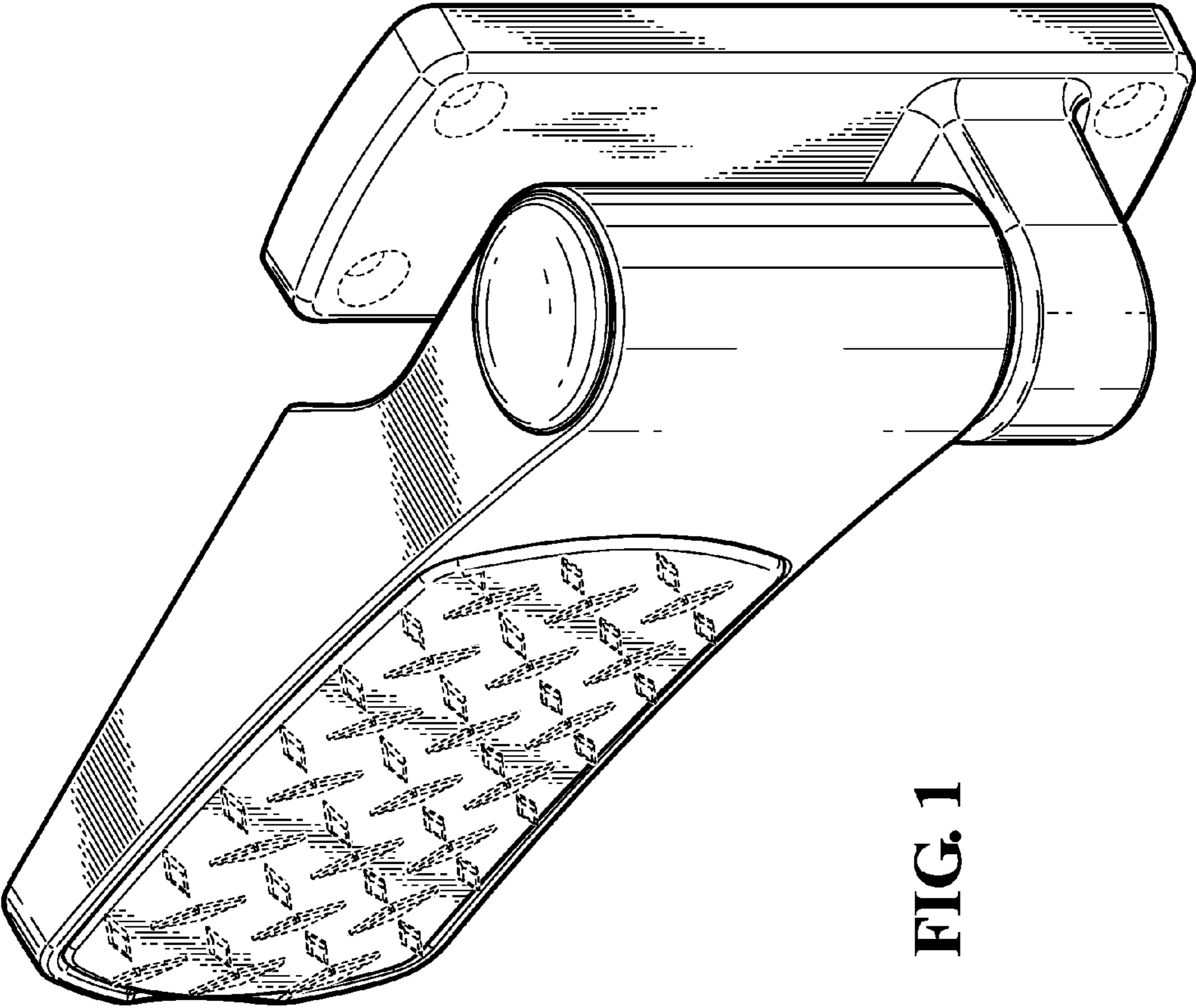


FIG. 1

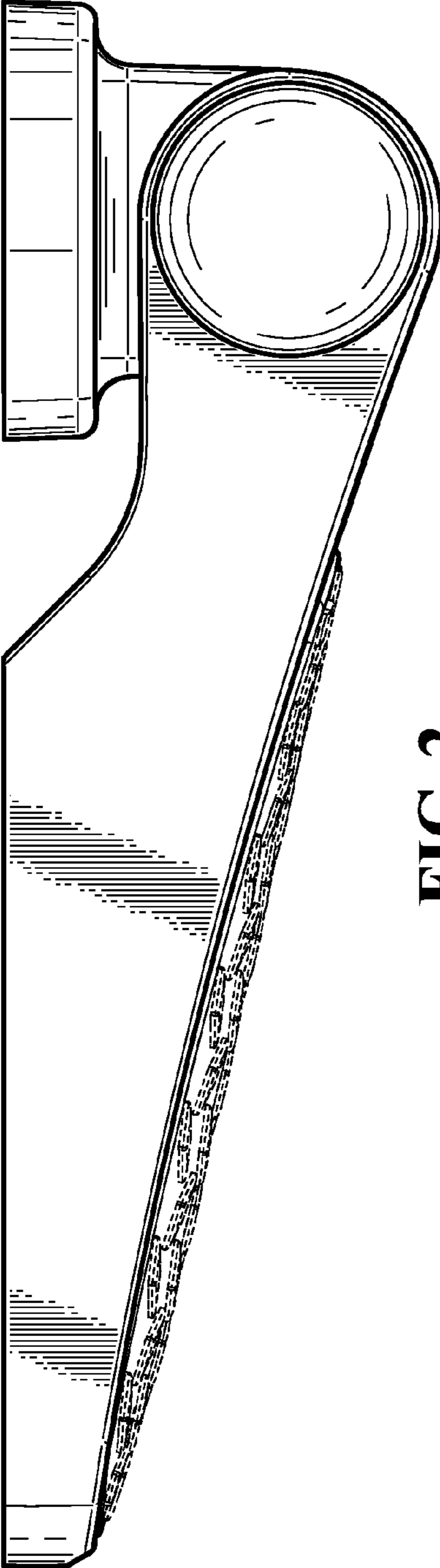


FIG. 2

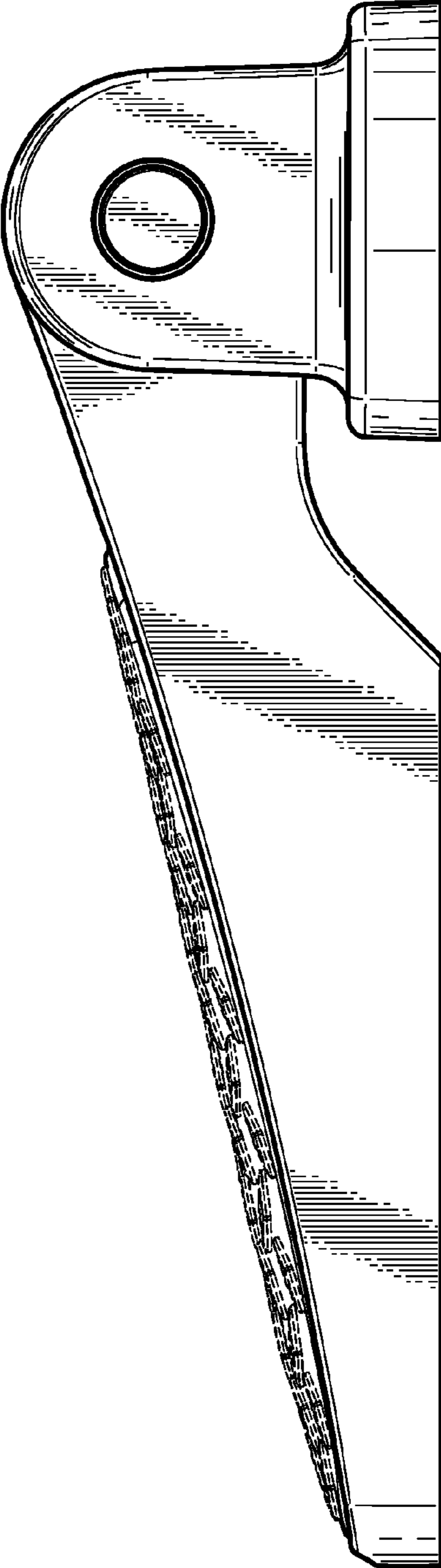


FIG. 3

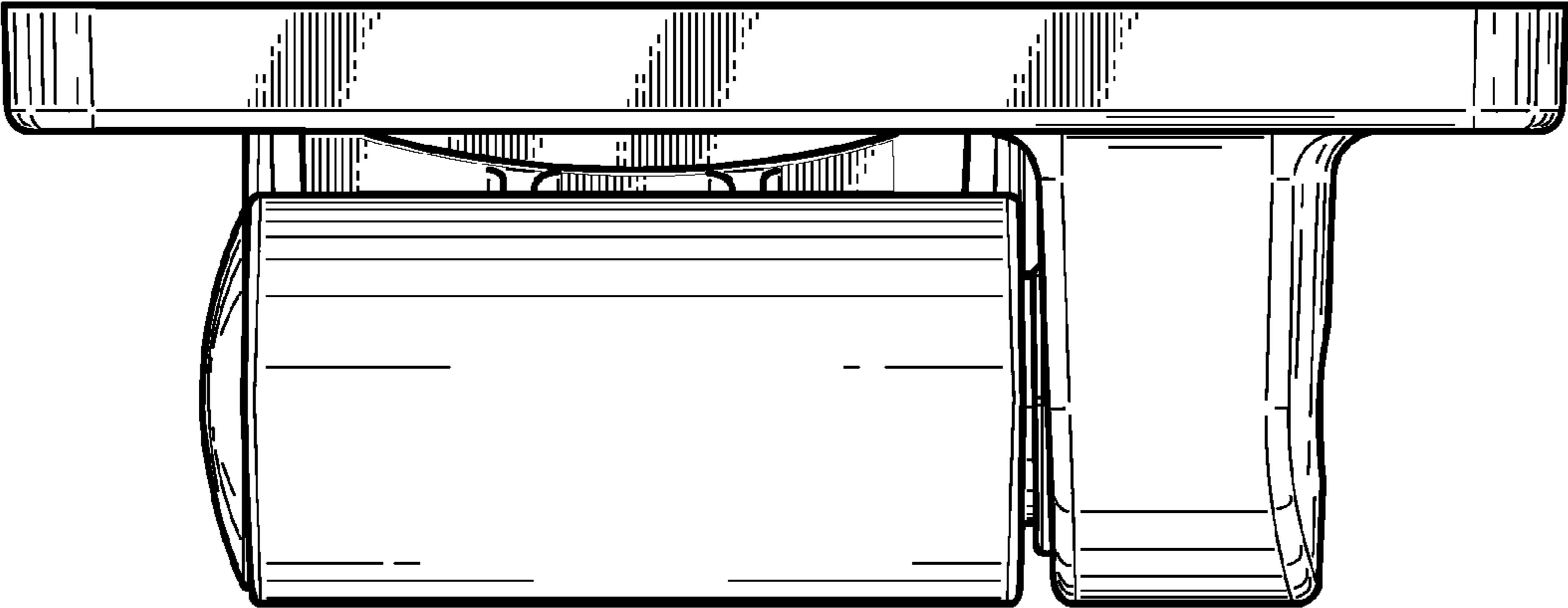


FIG. 5

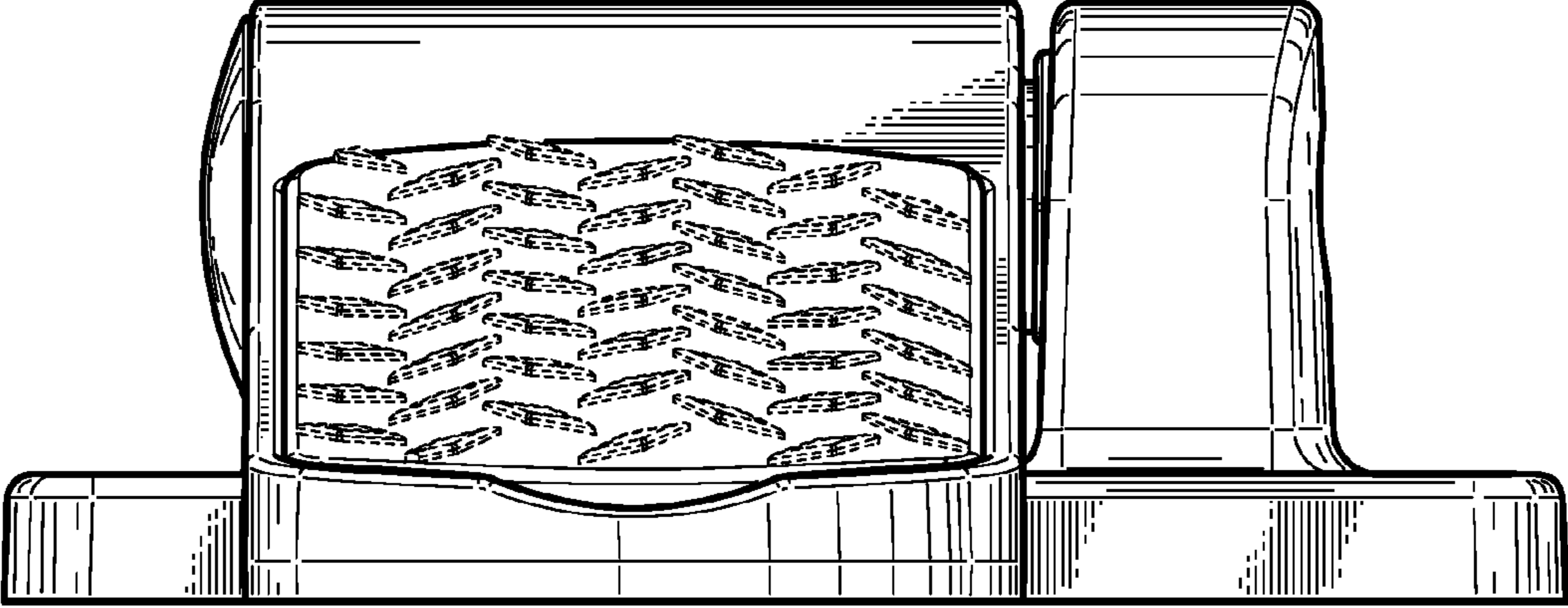


FIG. 4

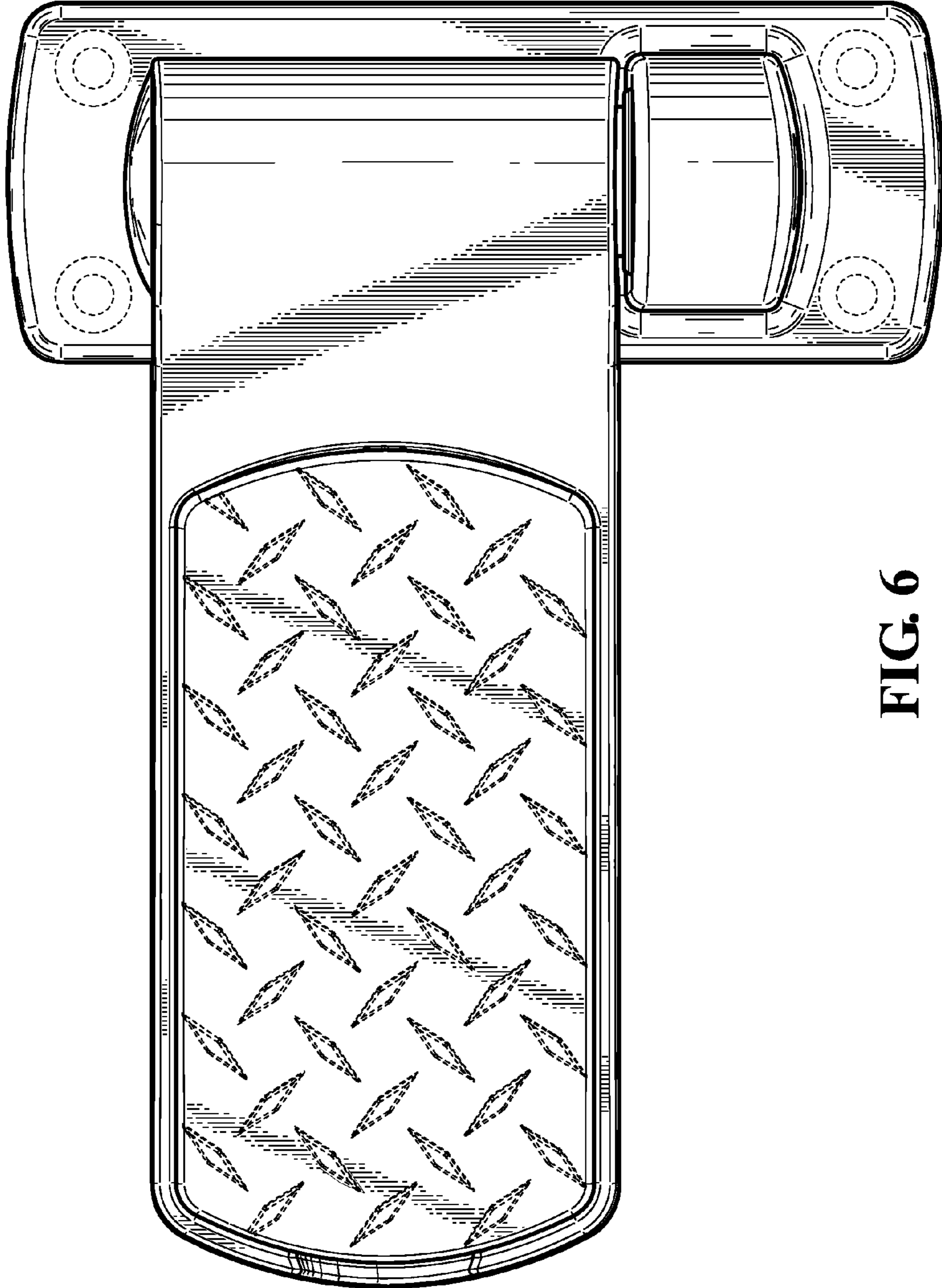


FIG. 6

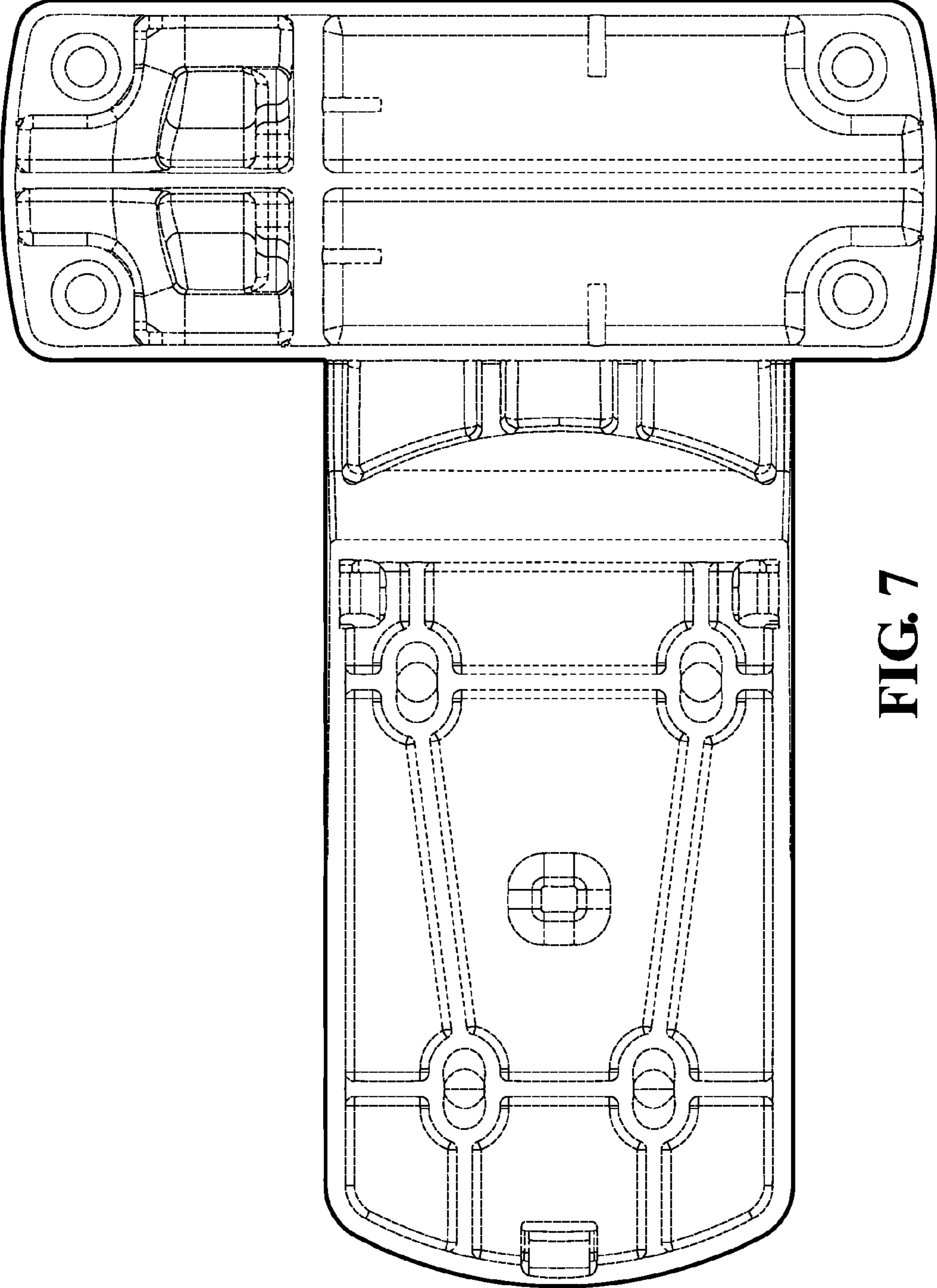


FIG. 7