



US00D719808S

(12) **United States Design Patent**
Musser

(10) **Patent No.:** **US D719,808 S**
(45) **Date of Patent:** **** Dec. 23, 2014**

- (54) **HAND GRIP FOR HAND TOOLS**
- (71) Applicant: **Midwest Tool and Cutlery Company,**
Sturgis, MI (US)
- (72) Inventor: **Scott Musser,** Sturgis, MI (US)
- (73) Assignee: **Midwest Tool and Cutlery Company,**
Sturgis, MI (US)
- (**) Term: **14 Years**
- (21) Appl. No.: **29/466,447**
- (22) Filed: **Sep. 9, 2013**
- (51) **LOC (10) Cl.** **08-05**
- (52) **U.S. Cl.**
USPC **D8/107; D8/303**
- (58) **Field of Classification Search**
CPC **B25G 1/10**
USPC **D8/107, 303, 5, 15, 58; 16/430, 431,**
16/DIG. 12; 30/251, 252, 261, 262, 266;
81/427.5; 71/551.9
See application file for complete search history.

6,006,422	A *	12/1999	Hickox	29/758
D428,571	S *	7/2000	Wen	D8/107
D455,631	S *	4/2002	Kalanish	D8/107
D458,815	S *	6/2002	Meyerratken	D8/5
6,574,870	B1 *	6/2003	Huang	30/252
D494,040	S *	8/2004	Phillips	D8/107
D503,081	S *	3/2005	Lucus et al.	D8/107
D521,348	S *	5/2006	Walker	D8/107
D544,770	S *	6/2007	Yang	D8/52
D577,563	S *	9/2008	Chen	D8/107
D579,745	S *	11/2008	Huang	D8/107
D600,092	S *	9/2009	Peterson et al.	D8/107
D618,078	S *	6/2010	Cripps et al.	D8/52
D623,498	S *	9/2010	Wong	D8/107
D631,322	S *	1/2011	Wong	D8/107
D649,420	S *	11/2011	Cunningham et al.	D8/57
D652,276	S *	1/2012	Good	D8/52

(Continued)

Primary Examiner — Paula Greene

(74) *Attorney, Agent, or Firm* — Frank H. Foster; Kremblas & Foster

(57) **CLAIM**

The ornamental design for a hand grip for hand tools, substantially as shown and described.

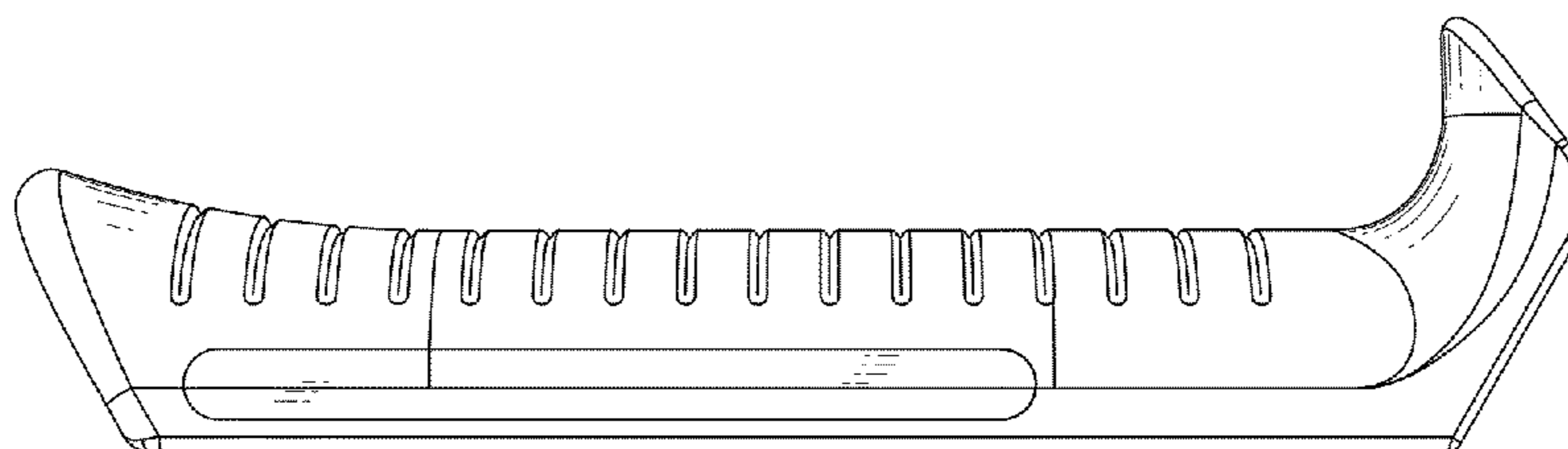
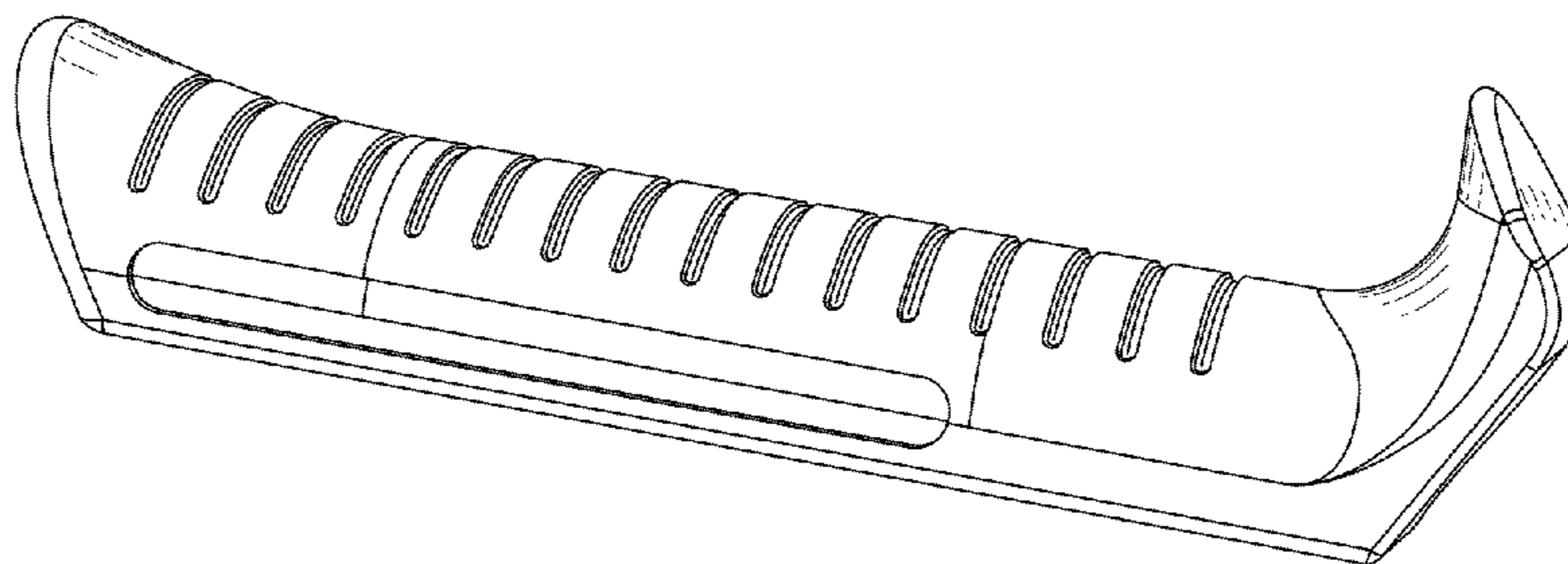
DESCRIPTION

FIG. 1 is a front right perspective view of a hand grip for hand tools showing my new design;
 FIG. 2 is a rear, left perspective view thereof;
 FIG. 3 is a right side view thereof;
 FIG. 4 is a left side view thereof;
 FIG. 5 is a front view thereof;
 FIG. 6 is a rear view thereof;
 FIG. 7 is a top, right side perspective view thereof;
 FIG. 8 is a top view thereof;
 FIG. 9 is a bottom right side perspective view thereof; and,
 FIG. 10 is a bottom view thereof.
 The broken lines form no part of the claimed design.

1 Claim, 3 Drawing Sheets

(56) **References Cited**
U.S. PATENT DOCUMENTS

1,503,536	A *	8/1924	Gustav	16/431
2,436,260	A *	2/1948	Klenk	30/239
2,535,215	A *	12/1950	Klenk	81/347
D169,114	S *	3/1953	Thober	D8/58
D255,980	S *	7/1980	Winget	D8/52
D258,930	S *	4/1981	Wahlberg	D8/22
D262,090	S *	12/1981	Wahlberg	D8/58
4,439,923	A *	4/1984	Scranton	30/252
D275,645	S *	9/1984	Ishida et al.	D8/5
4,502,222	A *	3/1985	Sargent	30/251
D301,537	S *	6/1989	Pittaway	D8/4
5,003,695	A *	4/1991	Lipscomb et al.	30/193
D323,769	S *	2/1992	Ishida et al.	D8/5
D418,031	S *	12/1999	Khachatoorian	D8/58



US D719,808 S

Page 2

(56)

References Cited

U.S. PATENT DOCUMENTS

D671,808 S *	12/2012	Yang	D8/4
D699,526 S *	2/2014	Wang	D8/5
2011/0131814 A1 *	6/2011	Musser	30/260
D665,243 S *	8/2012	Yang	D8/107

* cited by examiner

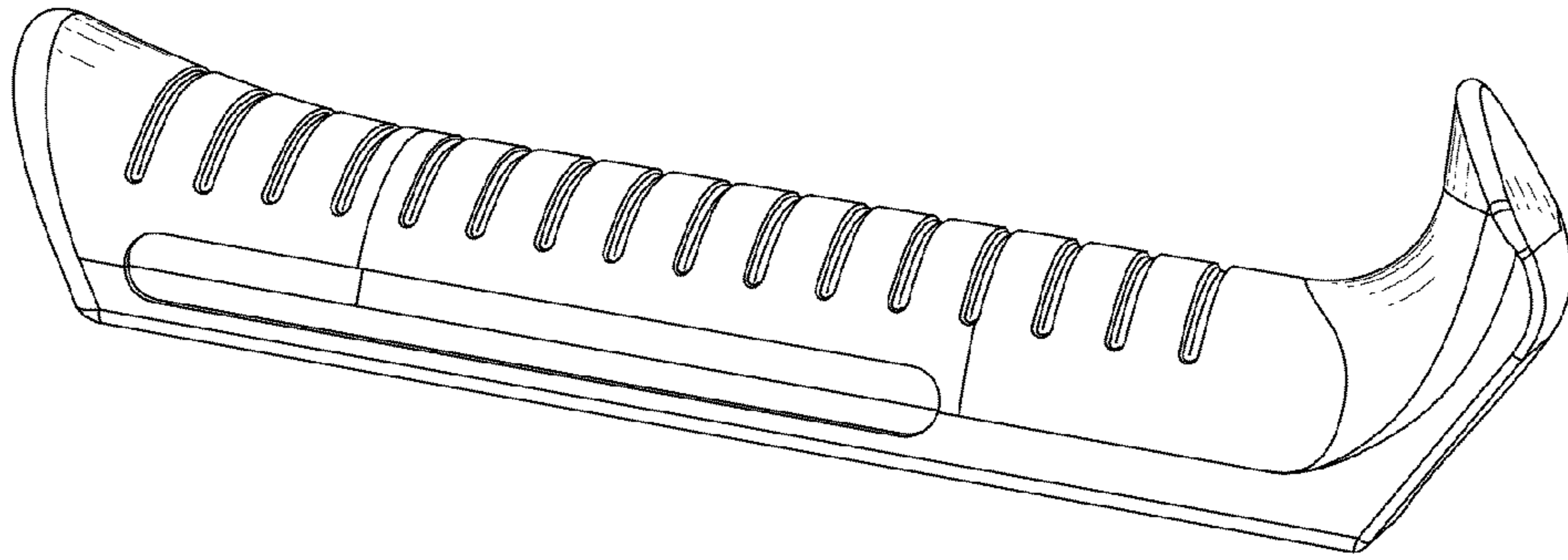


FIG. 1

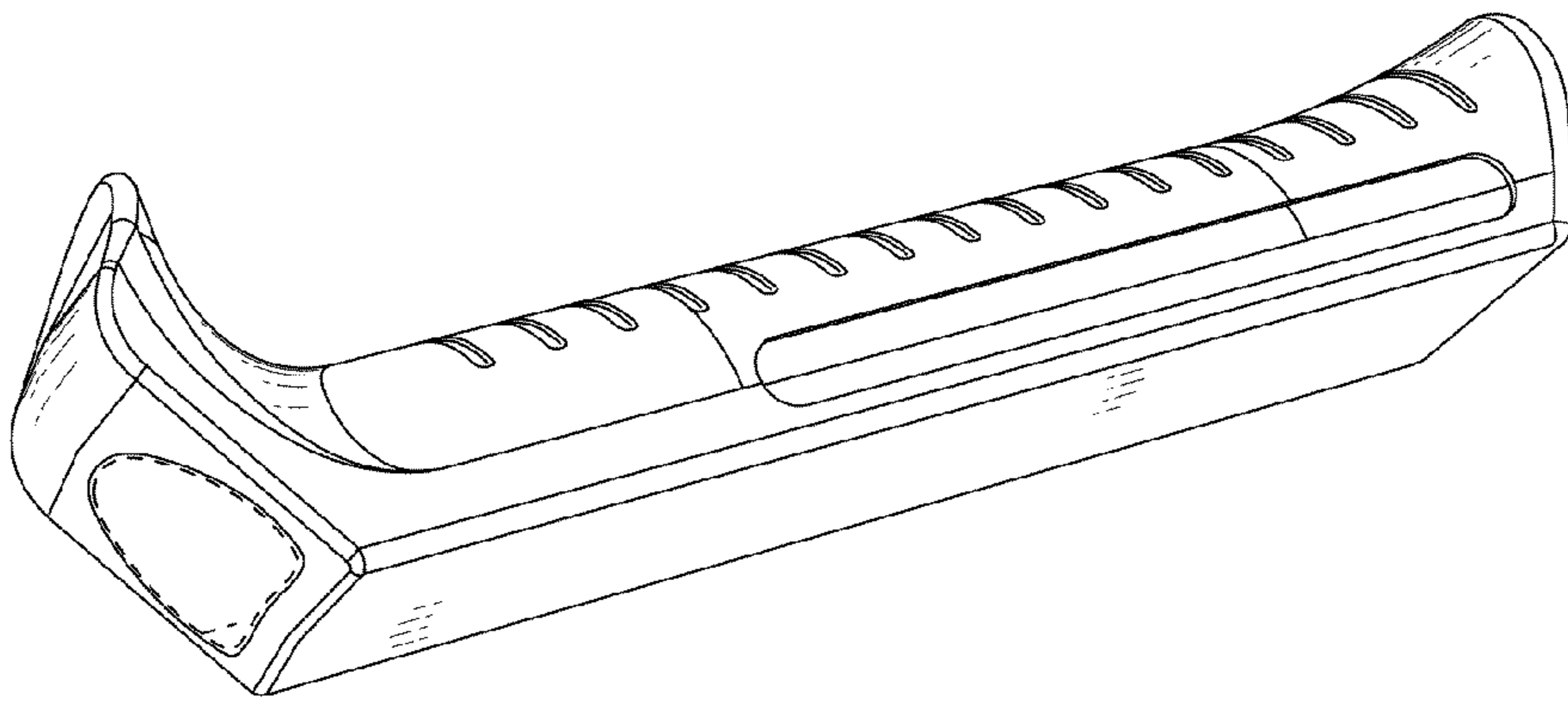


FIG. 2

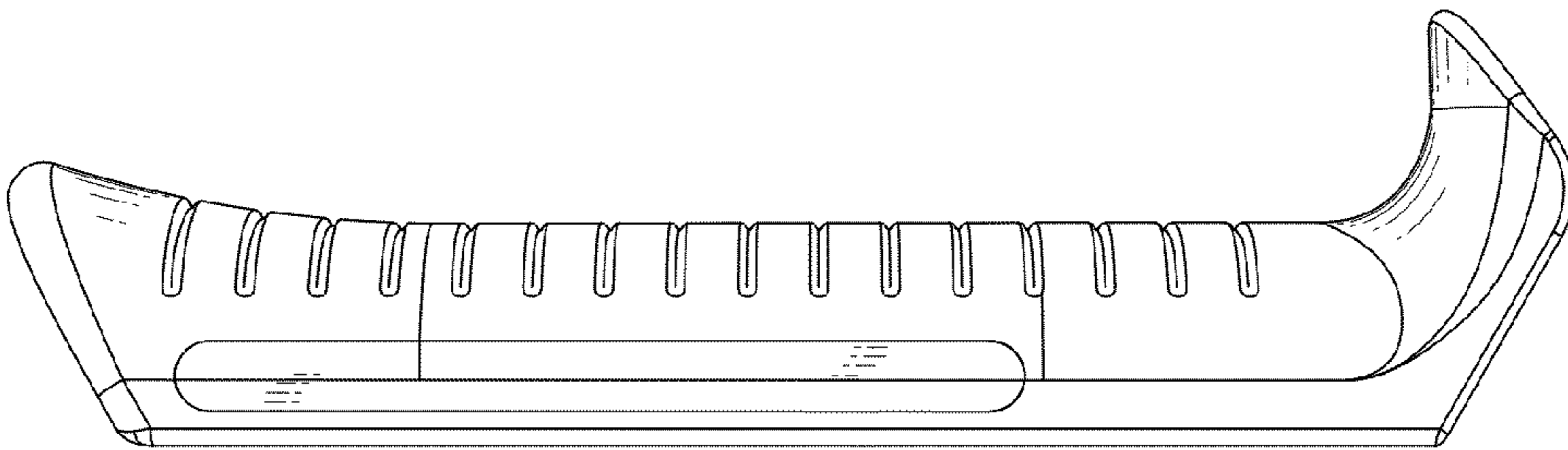


FIG. 3

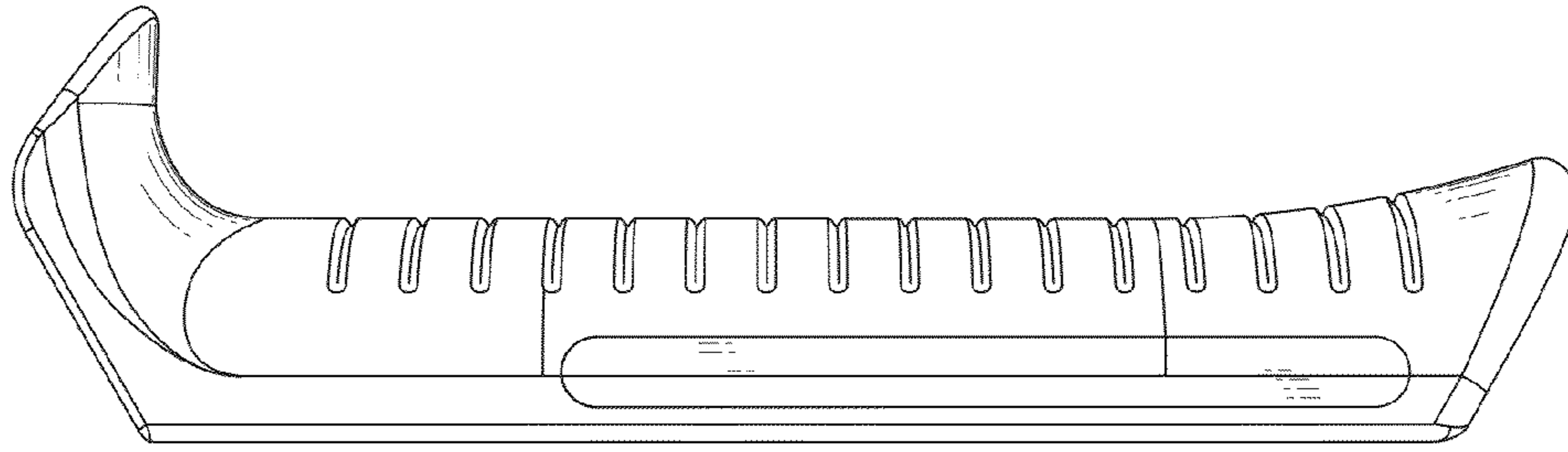


FIG. 4

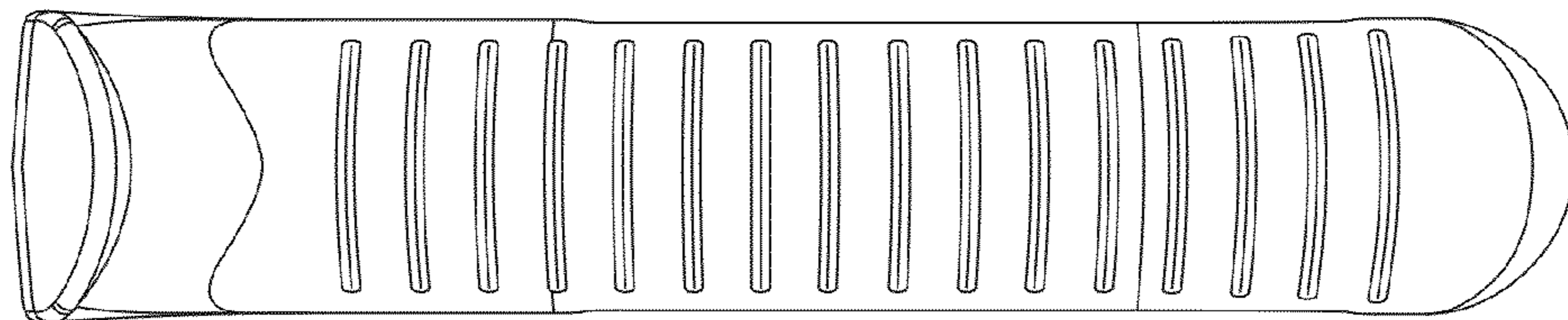


FIG. 5

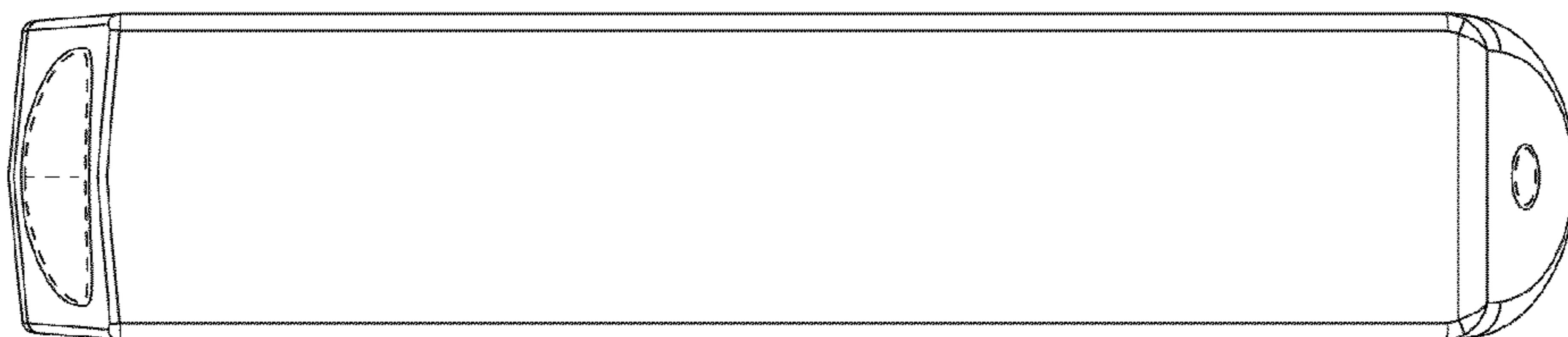


FIG. 6

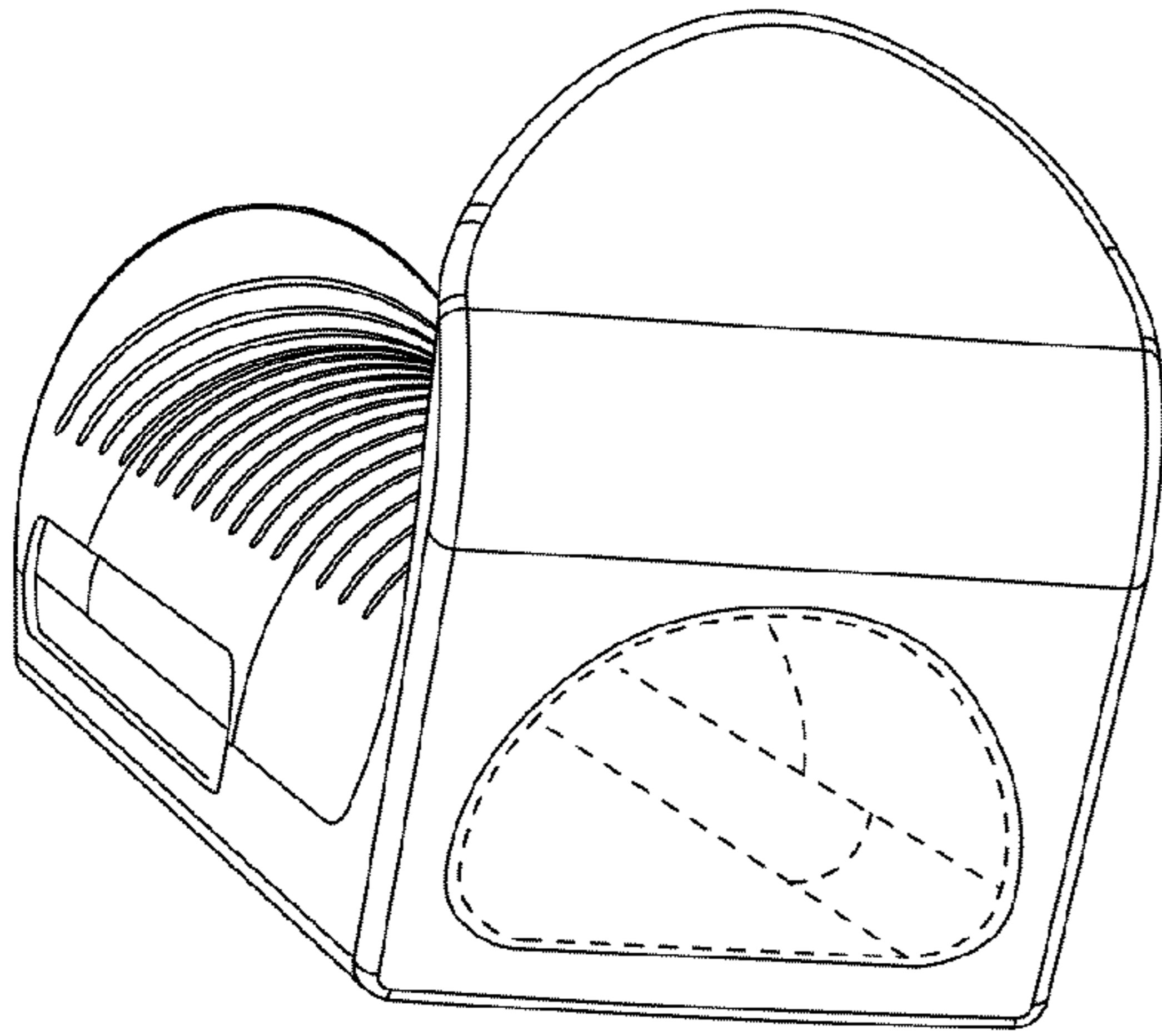


FIG. 7

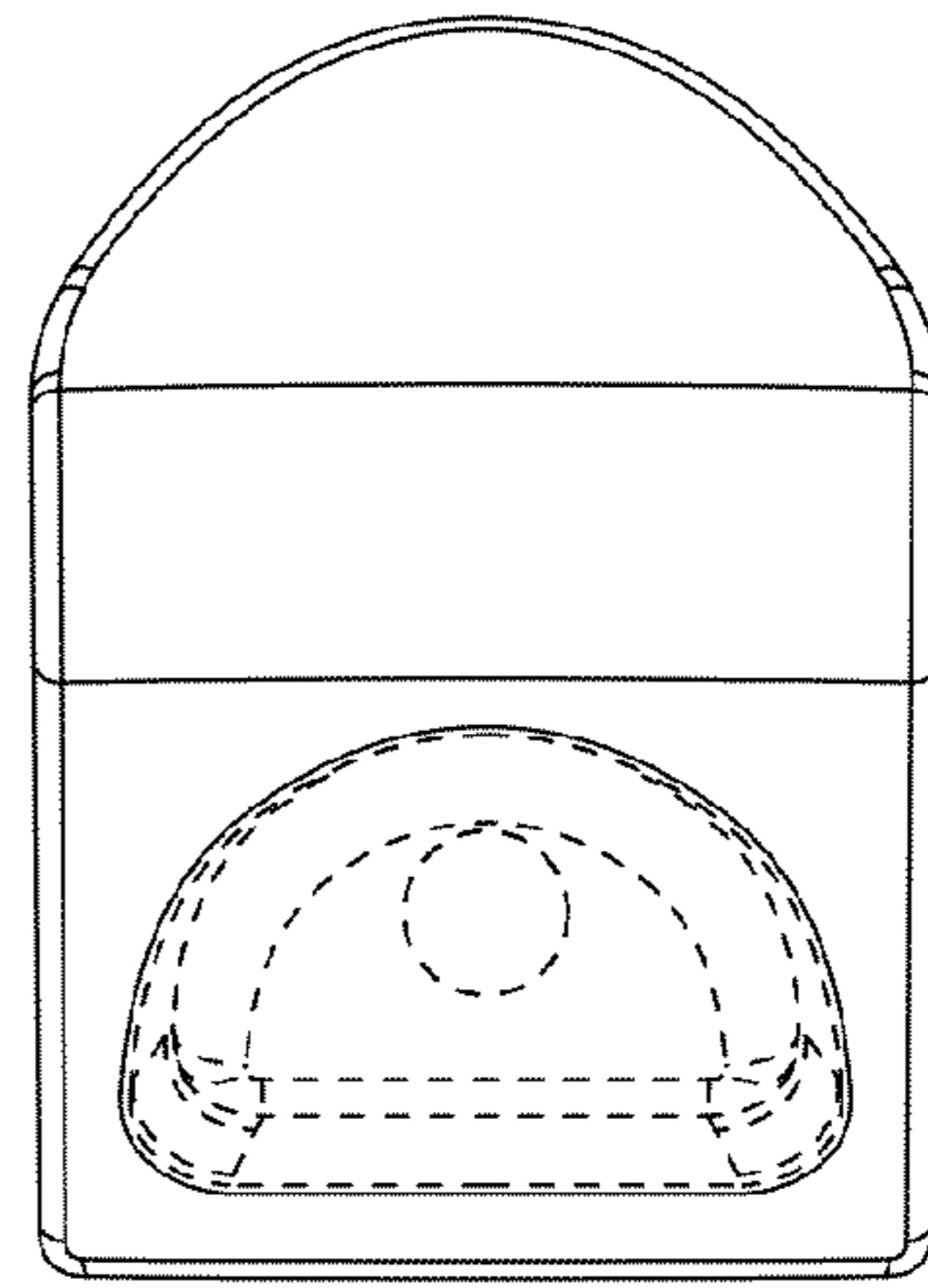


FIG. 8

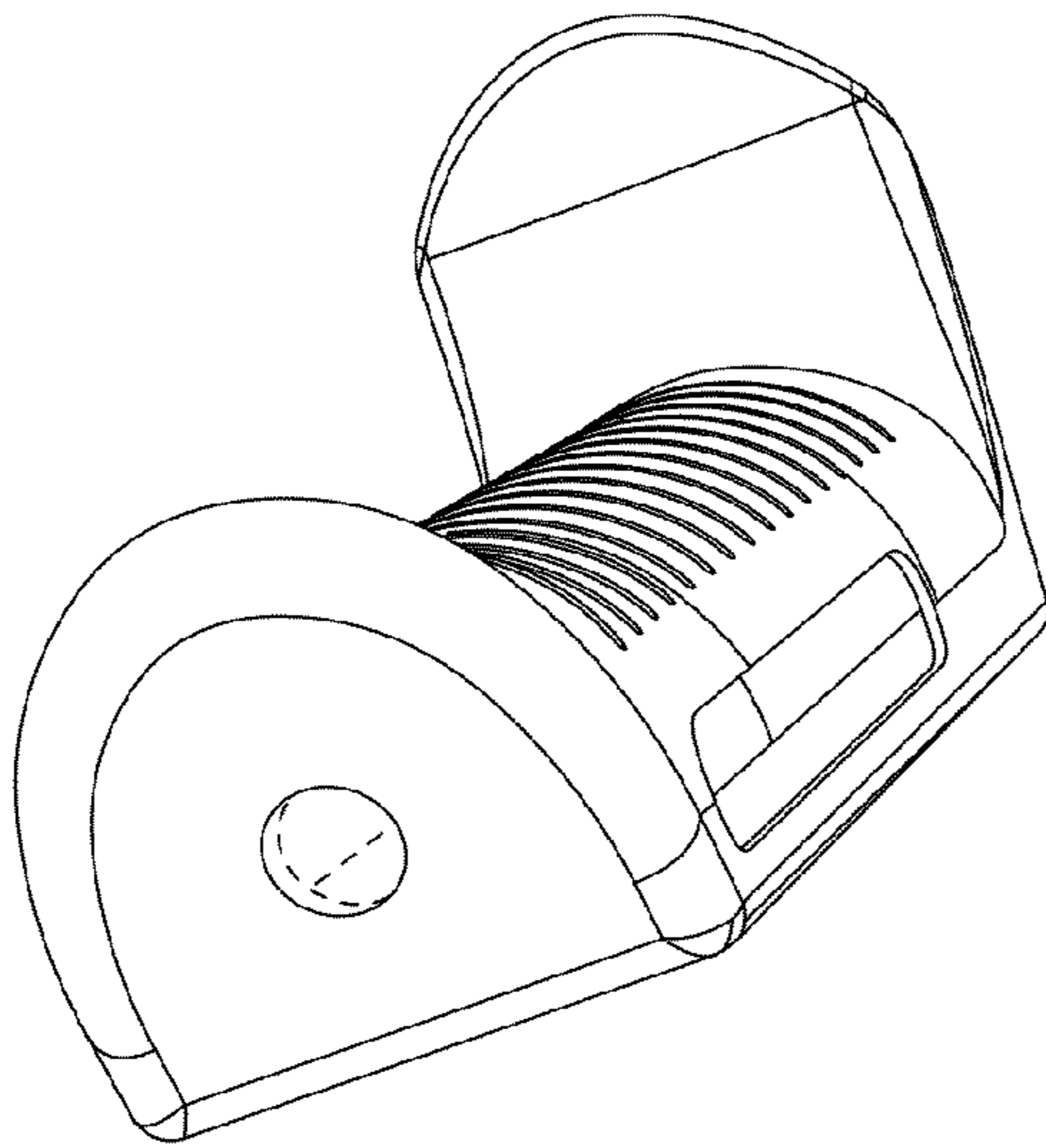


FIG. 9

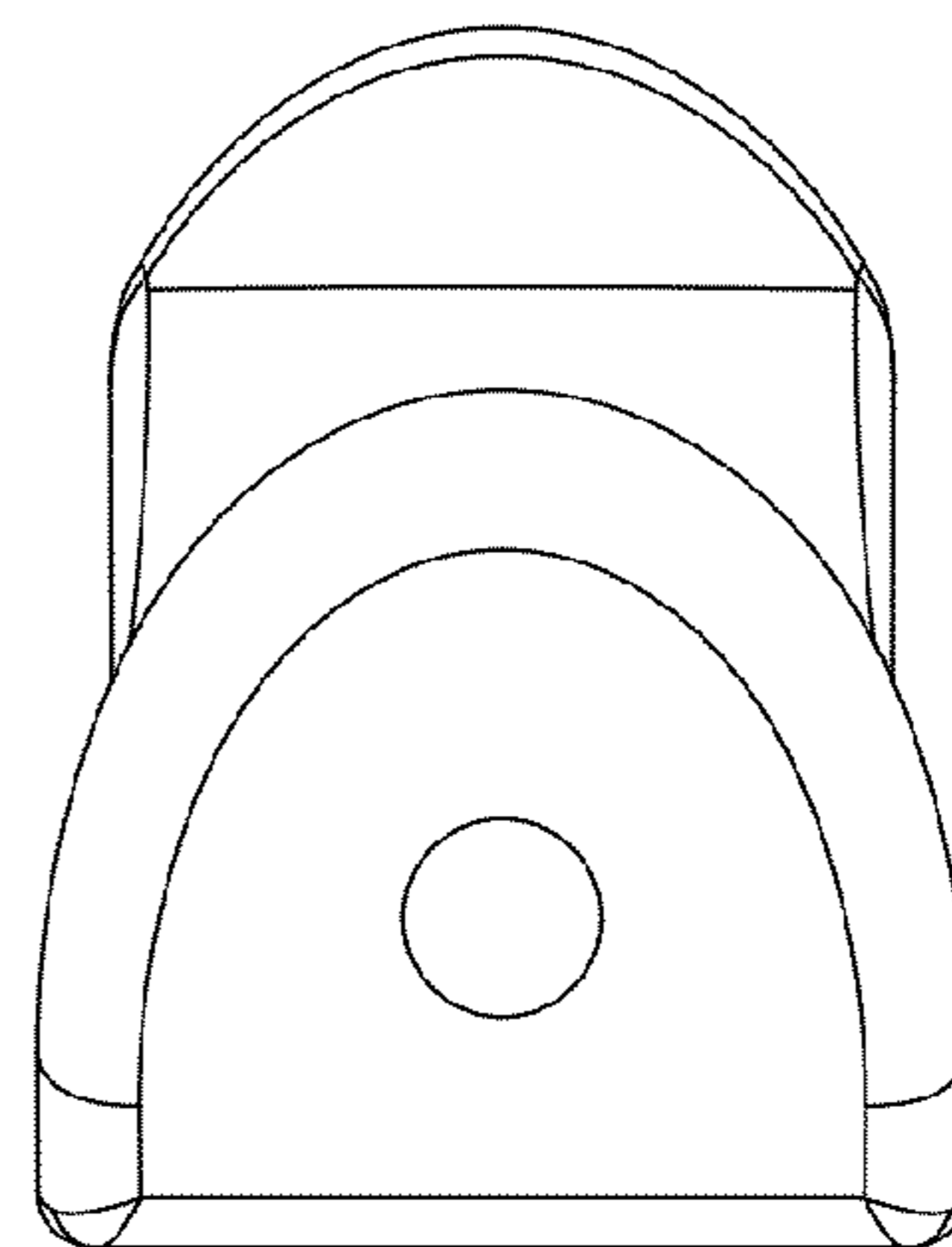


FIG. 10