



US00D719807S

(12) **United States Design Patent**  
**Robinson et al.**

(10) **Patent No.:** **US D719,807 S**

(45) **Date of Patent:** **\*\* Dec. 23, 2014**

(54) **CLAMP**

(71) Applicants: **Glenn Robinson**, Parkland, FL (US);  
**Michael Garcia**, Fort Lauderdale, FL (US)

(72) Inventors: **Glenn Robinson**, Parkland, FL (US);  
**Michael Garcia**, Fort Lauderdale, FL (US)

(73) Assignee: **IBT Holdings, LLC**, Deerfield Beach, FL (US)

(\*\*) Term: **14 Years**

(21) Appl. No.: **29/463,524**

(22) Filed: **Dec. 20, 2013**

(51) **LOC (10) Cl.** ..... **08-05**

(52) **U.S. Cl.**  
USPC ..... **D8/72**

(58) **Field of Classification Search**  
USPC ..... D8/71-74, 394-399, 59; 248/63, 72,  
248/74.1, 689, 124.2; 81/487, 385, 386,  
81/388-390; 269/3, 4, 6, 143, 165, 240,  
269/243, 246-249, 254 R, 147-149; 29/256,  
29/257, 276

See application file for complete search history.

(56) **References Cited**

**U.S. PATENT DOCUMENTS**

3,149,390 A \* 9/1964 McCoy ..... D8/72  
D350,892 S \* 9/1994 Sorensen ..... D8/72  
5,381,989 A \* 1/1995 Jackson ..... 248/231.51

D372,178 S \* 7/1996 Gossett et al. .... D8/52  
D399,729 S \* 10/1998 Chen ..... D8/395  
D442,047 S \* 5/2001 Hicks ..... D8/72  
D457,409 S \* 5/2002 Noniewicz ..... D8/72  
D481,921 S \* 11/2003 Ben-Gigi ..... D8/72  
D487,688 S \* 3/2004 Brass et al. .... D8/72  
D514,914 S \* 2/2006 Degen ..... D8/72  
D571,179 S \* 6/2008 Ahlgren ..... D8/72  
D594,726 S \* 6/2009 Arredondo ..... D8/72  
7,744,043 B2 \* 6/2010 Otinger ..... 248/75

\* cited by examiner

*Primary Examiner* — David Muller

(74) *Attorney, Agent, or Firm* — Dan DeLaRosa

(57) **CLAIM**

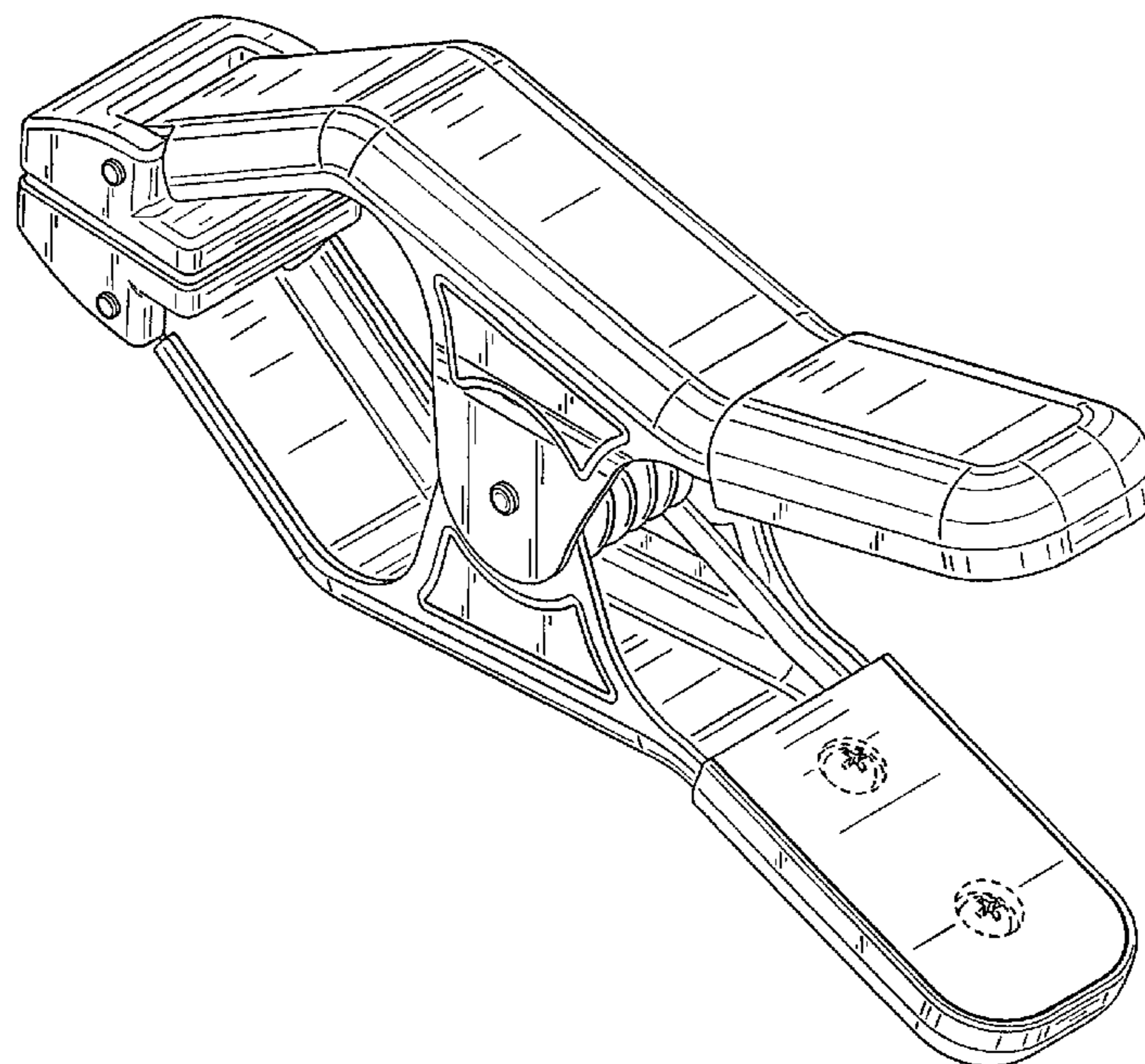
The ornamental design for a clamp, as shown and described.

**DESCRIPTION**

FIG. 1 is a front perspective view of the clamp of the present invention showing my new design;  
FIG. 2 is a front side elevation view thereof;  
FIG. 3 is a back side elevation view thereof;  
FIG. 4 is a side elevation view thereof;  
FIG. 5 is opposite side elevation view thereof;  
FIG. 6 is a top plan view thereof;  
FIG. 7 is a bottom plan view thereof;  
FIG. 8 is a front perspective view of the clamp in FIG. 1 with the jaws in an opened position; and,  
FIG. 9 is a rear perspective view of FIG. 1 with the jaws in an opened position.

The broken line showing of parts of the drawings is included for the purpose of illustrating use and environment and forms no part of the claimed design.

**1 Claim, 7 Drawing Sheets**



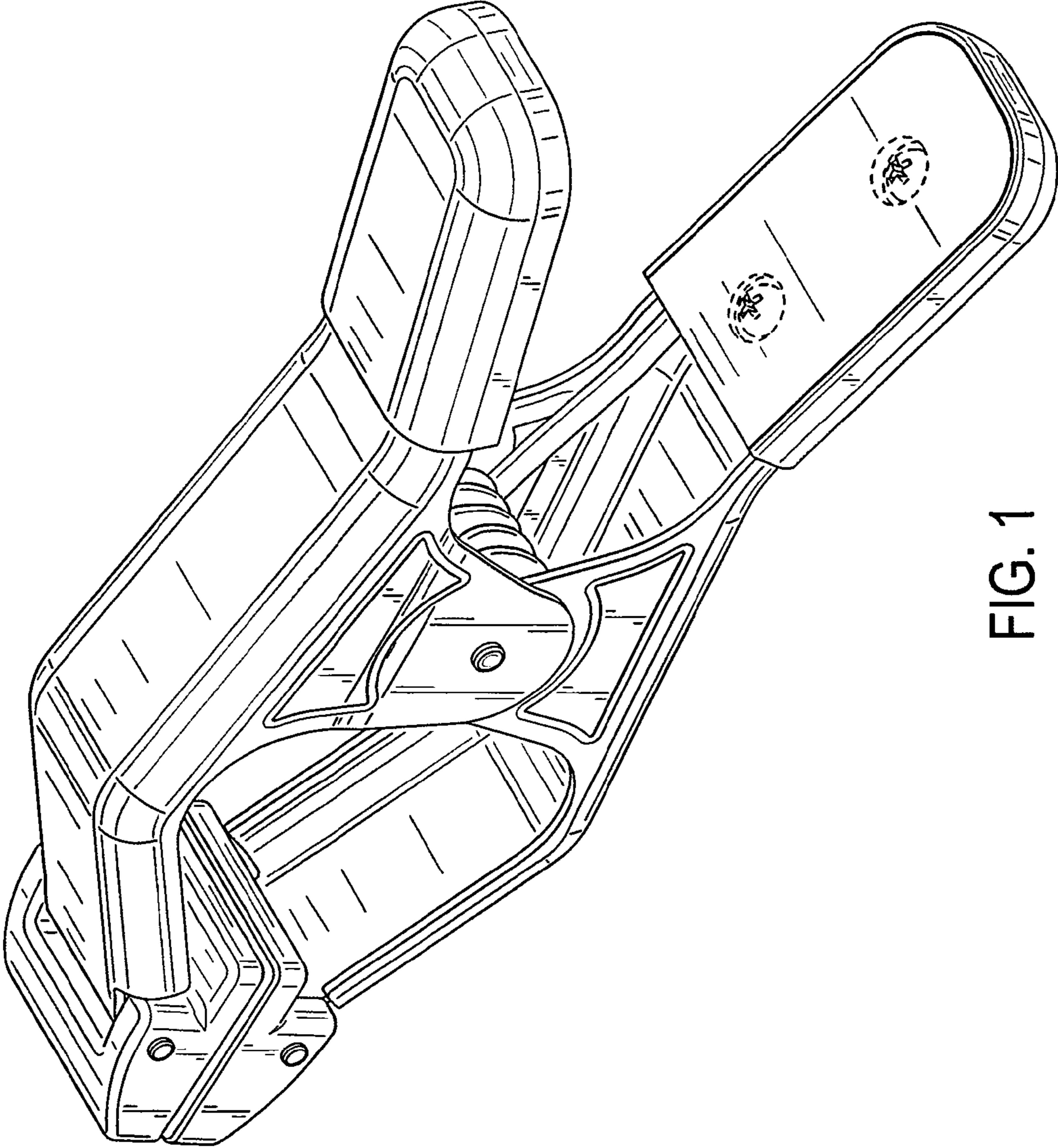


FIG. 1

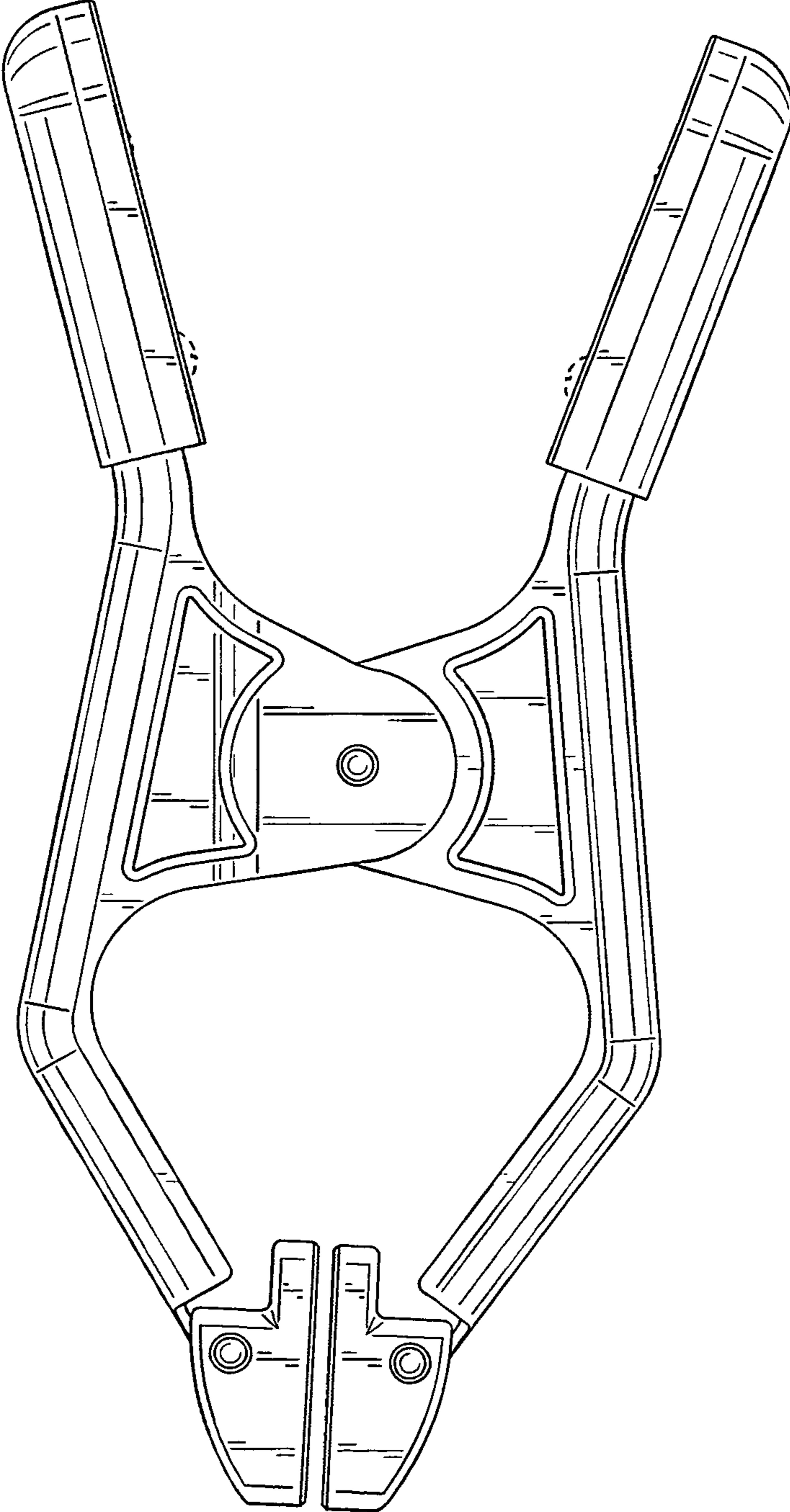


FIG. 2

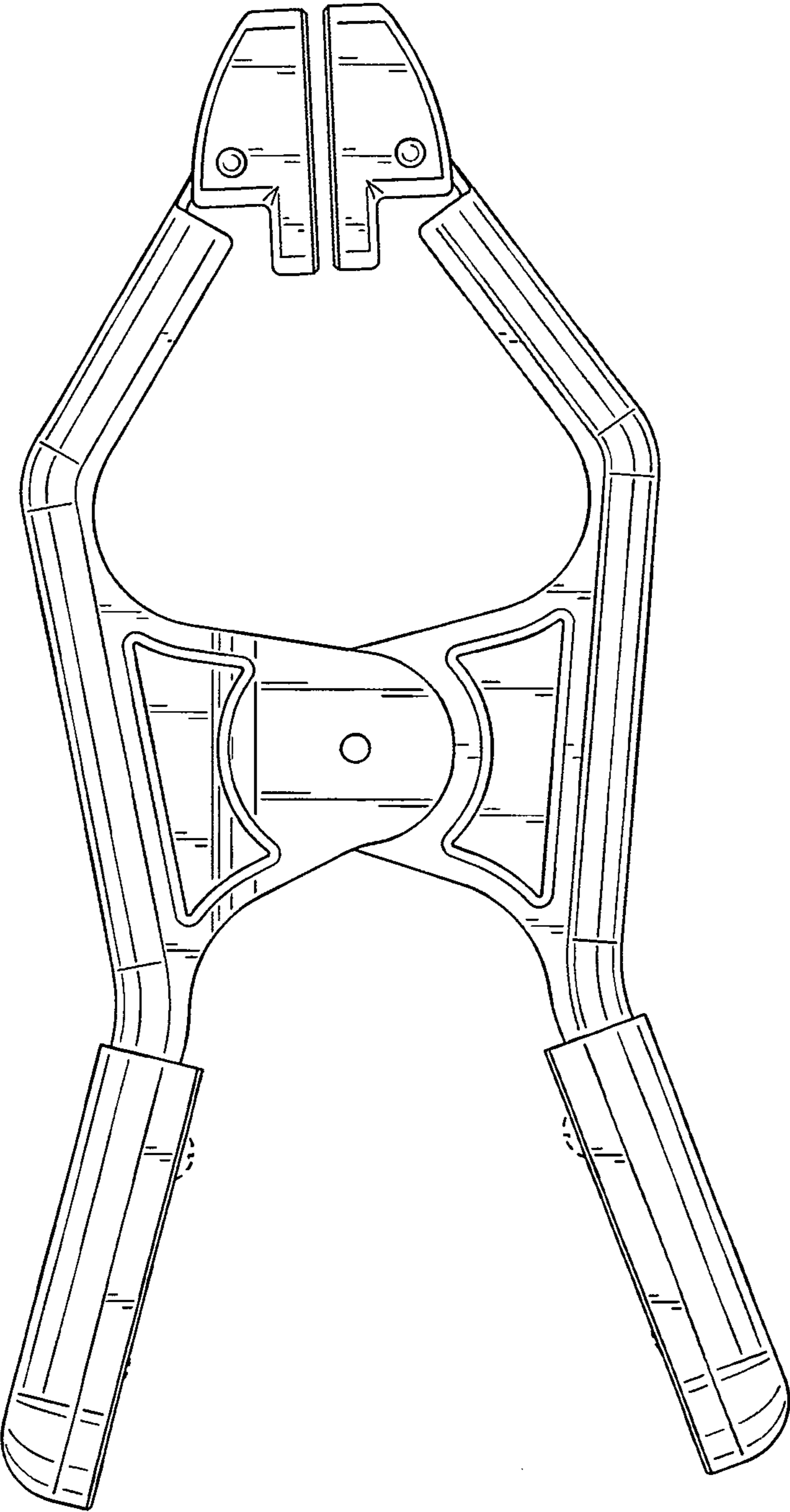


FIG. 3

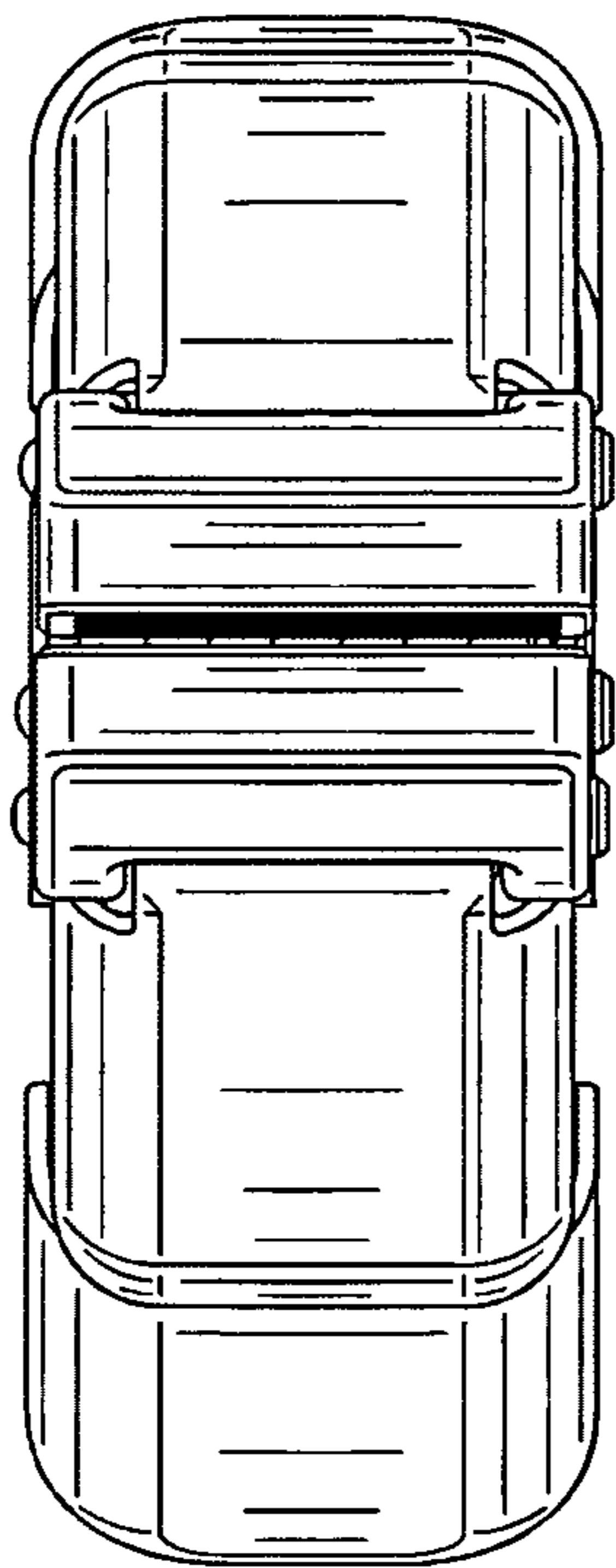


FIG. 4

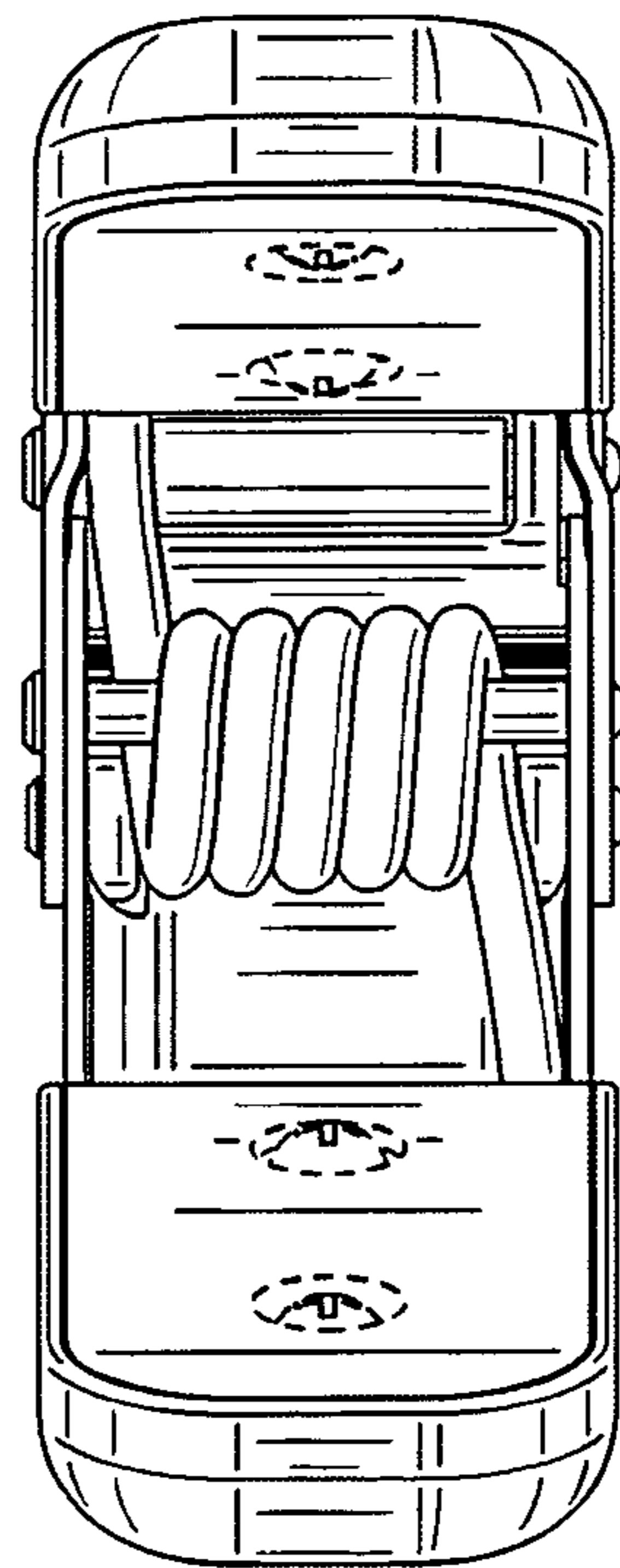


FIG. 5

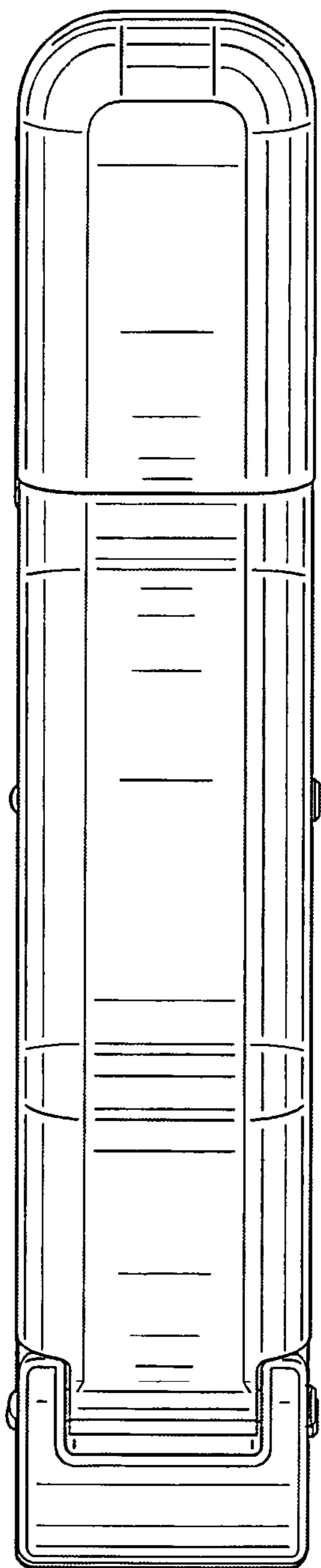


FIG. 6

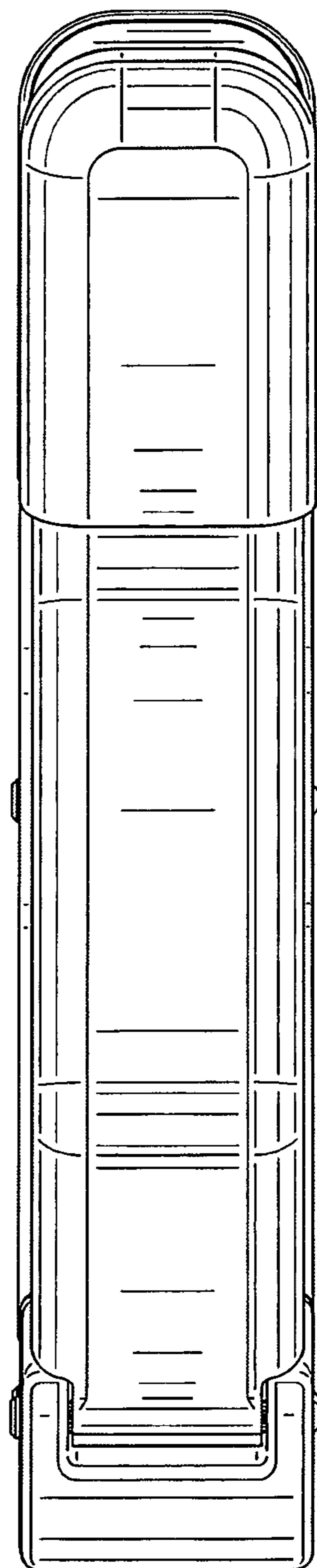


FIG. 7

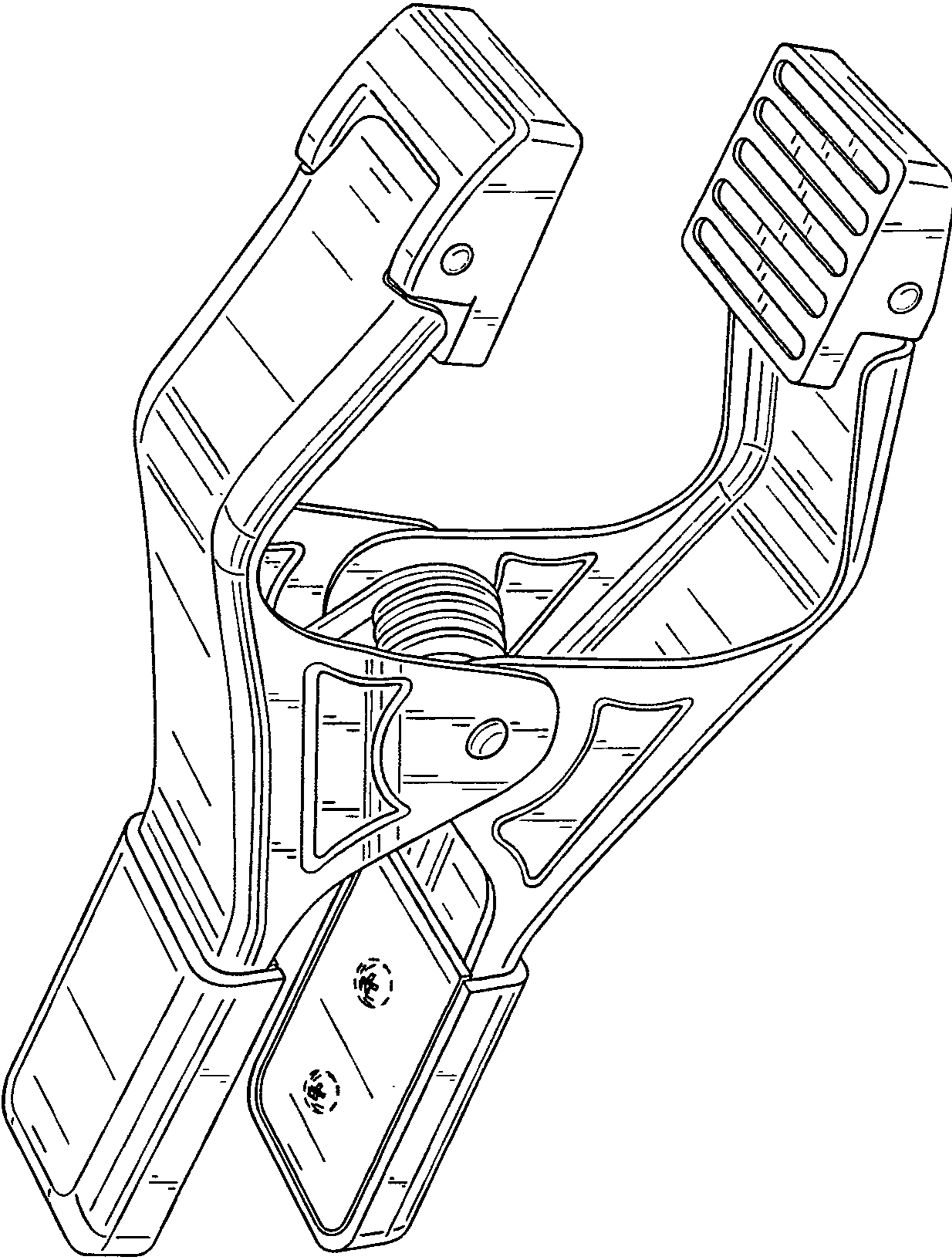


FIG. 8

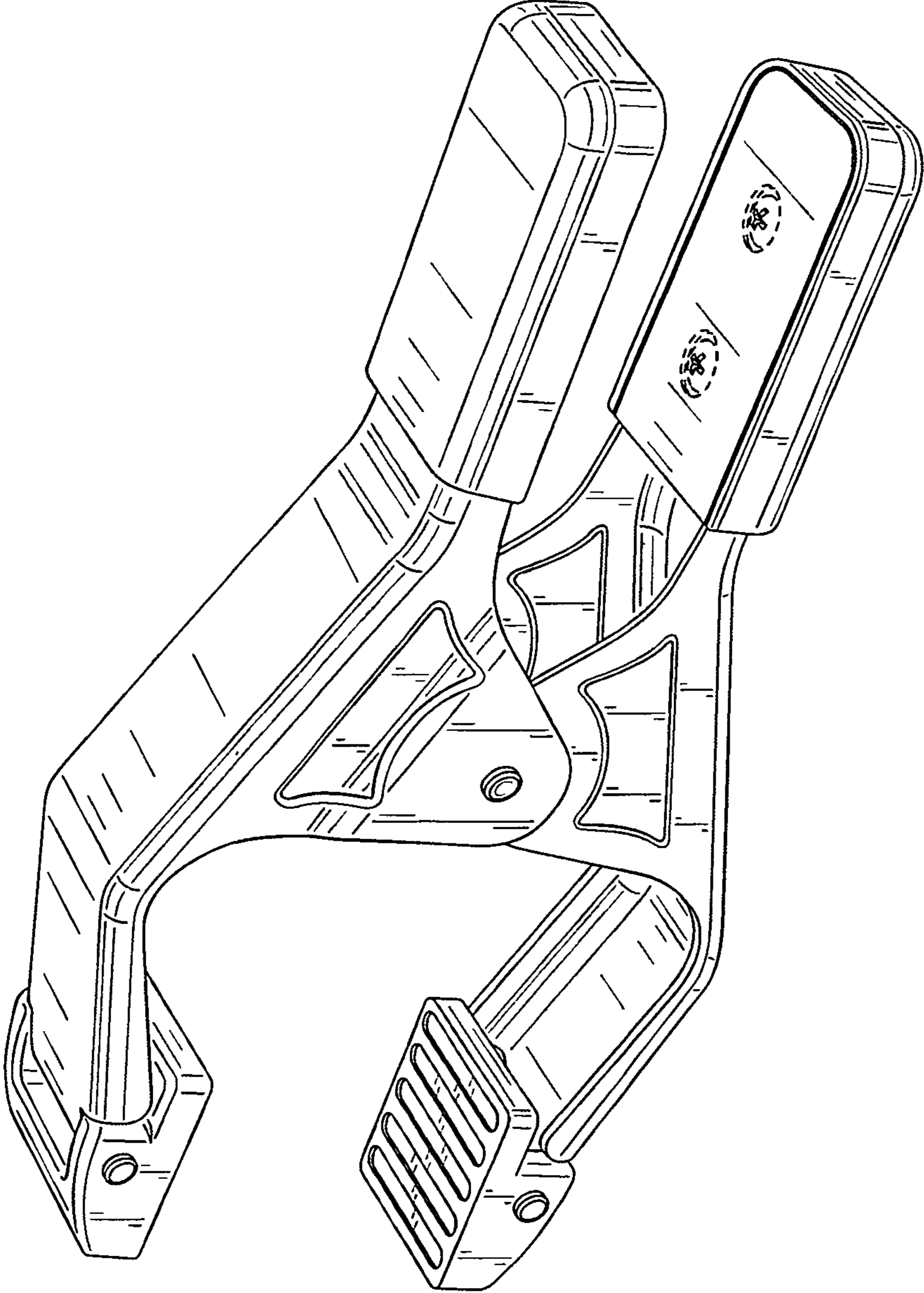


FIG. 9