



US00D719806S

(12) **United States Design Patent**
Wiedemann

(10) **Patent No.:** **US D719,806 S**
(45) **Date of Patent:** **** Dec. 23, 2014**

(54) **HAMMER DRILL ACCESSORY**

(71) Applicant: **Robert Bosch GmbH**, Stuttgart (DE)

(72) Inventor: **Christian Wiedemann**, Wiernsheim (DE)

(73) Assignee: **Robert Bosch GmbH**, Stuttgart (DE)

(**) Term: **14 Years**

(21) Appl. No.: **29/477,853**

(22) Filed: **Dec. 27, 2013**

(30) **Foreign Application Priority Data**

Jun. 27, 2013 (EM) 002264036

(51) **LOC (10) Cl.** **08-04**

(52) **U.S. Cl.**
USPC **D8/70**

(58) **Field of Classification Search**

USPC D8/14.1, 61-70; 81/429, 454-456, 469, 81/489; 173/104, 114, 168-171, 178, 201, 173/211, 213, 217; 408/20, 124, 125, 234; 388/809

See application file for complete search history.

(56) **References Cited**

U.S. PATENT DOCUMENTS

4,281,457	A *	8/1981	Walton, II	30/124
4,361,957	A *	12/1982	Krotz et al.	30/124
5,129,467	A *	7/1992	Watanabe et al.	173/75
D392,531	S *	3/1998	Richardson	D8/70
6,615,930	B2 *	9/2003	Bongers-Ambrosius et al.	173/198
6,802,766	B2 *	10/2004	Liu	451/451
6,857,191	B2 *	2/2005	Whited	30/124
D513,161	S *	12/2005	Chilton	D8/70
D593,389	S *	6/2009	Clayton	D8/70
D677,545	S *	3/2013	Sell	D8/70

D677,547	S *	3/2013	Rosenau et al.	D8/70
D678,028	S *	3/2013	Rosenau et al.	D8/70
2013/0213683	A1 *	8/2013	Brewster et al.	173/198

OTHER PUBLICATIONS

“HDC300: Sds-max / Spline Chiseling Dust Collection Attachment.” Bosch Tools., Apr. 7, 2014 [online], [retrieved on May 18, 2014]. Retrieved from the Internet <URL: <http://www.boschtools.com/Products/Tools/Pages/BoschProductDetail.aspx?pid=HDC300>>.*

* cited by examiner

Primary Examiner — Philip S. Hyder

Assistant Examiner — Darlington Ly

(74) *Attorney, Agent, or Firm* — Maginot, Moore & Beck LLP

(57) **CLAIM**

The ornamental design for a hammer drill accessory, as shown and described.

DESCRIPTION

FIG. 1 is a perspective view of a hammer drill accessory showing my new design;

FIG. 2 is a right side elevational view showing the design for the hammer drill accessory of FIG. 1;

FIG. 3 is a left side elevational view showing the design for the hammer drill accessory of FIG. 1;

FIG. 4 is a top plan view showing the design for the hammer drill accessory of FIG. 1;

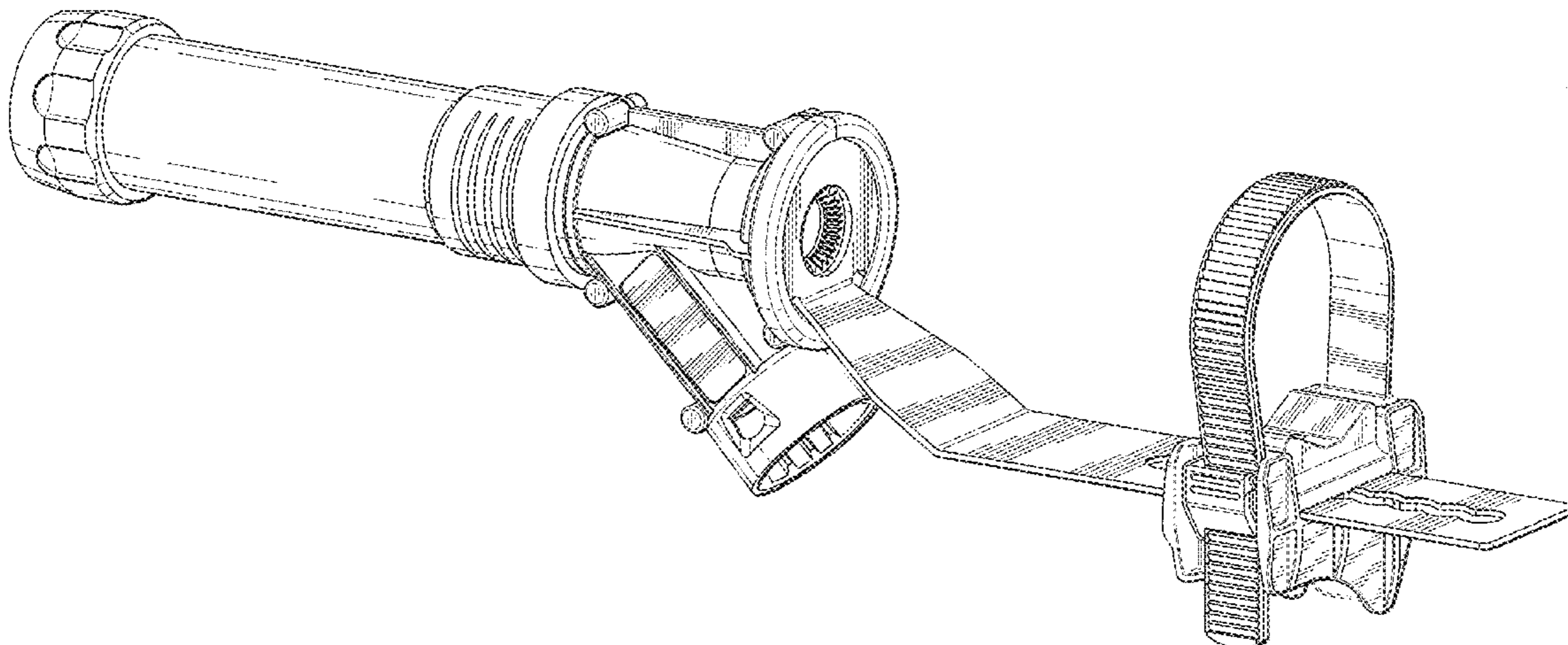
FIG. 5 is a bottom plan view showing the design for the hammer drill accessory of FIG. 1;

FIG. 6 is a front elevational view showing the design for the hammer drill accessory of FIG. 1; and,

FIG. 7 is a rear elevational view showing the design for the hammer drill accessory of FIG. 1.

The broken lines shown in the drawings illustrate portions of the hammer drill accessory that forms no part of claimed design.

1 Claim, 7 Drawing Sheets



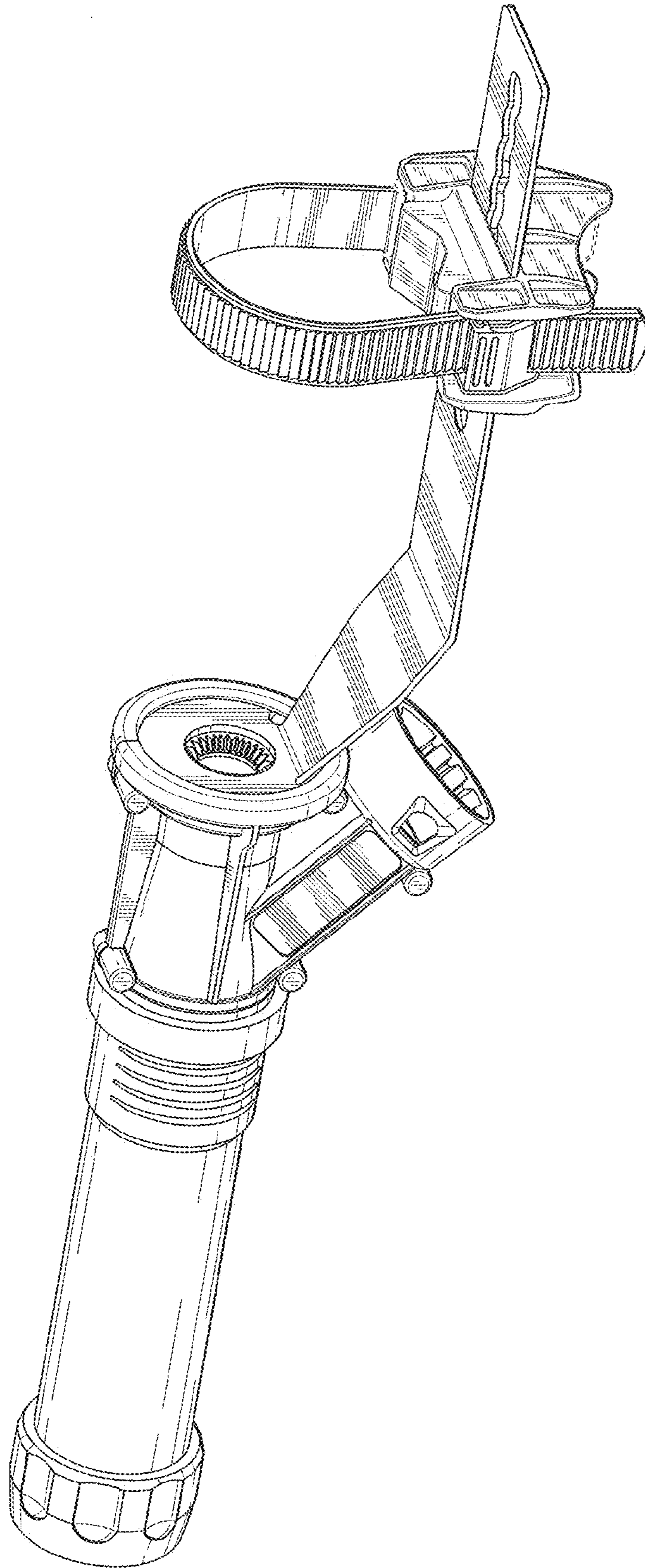


Fig. 1

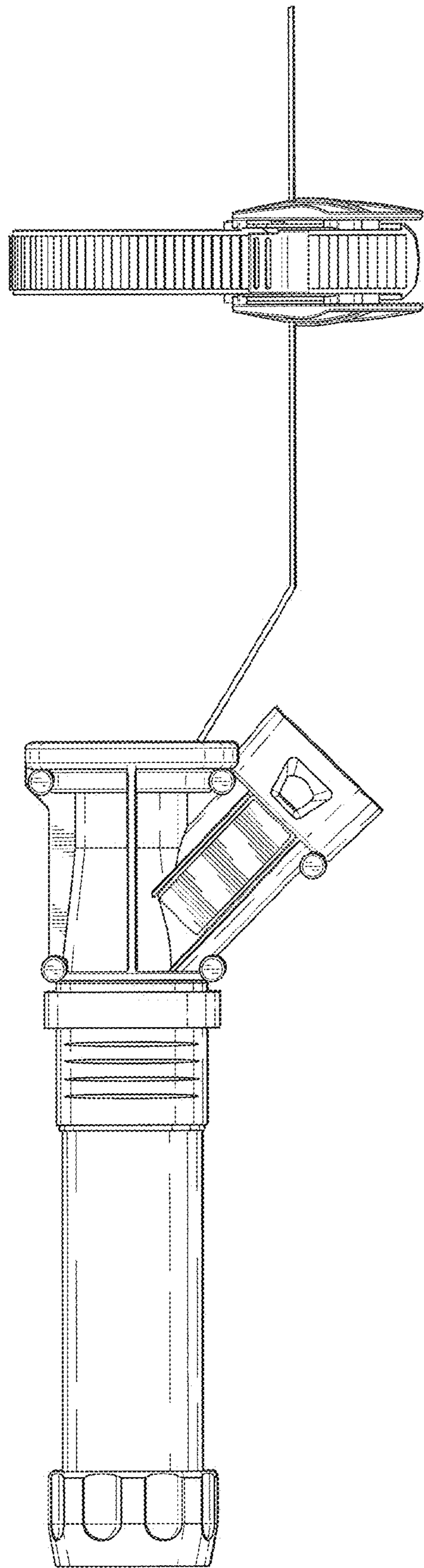


Fig. 2

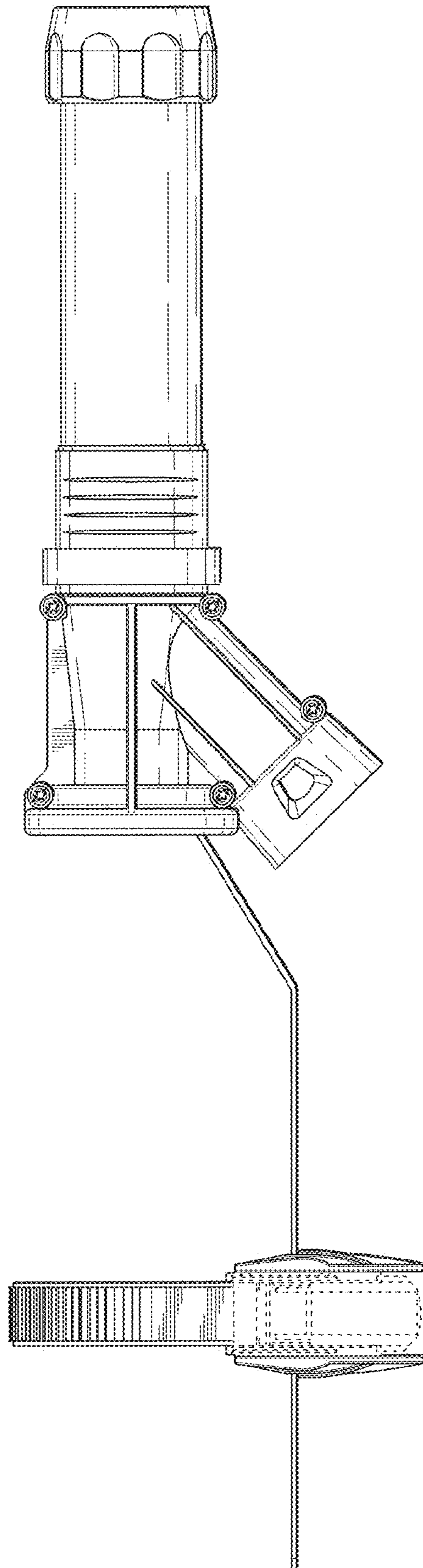


Fig. 3

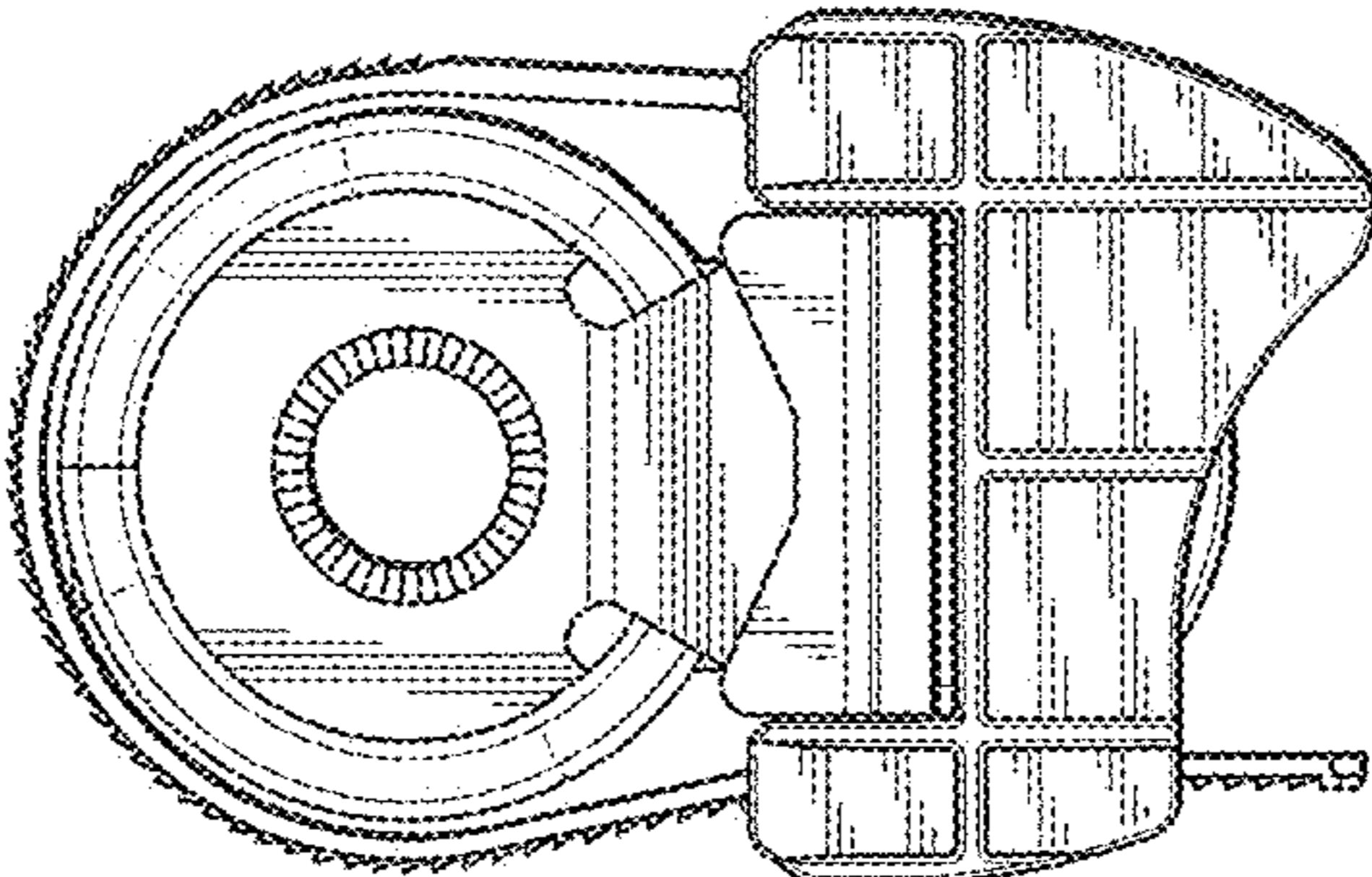


Fig. 4

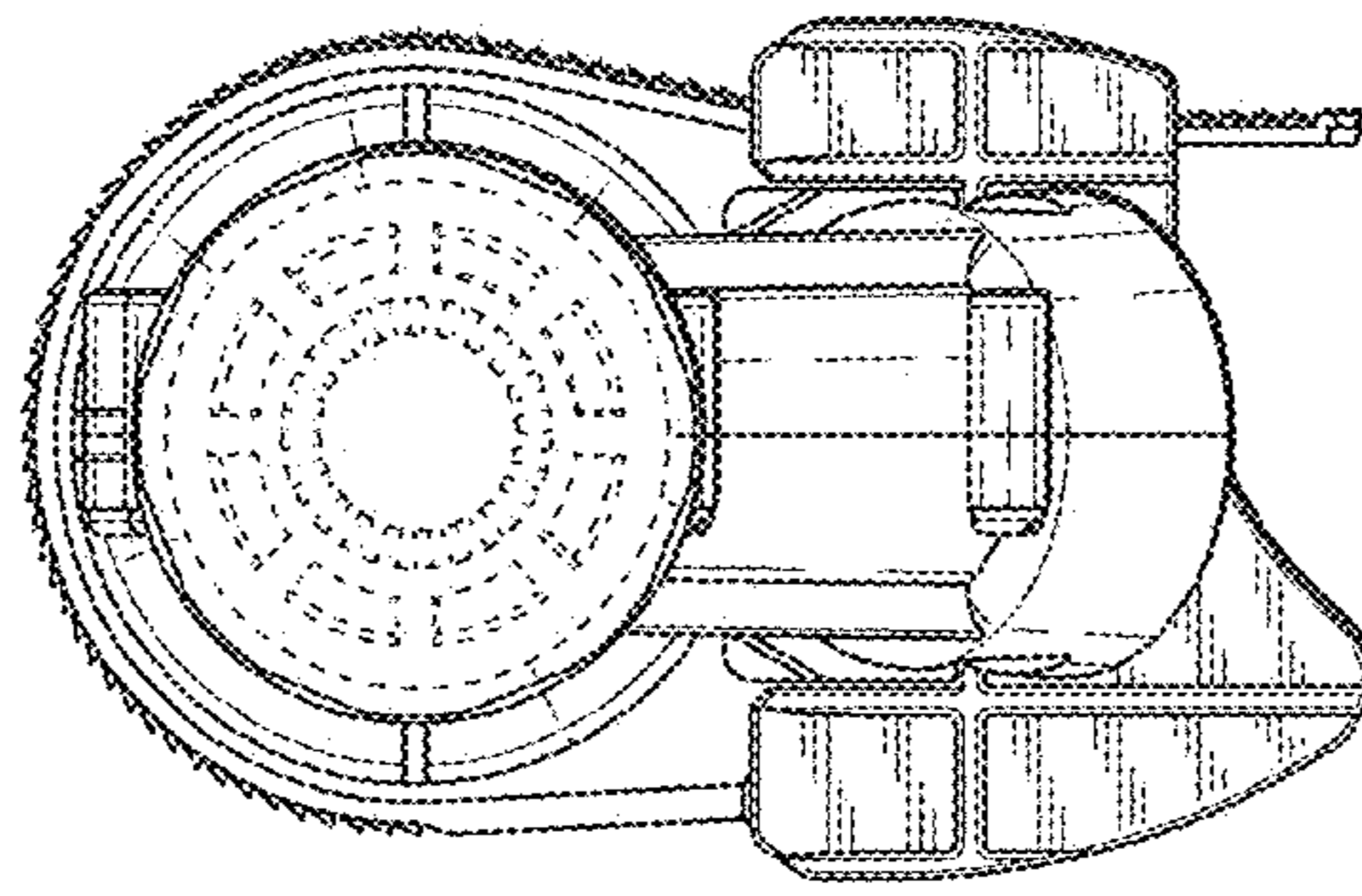


Fig. 5

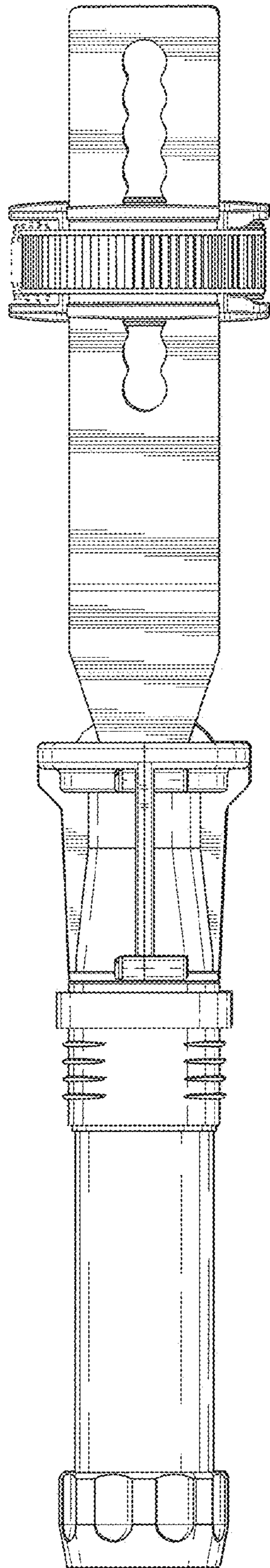


Fig. 6

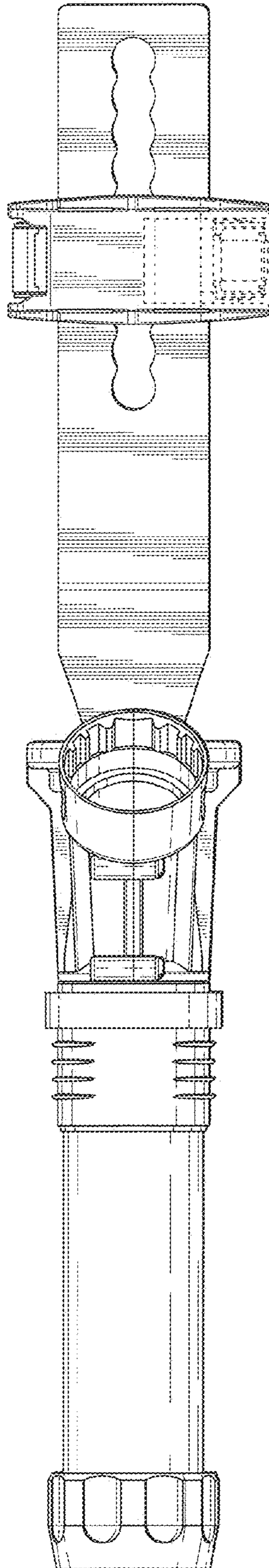


Fig. 7