



US00D719802S

(12) **United States Design Patent**
Lai

(10) **Patent No.:** **US D719,802 S**

(45) **Date of Patent:** **** Dec. 23, 2014**

(54) **RETRACTABLE POSITIONING DEVICE FOR
A RACHET WRENCH**

(71) Applicant: **Shih-Hao Lai**, Taichung (TW)

(72) Inventor: **Shih-Hao Lai**, Taichung (TW)

(**) Term: **14 Years**

(21) Appl. No.: **29/486,596**

(22) Filed: **Apr. 1, 2014**

(51) **LOC (10) Cl.** **08-05**

(52) **U.S. Cl.**
USPC **D8/25**

(58) **Field of Classification Search**
USPC D8/21-29; 81/58.3-59.16, 177.1,
81/177.85, 121.1, 124.3, 165-170, 110.1,
81/176.2, 124.6, 176.1, 176.15, 177.2;
16/110.1; D15/144.1; 219/75, 227,
219/229, 121.16, 121.18
See application file for complete search history.

(56) **References Cited**

U.S. PATENT DOCUMENTS

4,406,183 A * 9/1983 Wix 81/57.29
6,408,721 B1 * 6/2002 Lee 81/60

6,959,629 B2 * 11/2005 Hsien 81/177.2
7,677,140 B2 * 3/2010 Hull et al. 81/177.2
7,878,094 B2 * 2/2011 Lin 81/177.2
8,245,606 B2 * 8/2012 Chiang 81/483
2005/0034573 A1 * 2/2005 Hsien 81/177.2

* cited by examiner

Primary Examiner — Randall Gholson

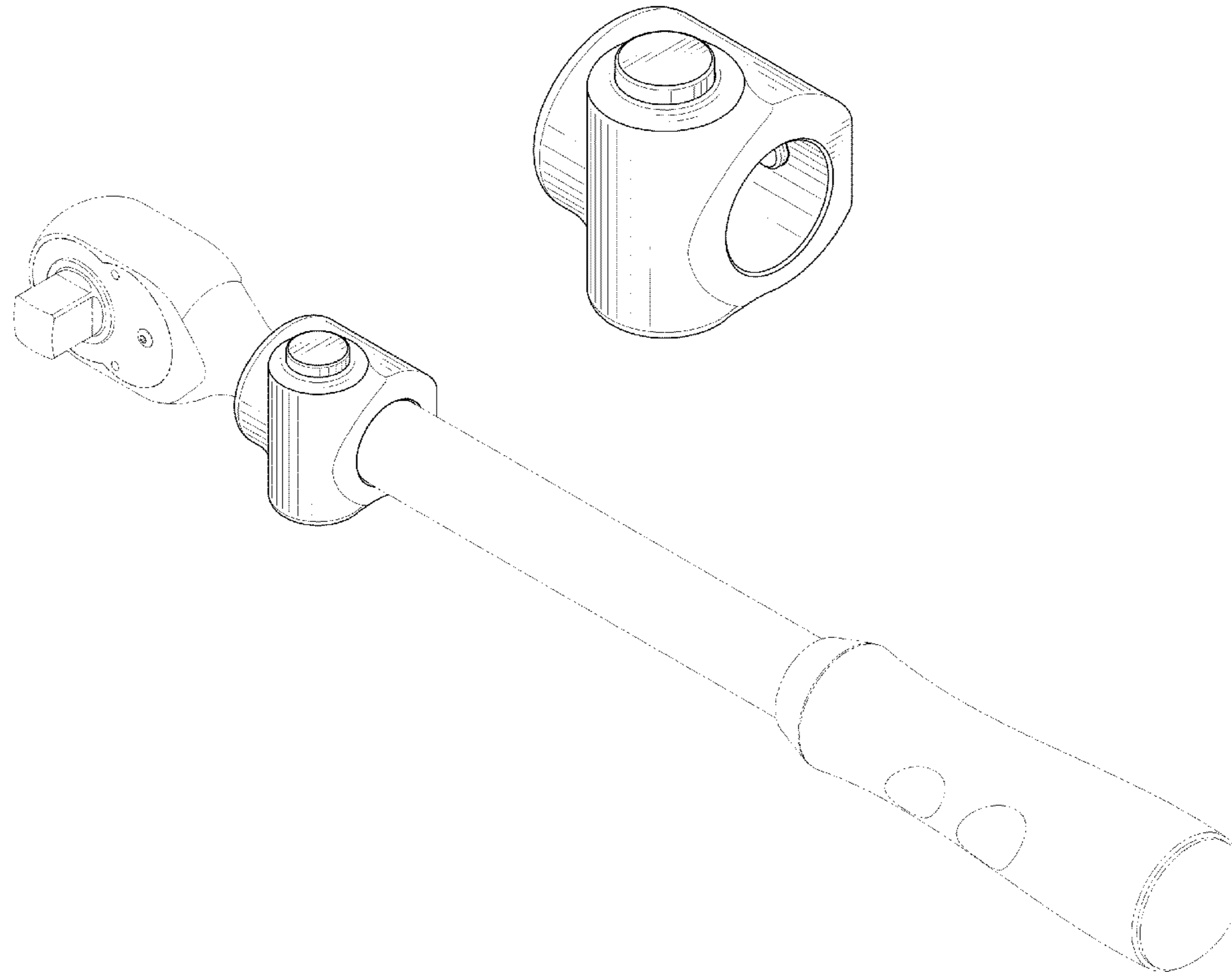
(57) **CLAIM**

The ornamental design for a retractable positioning device for a ratchet wrench, as shown.

DESCRIPTION

FIG. 1 is a perspective view of a retractable positioning device for a ratchet wrench showing my new design;
FIG. 2 is a front elevational view thereof;
FIG. 3 is a rear elevational view thereof;
FIG. 4 is a left side view thereof;
FIG. 5 is a right side view thereof;
FIG. 6 is a top plain view thereof;
FIG. 7 is a bottom plain view thereof; and,
FIG. 8 is a reference view thereof shown in an environmental use.

1 Claim, 5 Drawing Sheets



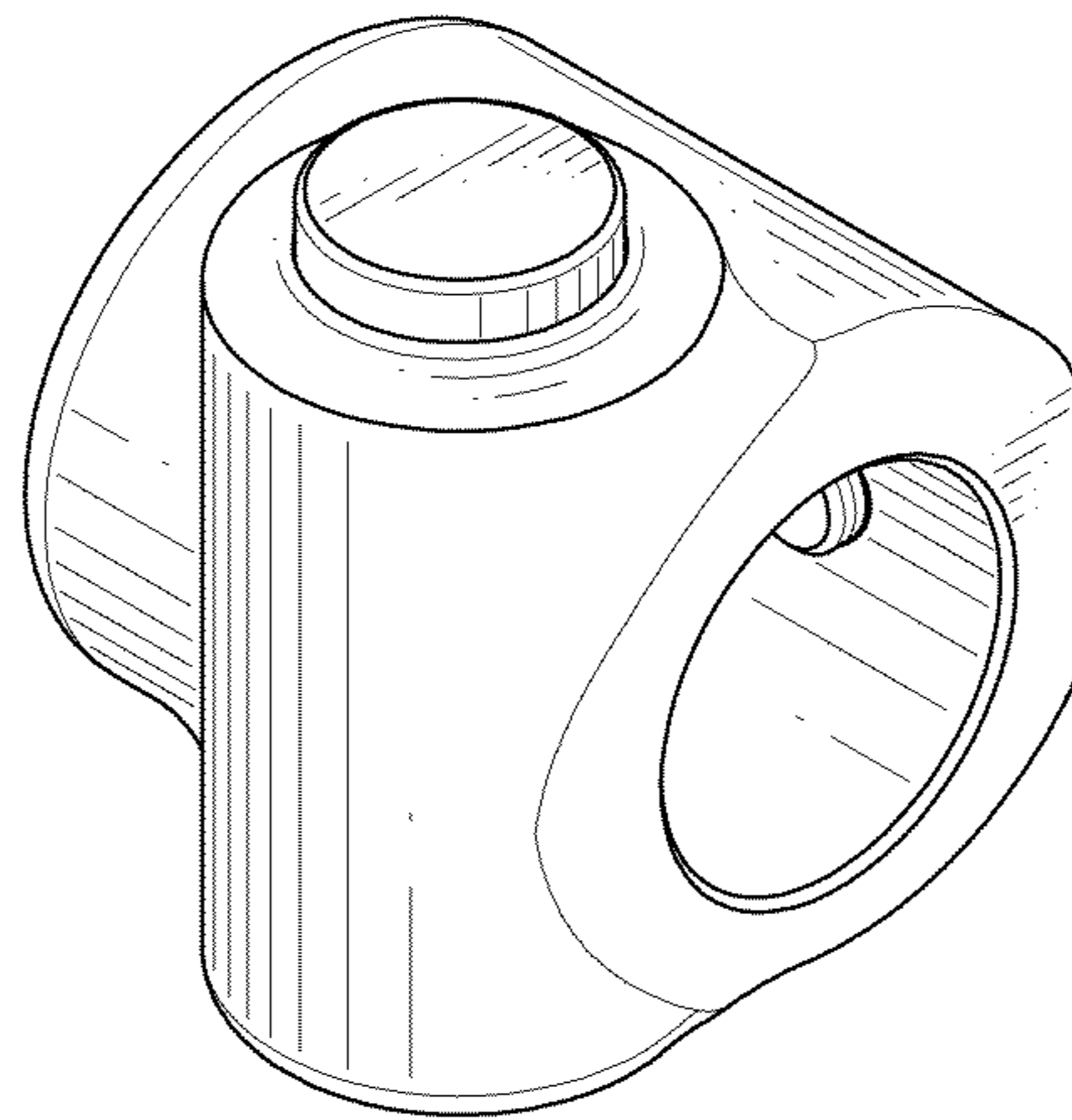


FIG. 1

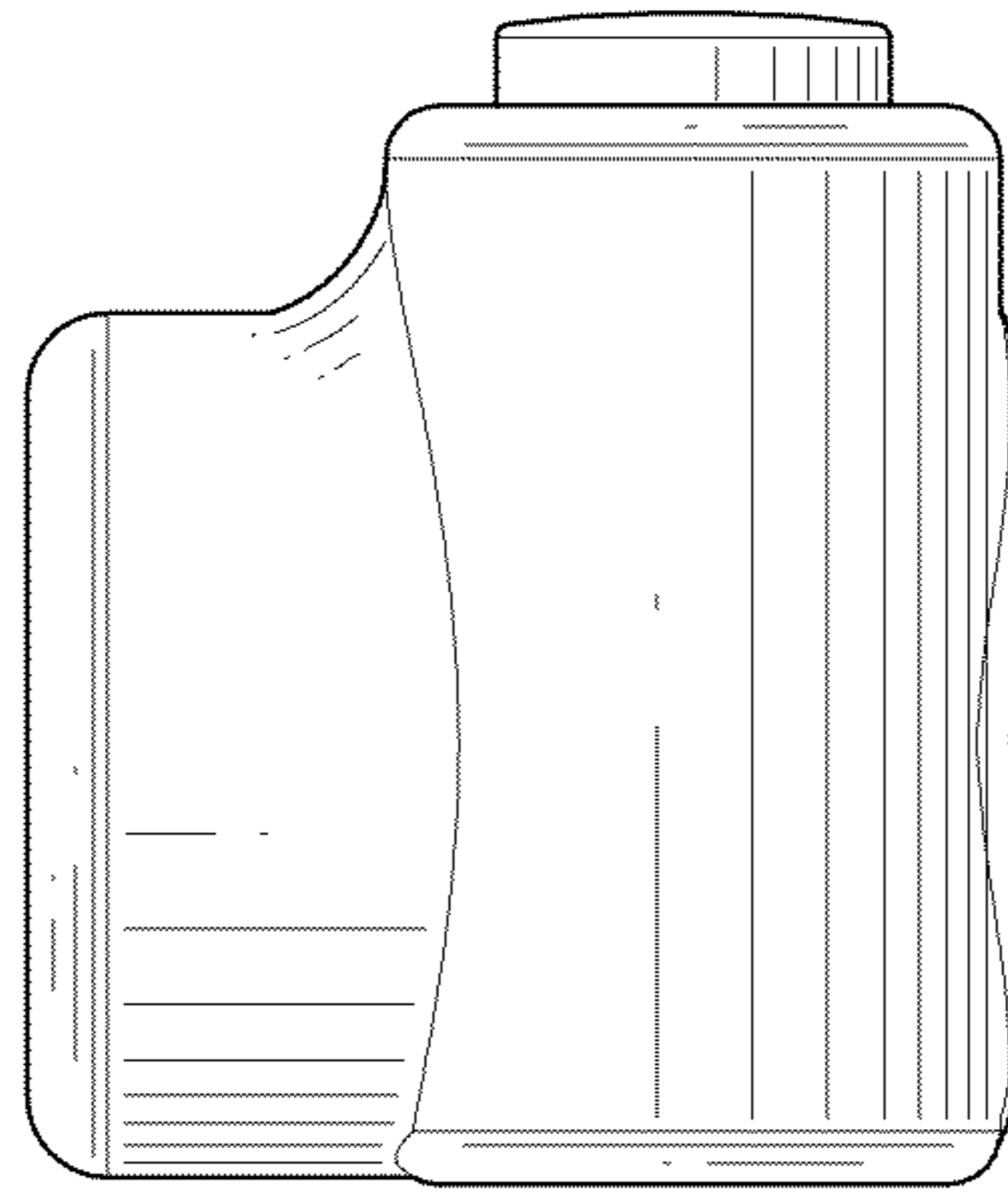


FIG. 2

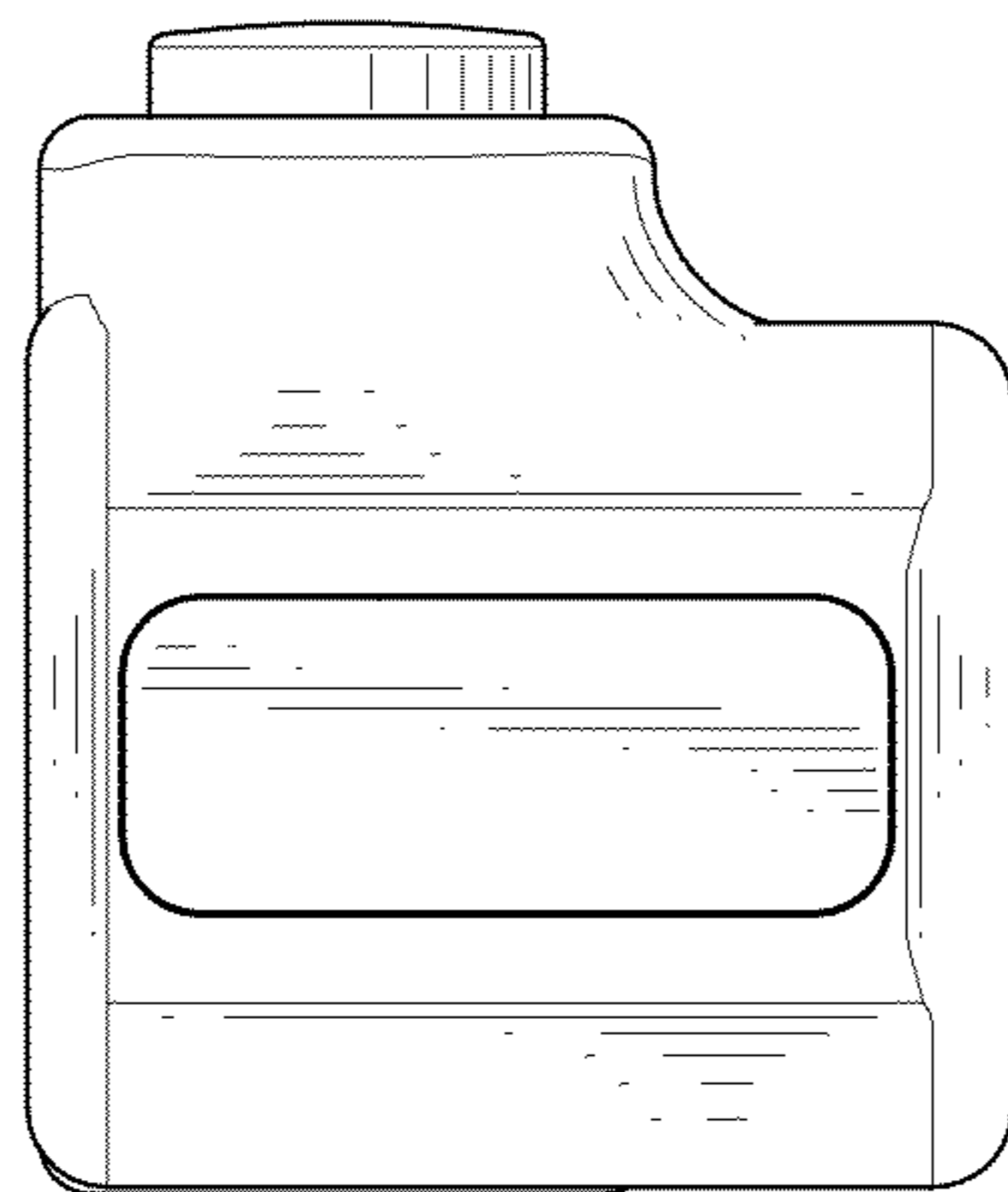


FIG. 3

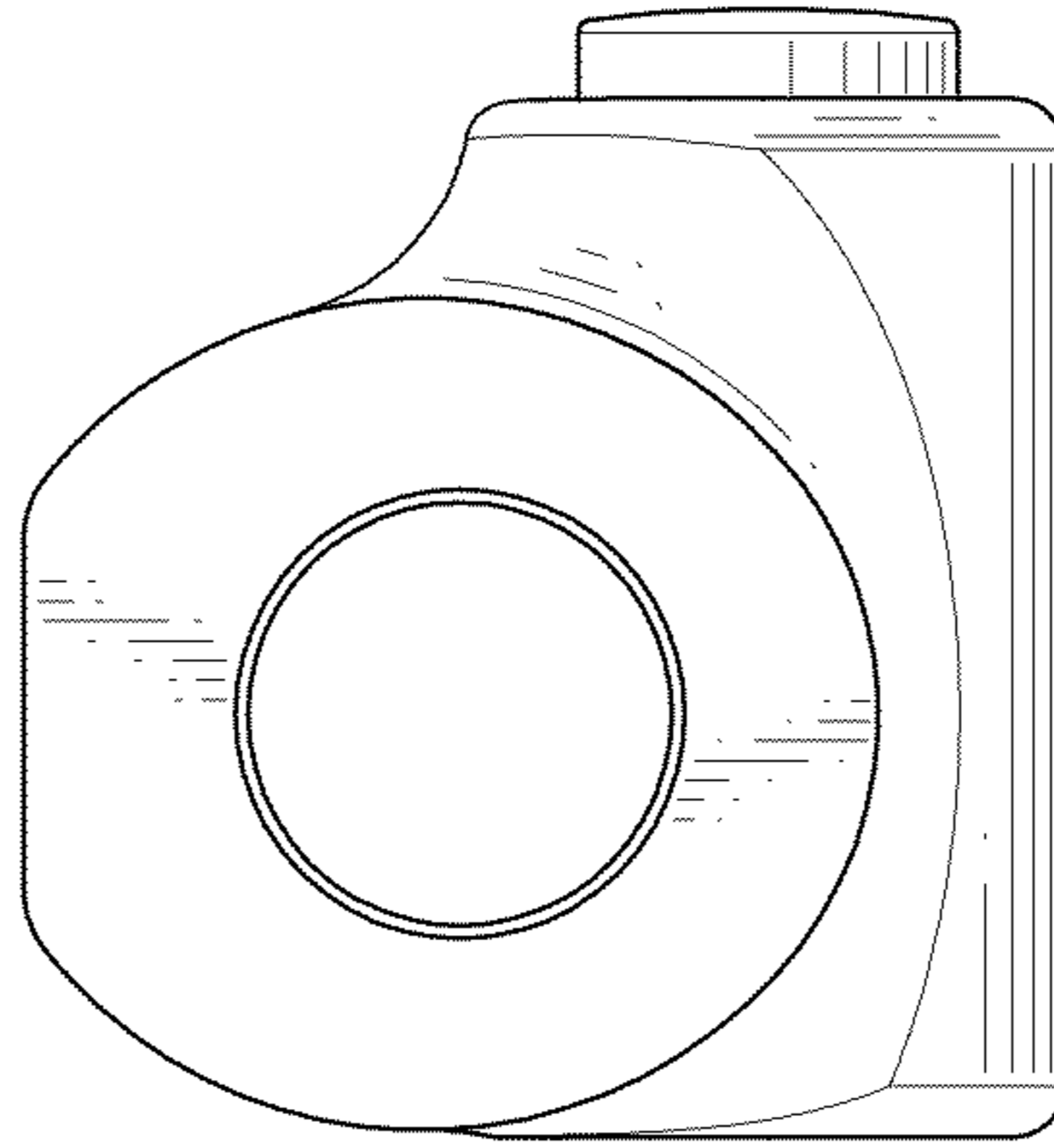


FIG. 4

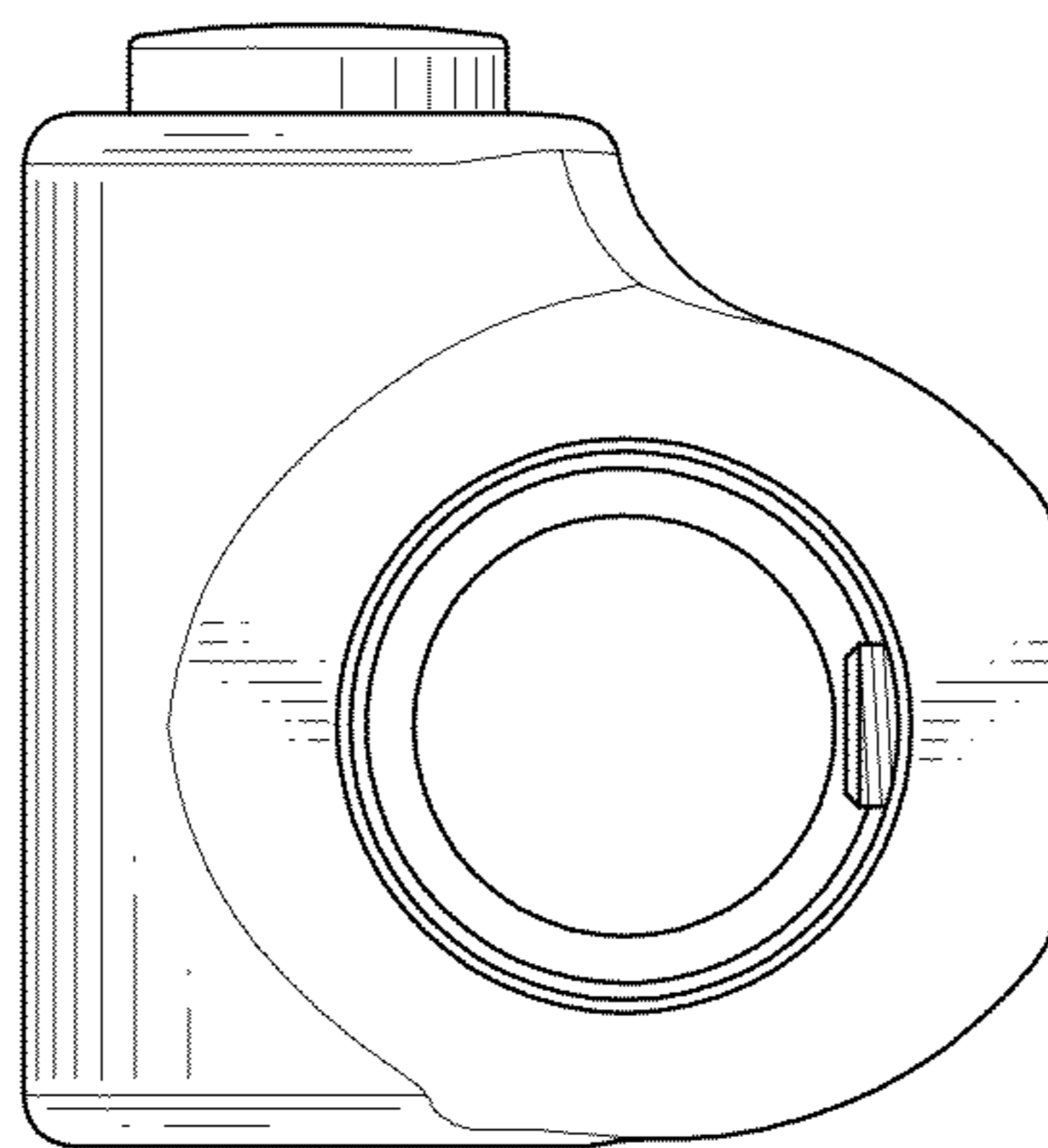


FIG. 5

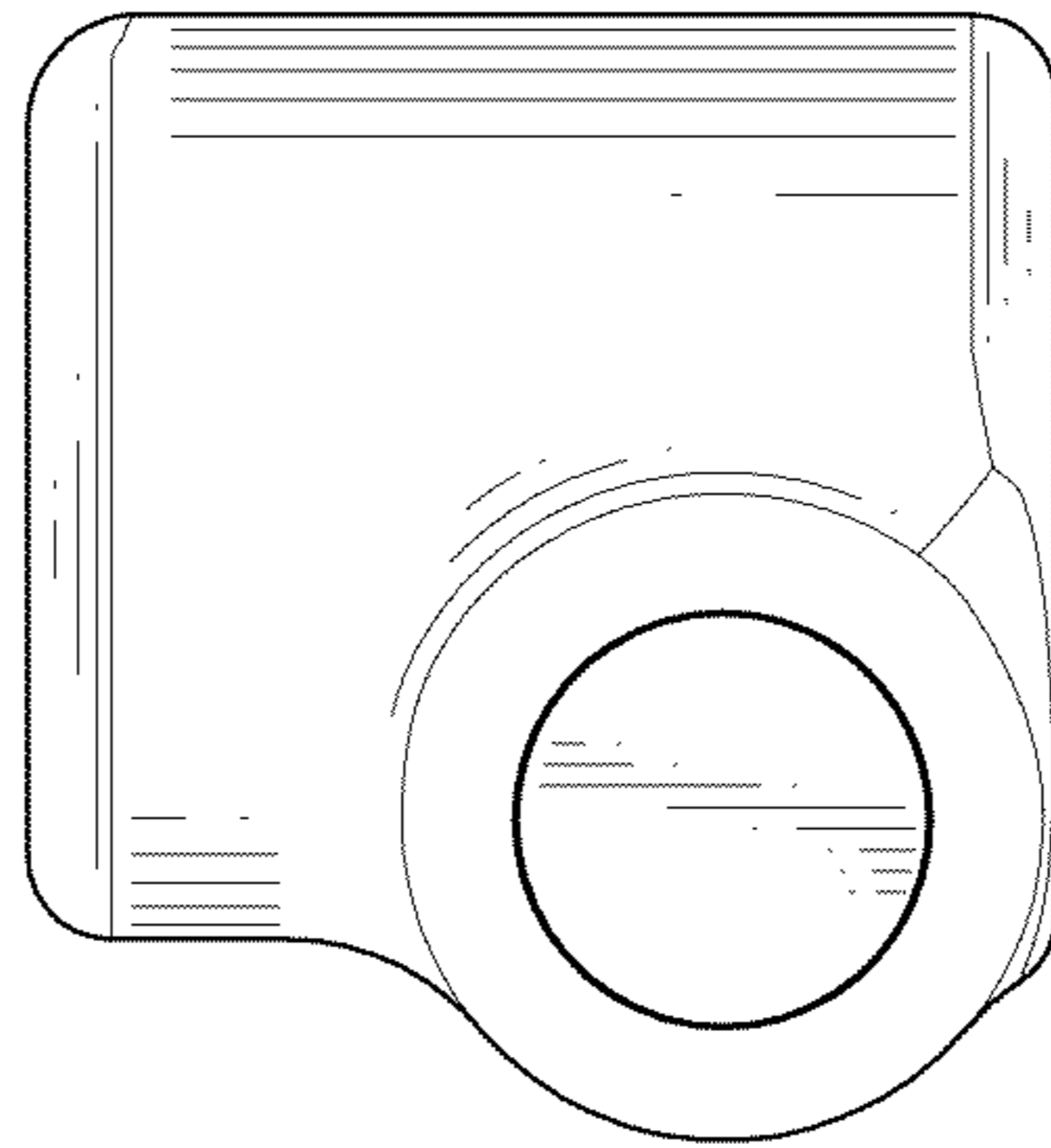


FIG. 6

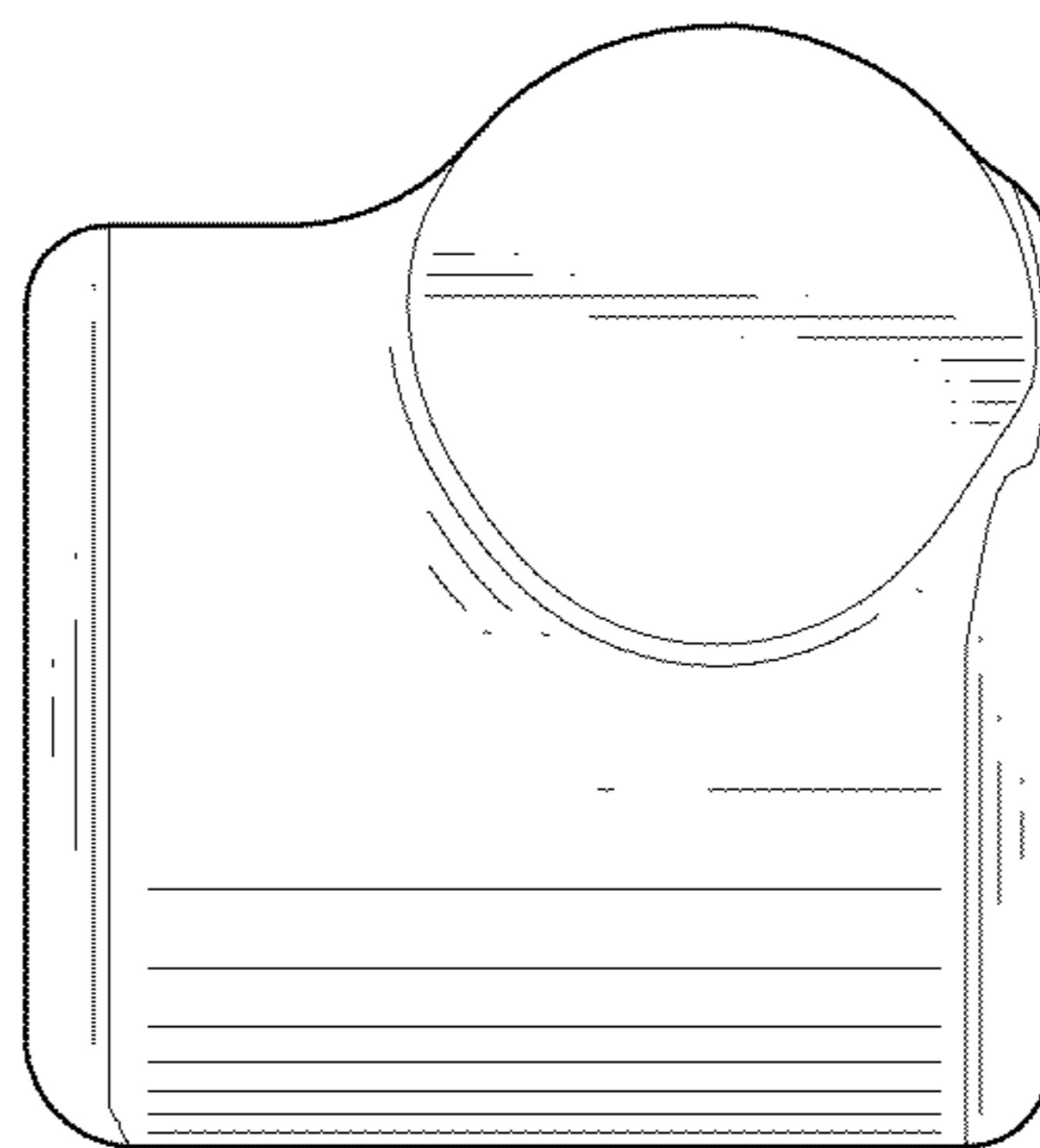


FIG. 7

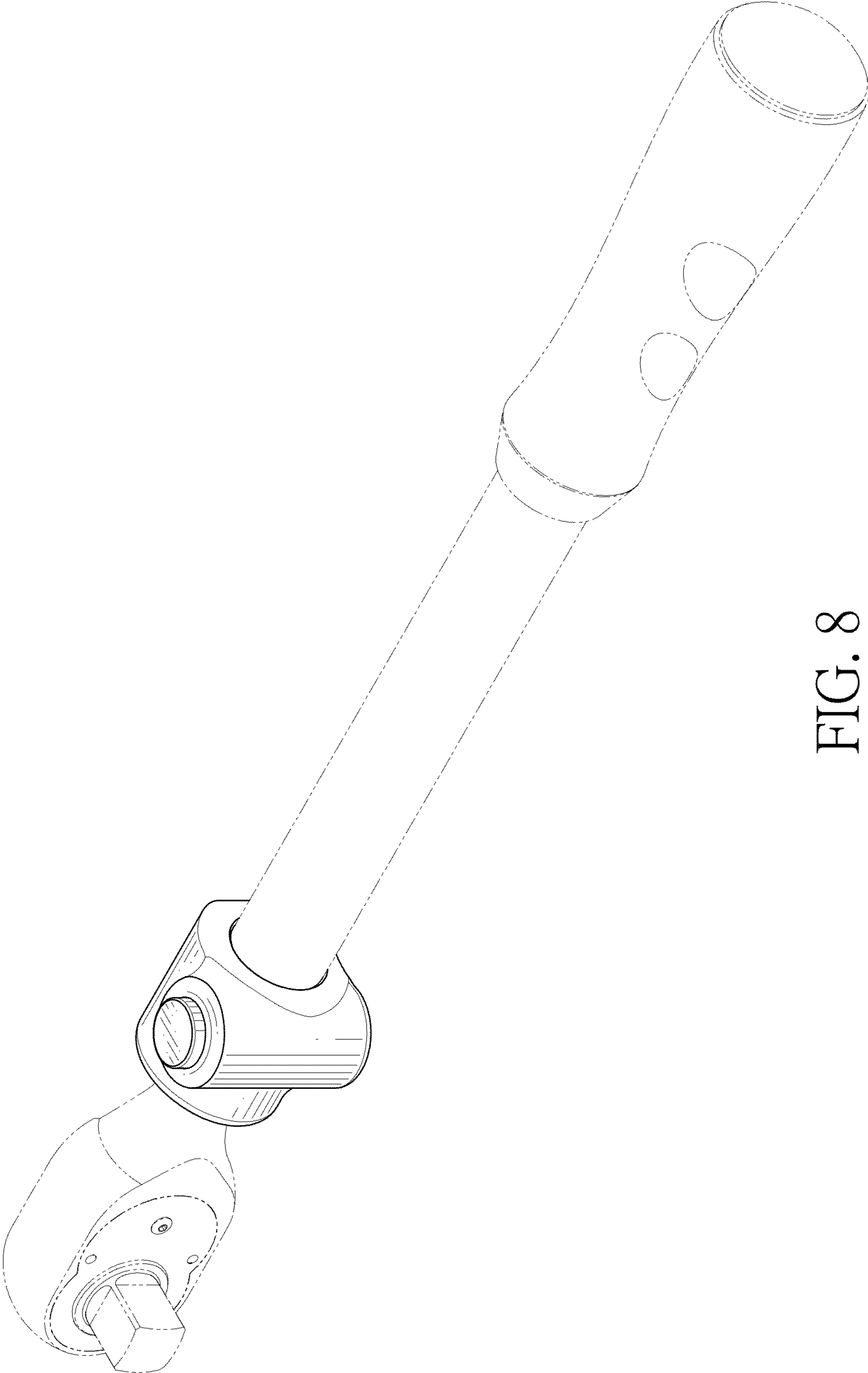


FIG. 8