



US00D719801S

(12) **United States Design Patent**
Theissen

(10) **Patent No.:** **US D719,801 S**

(45) **Date of Patent:** **** Dec. 23, 2014**

(54) **TORQUE WRENCH**

(75) Inventor: **Marco Theissen**, Oldenthal (DE)

(73) Assignee: **Eduard Wille GmbH & Co KG**,
Wuppertal (DE)

(**) Term: **14 Years**

(21) Appl. No.: **29/425,474**

(22) Filed: **Jun. 22, 2012**

(30) **Foreign Application Priority Data**

Dec. 22, 2011 (EM) 001 967 233 0001

(51) **LOC (10) Cl.** **08-05**

(52) **U.S. Cl.**
USPC **D8/24**

(58) **Field of Classification Search**
CPC B25B 31/00; B25B 13/00; B25B 23/00
USPC D8/21-29, 107, 61; 73/862.22, 862.23,
73/862.331-962.335; 81/467, 469, 479,
81/480-483, 57, 39; 464/25, 35

See application file for complete search history.

(56) **References Cited**

U.S. PATENT DOCUMENTS

D497,294 S * 10/2004 Becker et al. D8/25
D562,093 S * 2/2008 Wu D8/24
7,370,539 B2 * 5/2008 Gharib et al. 73/862.21
D571,626 S * 6/2008 Escoe et al. D8/24
7,469,602 B2 * 12/2008 Gharib et al. 73/862.21

* cited by examiner

Primary Examiner — Randall Gholson

(74) *Attorney, Agent, or Firm* — Lawrence G. Fridman

(57) **CLAIM**

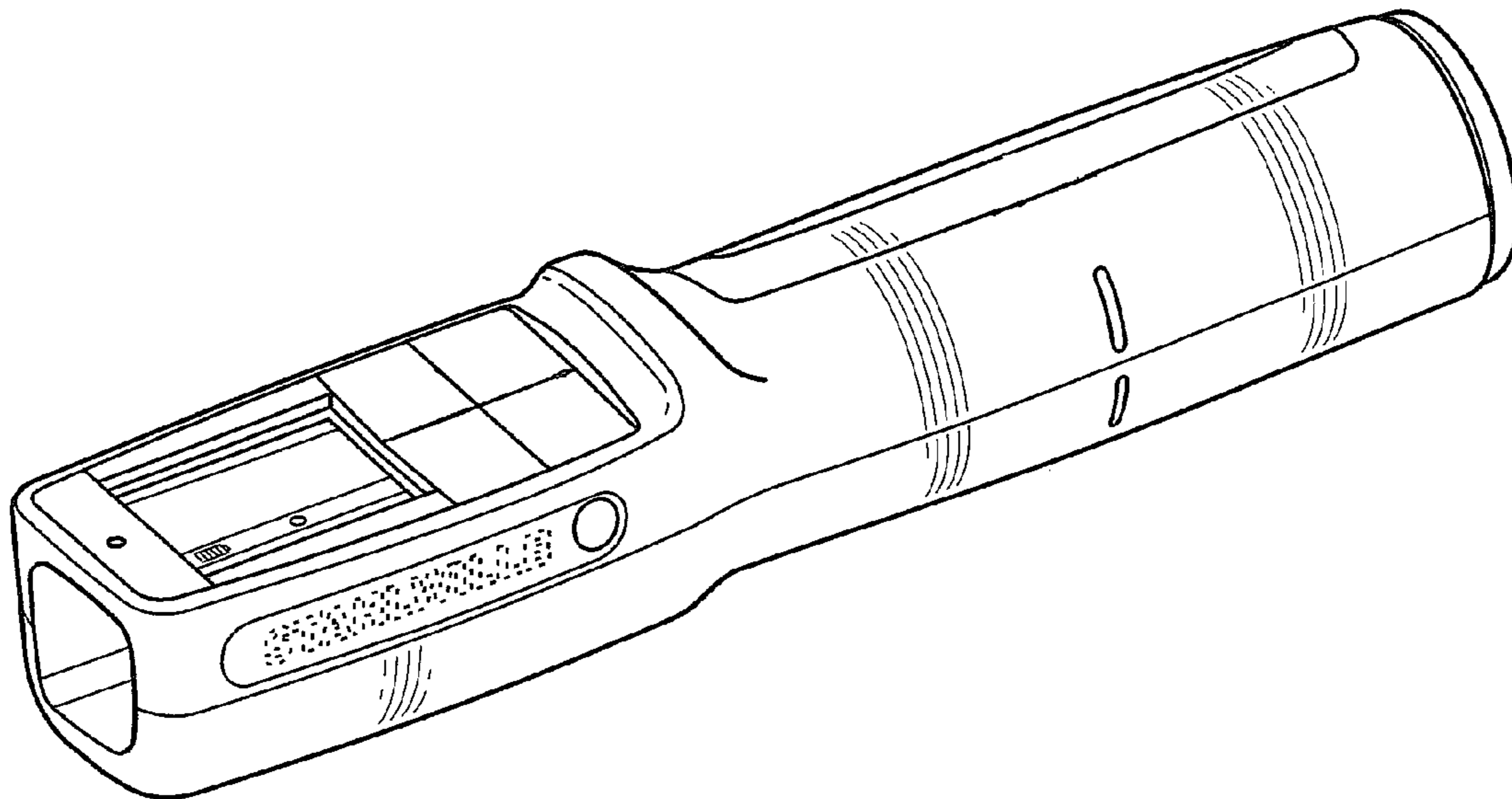
The ornamental design for a torque wrench, as shown and described.

DESCRIPTION

FIG. 1 is a front perspective view of a first embodiment of torque wrench according to my new design;
FIG. 2 is a top view thereof;
FIG. 3 is a side view thereof;
FIG. 4 is a bottom view thereof; and,
FIG. 5 is a rear view thereof.

The broken lines shown in the drawings show unclaimed subject matter only and form no part of the claimed design.

1 Claim, 3 Drawing Sheets



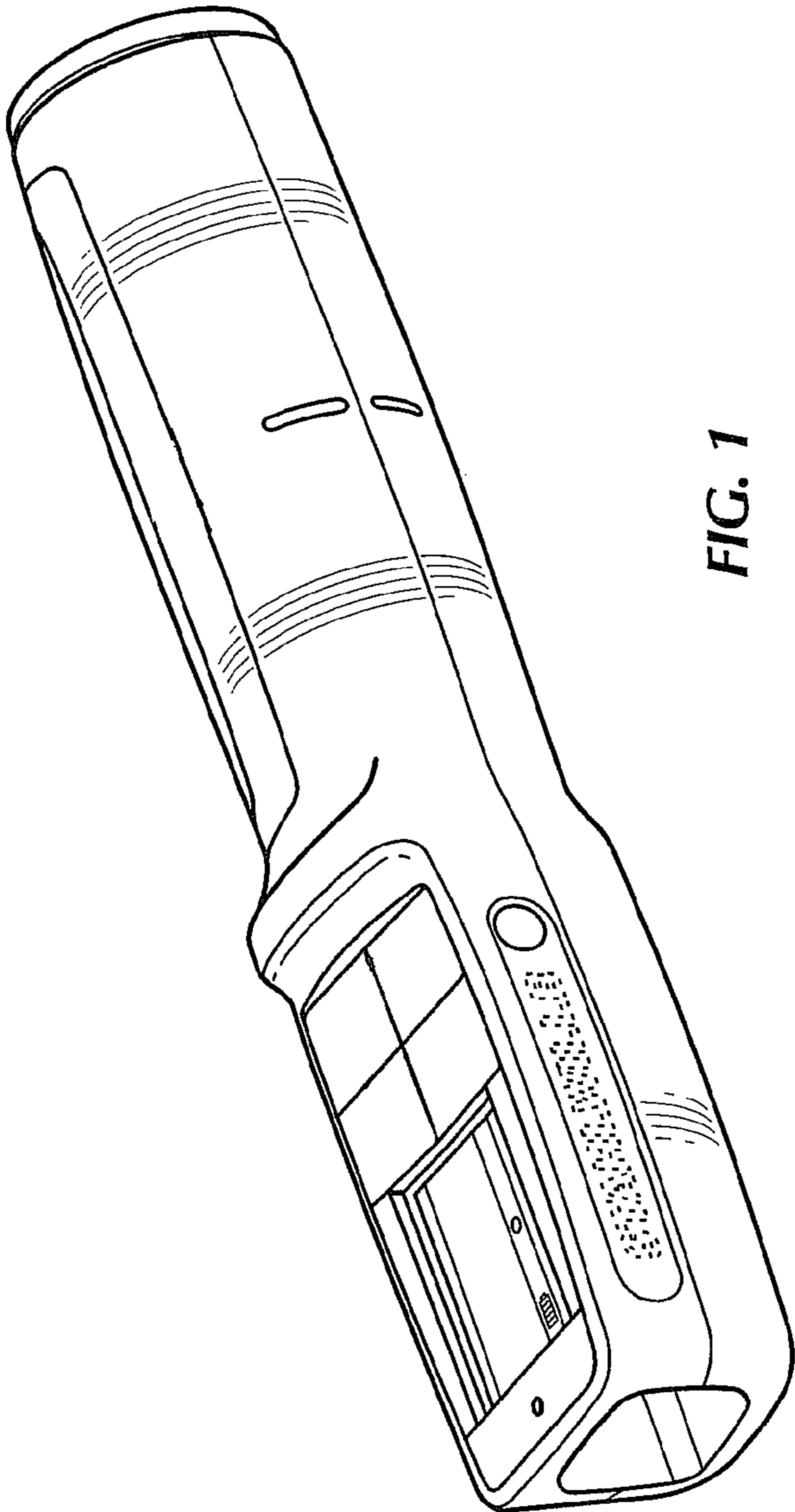


FIG. 1

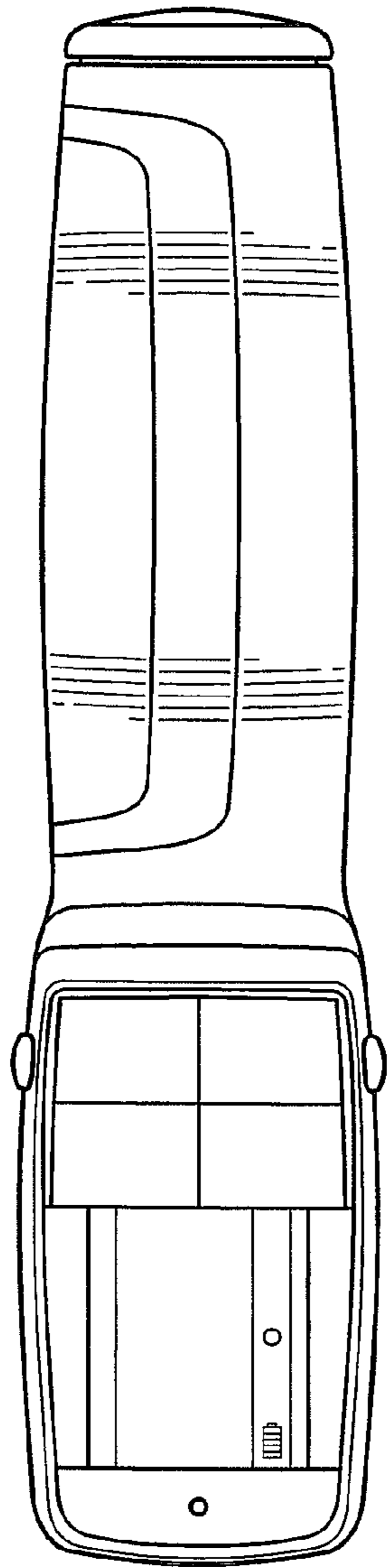


FIG. 2

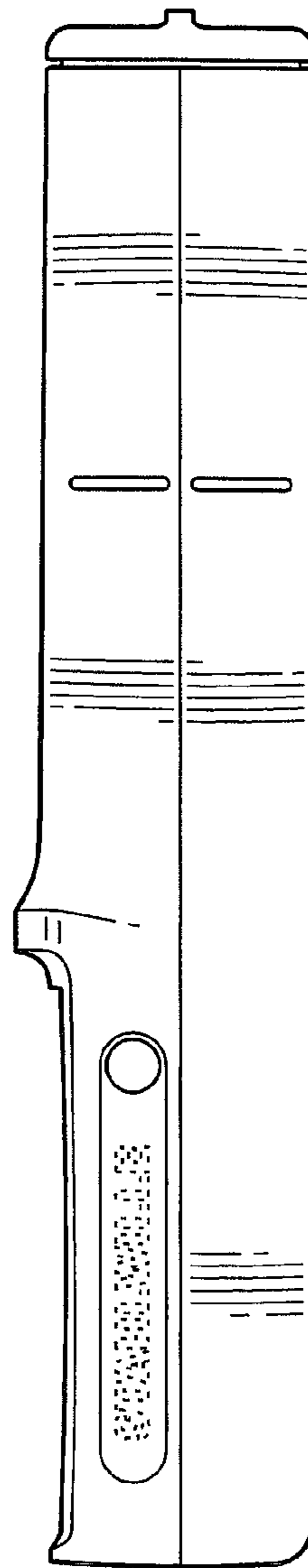


FIG. 3

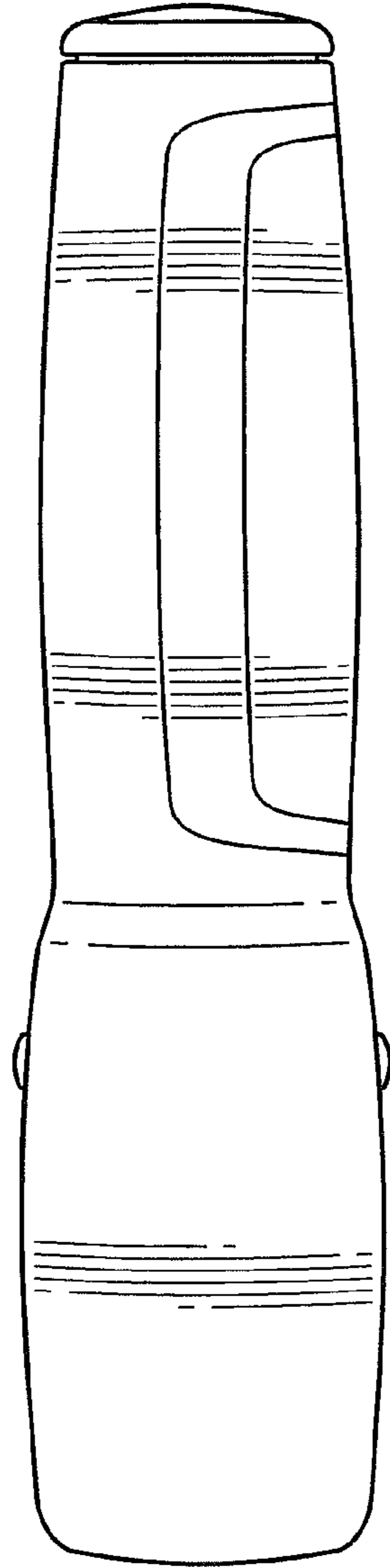


FIG. 4

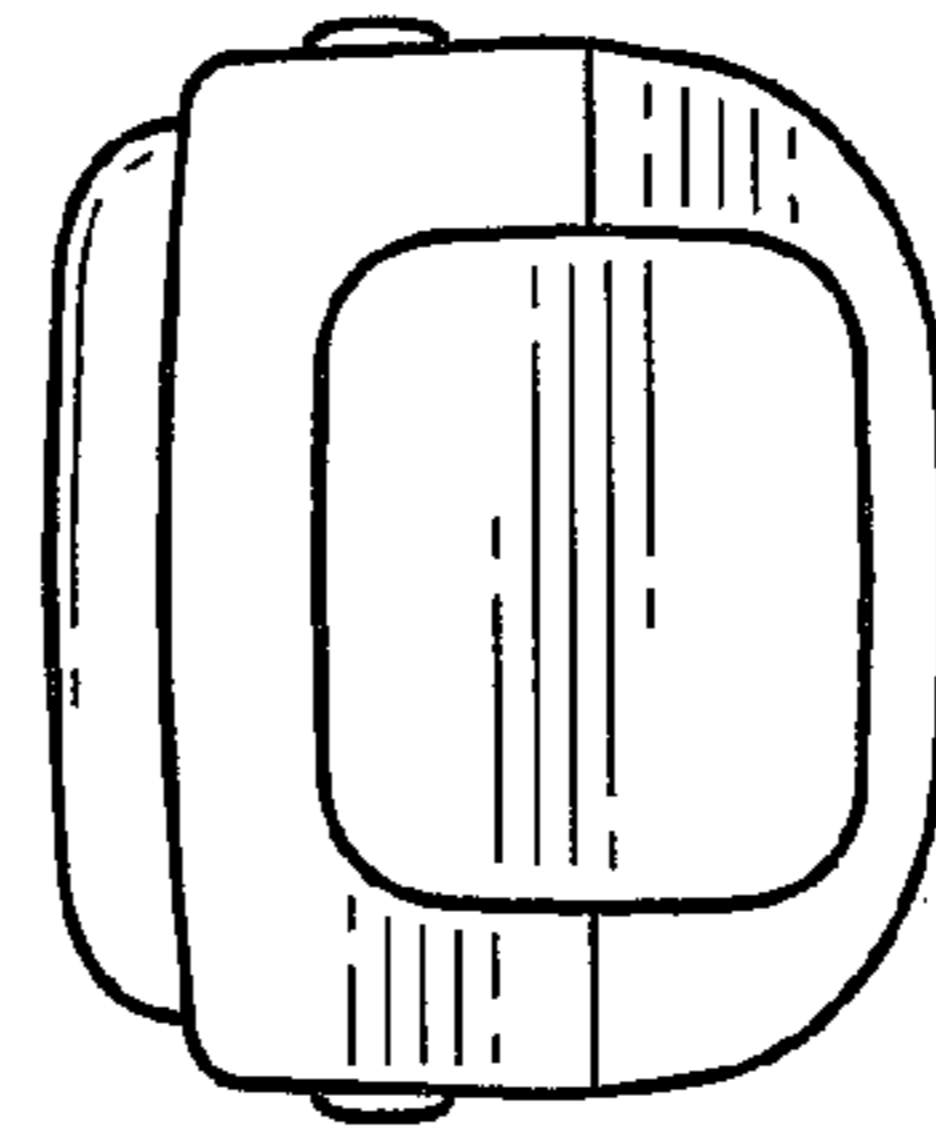


FIG. 5