



US00D719797S

(12) **United States Design Patent**
Puruganan

(10) **Patent No.:** **US D719,797 S**
(45) **Date of Patent:** **** Dec. 23, 2014**

(54) **KITCHENWARE ORGANIZER**
(71) Applicant: **Andre Puruganan**, Hayward, CA (US)
(72) Inventor: **Andre Puruganan**, Hayward, CA (US)
(**) Term: **14 Years**
(21) Appl. No.: **29/458,948**

D348,633 S * 7/1994 Emalfarb et al. D11/156
D349,212 S * 8/1994 Lynch D7/505
D430,441 S * 9/2000 Rosenberg D6/566
D433,958 S * 11/2000 Rosenberg D6/513
D469,810 S * 2/2003 Joss et al. D19/75
D565,805 S * 4/2008 Modi et al. D30/133
D568,004 S * 4/2008 Tiemann D30/133
D599,167 S * 9/2009 Tiemann
D661,929 S * 6/2012 Purcell et al. D6/525
D697,379 S * 1/2014 Puruganan D7/673

(22) Filed: **Jun. 25, 2013**
(51) **LOC (10) Cl.** **07-06**
(52) **U.S. Cl.**
USPC **D7/704; D7/600.1**
(58) **Field of Classification Search**
USPC D7/631-634, 704, 600.1-600.4, 590,
D7/592, 596, 701, 602, 702, 705, 637, 638,
D7/641; D6/673, 675.2, 675.5, 676.5,
D6/677.5, 678.4, 680.3, 329, 677, 677.1,
D6/677.2; D19/90, 86, 75, 84, 85, 92, 95;
D32/55; D30/121, 128, 129, 131, 133;
D3/20, 26, 210, 229, 257, 258, 328,
D3/304, 306; 211/41.1-41.4, 11, 126.9,
211/133.5, 85.4, 70.7, 71.01, 74; 119/51.5
See application file for complete search history.

OTHER PUBLICATIONS

<http://www.goldencrownpartyrentals.com/PhotoUploads3910/3%20Tier%20Round%20Stand%20With%20Bowls.jpg>.
<http://www.kingdametal.com/upload/steel-utensil-rack.jpg>.
http://celebrationeventrental.com/wp-content/uploads/catablog/fullsize/Buf_60_White.jpg.

* cited by examiner

Primary Examiner — Ian Simmons
Assistant Examiner — Shannon Morgan
(74) *Attorney, Agent, or Firm* — Raj Abhyanker, P.C.

(56) **References Cited**

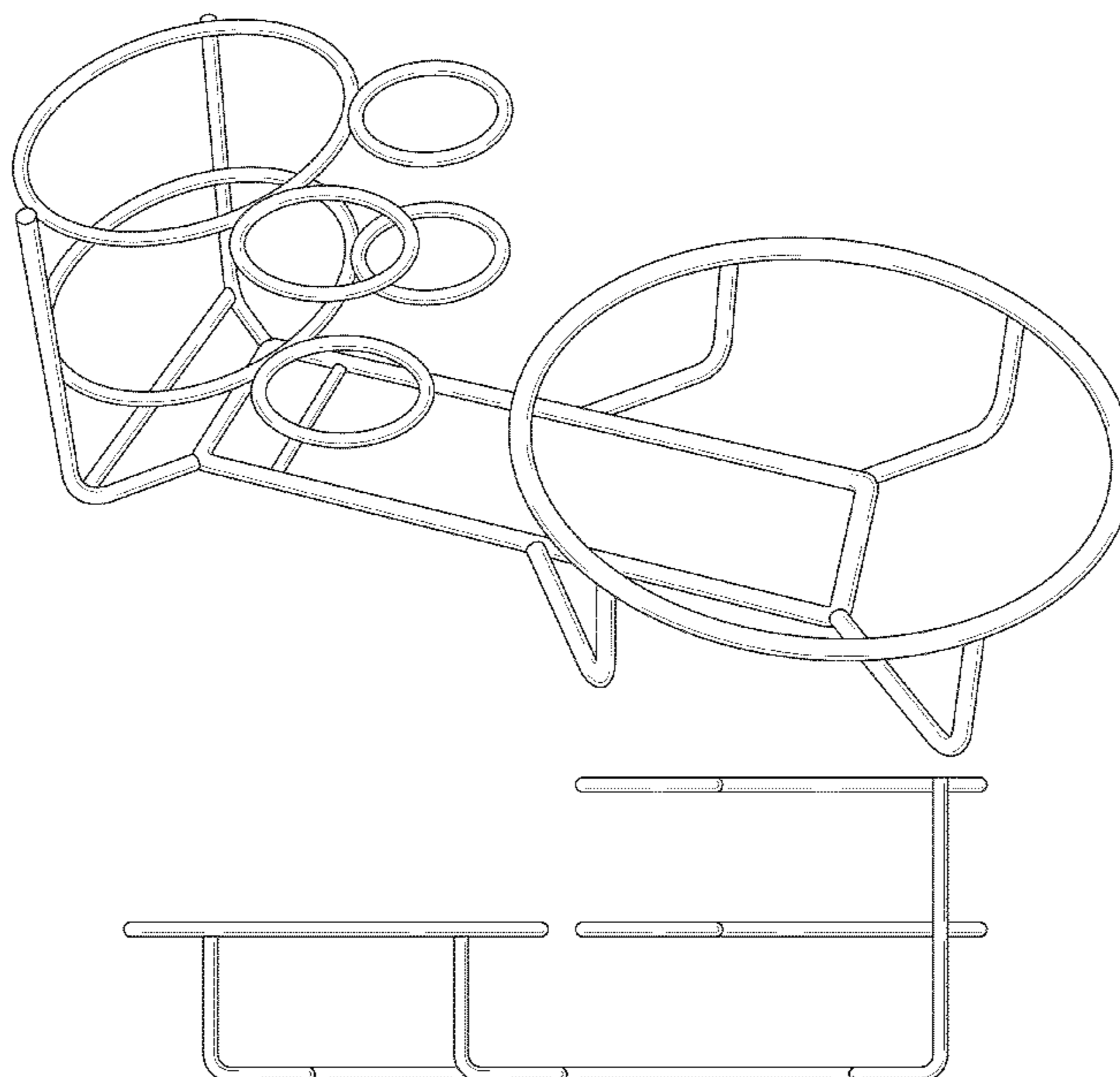
U.S. PATENT DOCUMENTS

1,631,725 A * 6/1927 Halvorsen 211/85.31
2,049,884 A * 8/1936 Wurster et al. 220/486
2,550,355 A * 4/1951 James 211/74
2,584,301 A * 2/1952 Sinclair 119/61.53
D198,349 S * 6/1964 Saunders D6/552
D267,841 S * 2/1983 Leslie D7/704
D288,053 S * 2/1987 Maza et al. D7/704
4,718,402 A * 1/1988 Fordyce 126/337 R
D294,272 S * 2/1988 Morris D20/19
D302,756 S * 8/1989 Trine D30/133
D341,463 S * 11/1993 Booth D3/306

DESCRIPTION

FIG. 1 is a top, right perspective view of a kitchenware organizer showing my new design;
FIG. 2 is a front elevational view thereof;
FIG. 3 is a rear elevational view thereof;
FIG. 4 is a left side elevational view thereof;
FIG. 5 is a right side elevational view thereof;
FIG. 6 is a top plan view thereof; and,
FIG. 7 is a bottom plan view thereof.

1 Claim, 4 Drawing Sheets



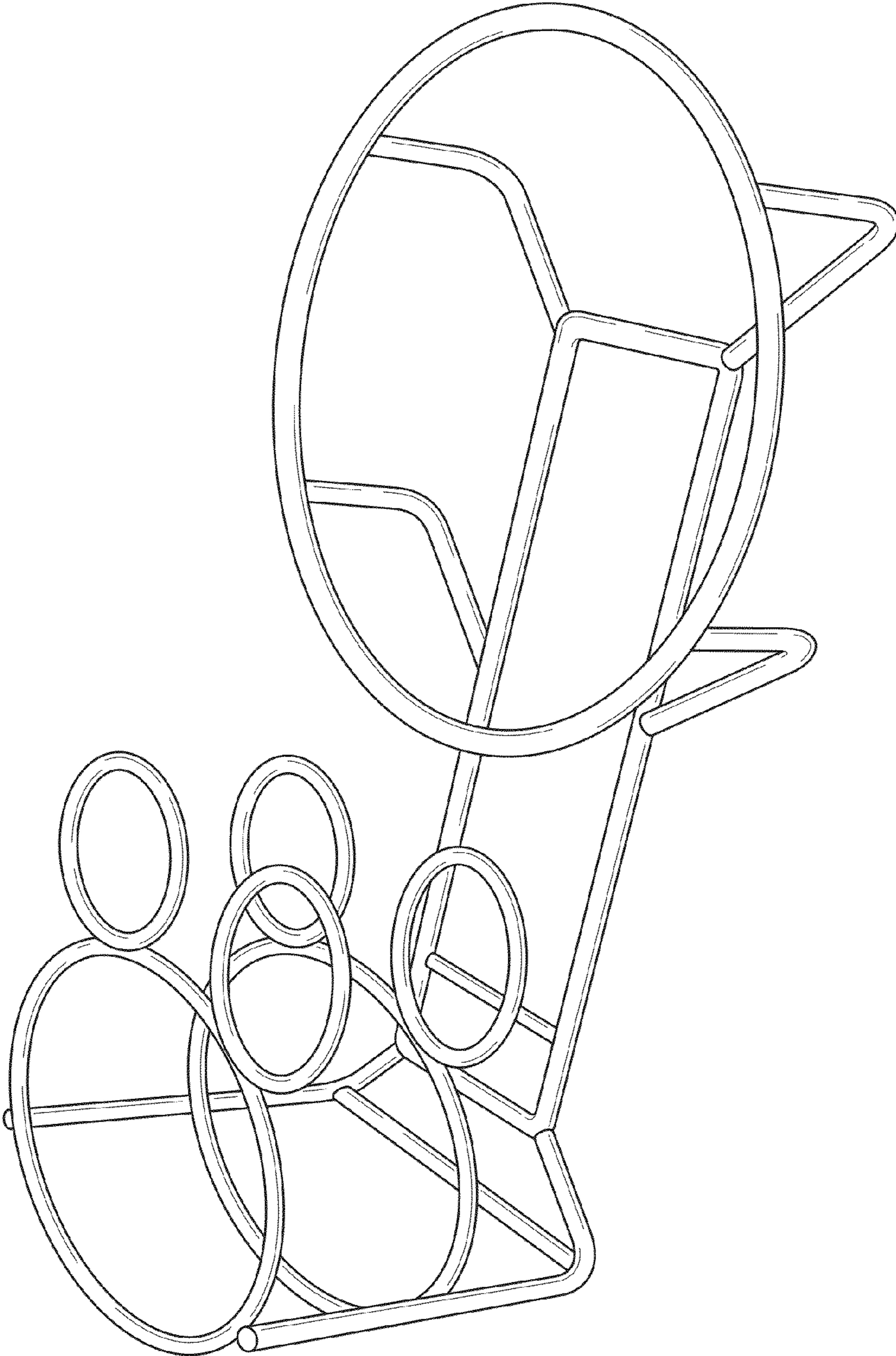


FIG. 1

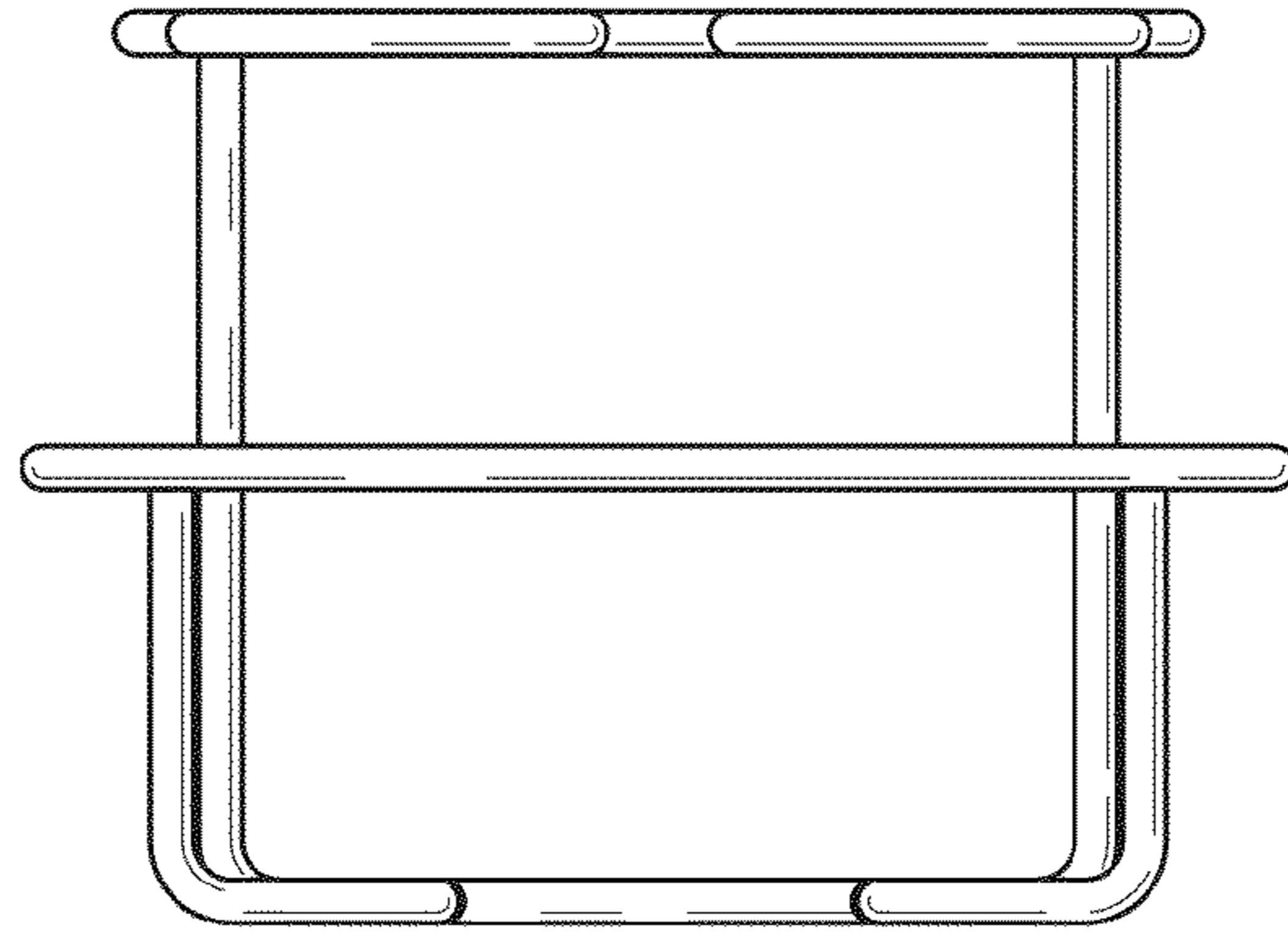


FIG. 2

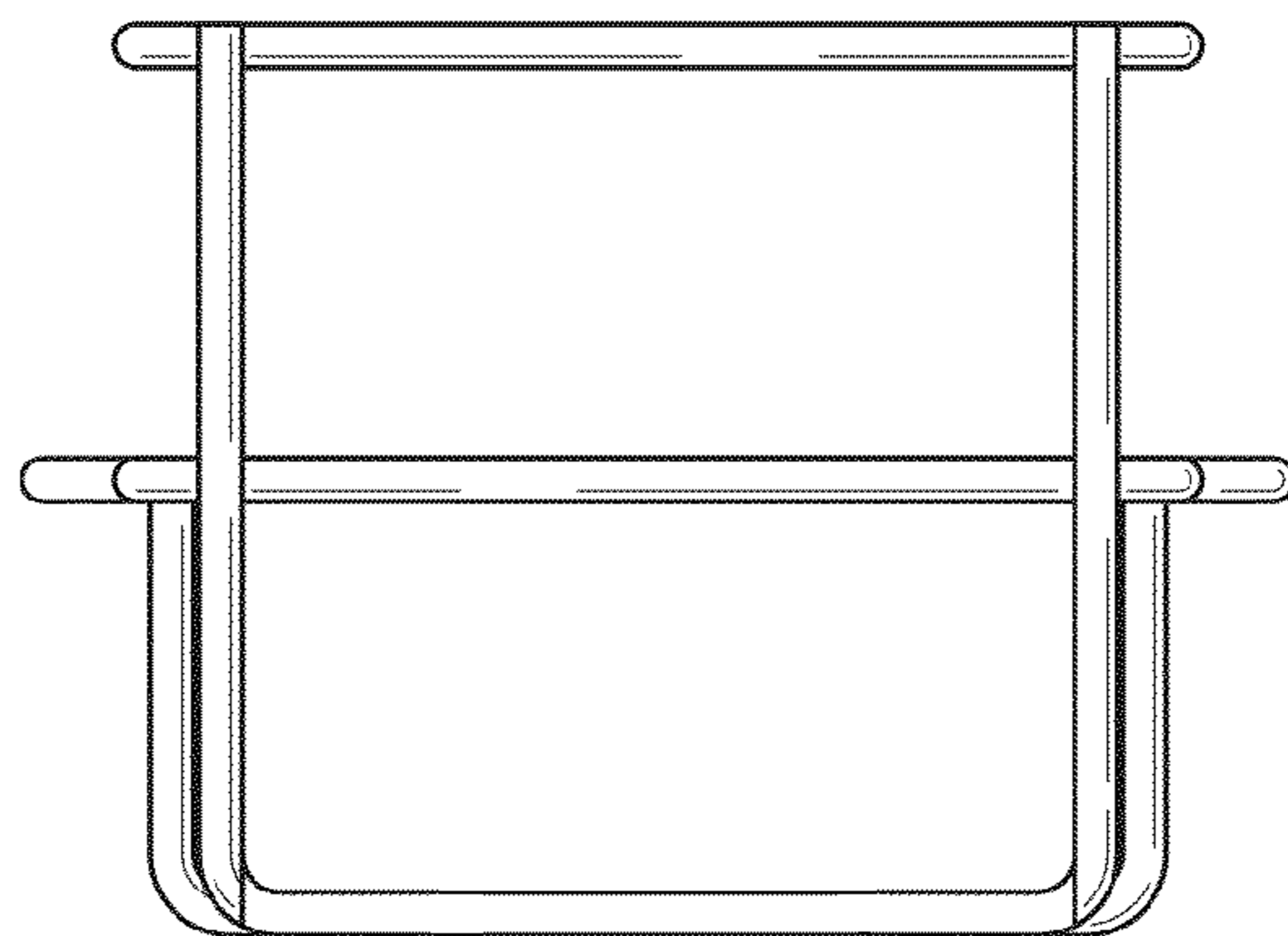


FIG. 3

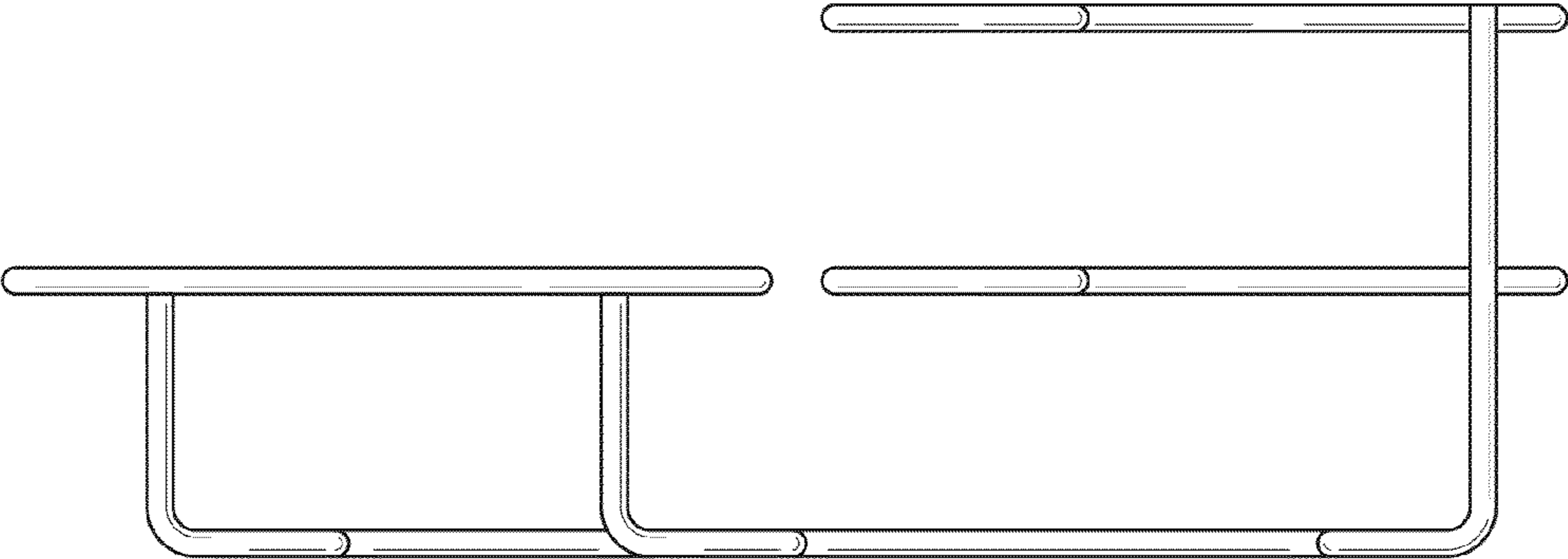


FIG. 4

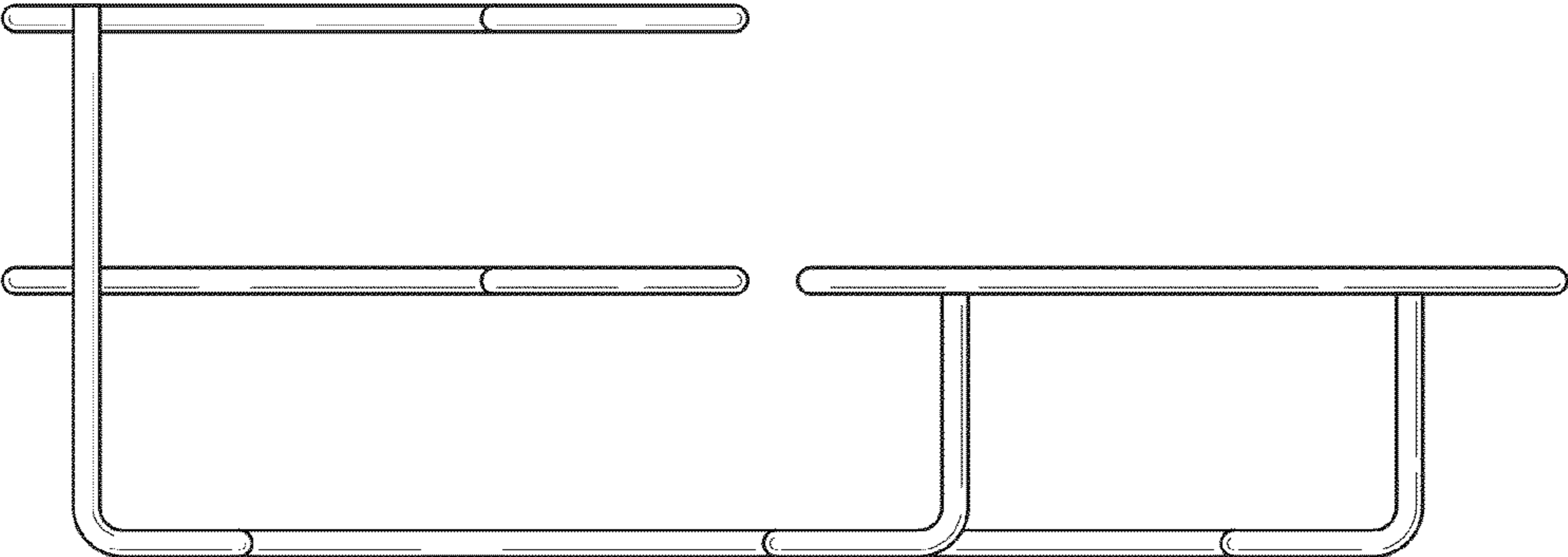


FIG. 5

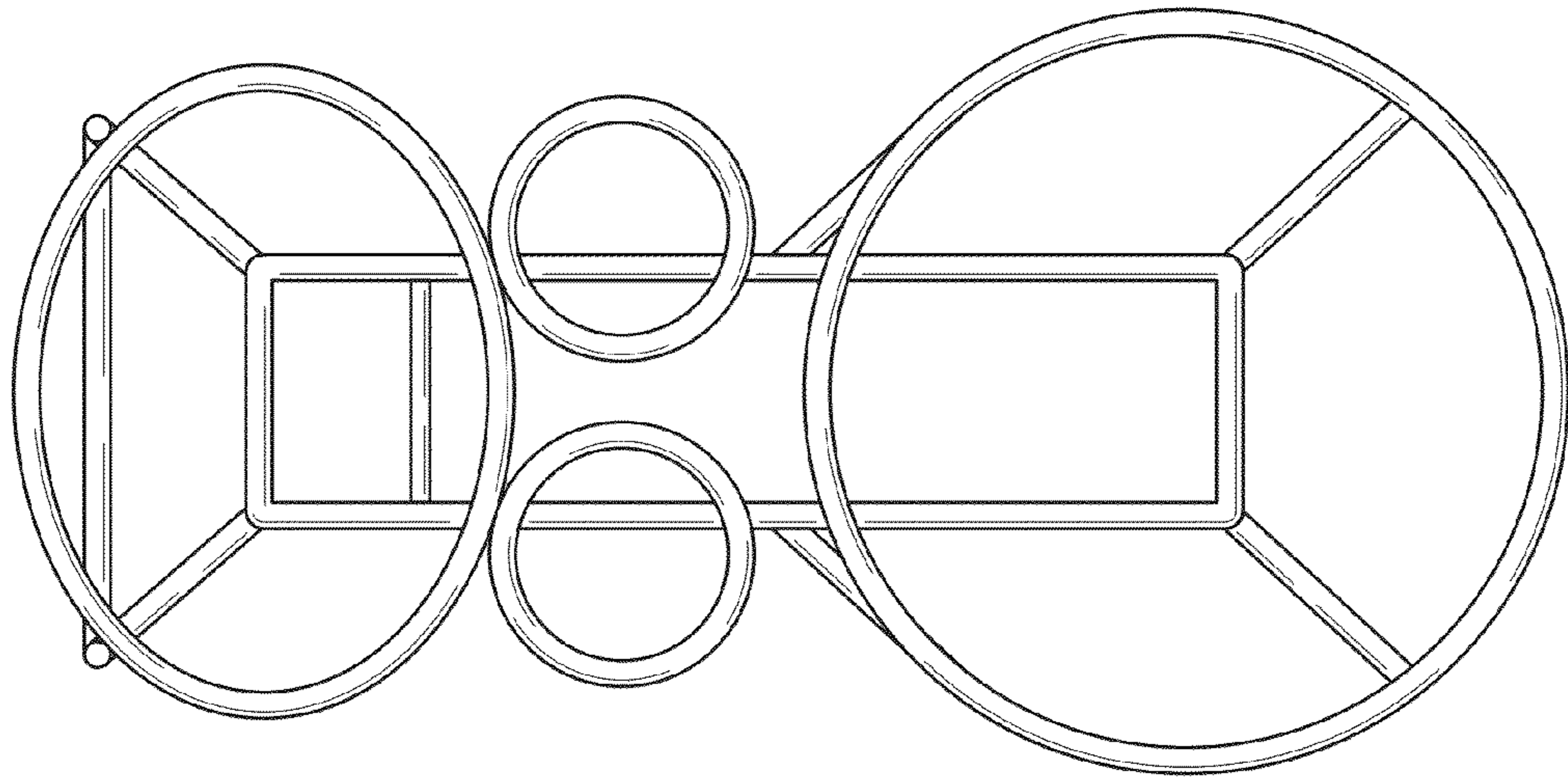


FIG. 6

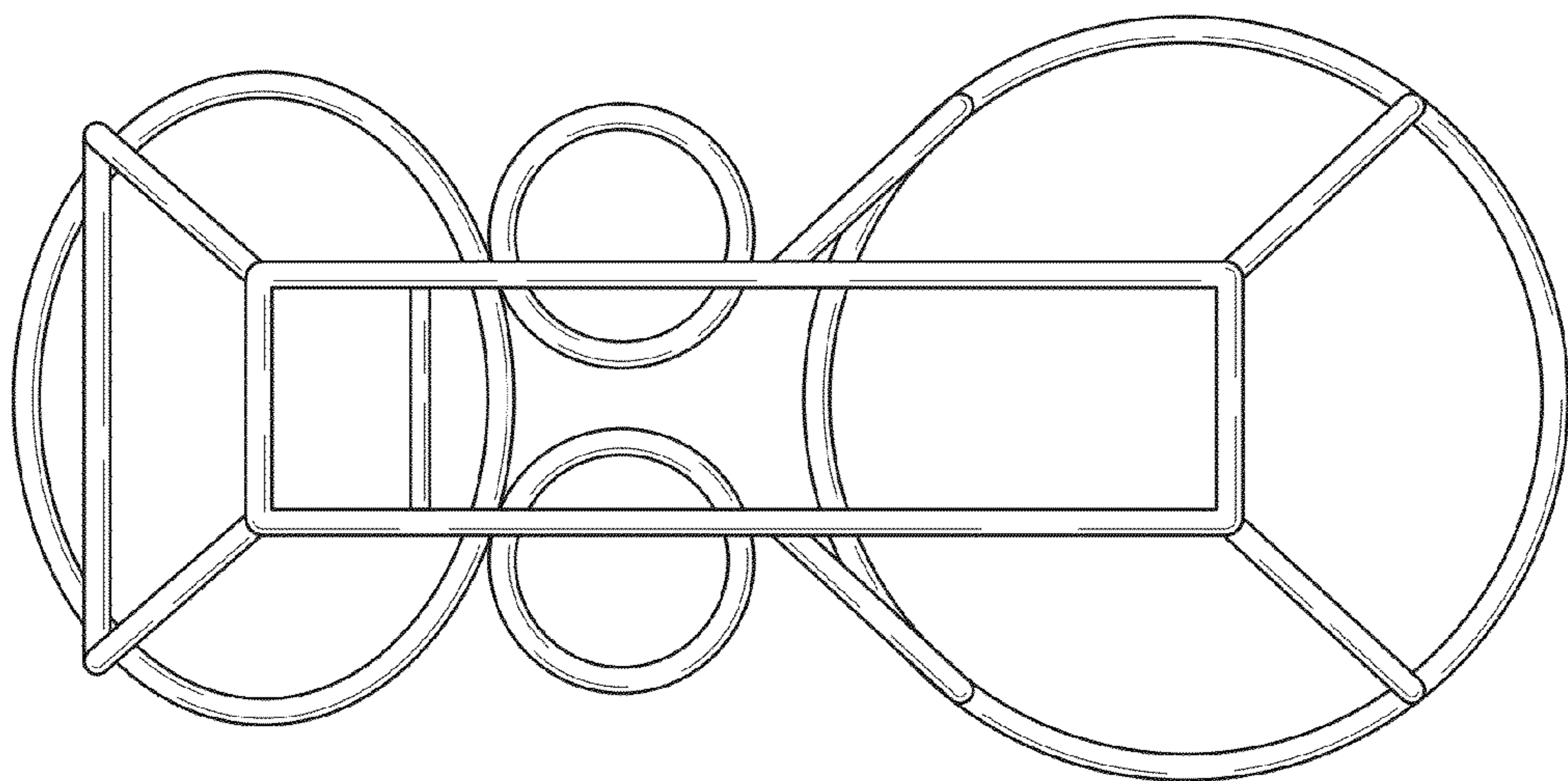


FIG. 7