



US00D719796S

(12) **United States Design Patent**  
**Ferren**

(10) **Patent No.:** **US D719,796 S**

(45) **Date of Patent:** **\*\* Dec. 23, 2014**

(54) **SCROLL SERVER STAND**

(71) Applicant: **Giftburg Enterprises Ltd.**, West Mongkok (HK)

(72) Inventor: **Justin Ferren**, Wilmot, NH (US)

(73) Assignee: **Giftburg Enterprises Ltd.**, West Mongkok, Kowloon (HK)

(\*\*) Term: **14 Years**

(21) Appl. No.: **29/451,839**

(22) Filed: **Apr. 9, 2013**

(51) **LOC (10) Cl.** ..... **07-06**

(52) **U.S. Cl.**

USPC ..... **D7/704**; D6/678.2; D6/678.4

(58) **Field of Classification Search**

USPC ..... D7/704, 387, 388, 601, 610, 505, 506, D7/507, 553.6, 553.7, 553.8, 554.1, 554.2, D7/584, 585, 587, 590, 596, 597, D7/600.1-600.4, 602, 701, 707, 708, D7/619.1, 631, 632, 630, 637, 640, 641; 211/71.01, 74, 85.31, 119.12, 128.1, 211/181.1, 85.4, 10, 13.1, 41.1, 41.2, 41.3, 211/41.4, 49.1, 70.7, 133.1, 133.2, 133.5, 211/134; 248/127, 146, 153, 175, 176.1, 248/188.8; D6/329, 672, 677, 677.1, 677.2, D6/677.3, 677.5, 678.2, 678.4, 680.3, 682, D6/705.3, 719.3, 514, 546, 567  
See application file for complete search history.

(56) **References Cited**

**U.S. PATENT DOCUMENTS**

493,128 A \* 3/1893 Stow ..... 108/95  
D36,086 S \* 9/1902 Olsen ..... D6/403  
D40,361 S \* 11/1909 Bunnell ..... D6/405  
D90,902 S \* 10/1933 Weeks ..... D6/458

1,938,466 A \* 12/1933 Rubenstein ..... 211/74  
3,347,404 A \* 10/1967 McIntyre ..... 220/486  
4,539,914 A \* 9/1985 Lebecque ..... 108/94  
5,607,077 A 3/1997 Torkelson  
D389,016 S \* 1/1998 Walters et al. .... D6/465  
D397,000 S \* 8/1998 Goodman et al. .... D7/637  
D402,161 S \* 12/1998 Fischer, Jr. .... D7/620  
D424,835 S \* 5/2000 Walters-Dowding et al. . D6/465  
D427,455 S \* 7/2000 Walters-Dowding et al. . D6/465  
6,109,580 A 8/2000 Stern et al.

(Continued)

**OTHER PUBLICATIONS**

Mesa Home Products, "Delaware Stackable Buffet Caddy", "http://www.mesahomeproducts.com/dining-entertaining/buffet-servers/delaware-stackable-buffet-caddy-with-antiqued-black-finish-plates-not-included/", Jun. 19, 2013, Publisher: Mesa Home Products, Published in: US.

(Continued)

*Primary Examiner* — Ian Simmons  
*Assistant Examiner* — Shannon Morgan  
(74) *Attorney, Agent, or Firm* — Loginov & Associates, PLLC; William A. Loginov

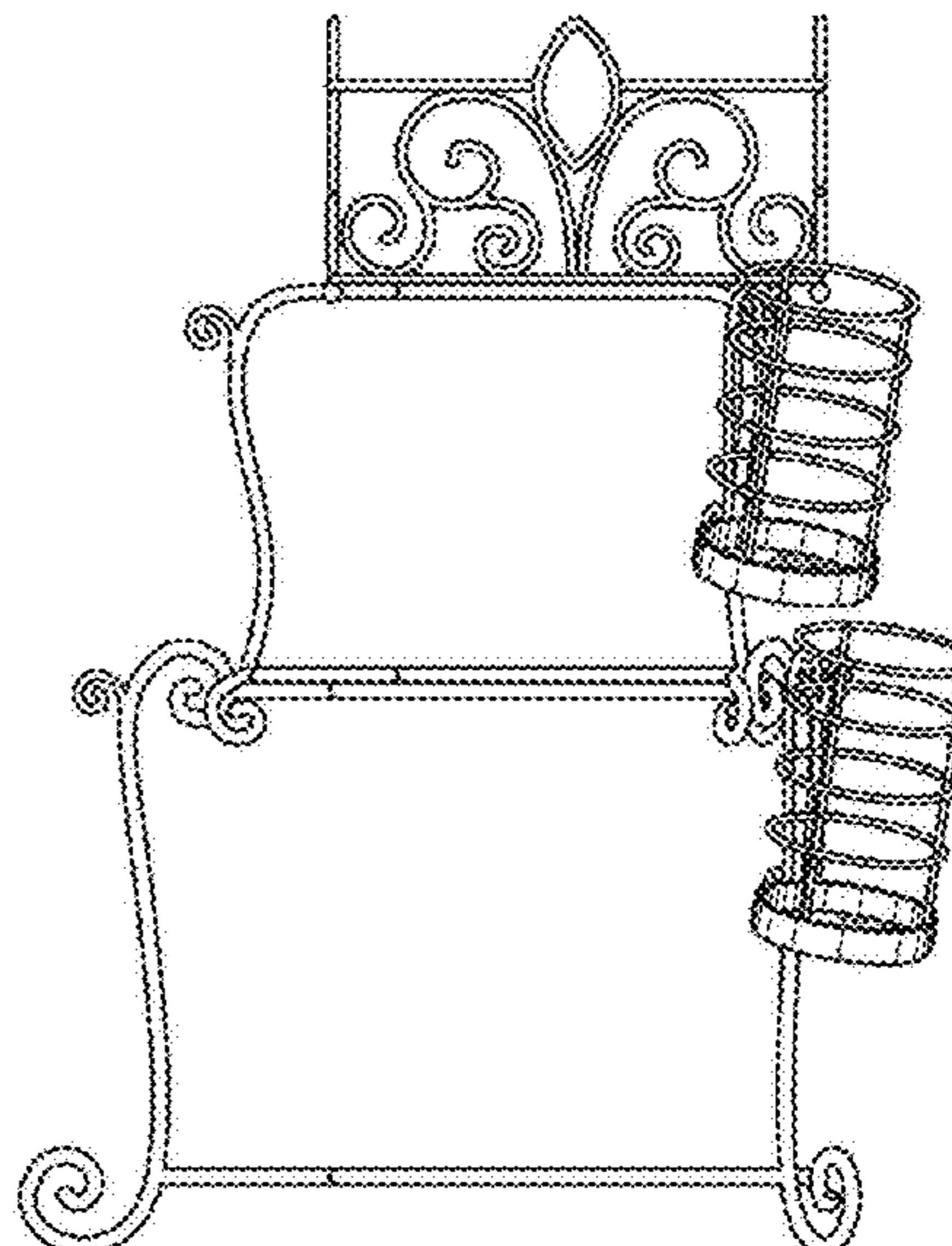
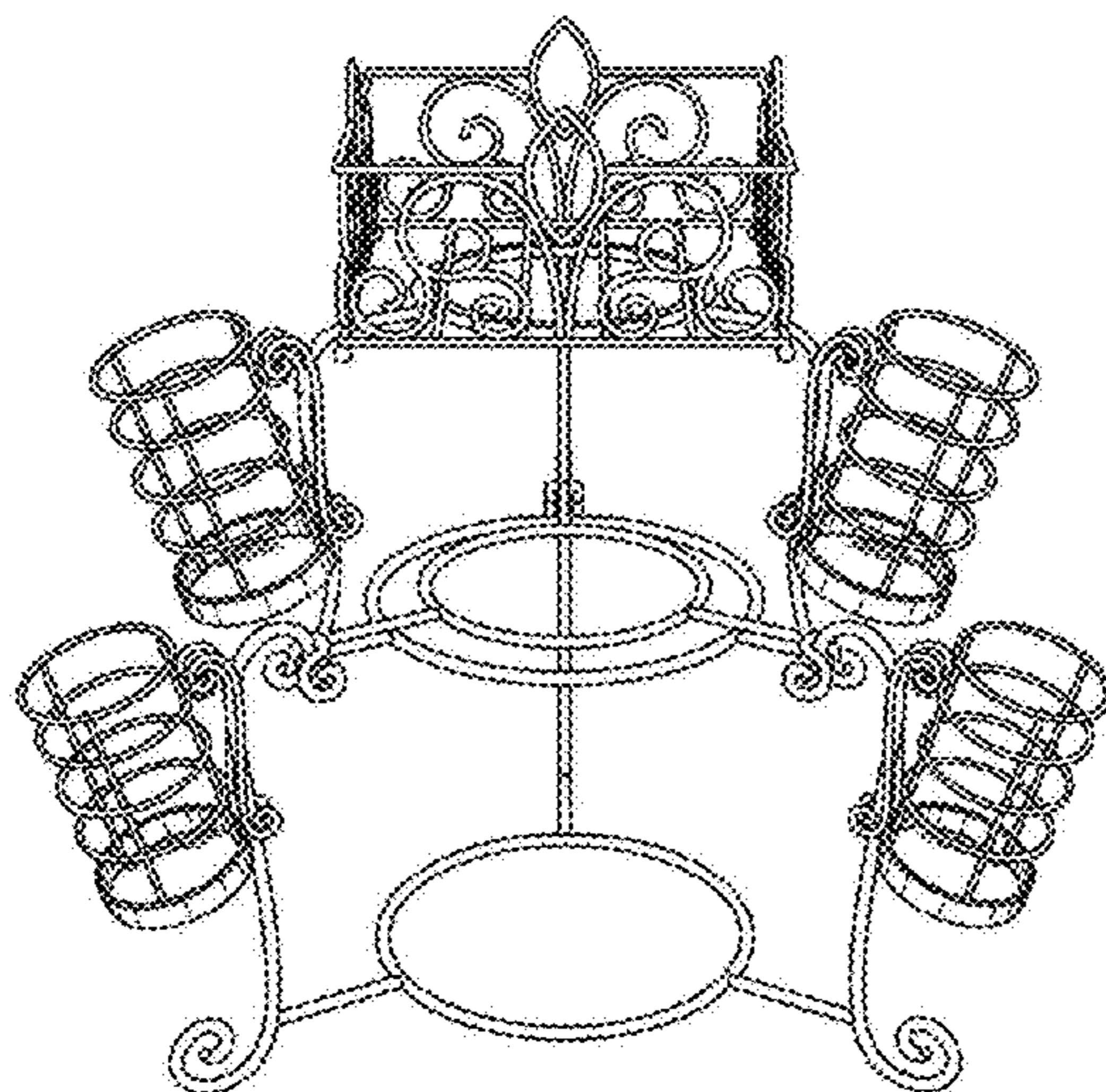
(57) **CLAIM**

The ornamental design for a scroll server stand, substantially as shown and described.

**DESCRIPTION**

FIG. 1 is a top, front perspective view of a scroll server stand showing my new design;  
FIG. 2 is a front elevational view thereof;  
FIG. 3 is a rear elevational view thereof;  
FIG. 4 is a right side elevational view thereof;  
FIG. 5 is a left side elevational view thereof;  
FIG. 6 is a top plan view thereof; and,  
FIG. 7 is a bottom plan view thereof.

**1 Claim, 7 Drawing Sheets**



(56)

**References Cited**

U.S. PATENT DOCUMENTS

D547,619 S \* 7/2007 Goodman et al. .... D7/637  
D591,565 S \* 5/2009 Goodman et al. .... D7/637  
D608,599 S \* 1/2010 Goodman et al. .... D7/601  
7,793,793 B1 \* 9/2010 Sykes ..... 211/85.2  
D654,764 S 2/2012 Murphy  
D664,007 S \* 7/2012 Goodman et al. .... D7/601  
8,567,617 B1 \* 10/2013 Tapager ..... 211/74

OTHER PUBLICATIONS

Mesa Home Products, "AK-1229 Scroll Three Piece Picnic Set",  
"http://www.sears.com/mesa-home-products-ak-1229-scroll-three-  
piece/p-SPM5827345503?sLevel=0&redirectType=SKIP\_LEVEL  
&PDP\_REDIRECT=false&s\_tnt=39869:4:0", Dec. 8, 2011, Pub-  
lisher: Mesa Home Products, Published in: US.

\* cited by examiner



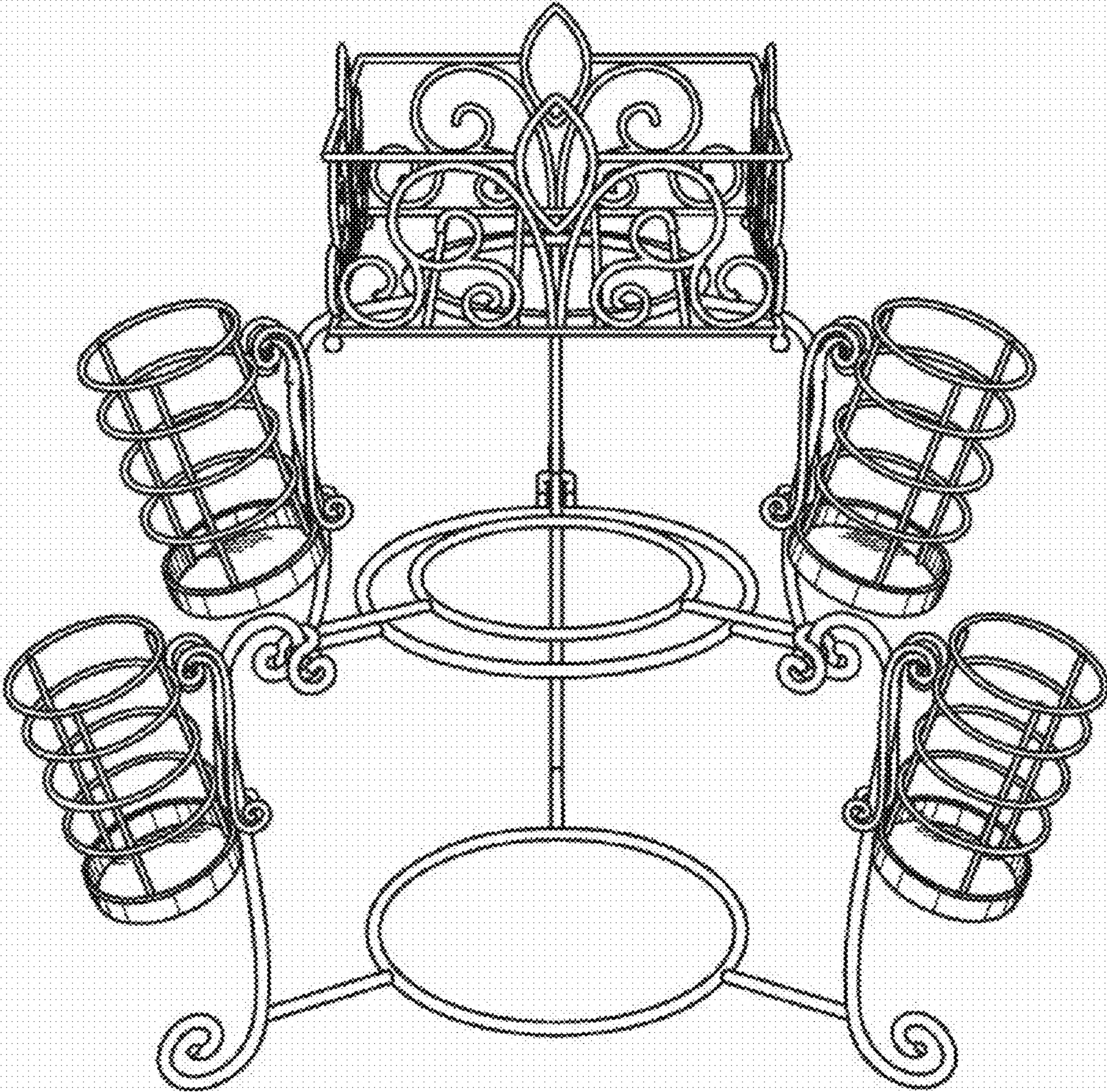


Fig. 1



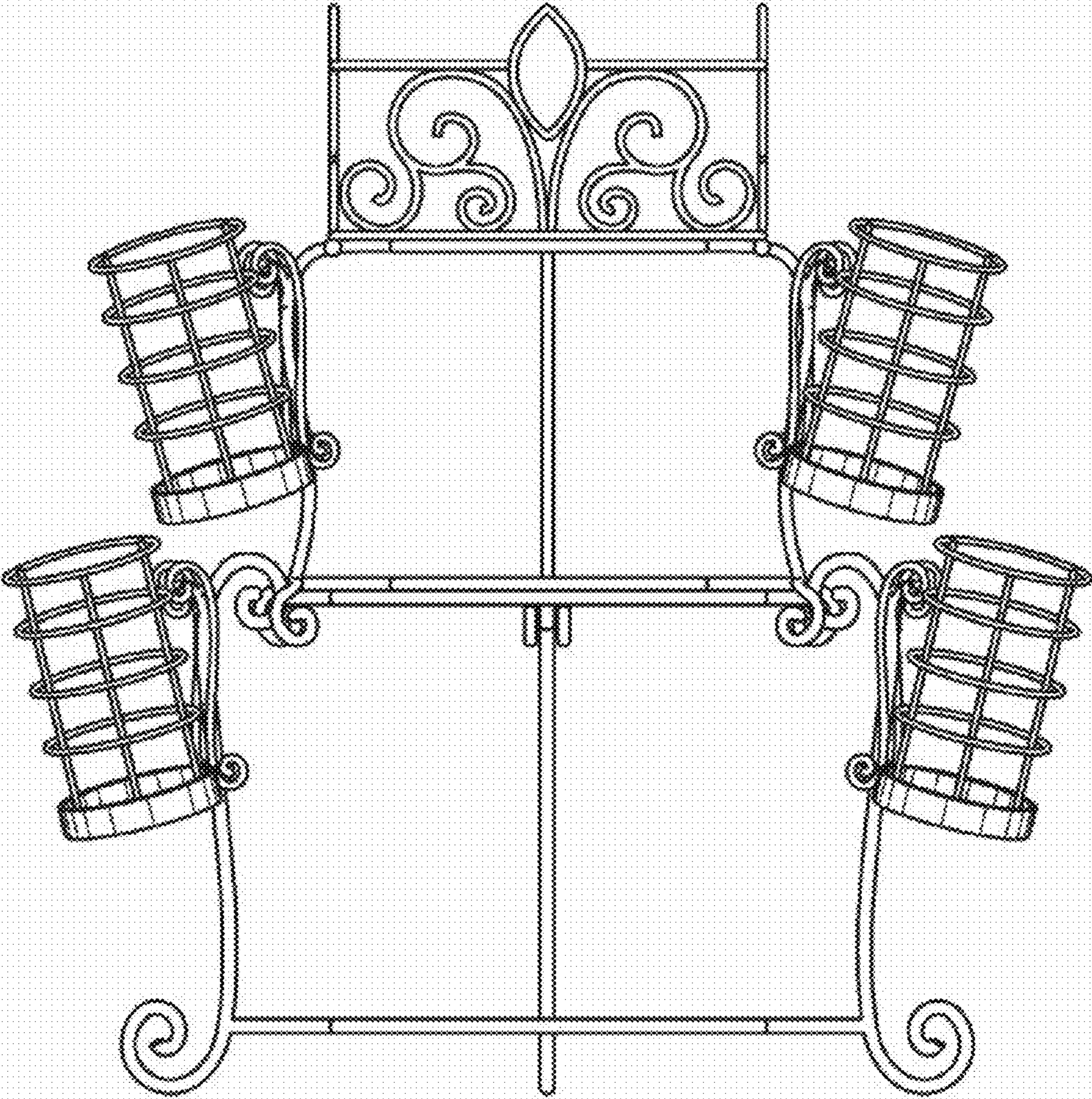


Fig. 2



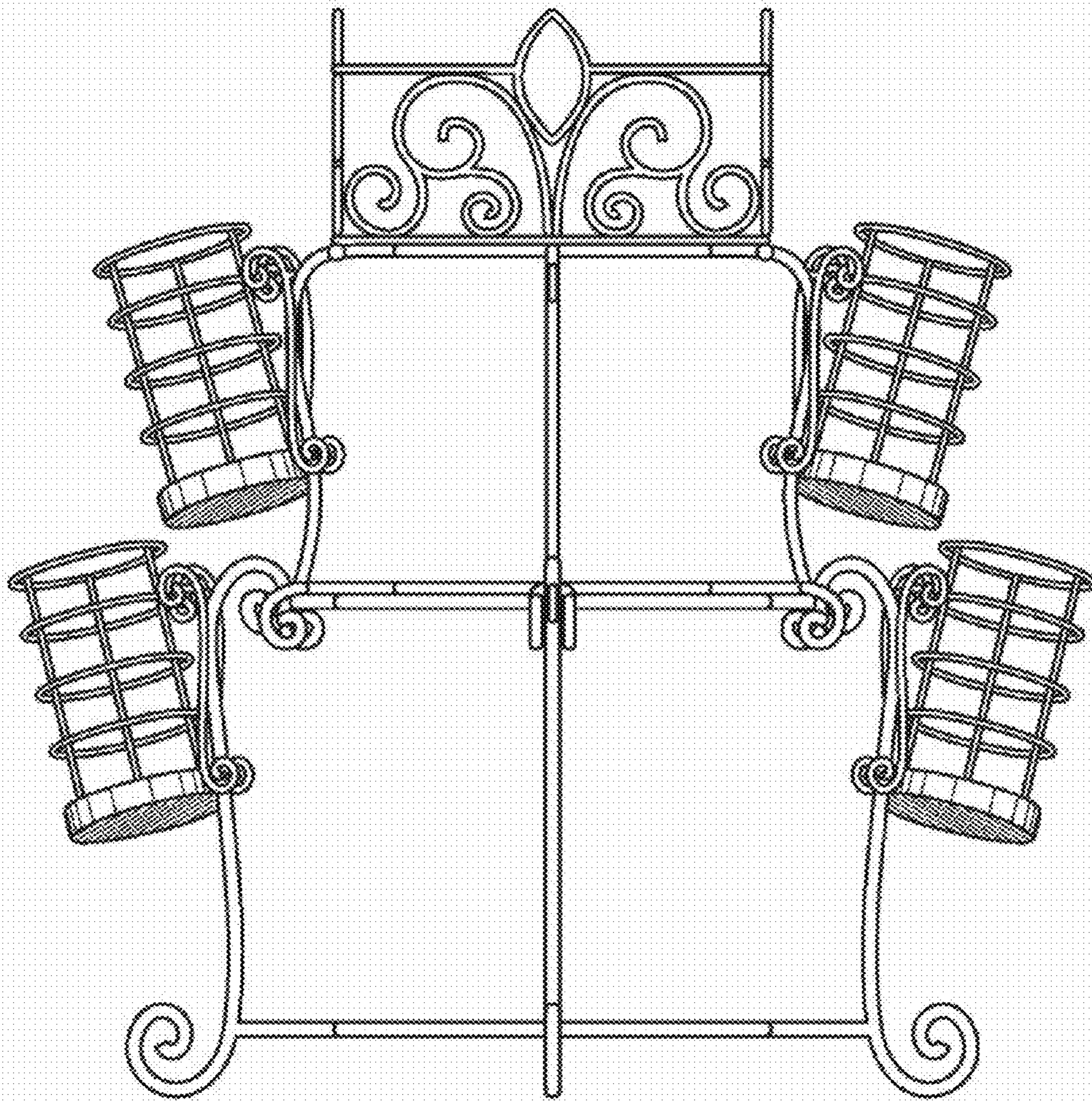


Fig. 3



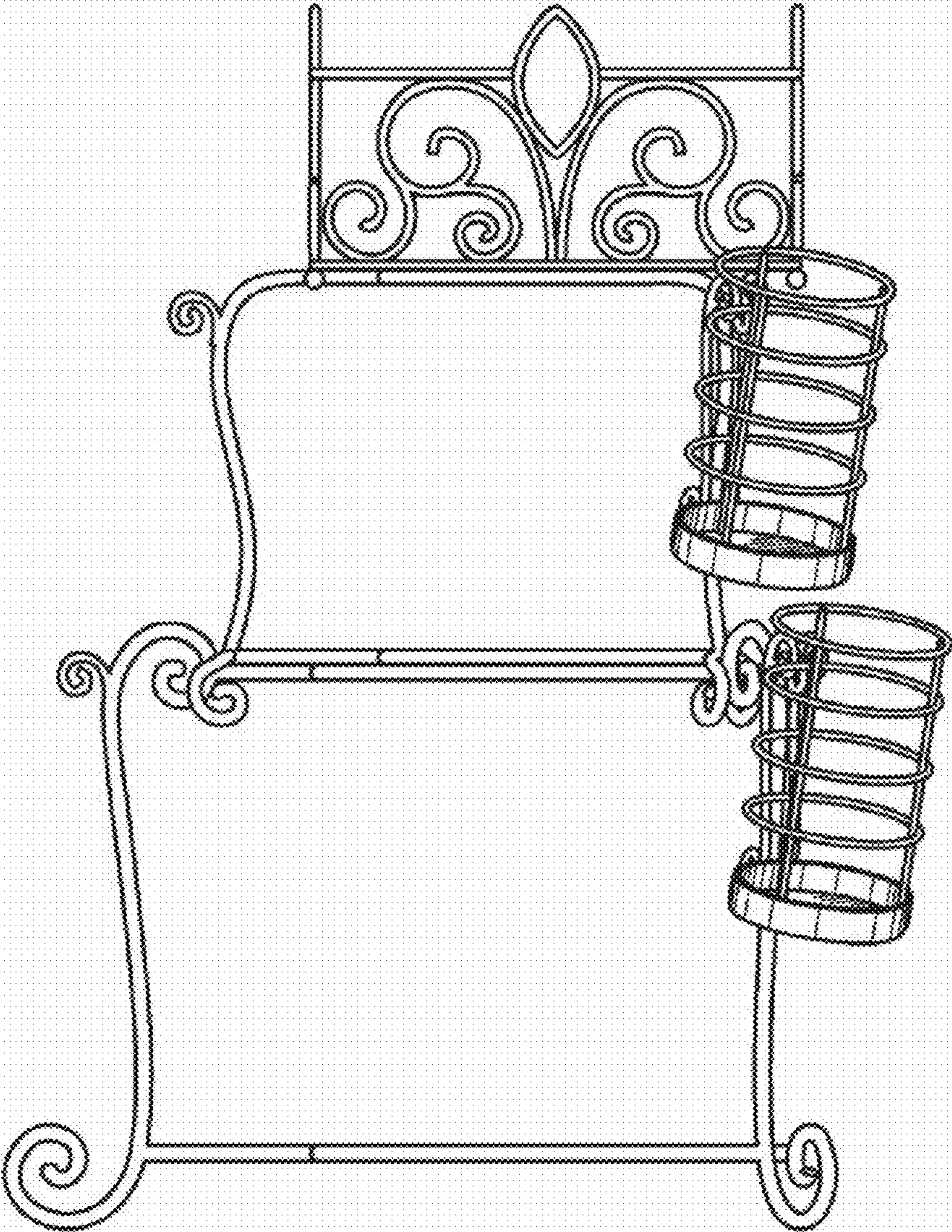


Fig. 4

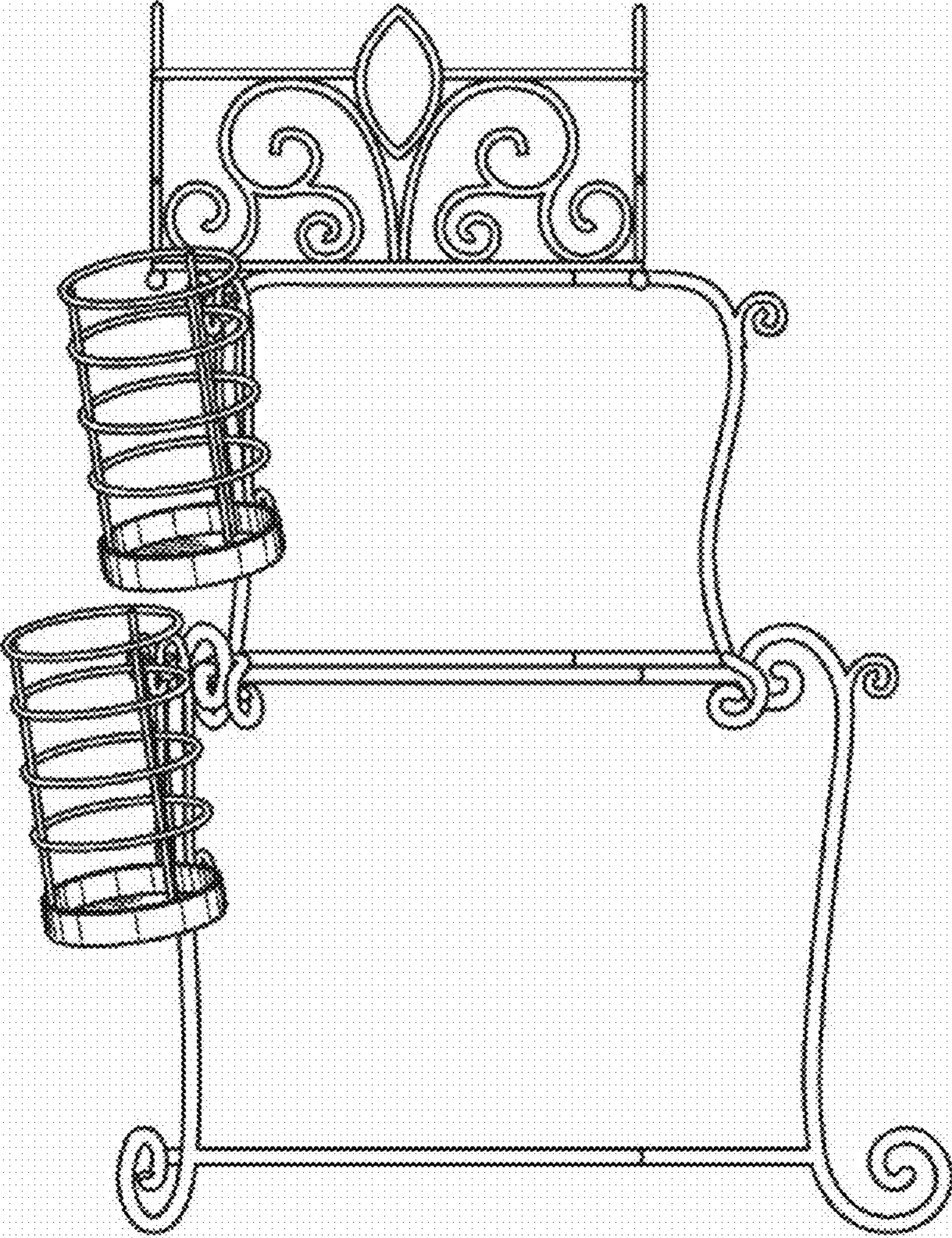


Fig. 5



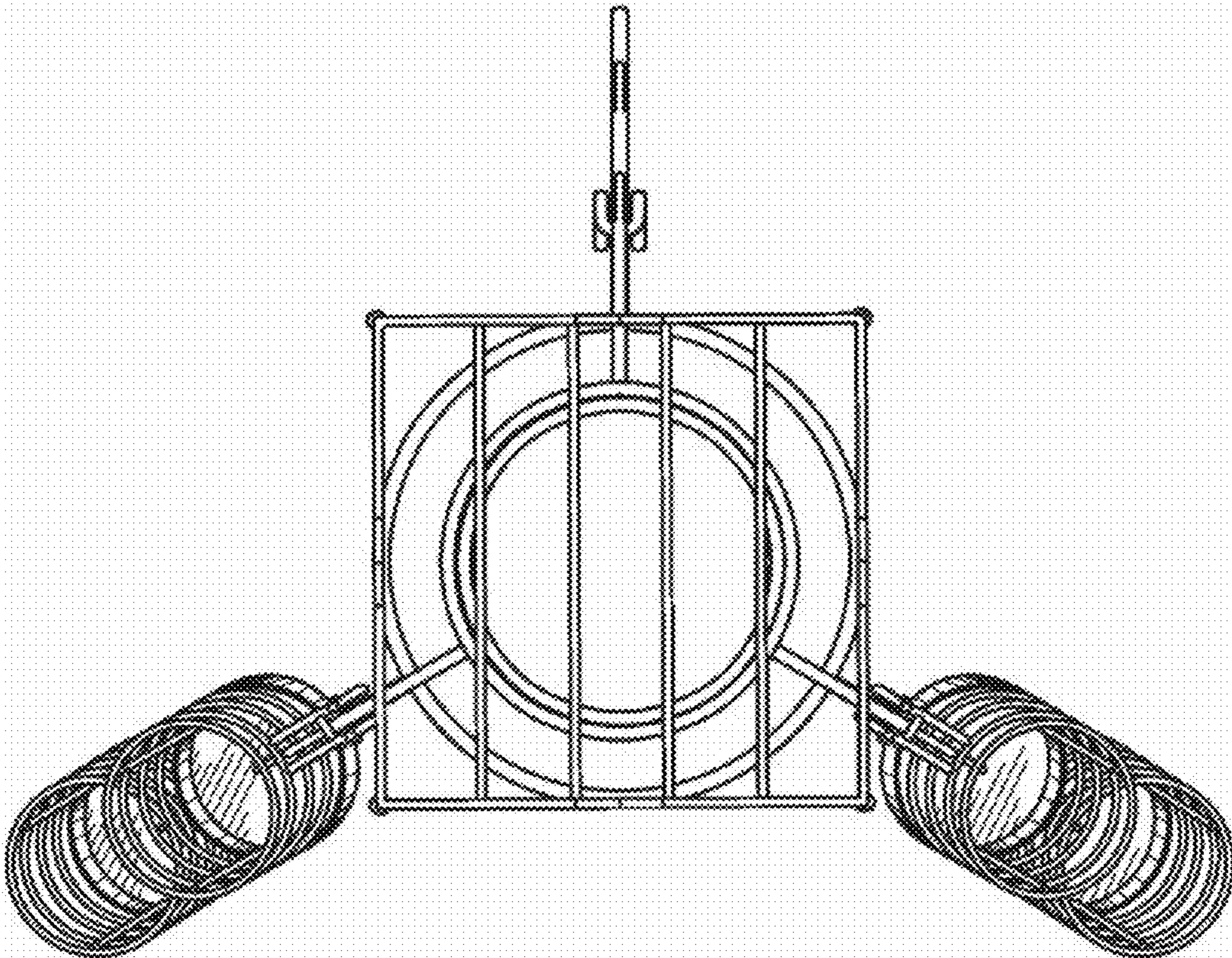


Fig. 6



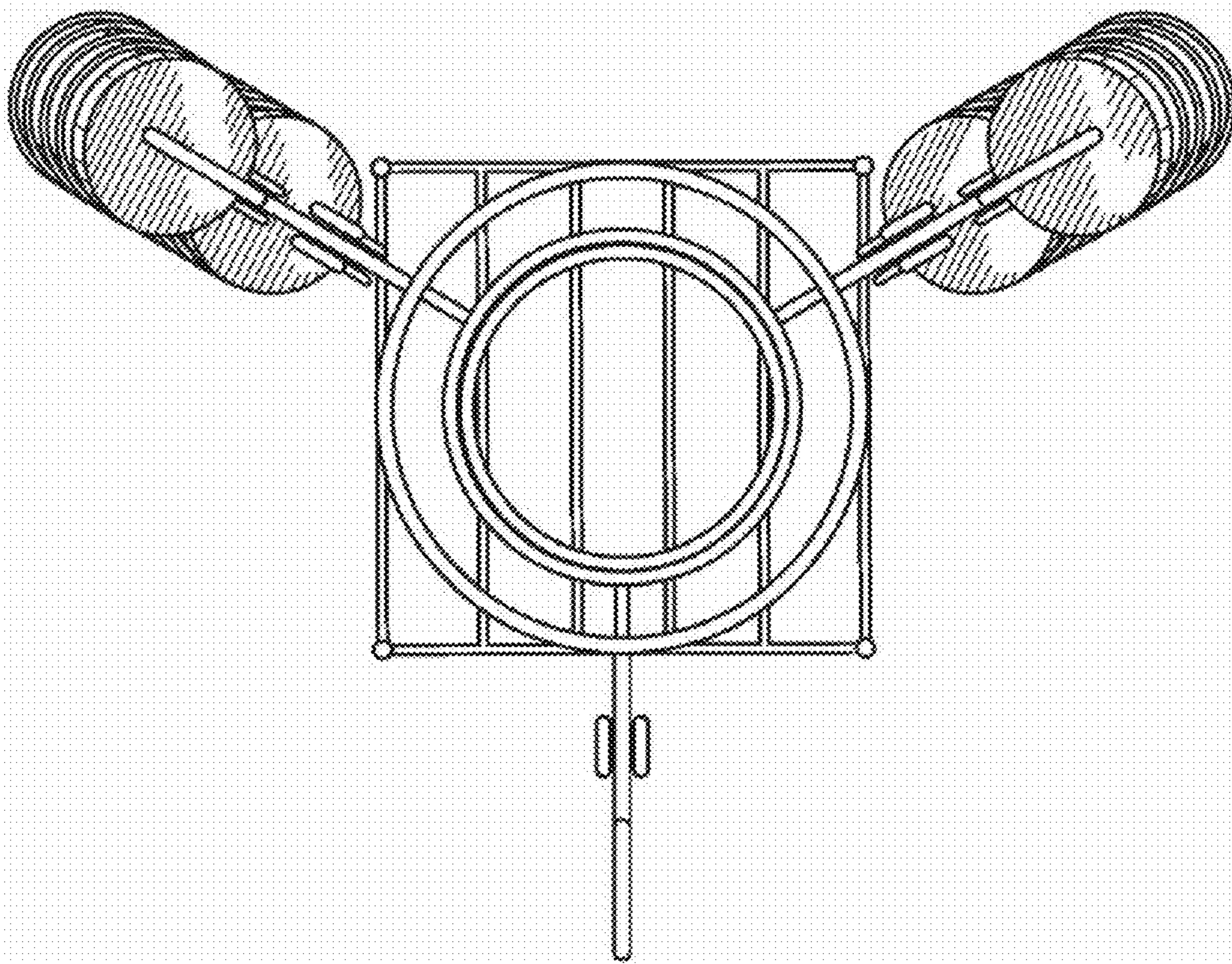


Fig. 7