



US00D719795S

(12) **United States Design Patent**  
**Khuu**

(10) **Patent No.:** **US D719,795 S**

(45) **Date of Patent:** **\*\* Dec. 23, 2014**

(54) **CHOPPING BOARD**

(71) Applicant: **Howard Khuu**, Long Island City, NY  
(US)

(72) Inventor: **Howard Khuu**, Long Island City, NY  
(US)

(\*\*) Term: **14 Years**

(21) Appl. No.: **29/478,628**

(22) Filed: **Jan. 7, 2014**

(51) **LOC (10) Cl.** ..... **07-04**

(52) **U.S. Cl.**  
USPC ..... **D7/698**

(58) **Field of Classification Search**  
USPC ..... D7/543, 549, 550.1, 551.2, 586, 629,  
D7/667, 698-699; D20/42; D32/55-57;  
99/444, 446, 449; 269/13-15, 289 R,  
269/291, 297-298, 302.1, 315  
See application file for complete search history.

(56) **References Cited**

**U.S. PATENT DOCUMENTS**

D160,480 S \* 10/1950 Crook ..... D7/551.2  
D225,764 S \* 1/1973 Duecker ..... D7/698

4,907,789 A \* 3/1990 Tice ..... 269/13  
D412,815 S \* 8/1999 Porter ..... D7/698  
D464,237 S \* 10/2002 Kaposi ..... D7/698  
D543,423 S \* 5/2007 Benson ..... D7/698  
D555,987 S \* 11/2007 Williams et al. .... D7/698  
D556,522 S \* 12/2007 Martinez et al. .... D7/698  
D571,167 S \* 6/2008 McCammon ..... D7/698  
D615,826 S \* 5/2010 Tsui ..... D7/698  
D629,268 S \* 12/2010 Shamoon ..... D7/698  
D662,146 S \* 6/2012 Podd ..... D20/42  
D690,565 S \* 10/2013 Stewart et al. .... D7/698

\* cited by examiner

*Primary Examiner* — Ricky Pham

(74) *Attorney, Agent, or Firm* — Cozen O'Connor

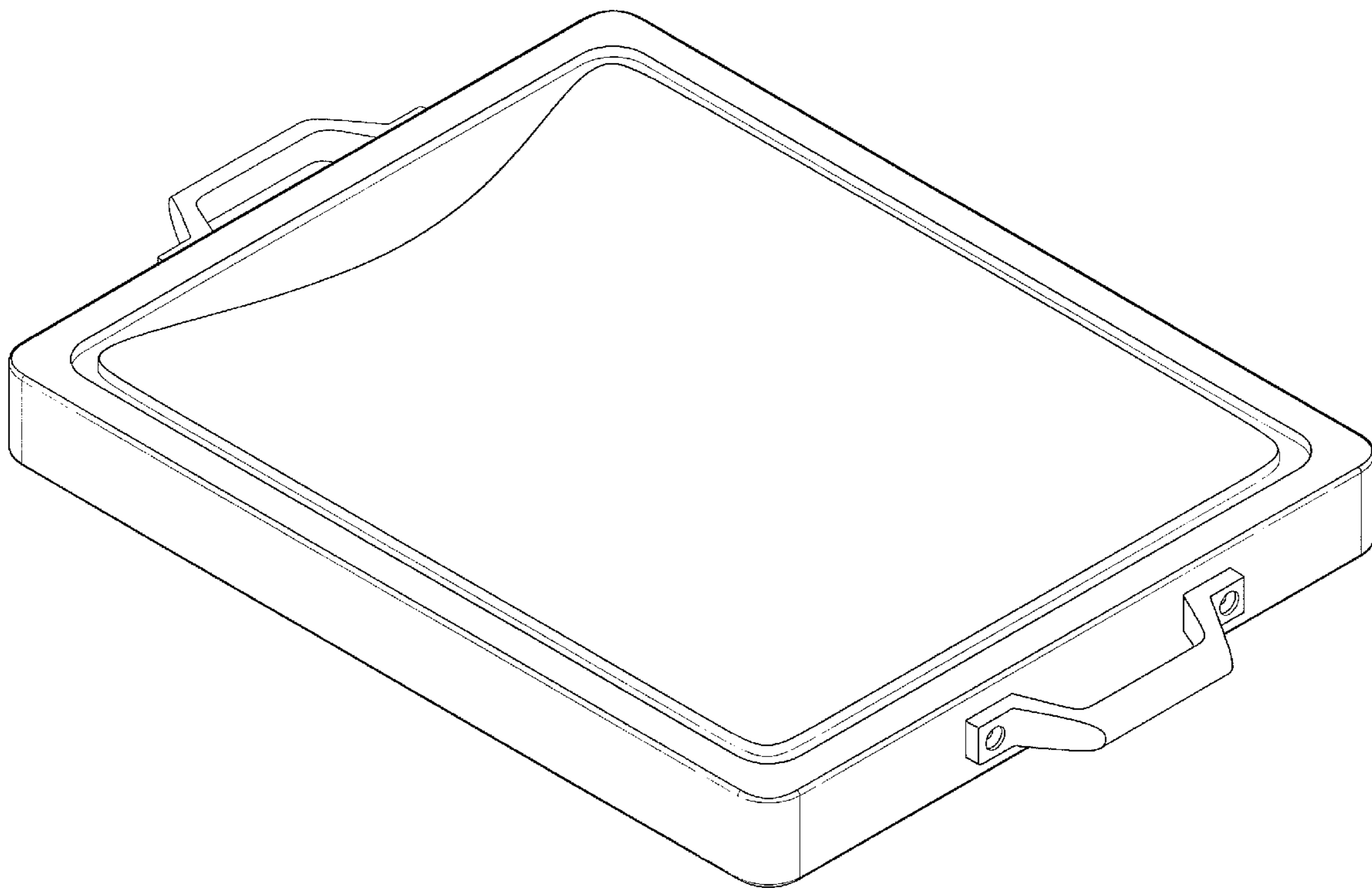
(57) **CLAIM**

The ornamental design for a chopping board, as shown and described.

**DESCRIPTION**

FIG. 1 is a top perspective view of a chopping board;  
FIG. 2 is a bottom perspective view thereof;  
FIG. 3 is a top view thereof;  
FIG. 4 is a right side view thereof, the left side view being the same; and,  
FIG. 5 is a front view thereof, the back view being the same.

**1 Claim, 4 Drawing Sheets**



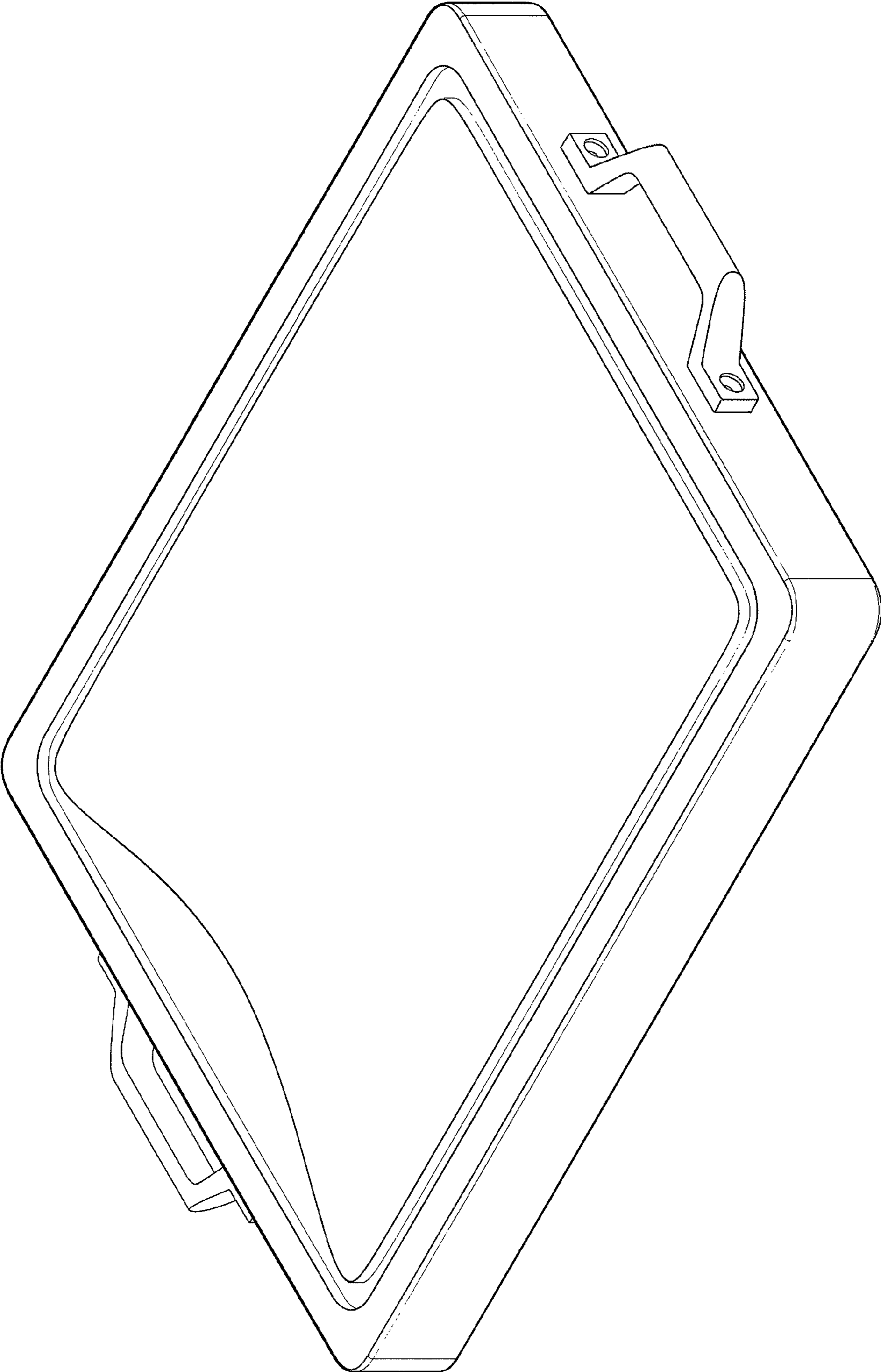


FIG. 1

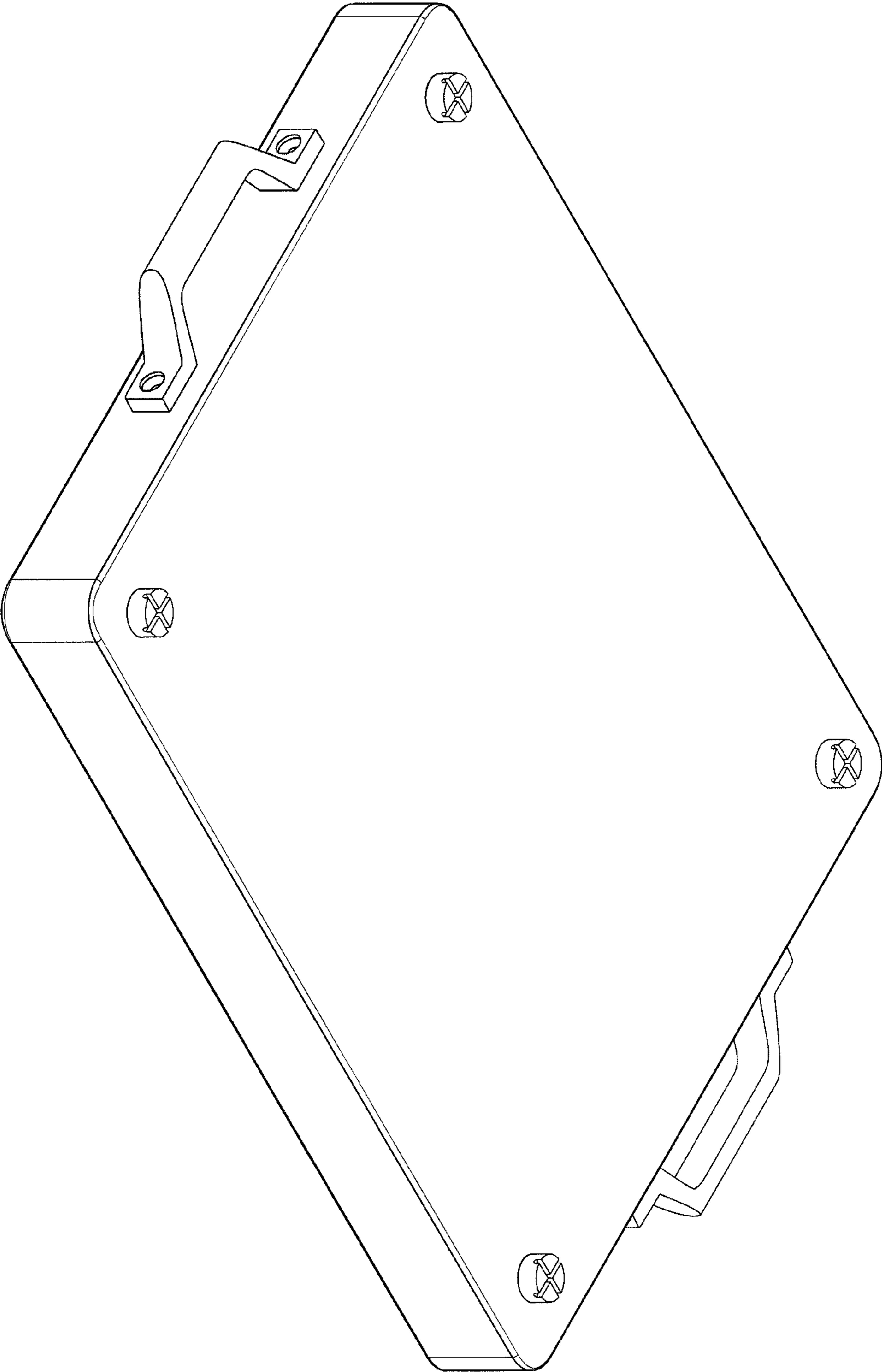


FIG. 2

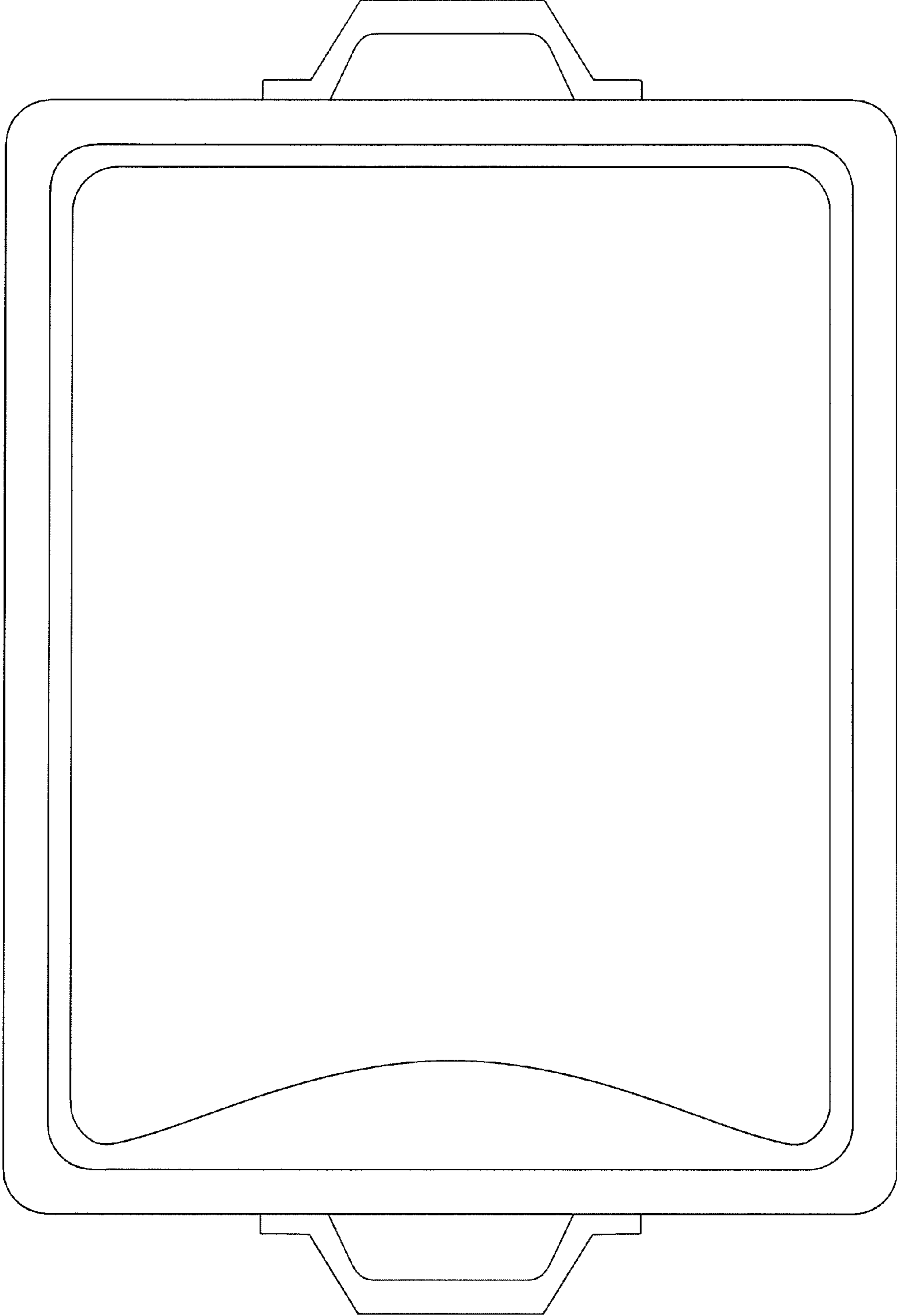


FIG. 3

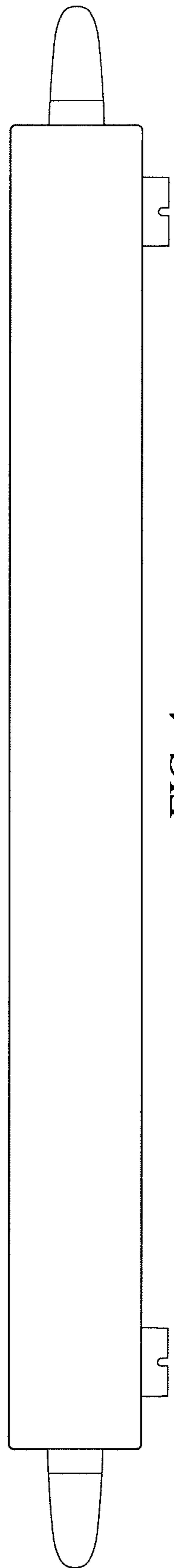


FIG. 4

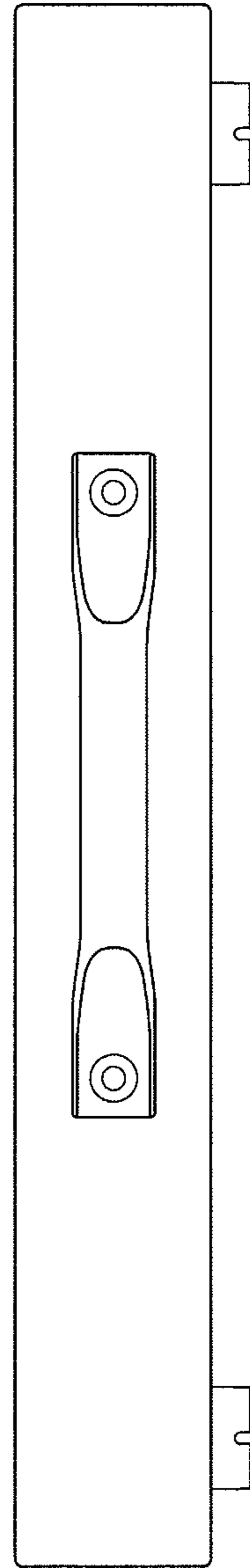


FIG. 5