



US00D719792S

(12) **United States Design Patent**
Hartshorn et al.

(10) **Patent No.:** **US D719,792 S**

(45) **Date of Patent:** **** Dec. 23, 2014**

(54) **GRATER**

(71) Applicant: **Joseph Joseph Ltd.**, London (GB)

(72) Inventors: **Richard Hartshorn**, London (GB);
Edward Goodwin, London (GB)

(73) Assignee: **Joseph Joseph Ltd.**, London (GB)

(**) Term: **14 Years**

(21) Appl. No.: **29/462,551**

(22) Filed: **Aug. 6, 2013**

(30) **Foreign Application Priority Data**

Mar. 28, 2013 (EM) 002211268-0005

(51) **LOC (10) Cl.** **07-04**

(52) **U.S. Cl.**
USPC **D7/678**

(58) **Field of Classification Search**
CPC A47J 43/25
USPC D7/678, 381-385, 412; 99/495-513;
83/669, 856, 857, 870, 699.51, 699.61,
83/932; 241/95-95, 100, 168, 169, 169.1,
241/273.1-273.4, 30, 33, 36, 37.5, 83;
100/110, 234, 98 R; 30/114, 278,
30/279.6, 280, 286, 287, 383, 389-391

See application file for complete search history.

(56) **References Cited**

U.S. PATENT DOCUMENTS

D137,796	S	*	5/1944	Morris	D7/678
D140,433	S	*	2/1945	Rosenblau	D7/678
D343,099	S	*	1/1994	So	D7/678
D448,256	S	*	9/2001	Ancona et al.	D7/678
2005/0006505	A1	*	1/2005	McNeeley et al.	241/95

* cited by examiner

Primary Examiner — Terry Wallace

(74) *Attorney, Agent, or Firm* — Millen, White, Zelano & Branigan, P.C.

(57) **CLAIM**

The ornamental design for a grater, as shown and described.

DESCRIPTION

FIG. 1 is a perspective view of the grater showing my new design.

FIG. 2 is a front view thereof.

FIG. 3 is a back view thereof.

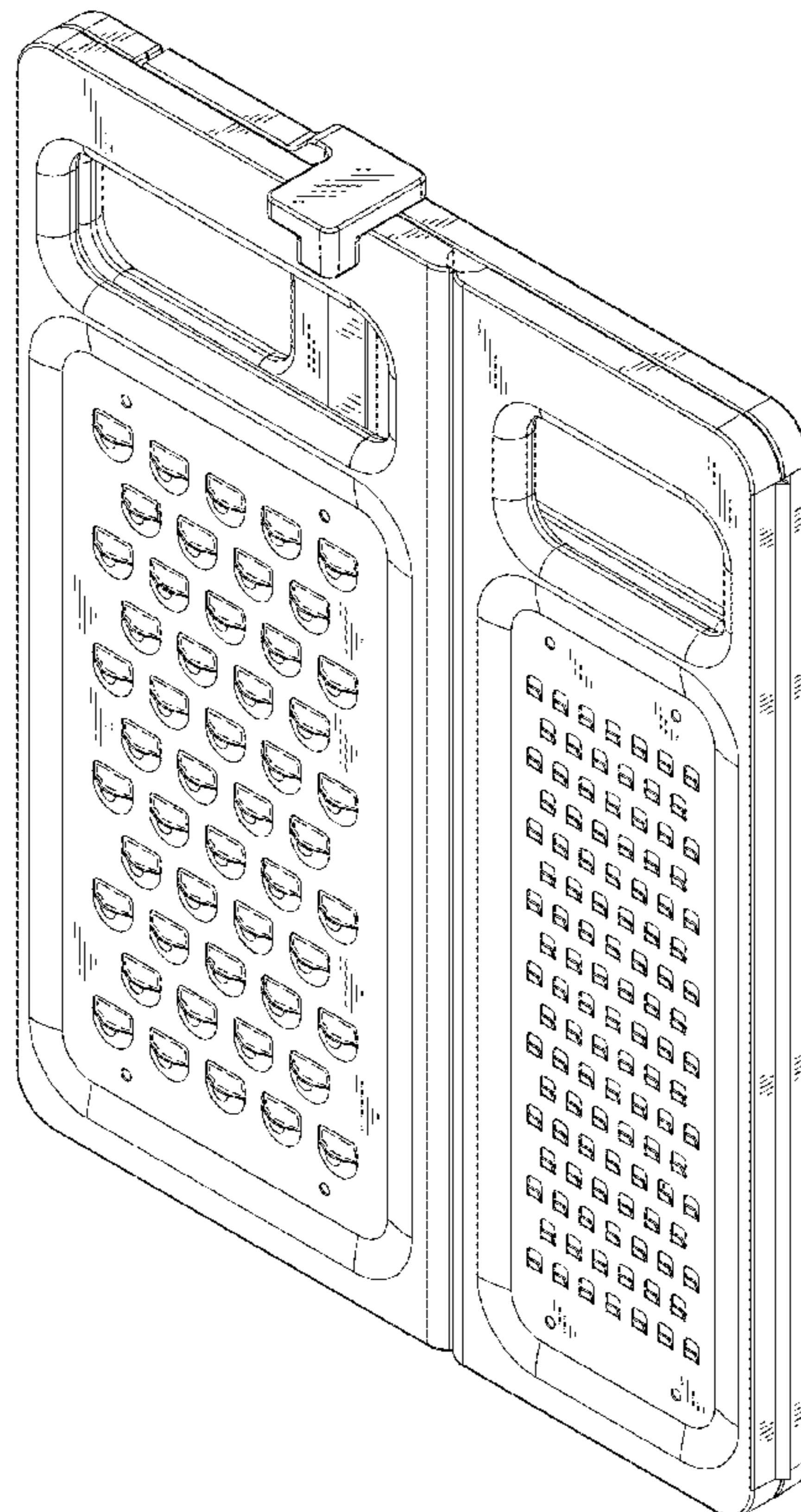
FIG. 4 is a top view thereof.

FIG. 5 is bottom view thereof.

FIG. 6 is a side view thereof; and,

FIG. 7 is another side view thereof.

1 Claim, 5 Drawing Sheets



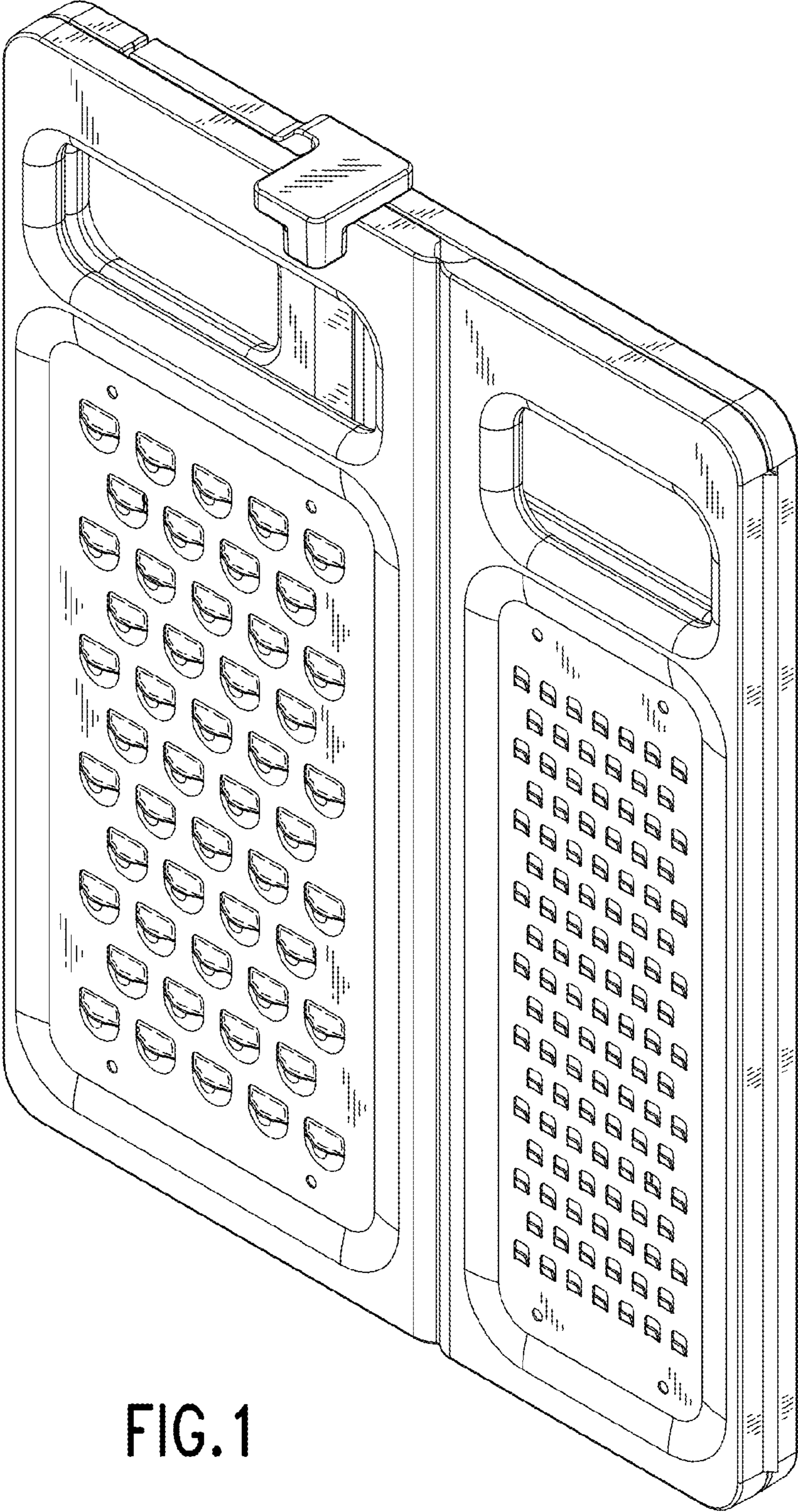


FIG. 1

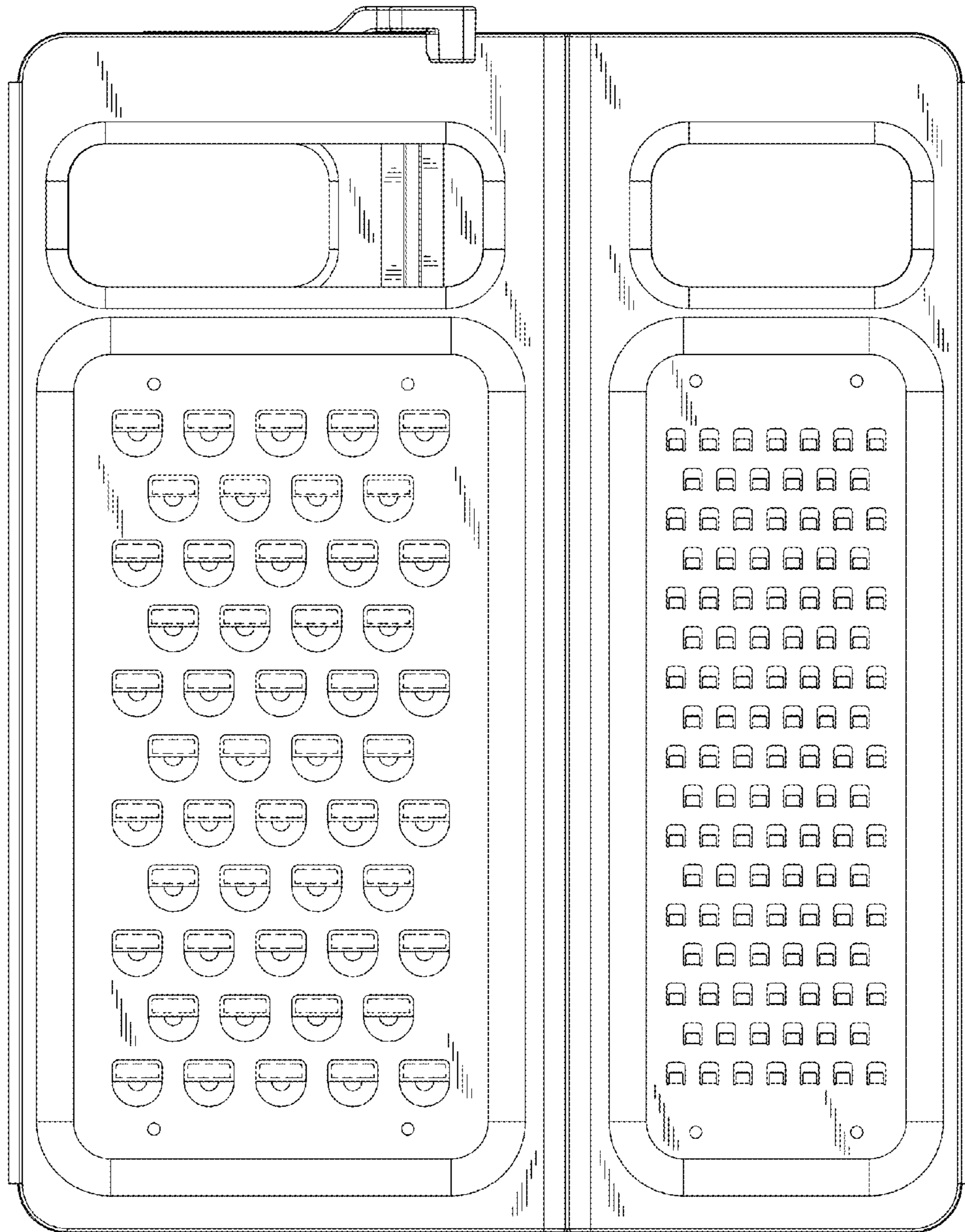


FIG.2

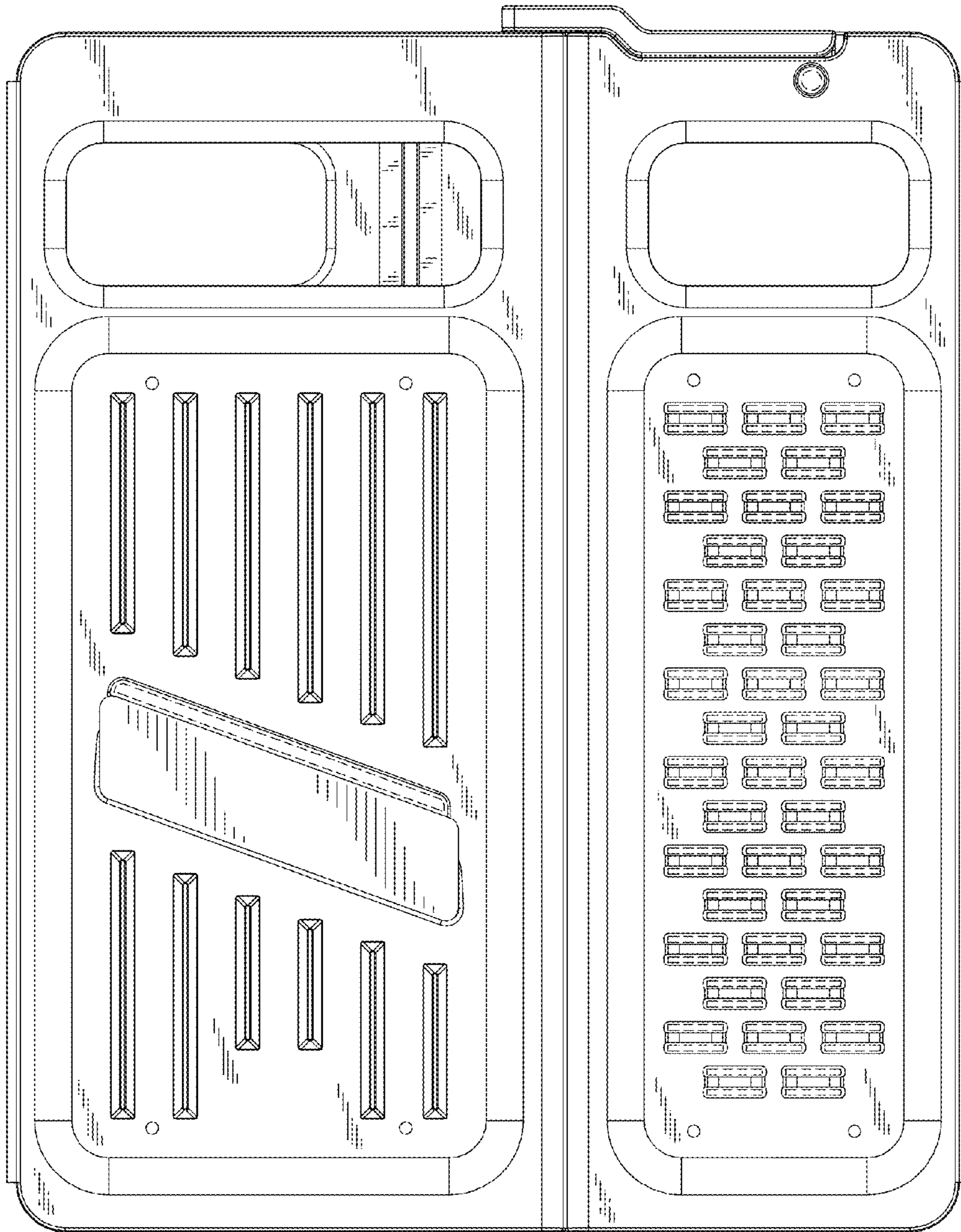


FIG.3

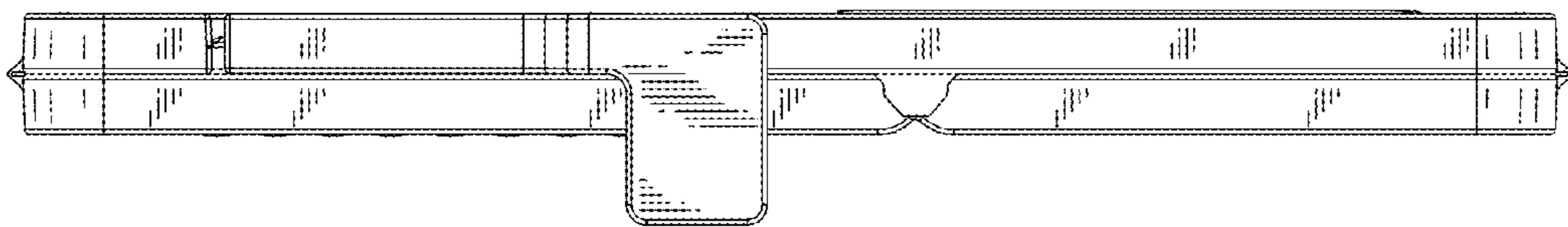


FIG. 4

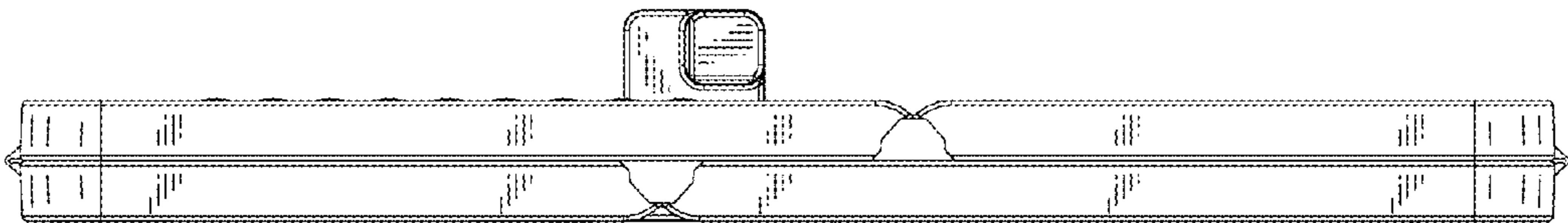


FIG. 5

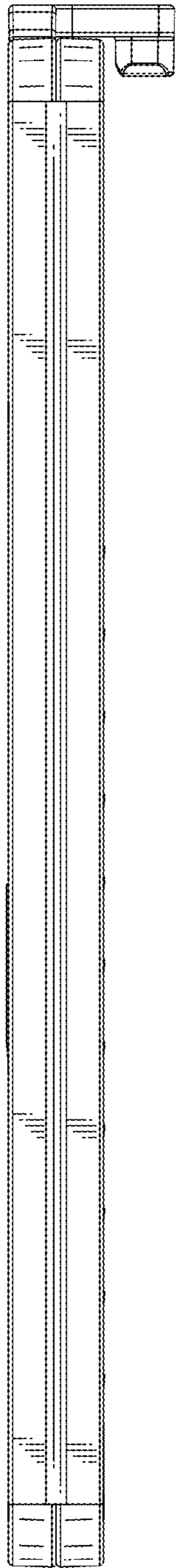


FIG.6

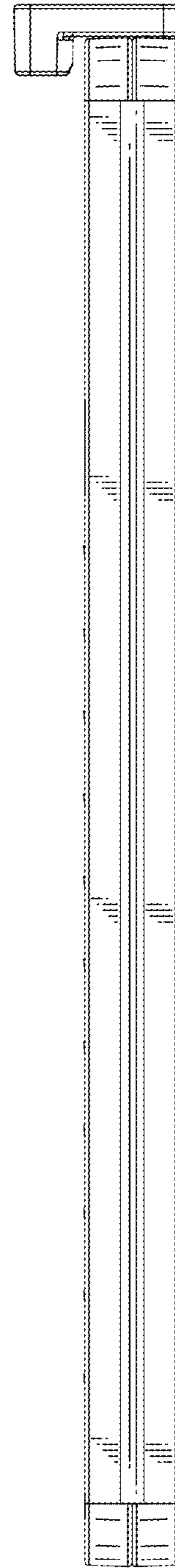


FIG.7