



US00D719790S

(12) **United States Design Patent**  
**Grcic**

(10) **Patent No.:** **US D719,790 S**  
(45) **Date of Patent:** **\*\* Dec. 23, 2014**

(54) **SPOON**

30/1, 137, 142–150, 322–329, 340,  
30/342–345; 294/25–26, 49, 55.5, 57

(71) Applicant: **Societe des Produits Nestle S.A., Vevey**  
(CH)

See application file for complete search history.

(72) Inventor: **Konstantin Grcic, Munich (DE)**

(56) **References Cited**

(73) Assignee: **Societe des Produits Nestle S.A., Vevey**  
(CH)

U.S. PATENT DOCUMENTS

(\*\*) Term: **14 Years**

(21) Appl. No.: **29/468,599**

D105,193 S *	7/1937	Barney .....	D7/658
D209,704 S *	12/1967	Siune .....	D7/653
D234,017 S *	12/1974	Chrstine et al. ....	D7/653
D249,321 S *	9/1978	Mancini .....	D7/654
D271,654 S *	12/1983	Kanoui .....	D7/667
D271,656 S *	12/1983	Kanoui .....	D7/691
D488,079 S *	4/2004	Mastroianni .....	D10/46.3
D491,419 S *	6/2004	White et al. ....	D7/653
D563,737 S *	3/2008	Shane-Schuldt .....	D7/653
D578,358 S *	10/2008	Holcomb .....	D7/653
D588,878 S *	3/2009	Sellers .....	D7/643
D593,376 S *	6/2009	Ito .....	D7/653
D617,156 S *	6/2010	Griffith .....	D7/688

(22) Filed: **Oct. 1, 2013**

(30) **Foreign Application Priority Data**

Apr. 4, 2013 (CH) ..... 139723

\* cited by examiner

(51) **LOC (10) Cl.** ..... **07-03**

*Primary Examiner* — Ricky Pham

(52) **U.S. Cl.**  
USPC ..... **D7/653**

(74) *Attorney, Agent, or Firm* — K&L Gates LLP

(58) **Field of Classification Search**  
CPC ..... A01D 9/02; A01D 9/04; A01D 9/06;  
A47G 21/00; A47G 21/004; A47G 21/005;  
A47G 21/02; A47G 21/023; A47G 21/04;  
A47G 21/06; A47G 21/08; A47J 43/28;  
A47J 43/281; A47J 43/282; A61F 13/10;  
A61J 7/0023; B25G 1/00; B25G 1/01; B25G  
1/02; B25G 3/00; B65D 75/56; B65D 75/563;  
B65D 75/566; B67B 7/00; B67B 7/724;  
B67B 7/73

(57) **CLAIM**

The ornamental design for a spoon, as shown and described.

USPC ..... D7/368, 401.2, 642–645, 653–664, 667,  
D7/669, 675–677, 683, 688–689, 691;  
D8/107, 300–301; D10/46.3;  
D22/117–118; 16/110.1, 407, 430;

**DESCRIPTION**

FIG. 1 illustrates a top perspective view of a spoon according to the present invention;

FIG. 2 illustrates a front side elevational view thereof;

FIG. 3 illustrates a back side elevational view thereof;

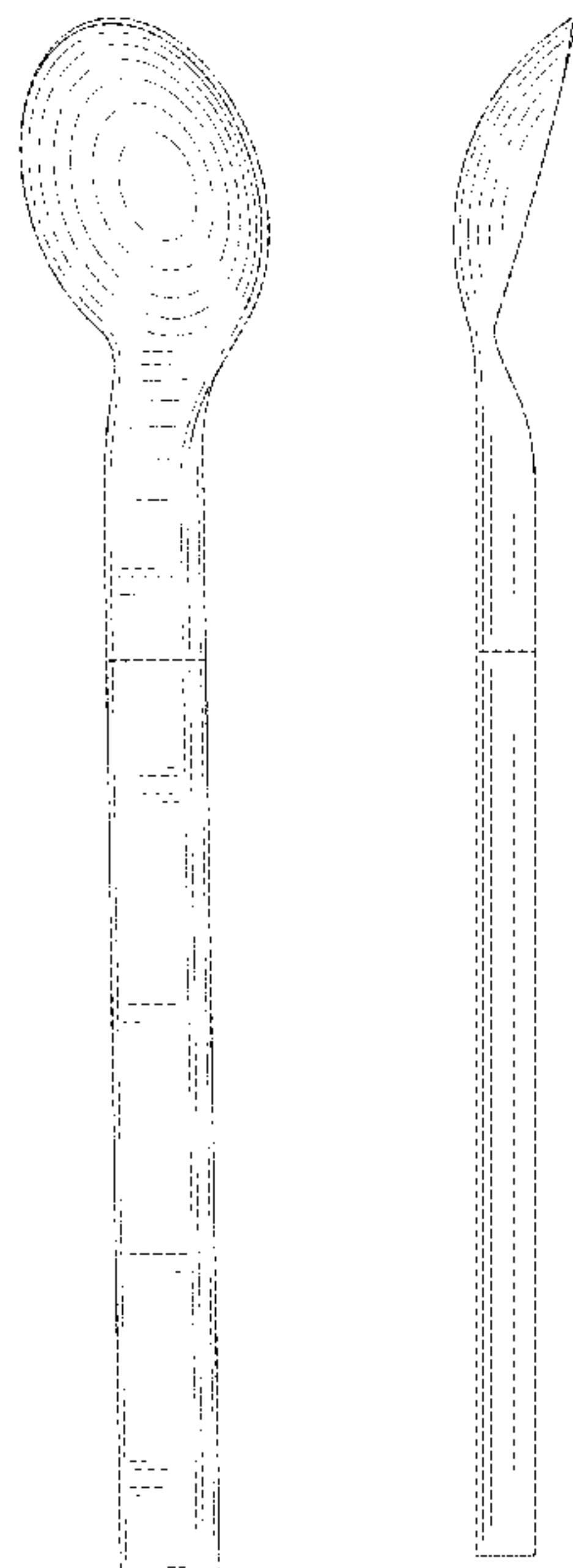
FIG. 4 illustrates a right side elevational view thereof;

FIG. 5 illustrates a left side elevational view thereof;

FIG. 6 illustrates a top plan view thereof; and,

FIG. 7 illustrates a bottom plan view thereof.

**1 Claim, 4 Drawing Sheets**



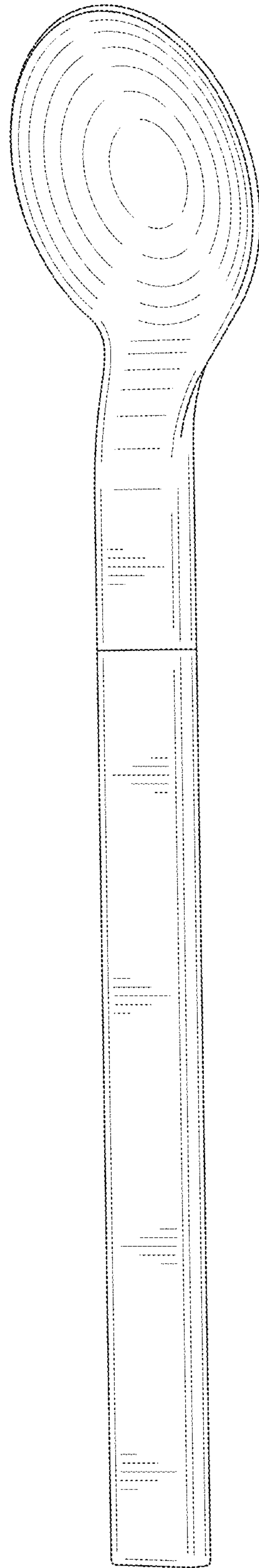


FIG. 1

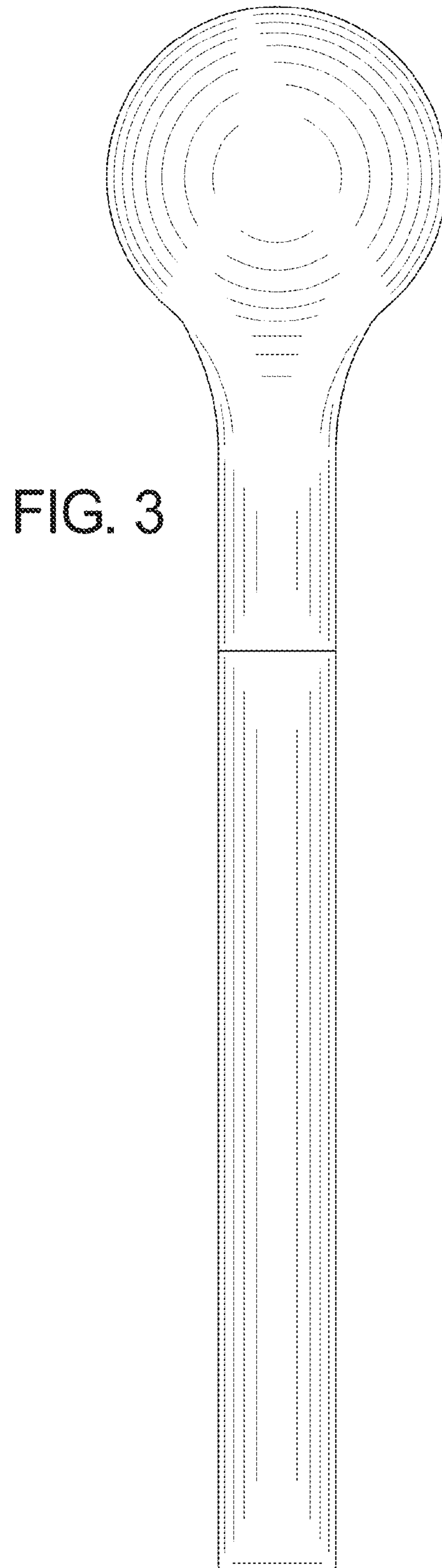
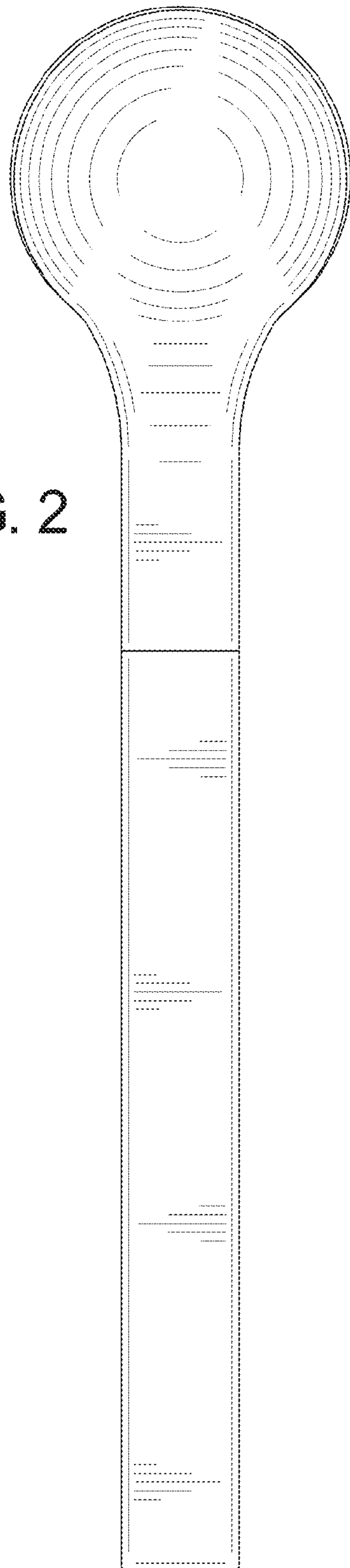


FIG. 4

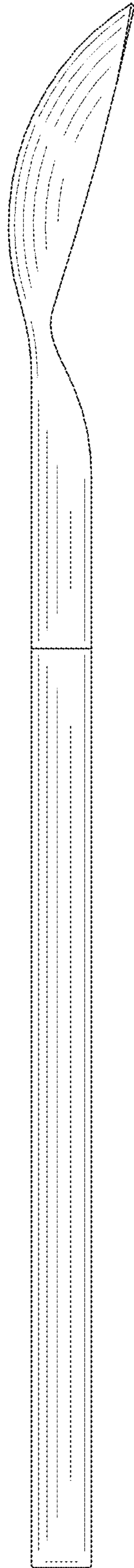


FIG. 5

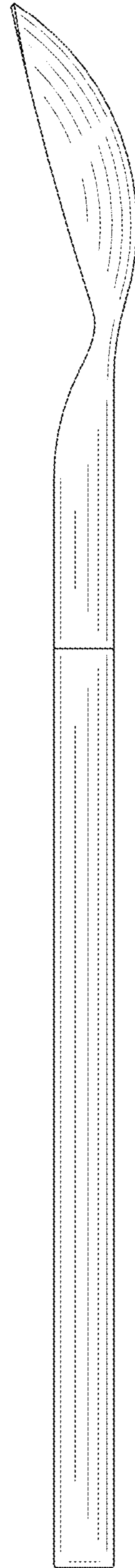


FIG. 6

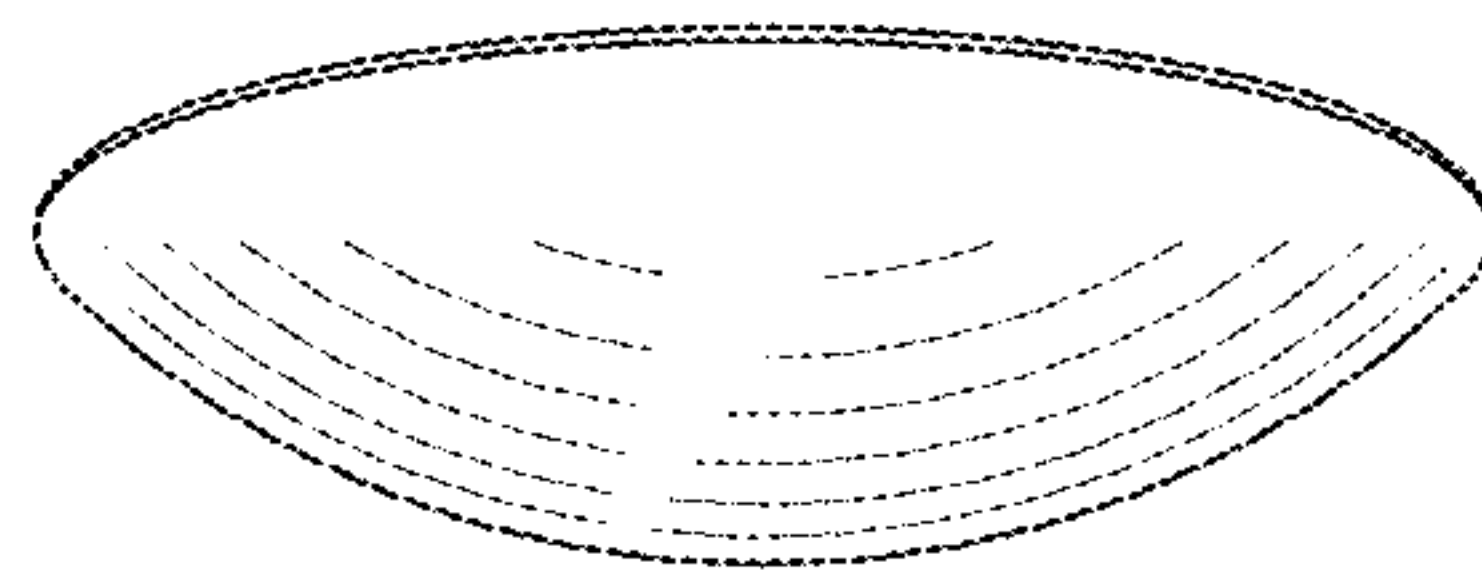


FIG. 7

