



US00D719788S

(12) **United States Design Patent**  
**Soltz et al.**

(10) **Patent No.:** **US D719,788 S**

(45) **Date of Patent:** **\*\* Dec. 23, 2014**

- (54) **SLEEVE FOR GLASS VESSEL**
- (71) Applicant: **Tali Corp.**, San Francisco, CA (US)
- (72) Inventors: **Tal Soltz**, San Francisco, CA (US);  
**Imraan Aziz**, Oakland, CA (US);  
**Michael J. Strasser**, San Francisco, CA (US);  
**Kyle Lamson**, San Francisco, CA (US)
- (73) Assignee: **Tali Corp.**, San Francisco, CA (US)
- (\*\*) Term: **14 Years**
- (21) Appl. No.: **29/462,200**
- (22) Filed: **Jul. 31, 2013**
- (51) **LOC (10) Cl.** ..... **07-06**
- (52) **U.S. Cl.**  
USPC ..... **D7/624.2**
- (58) **Field of Classification Search**  
CPC ..... B65D 81/3876  
USPC ..... D7/619.1-625, 605-608; 248/346.11,  
248/346.01, 311.2; 215/12.1, 12.2, 13.1,  
215/392-396; 62/457.1-457.9, 529, 530;  
220/915.1, 915.2, 737-741, 902, 903,  
220/592.16, 592.17, 592.2  
See application file for complete search history.

|                 |         |                    |       |          |
|-----------------|---------|--------------------|-------|----------|
| D417,593 S *    | 12/1999 | Ruegg              | ..... | D7/624.2 |
| D442,833 S *    | 5/2001  | Shuman             | ..... | D7/608   |
| D454,283 S *    | 3/2002  | Kilgore            | ..... | D7/619.1 |
| D455,320 S *    | 4/2002  | Edelstein          | ..... | D7/619.1 |
| 6,409,608 B1 *  | 6/2002  | Garske             | ..... | 473/175  |
| 6,772,891 B1    | 8/2004  | Song               |       |          |
| 6,783,020 B2    | 8/2004  | Featherston et al. |       |          |
| 7,152,750 B2    | 12/2006 | Coffey             |       |          |
| D547,611 S      | 7/2007  | Seum et al.        |       |          |
| D559,622 S      | 1/2008  | Carreno            |       |          |
| 7,337,915 B1    | 3/2008  | Weldon             |       |          |
| 7,591,393 B2    | 9/2009  | Crudgington, Jr.   |       |          |
| 2006/0169860 A1 | 8/2006  | Alzheimer          |       |          |
| 2008/0047967 A1 | 2/2008  | Brunner et al.     |       |          |
| 2009/0057257 A1 | 3/2009  | Marcus et al.      |       |          |

\* cited by examiner

*Primary Examiner* — Terry Wallace

(74) *Attorney, Agent, or Firm* — Loginov & Associates, PLLC; William A. Loginov

(57) **CLAIM**

The ornamental design for a sleeve for glass vessel, as shown and described.

**DESCRIPTION**

FIG. 1 is a perspective view of a sleeve for glass vessel, showing our new design;  
FIG. 2 is a front view of the sleeve for glass vessel;  
FIG. 3 is a rear view of the sleeve for glass vessel;  
FIG. 4 is a right side view of the sleeve for glass vessel;  
FIG. 5 is a left side view of the sleeve for glass vessel;  
FIG. 6 is a top view of the sleeve for glass vessel; and,  
FIG. 7 is a bottom view of the sleeve for glass vessel.

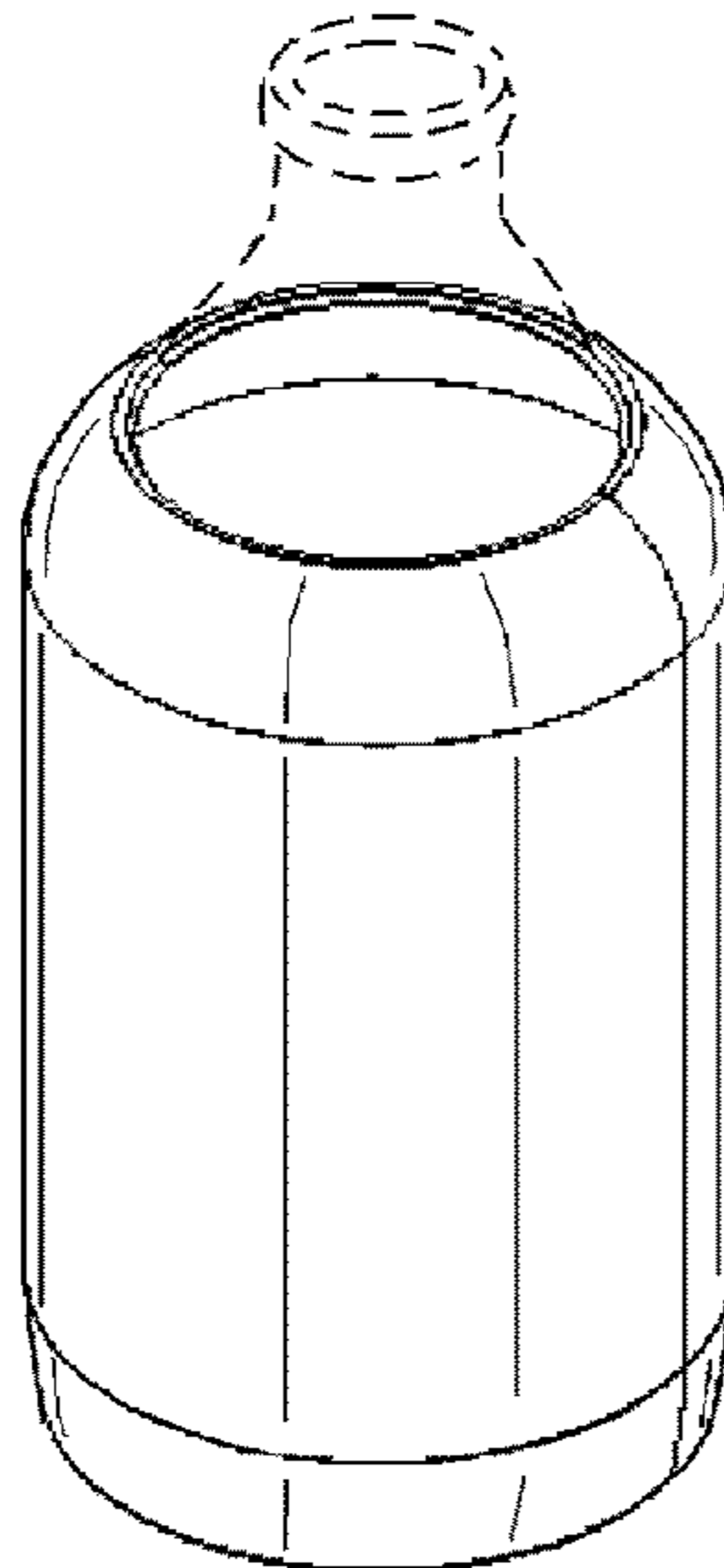
The sleeve material is an opaque or translucent, pliable polymer material. The broken line elements in all views are for illustrative and environmental purposes only and form no part of the claimed design.

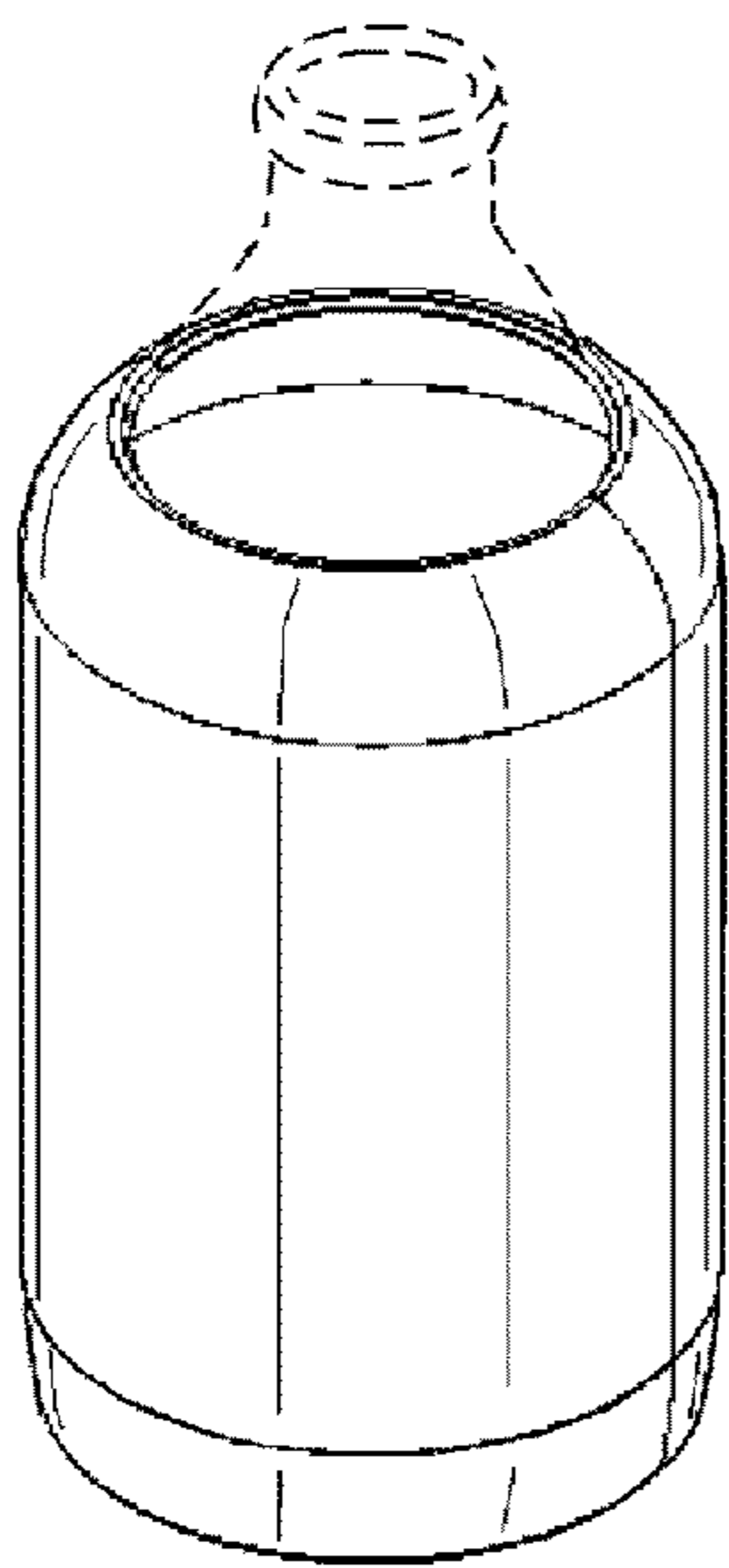
**1 Claim, 2 Drawing Sheets**

(56) **References Cited**

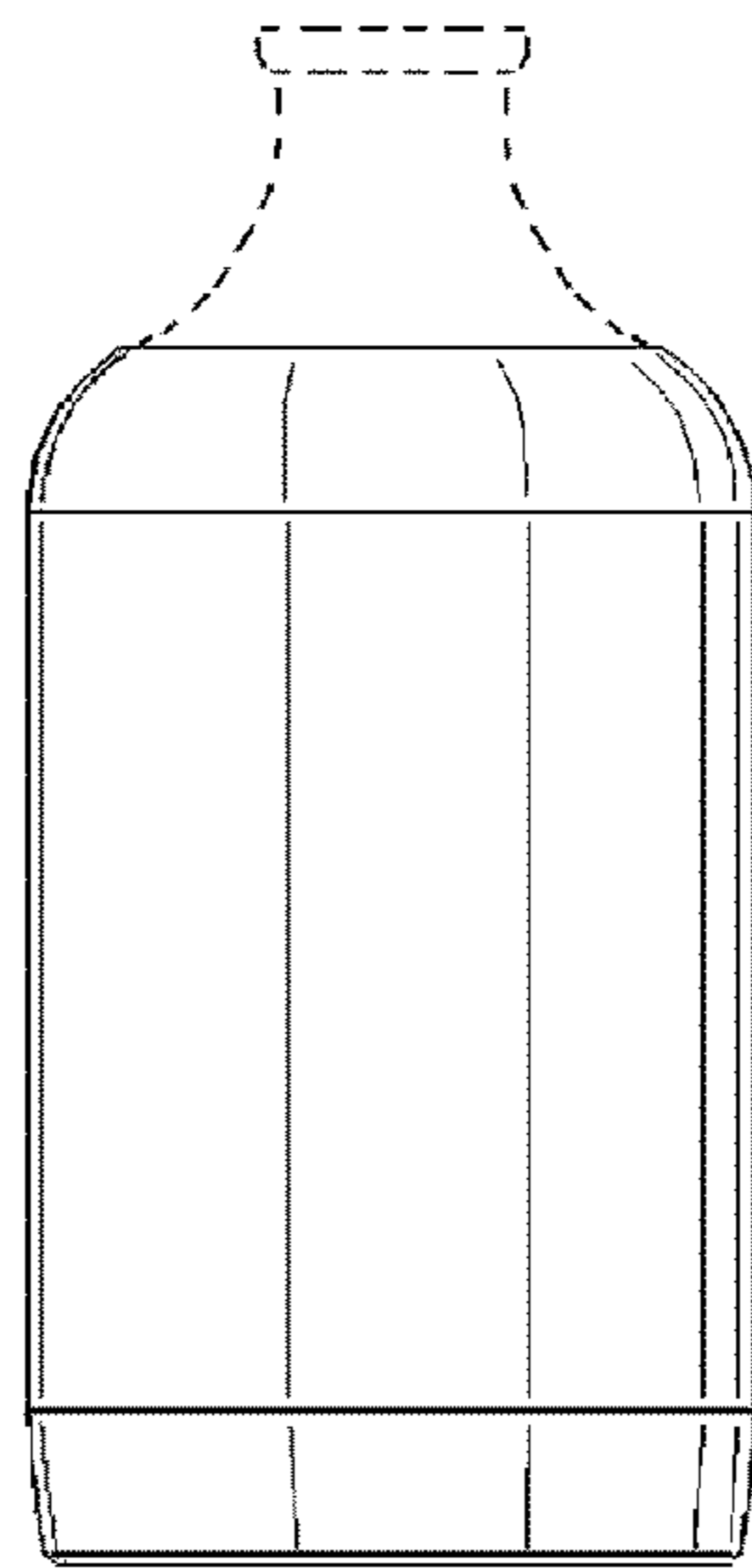
U.S. PATENT DOCUMENTS

|               |         |                 |               |
|---------------|---------|-----------------|---------------|
| 5,454,482 A   | 10/1995 | Simon           |               |
| D364,314 S    | 11/1995 | Humphrey et al. |               |
| D364,315 S    | 11/1995 | Humphrey et al. |               |
| D364,316 S    | 11/1995 | Humphrey et al. |               |
| D366,987 S    | 2/1996  | Allegre         |               |
| 5,909,821 A * | 6/1999  | Guridi          | ..... 220/739 |
| 5,927,524 A   | 7/1999  | Miller          |               |

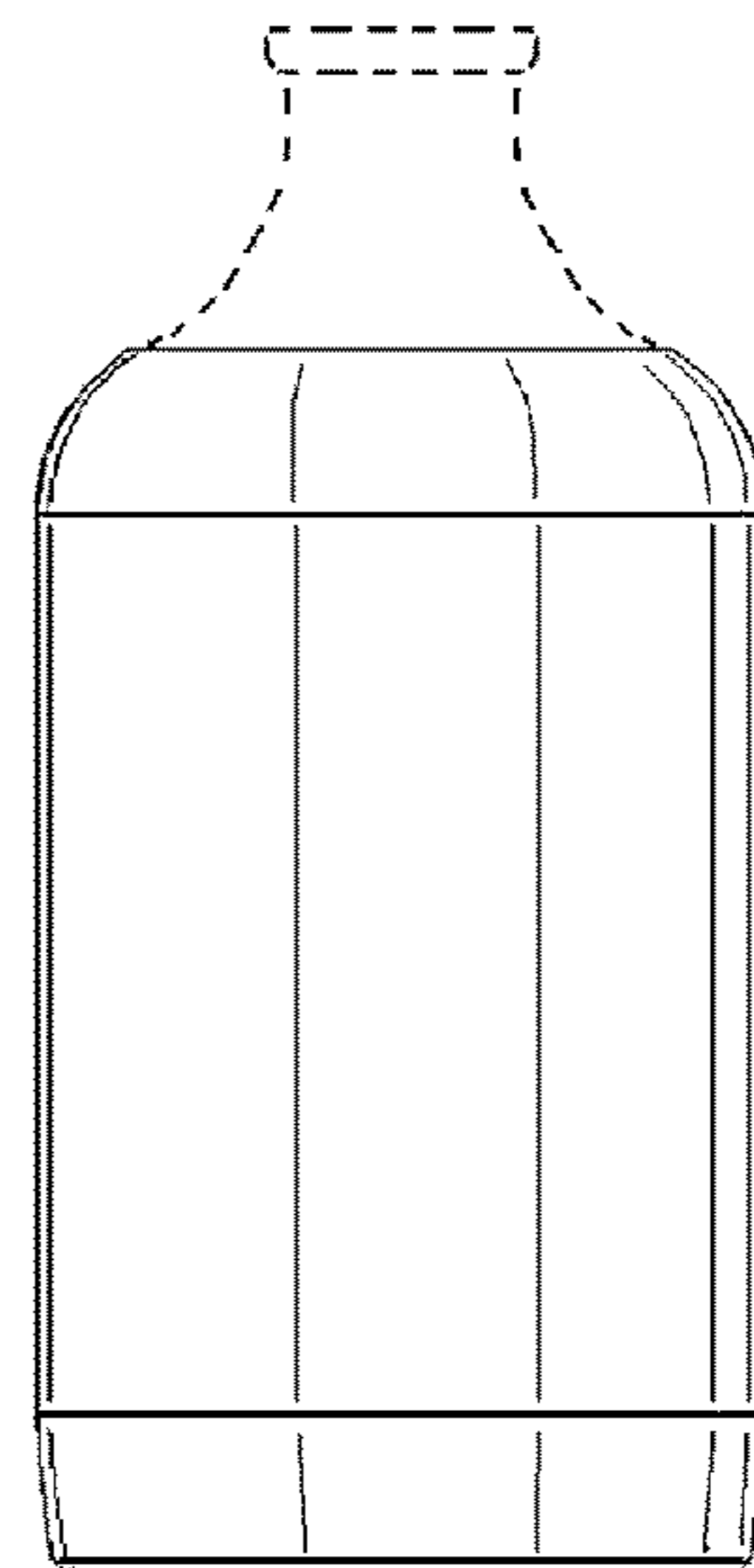




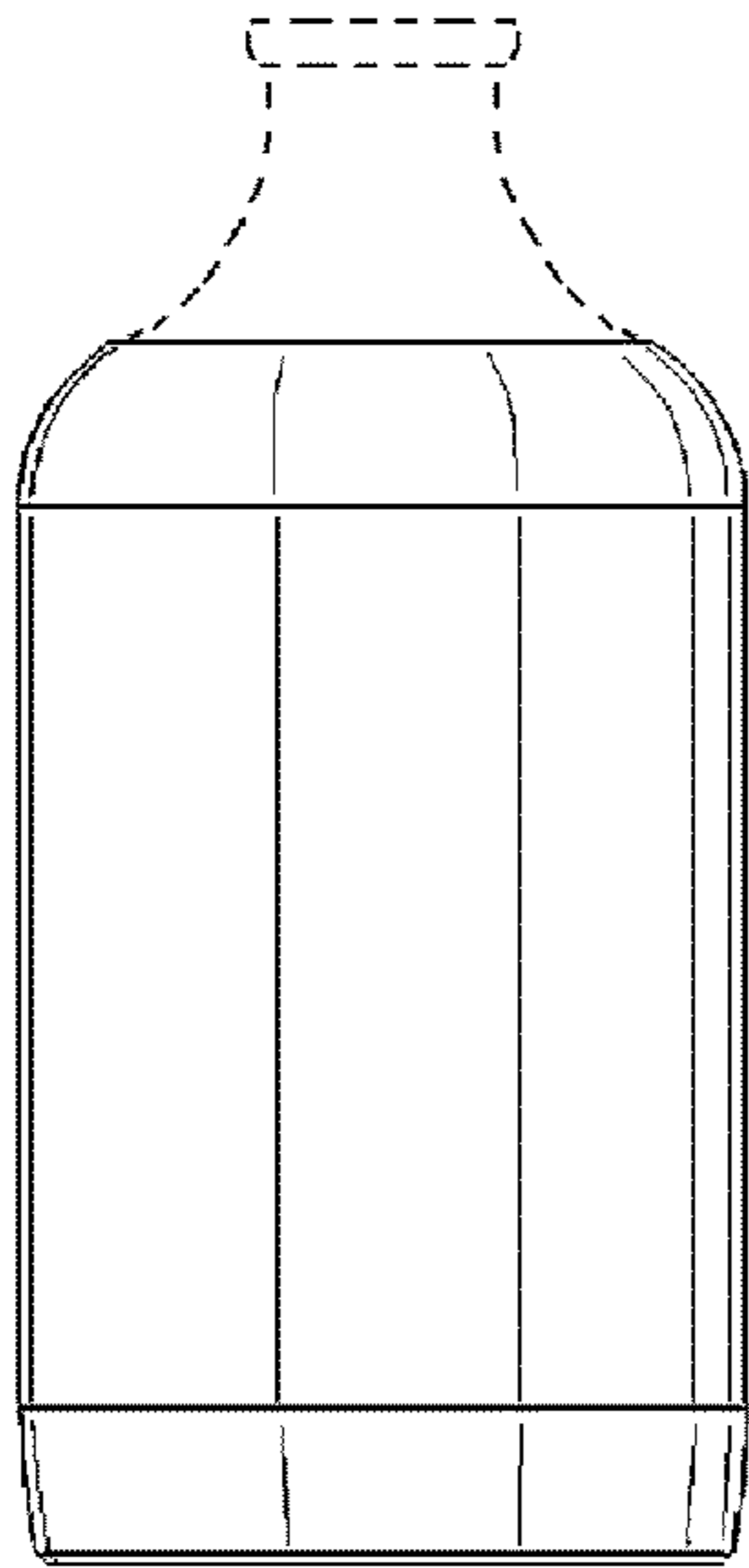
**Fig. 1**



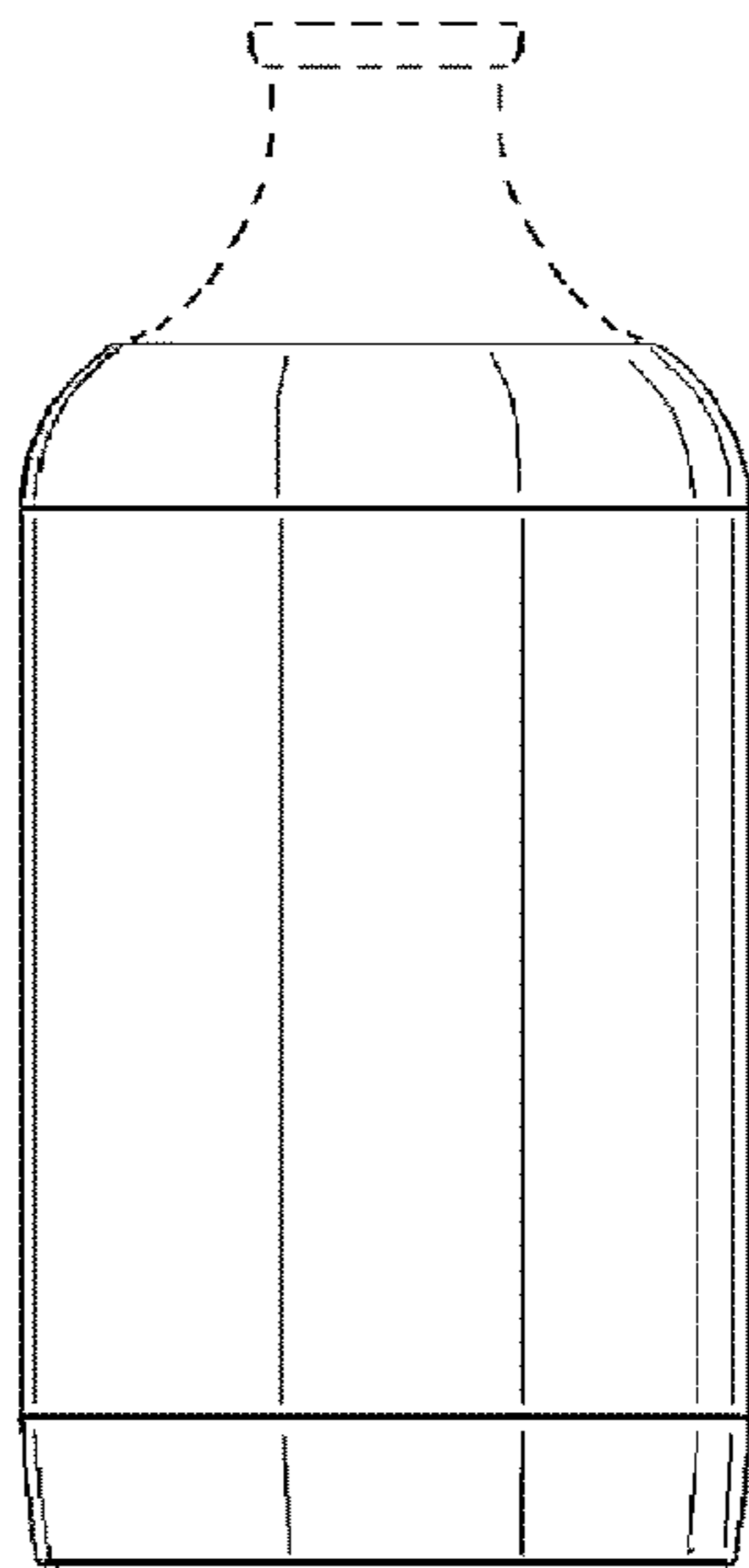
**Fig. 2**



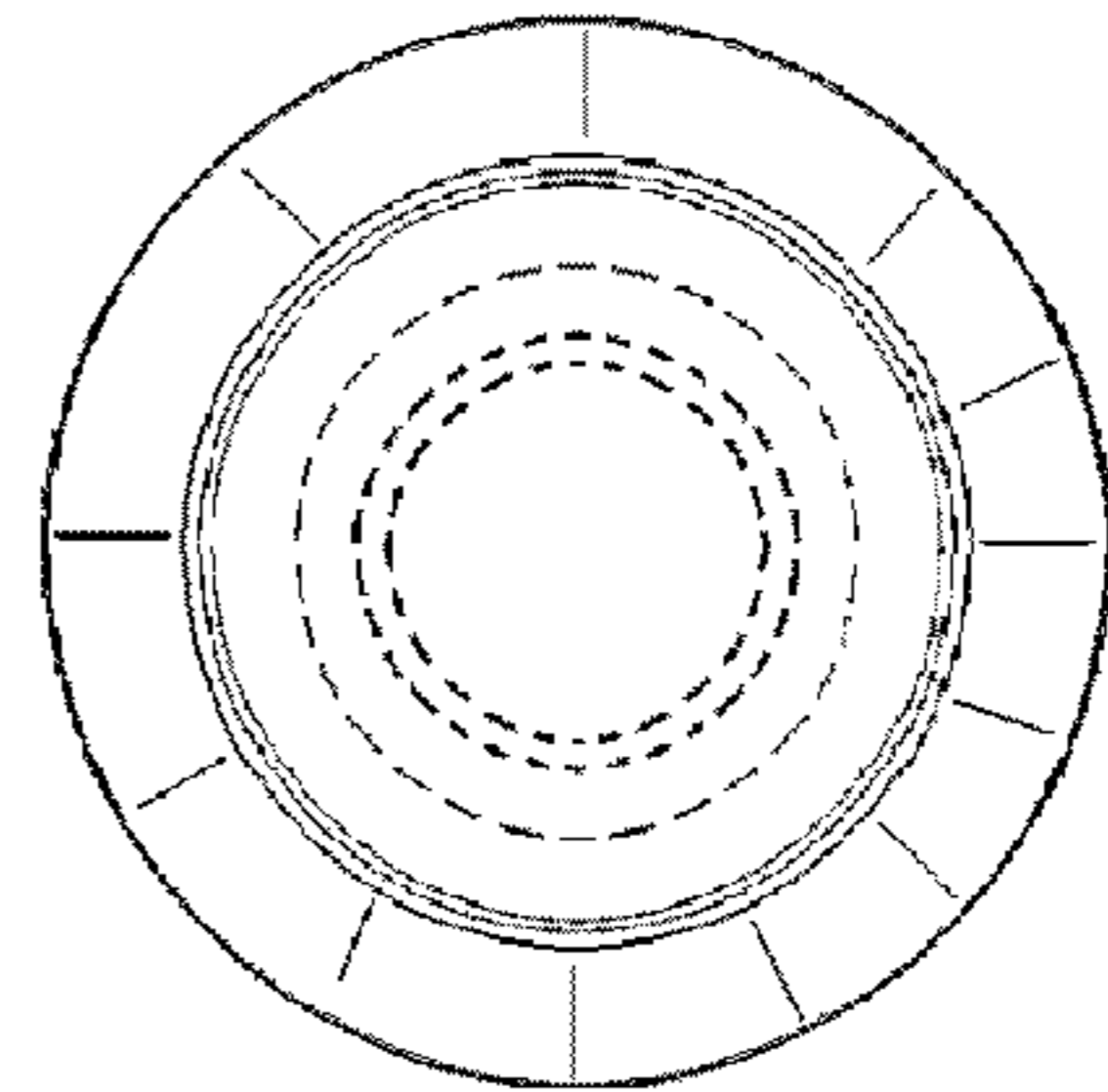
**Fig. 3**



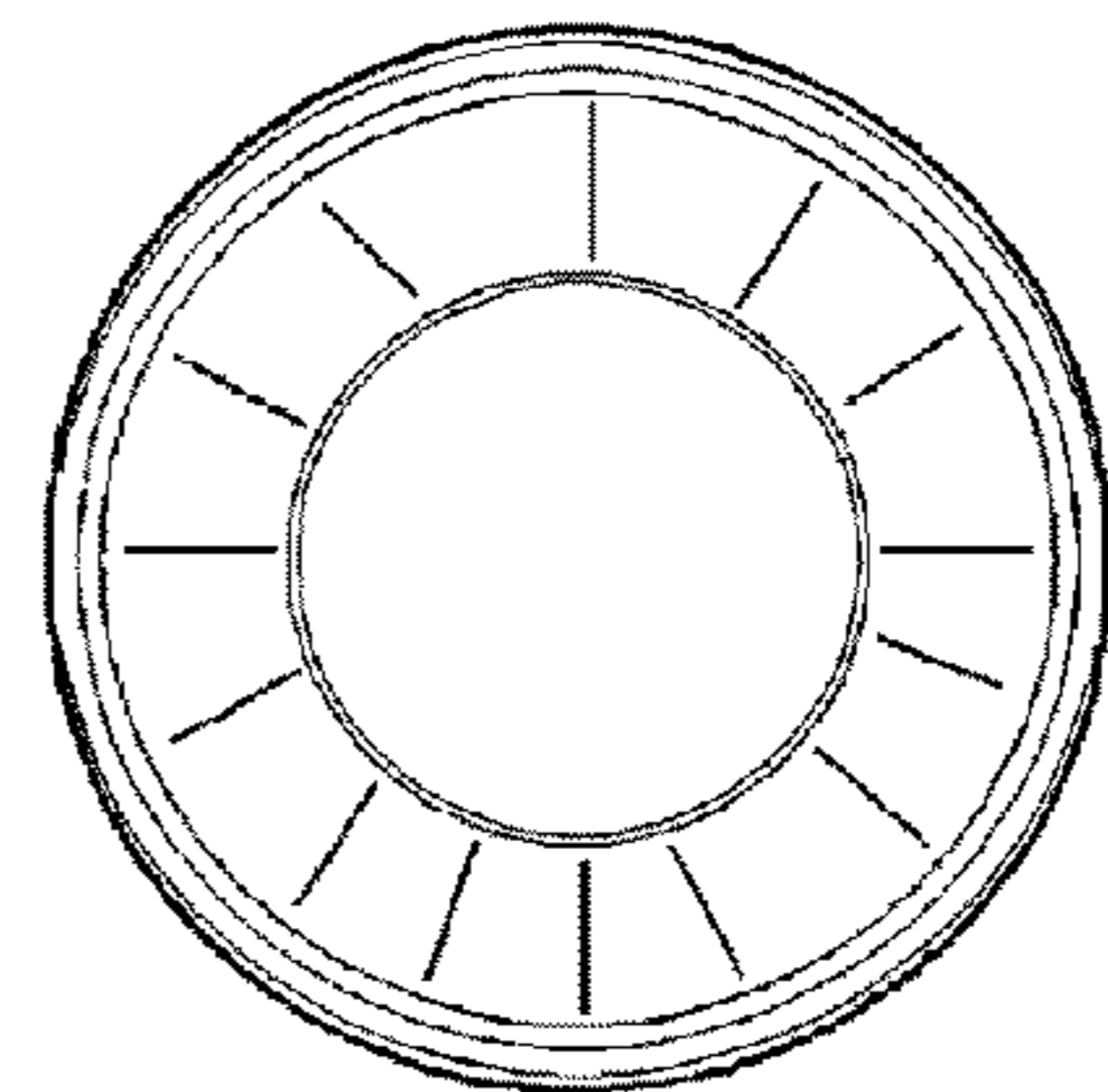
**Fig. 4**



**Fig. 5**



**Fig. 6**



**Fig. 7**