

US00D719787S

(12) **United States Design Patent**
Seegars et al.

(10) **Patent No.:** **US D719,787 S**
(45) **Date of Patent:** **** Dec. 23, 2014**

- (54) **OYSTER TABLE**
- (71) Applicants: **Benjamin Weston Seegars**, Goldsboro, NC (US); **Neal Weston Seegars**, Goldsboro, NC (US)
- (72) Inventors: **Benjamin Weston Seegars**, Goldsboro, NC (US); **Neal Weston Seegars**, Goldsboro, NC (US)
- (73) Assignee: **Southern Wildlife Company, LLC**, Goldsboro, NC (US)
- (**) Term: **14 Years**
- (21) Appl. No.: **29/444,871**
- (22) Filed: **Feb. 5, 2013**
- (51) **LOC (10) Cl.** **07-01**
- (52) **U.S. Cl.**
USPC **D7/553.6**
- (58) **Field of Classification Search**
USPC D6/677, 677.3, 685-686, 692, 707, D6/707.2; D7/368, 398, 546, 550.1, 552.2, D7/553.1, 553.6, 553.8, 602, 667; 108/25, 108/26; 220/574, 574.2; 211/126.1
See application file for complete search history.

| | | | | | |
|--------------|------|---------|-------------------|-------|----------|
| D527,224 | S * | 8/2006 | Roth et al. | | D7/540 |
| 7,191,712 | B2 | 3/2007 | Goldberg et al. | | |
| D546,127 | S * | 7/2007 | Vovan | | D7/552.2 |
| 7,290,490 | B2 | 11/2007 | Goldberg et al. | | |
| D568,112 | S * | 5/2008 | Epstein | | D7/554.2 |
| D597,261 | S * | 7/2009 | Dye et al. | | D30/123 |
| D603,633 | S * | 11/2009 | Davis | | D6/511 |
| D605,470 | S * | 12/2009 | Sluiman | | D7/553.6 |
| D624,354 | S * | 9/2010 | Odeh | | D7/359 |
| D632,129 | S * | 2/2011 | Chen | | D7/356 |
| 7,934,449 | B2 * | 5/2011 | Anderson et al. | | 99/426 |
| 8,342,128 | B2 * | 1/2013 | Rocker | | 119/61.2 |
| D682,037 | S * | 5/2013 | Cloutier | | D7/554.2 |
| D691,857 | S * | 10/2013 | Muspratt-Williams | | |
| | | | et al. | | D7/553.6 |
| D698,940 | S * | 2/2014 | Pribenszky | | D24/224 |
| D700,478 | S * | 3/2014 | Simmons | | D7/553.8 |
| 2007/0056482 | A1 | 3/2007 | Robinson et al. | | |
| 2007/0125279 | A1 | 6/2007 | Fryoux et al. | | |
| 2008/0041278 | A1 | 2/2008 | Goldberg et al. | | |
| 2008/0127417 | A1 | 6/2008 | Harty | | |
| 2010/0236453 | A1 | 9/2010 | Vegas | | |

* cited by examiner

Primary Examiner — Kelley Donnelly
(74) *Attorney, Agent, or Firm* — Withrow & Terranova, PLLC

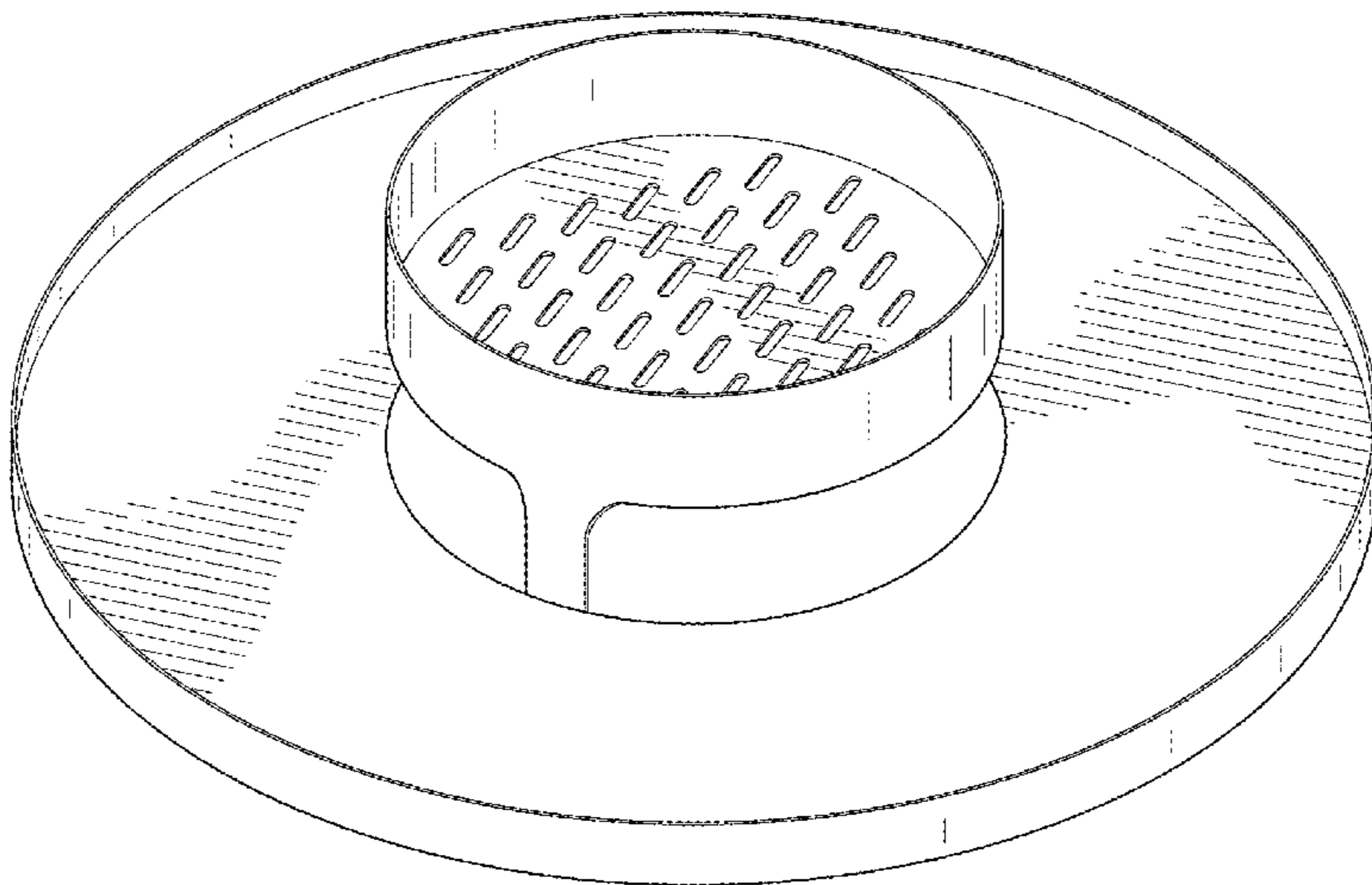
(57) **CLAIM**
The ornamental design for an oyster table, as shown and described.

- (56) **References Cited**
U.S. PATENT DOCUMENTS
- 1,119,255 A * 12/1914 Durkin 209/397
- 1,579,823 A 4/1926 Langguth
- 2,034,478 A * 3/1936 Levy 62/457.6
- 4,747,352 A 5/1988 Guidry et al.
- 5,572,934 A 11/1996 Aldridge et al.
- 5,913,269 A * 6/1999 Franssen et al. 108/25
- D419,334 S 1/2000 Talbot et al.
- 6,321,662 B1 * 11/2001 Fraise 108/25
- D486,991 S * 2/2004 Lee D7/357
- 6,745,702 B2 6/2004 Goldberg et al.
- 6,802,263 B1 10/2004 Kolb
- 6,880,470 B2 4/2005 Sidor et al.

DESCRIPTION

FIG. 1 is a top perspective view of an exemplary oyster table; FIG. 2 is a bottom perspective view of the oyster table of FIG. 1; FIG. 3 is a top view of the oyster table of FIG. 1; FIG. 4 is a bottom view of the oyster table of FIG. 1; FIG. 5 is a front side view of the oyster table of FIG. 1; FIG. 6 is a rear side view of the oyster table of FIG. 1; FIG. 7 is a right side view of the oyster table of FIG. 1; and, FIG. 8 is a left side view of the oyster table of FIG. 1.

1 Claim, 6 Drawing Sheets



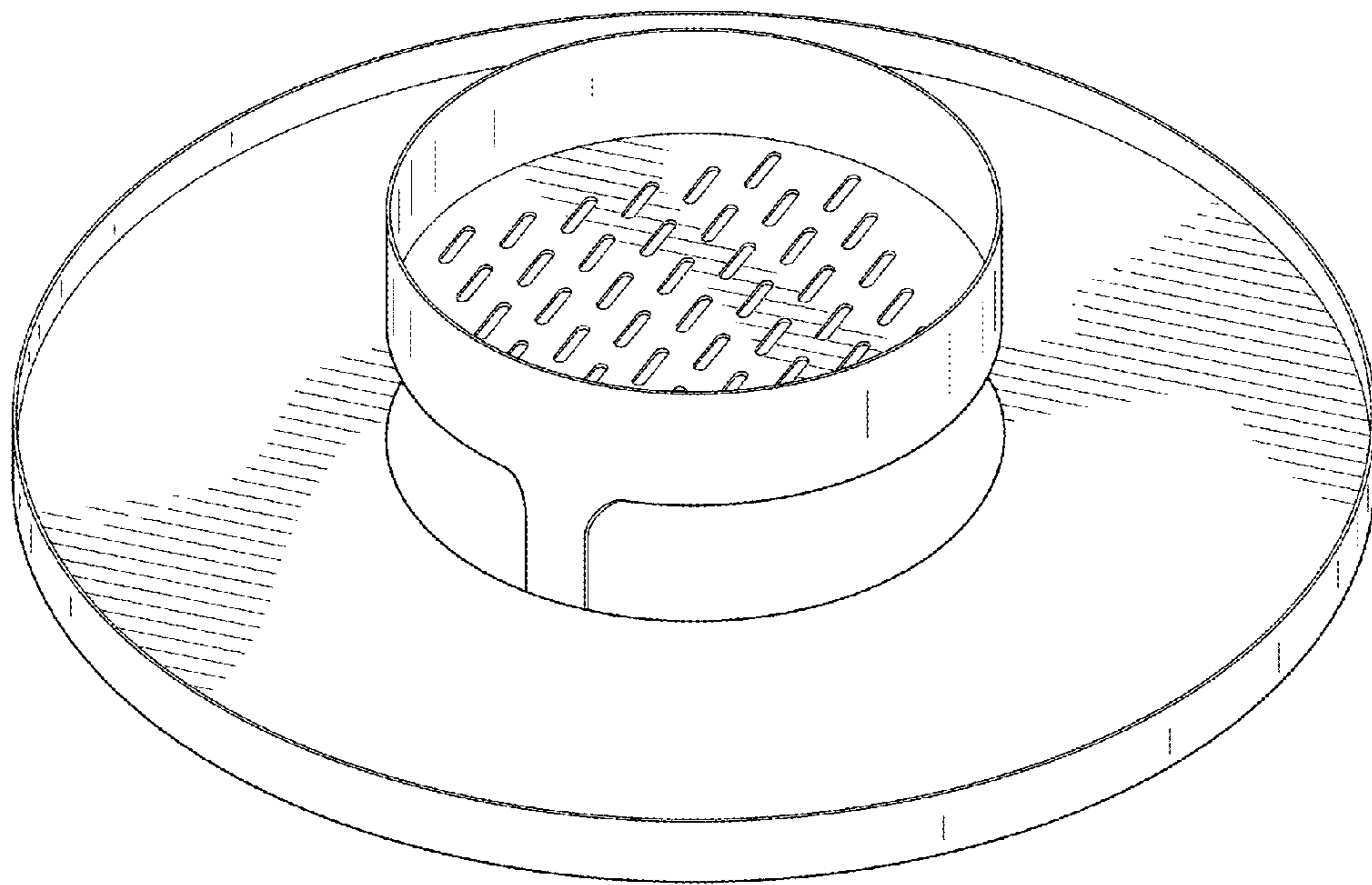


FIG. 1

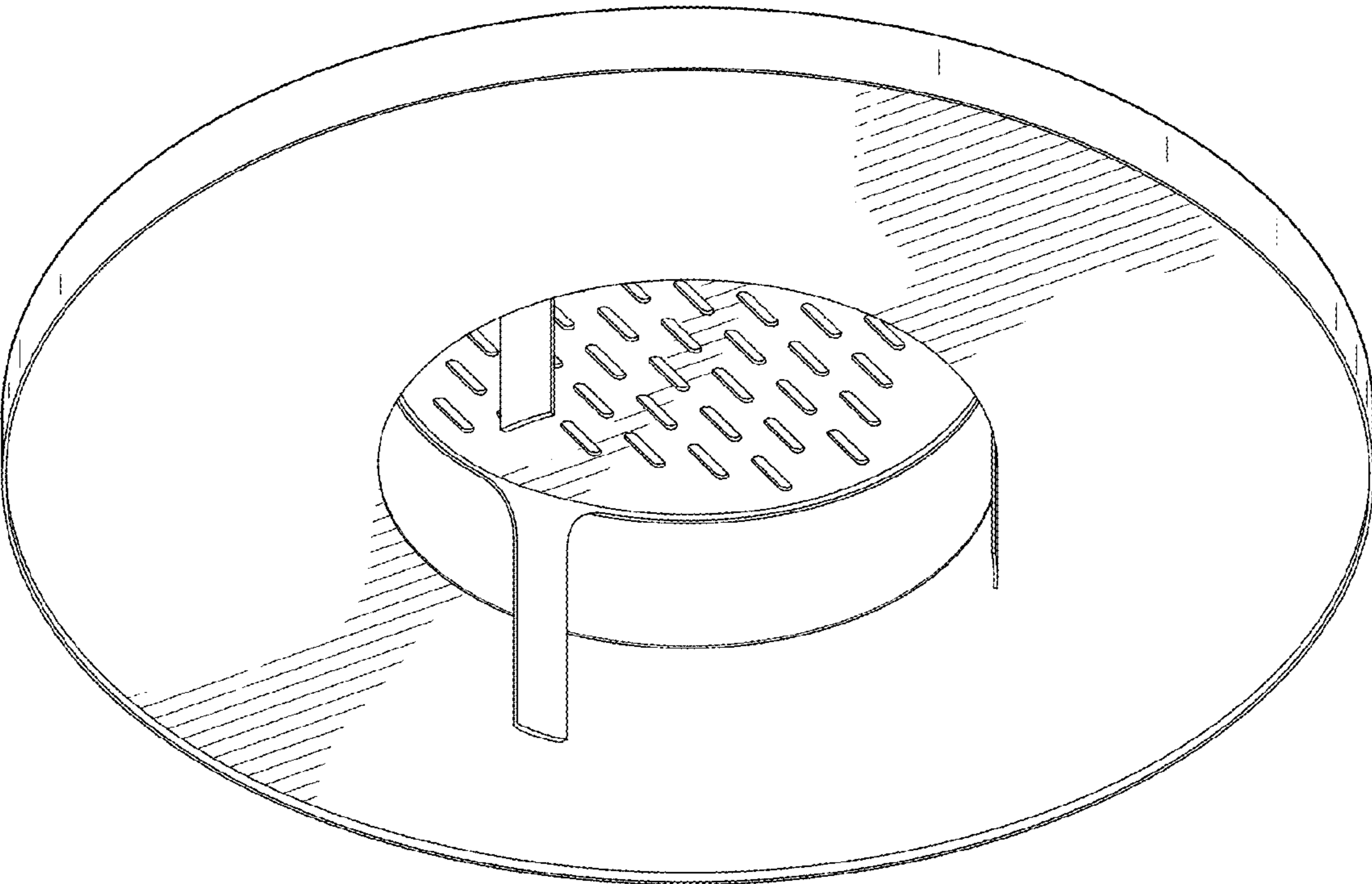


FIG. 2

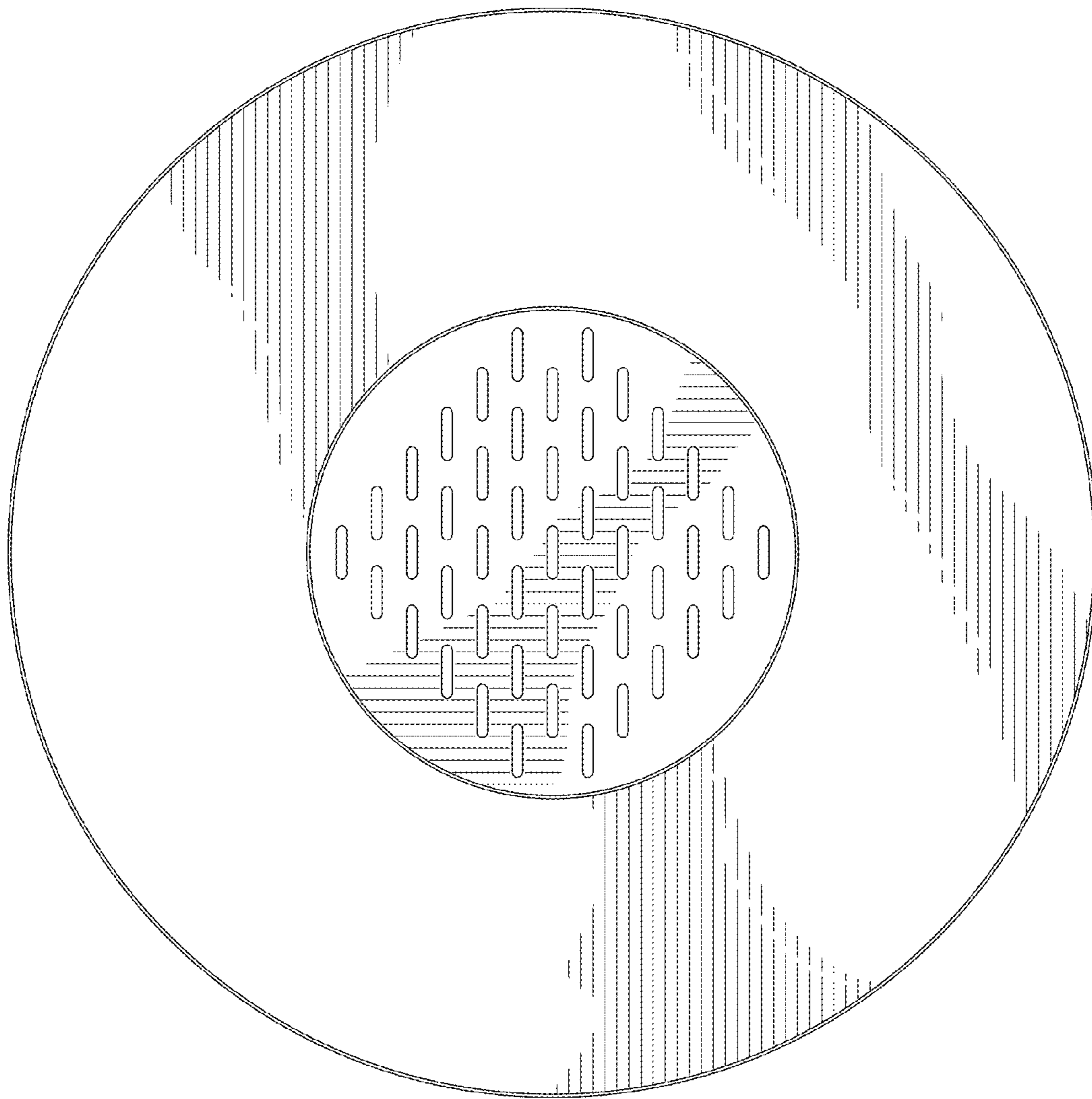


FIG. 3

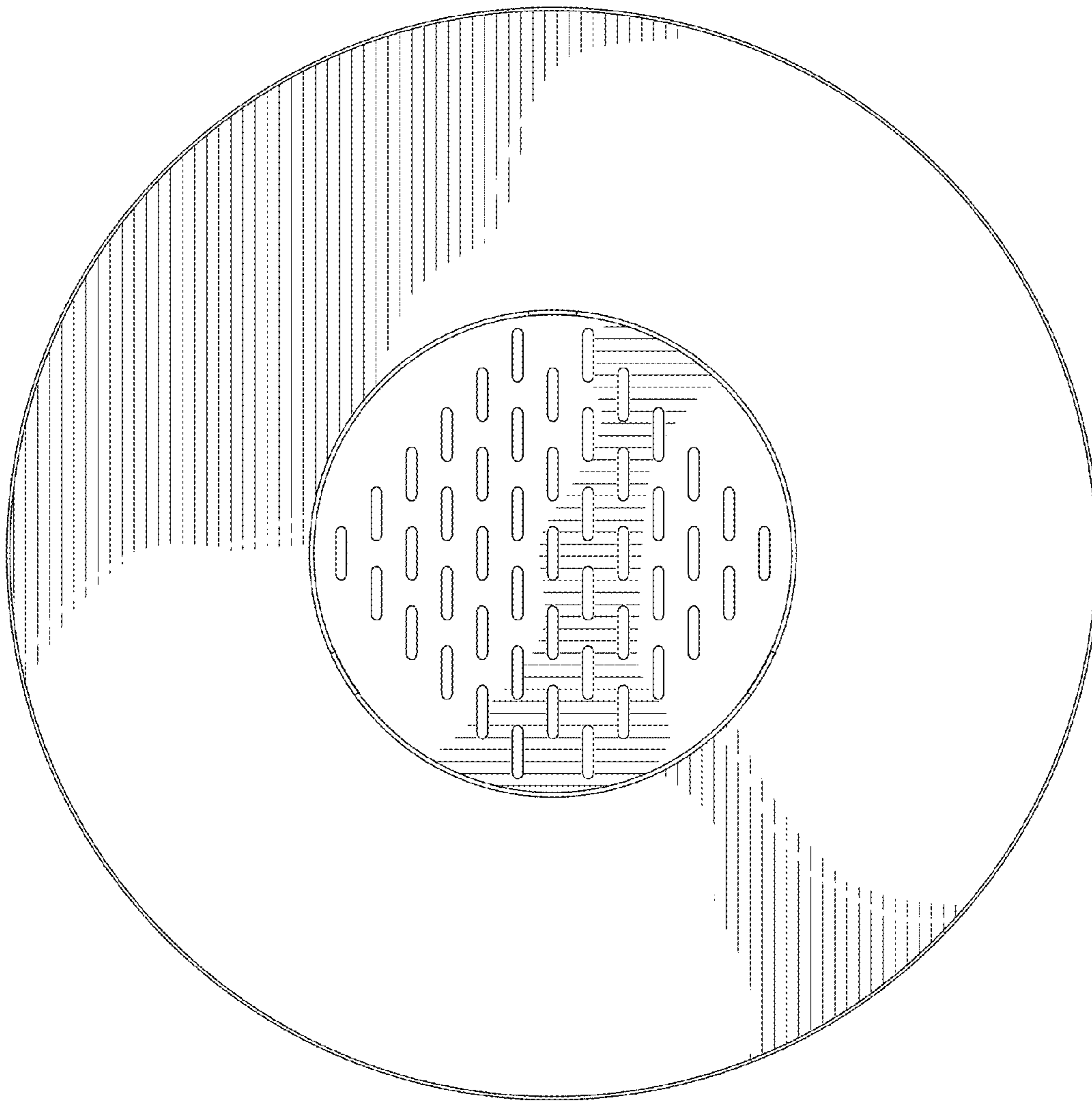


FIG. 4

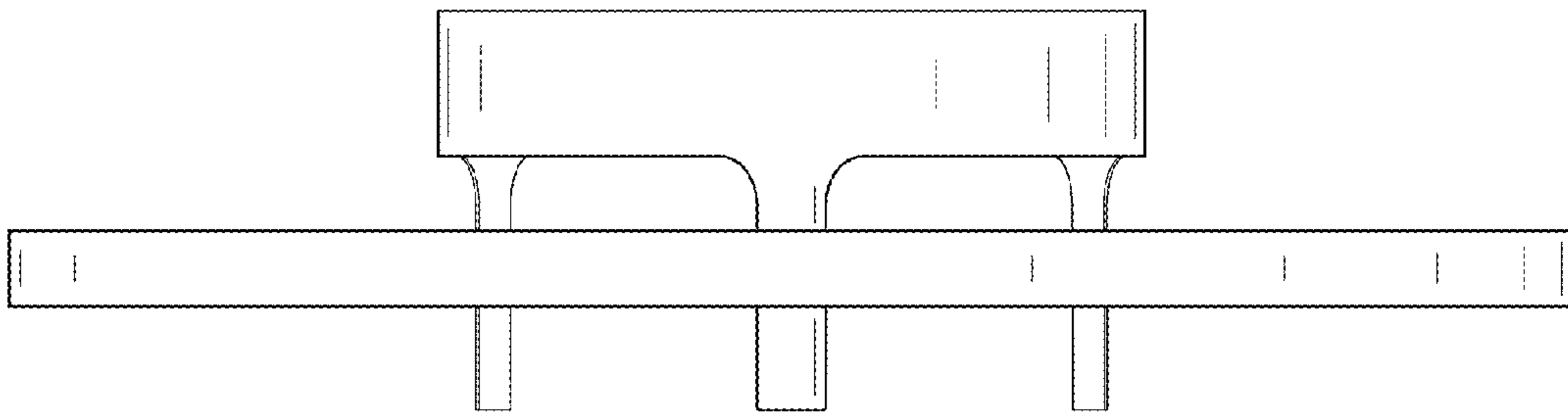


FIG. 5

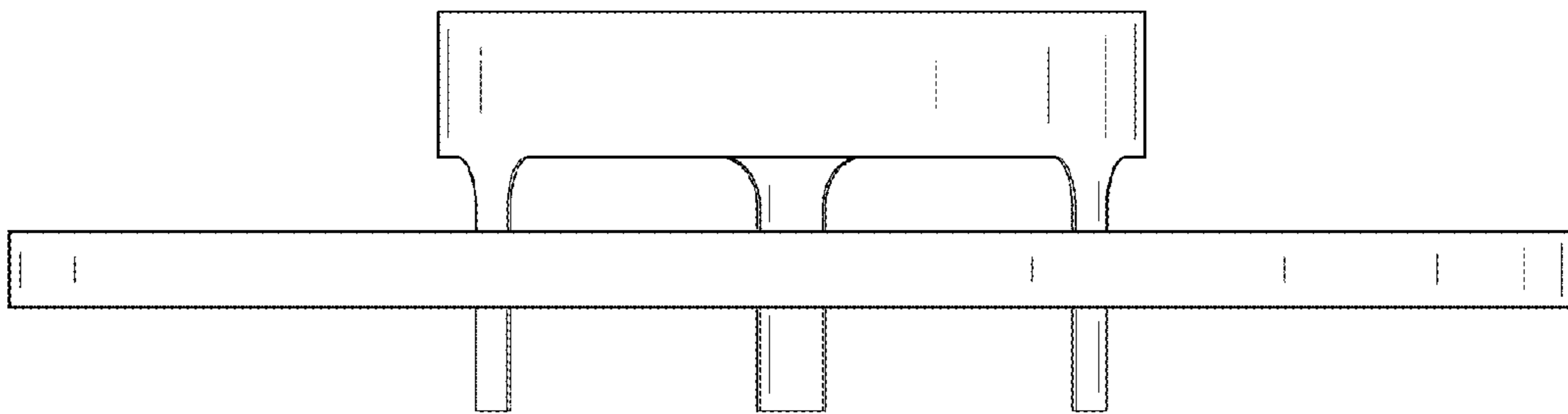


FIG. 6

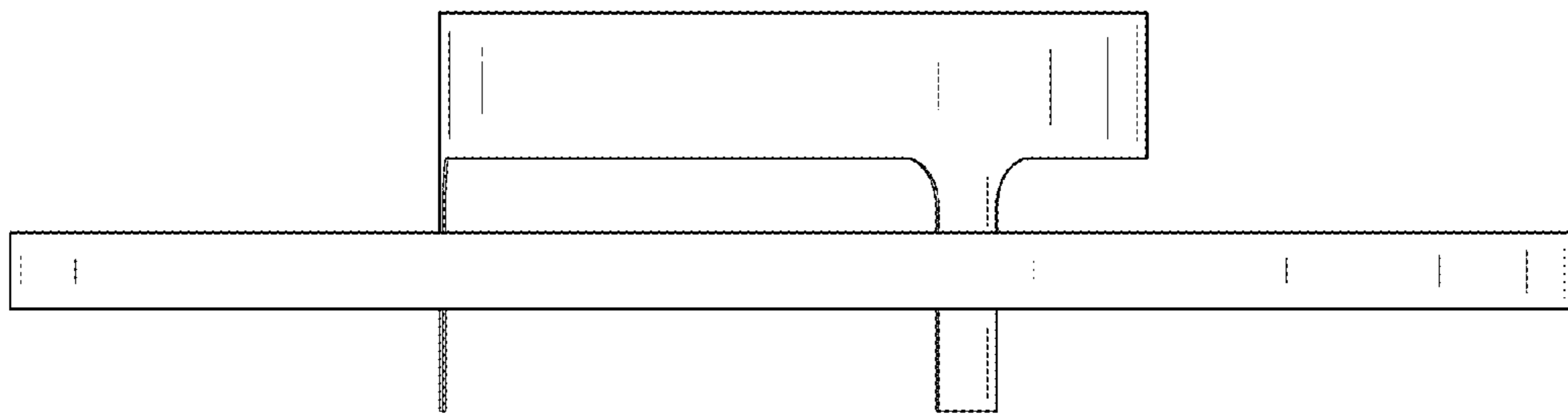


FIG. 7

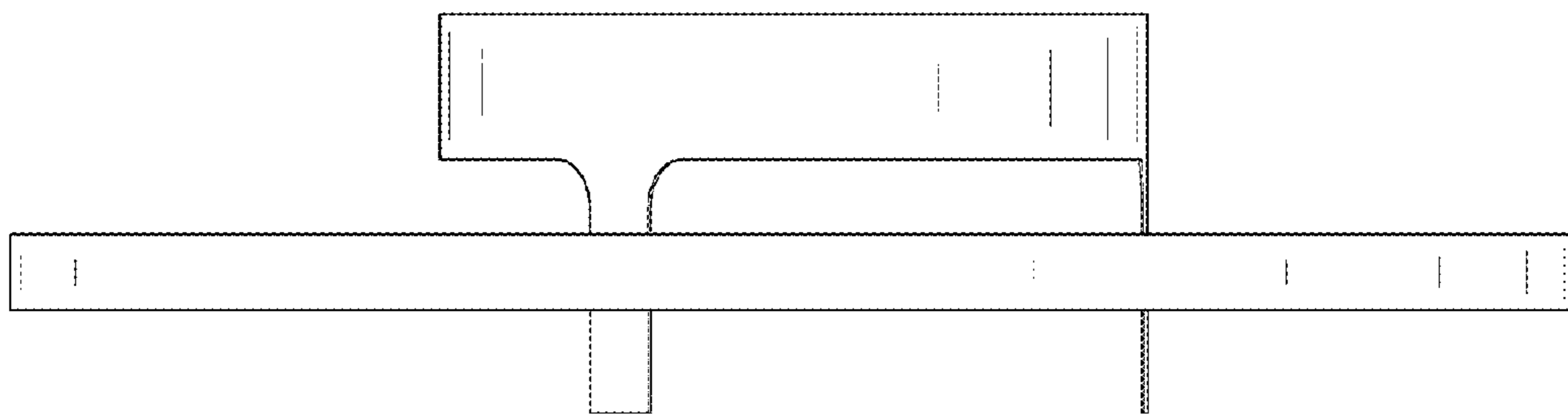


FIG. 8