



US00D719786S

(12) **United States Design Patent**
Kart

(10) **Patent No.:** **US D719,786 S**

(45) **Date of Patent:** **** Dec. 23, 2014**

(54) **BABY PLATE**

(71) Applicant: **Prodigy Kids, Inc.**, Del Mar, CA (US)

(72) Inventor: **Karen M. Kart**, Del Mar, CA (US)

(**) Term: **14 Years**

(21) Appl. No.: **29/494,806**

(22) Filed: **Jun. 24, 2014**

(51) **LOC (10) Cl.** **07-01**

(52) **U.S. Cl.**
USPC **D7/553.1**

(58) **Field of Classification Search**
USPC D7/550.1, 552.2, 553.1, 553.2, 554.1,
D7/554.3, 602; D9/424-425, 761;
220/23.83, 500, 507, 553-554;
206/223, 557, 561-564, 541
See application file for complete search history.

(56) **References Cited**

U.S. PATENT DOCUMENTS

D444,034	S	*	6/2001	Miller et al.	D7/546
D467,125	S	*	12/2002	Orr et al.	D7/541
6,604,645	B1	*	8/2003	Vaupotic	220/212
D502,095	S	*	2/2005	Tucker et al.	D9/425
D582,118	S	*	12/2008	Chafe et al.	D32/54
D615,821	S	*	5/2010	Stamper	D7/541

D623,902	S	*	9/2010	Henderson et al.	D7/553.2
D626,863	S	*	11/2010	Lovett	D9/761
D660,659	S	*	5/2012	Cohen	D7/629
8,322,558	B2	*	12/2012	Andrews	220/575
D683,210	S	*	5/2013	Cox et al.	D9/420
D691,854	S	*	10/2013	Dabney-Wiggs	D7/551.1
D691,856	S	*	10/2013	Dabney-Wiggs	D7/553.2
D695,575	S	*	12/2013	Katz	D7/629
D707,085	S	*	6/2014	Carmichael	D7/602
2004/0094548	A1	*	5/2004	Laveault	220/212
2009/0057252	A1	*	3/2009	Eckenrode et al.	211/131.1

* cited by examiner

Primary Examiner — Kelley Donnelly

(74) *Attorney, Agent, or Firm* — Michael Shevlin

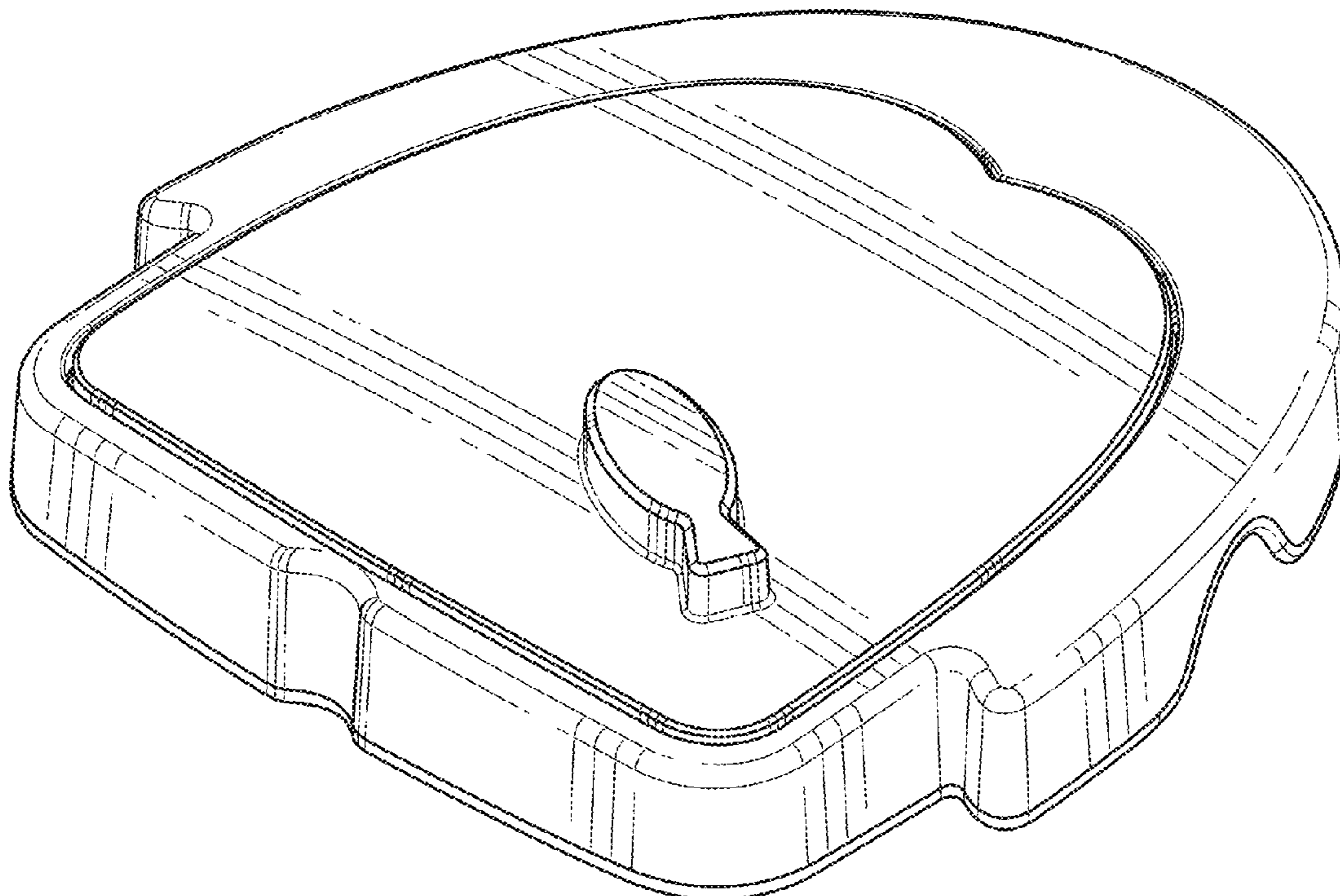
(57) **CLAIM**

The ornamental design for a baby plate, as shown and described.

DESCRIPTION

FIG. 1 is a perspective view of the baby plate;
FIG. 2 is a front view of the baby plate;
FIG. 3 is a rear view of the baby plate;
FIG. 4 is a bottom end view of the baby plate;
FIG. 5 is a right side view showing the baby plate;
FIG. 6 is a top end view showing the baby plate;
FIG. 7 is left side view showing the baby plate; and,
FIG. 8 is a perspective view of the baby plate with the lid lifted.

1 Claim, 8 Drawing Sheets



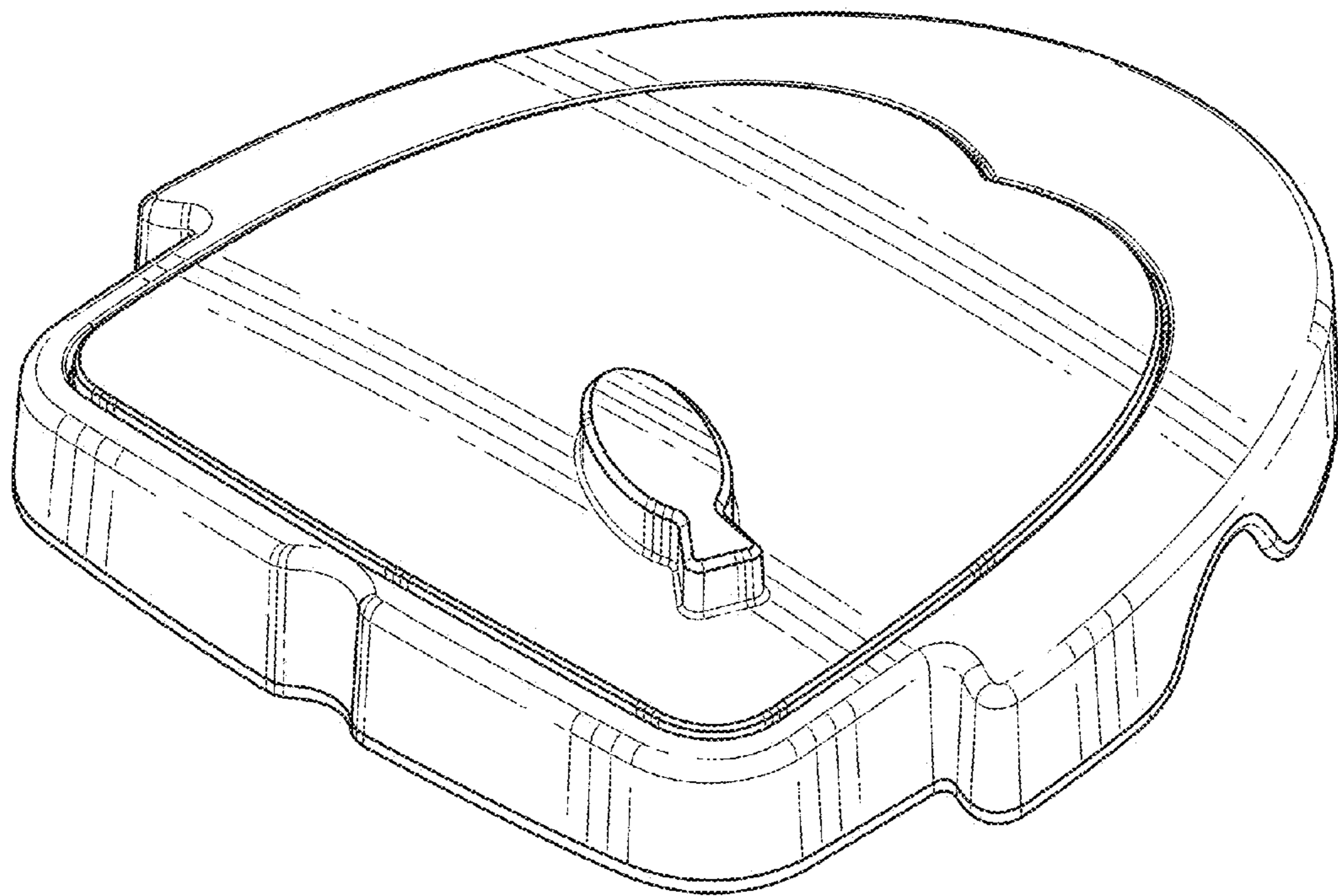


FIG. 1

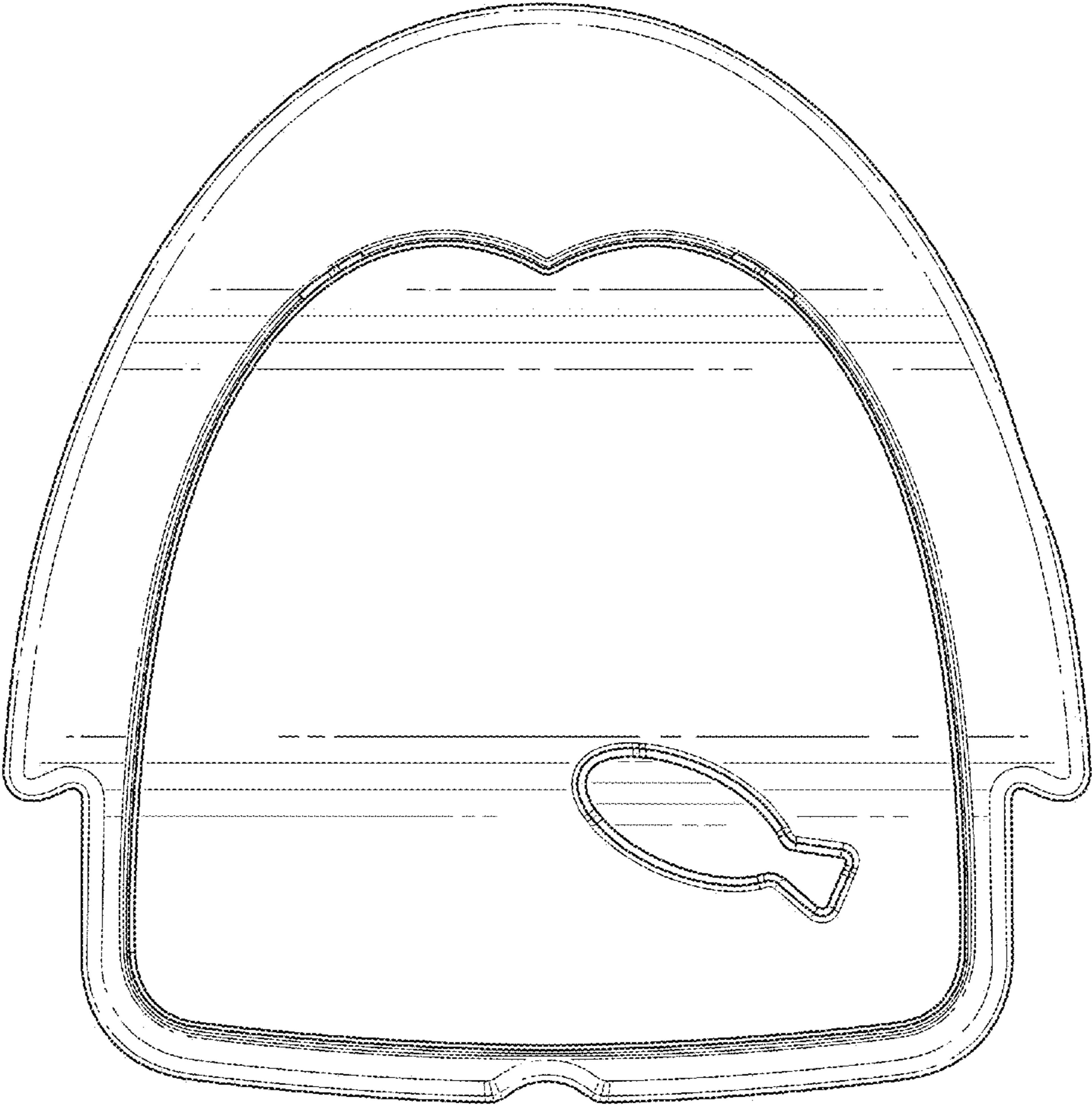


FIG. 2

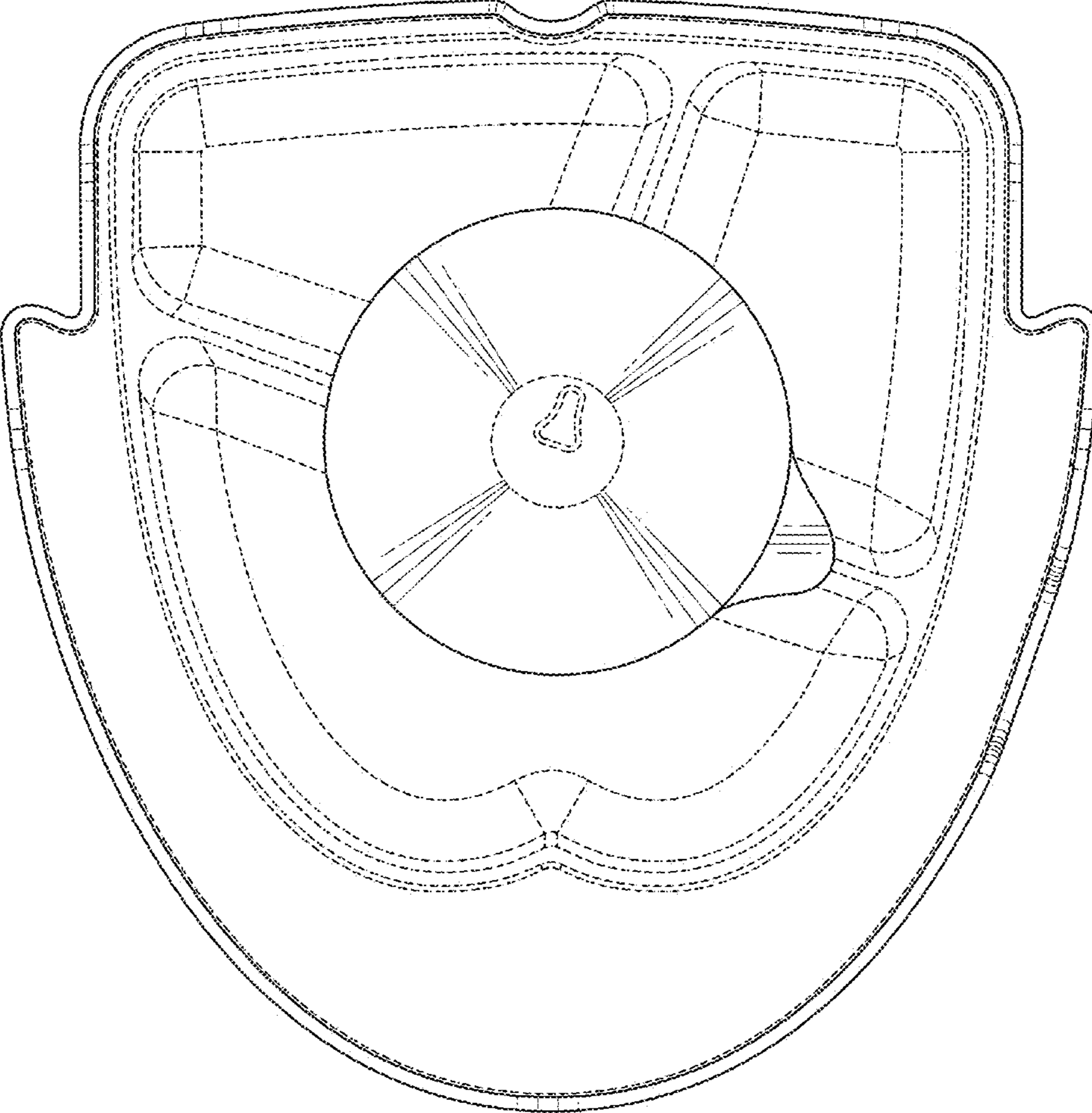


FIG. 3

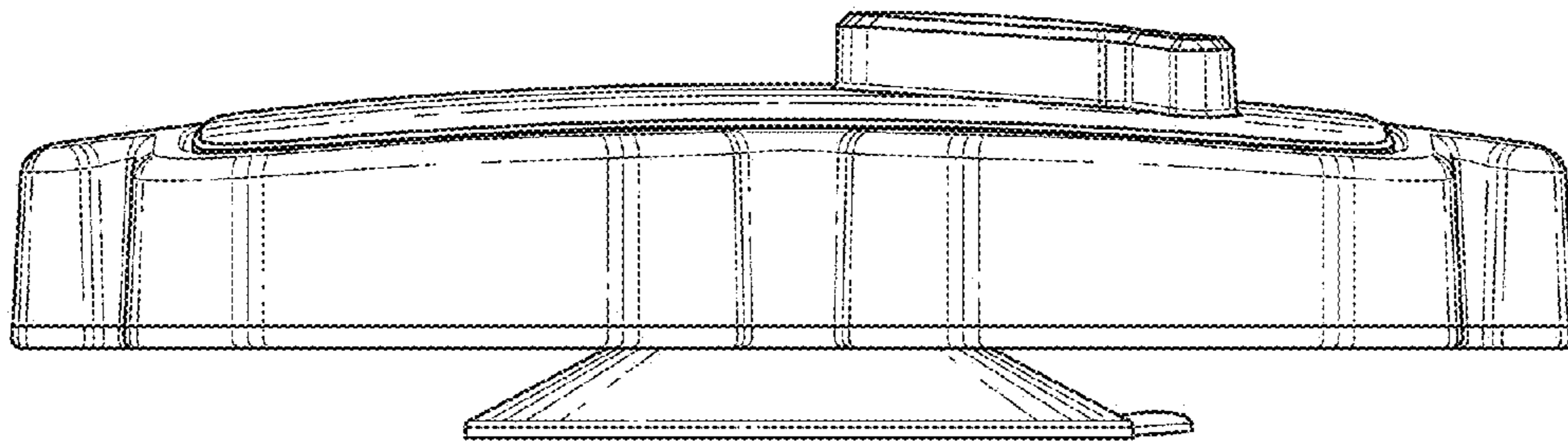


FIG. 4

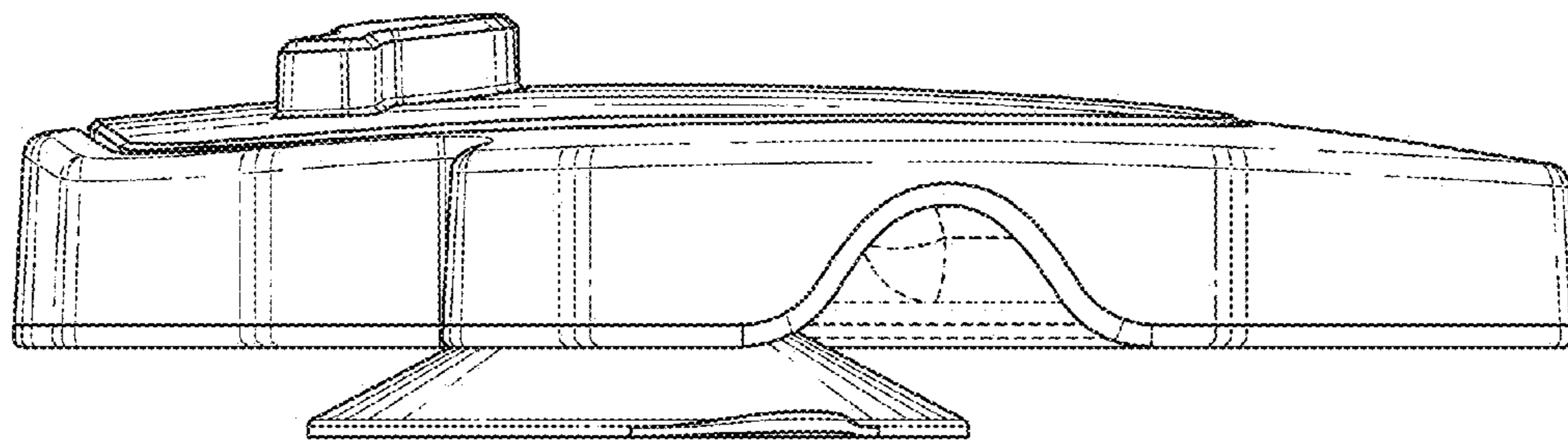


FIG. 5

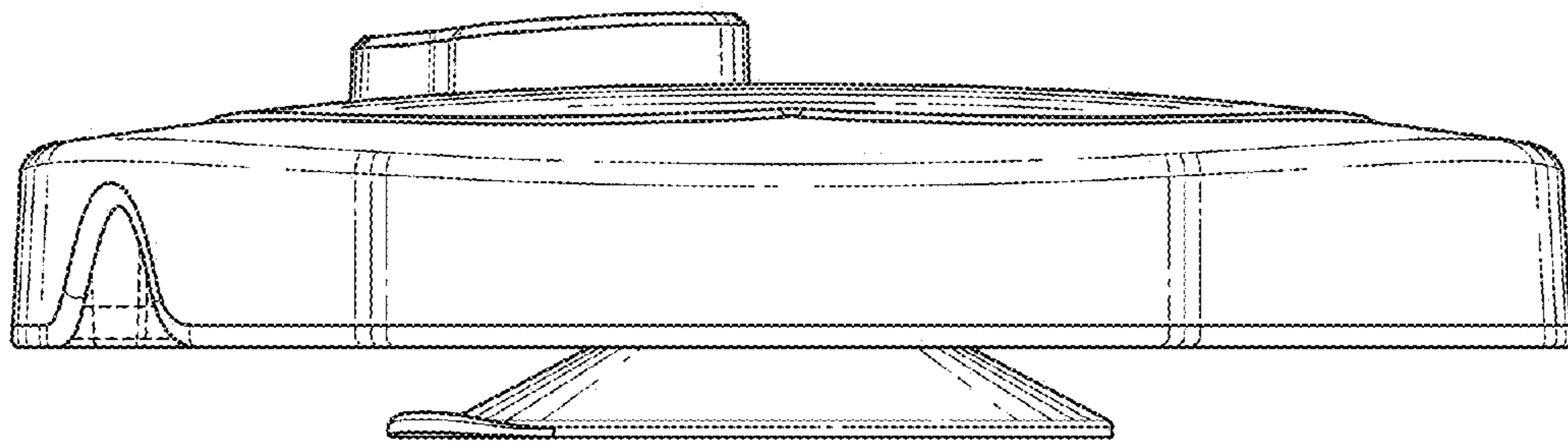


FIG. 6

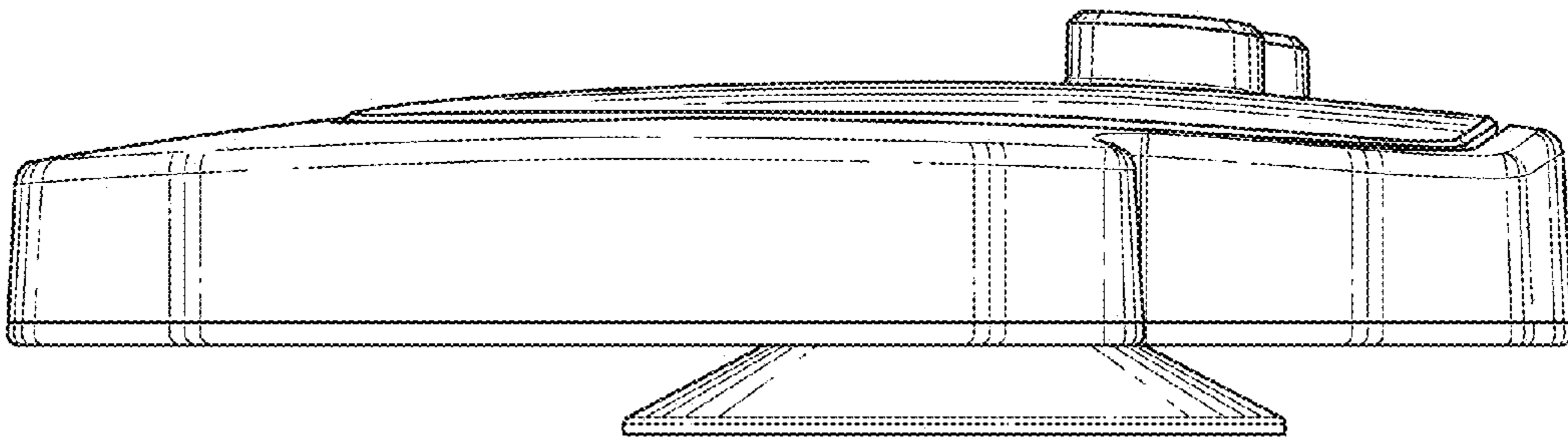


FIG. 7

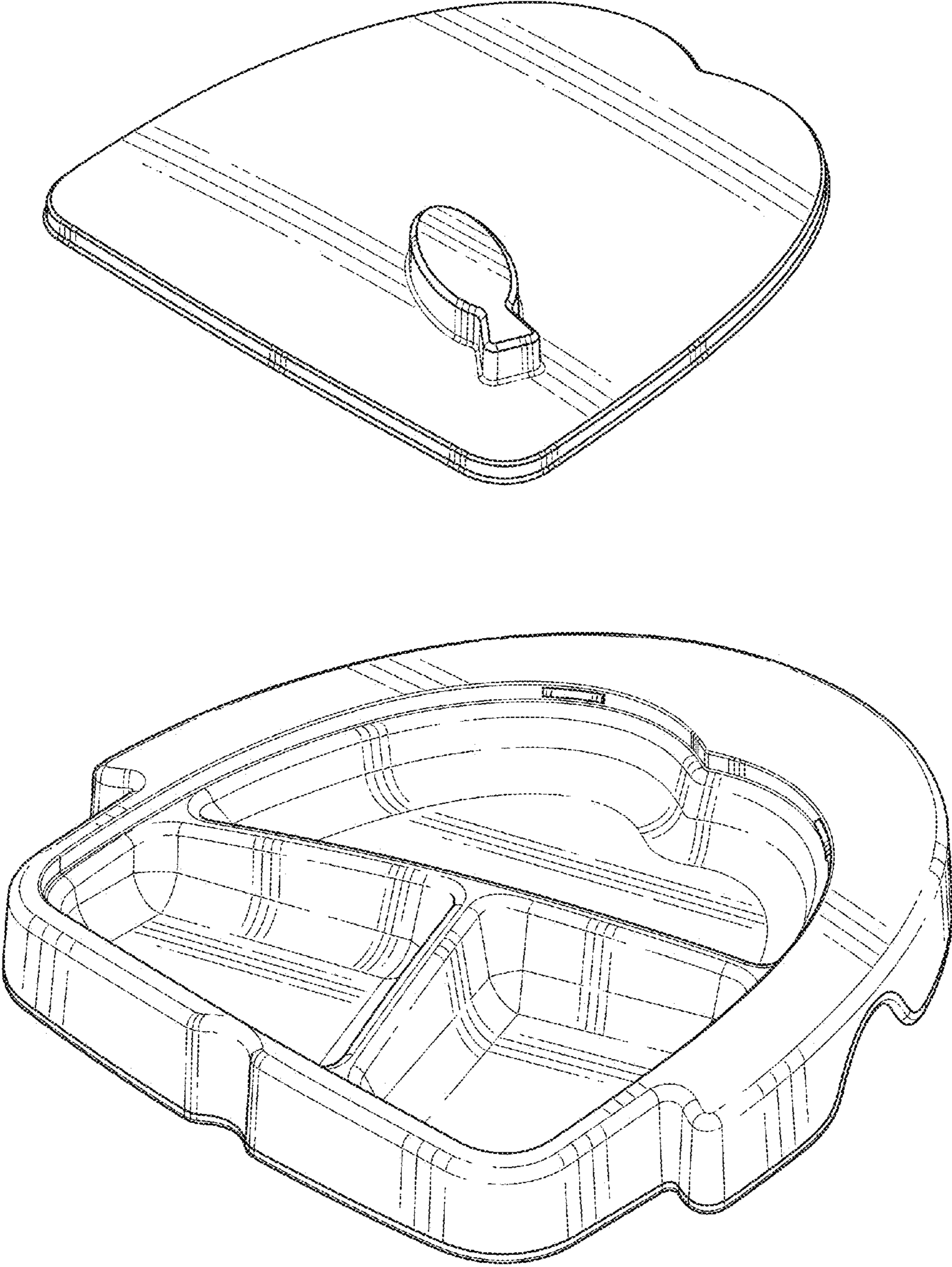


FIG. 8