



US00D719785S

(12) **United States Design Patent**
Grcic

(10) **Patent No.:** **US D719,785 S**

(45) **Date of Patent:** **** Dec. 23, 2014**

(54) **CUP**

(71) Applicant: **Societe des Produits Nestle S.A., Vevey**
(CH)

(72) Inventor: **Konstantin Grcic, Munich (DE)**

(73) Assignee: **Societe des Produits Nestle S.A., Vevey**
(CH)

(**) Term: **14 Years**

(21) Appl. No.: **29/468,632**

(22) Filed: **Oct. 1, 2013**

(30) **Foreign Application Priority Data**

Apr. 4, 2013 (CH) 139723

(51) **LOC (10) Cl.** **07-01**

(52) **U.S. Cl.**
USPC **D7/536**

(58) **Field of Classification Search**
USPC D7/300, 500, 509, 523, 524, 528, 532,
D7/533, 536, 537, 543, 546, 547, 560, 584,
D7/601, 602, 619.1, 622; D9/500, 501,
D9/502, 516, 519, 520, 521, 530, 531, 535,
D9/537; D34/1
See application file for complete search history.

(56) **References Cited**

U.S. PATENT DOCUMENTS

D227,532 S * 7/1973 Refsgaard D7/536
D228,273 S * 9/1973 Rafsgaard D7/536
6,065,609 A * 5/2000 Lake 210/474

D608,140 S * 1/2010 Gilbert D7/396.2
D614,448 S * 4/2010 Cahen D7/532
2004/0149763 A1 * 8/2004 Chen 220/703
2005/0194340 A1 * 9/2005 Huang 215/6
2005/0199638 A1 * 9/2005 Mott et al. 220/753

* cited by examiner

Primary Examiner — Susan Bennett Hattan

Assistant Examiner — Leanne Was

(74) *Attorney, Agent, or Firm* — K&L Gates LLP

(57) **CLAIM**

The ornamental design for a cup, as shown and described.

DESCRIPTION

FIG. 1 illustrates a top perspective view of a cup according to the present invention;
FIG. 2 illustrates a back side elevational view thereof;
FIG. 3 illustrates a front side elevational view thereof;
FIG. 4 illustrates a right side elevational view thereof;
FIG. 5 illustrates a left side elevational view thereof;
FIG. 6 illustrates a top plan view thereof;
FIG. 7 illustrates a bottom plan view thereof;
FIG. 8 illustrates a top perspective view of a second embodiment of a cup according to the present invention;
FIG. 9 illustrates a back side elevational view thereof;
FIG. 10 illustrates a front side elevational view thereof;
FIG. 11 illustrates a right side elevational view thereof;
FIG. 12 illustrates a left side elevational view thereof;
FIG. 13 illustrates a top plan view thereof; and,
FIG. 14 illustrates a bottom plan view thereof.
Any broken lines shown in the drawings depict unclaimed portions of the cup.

1 Claim, 12 Drawing Sheets

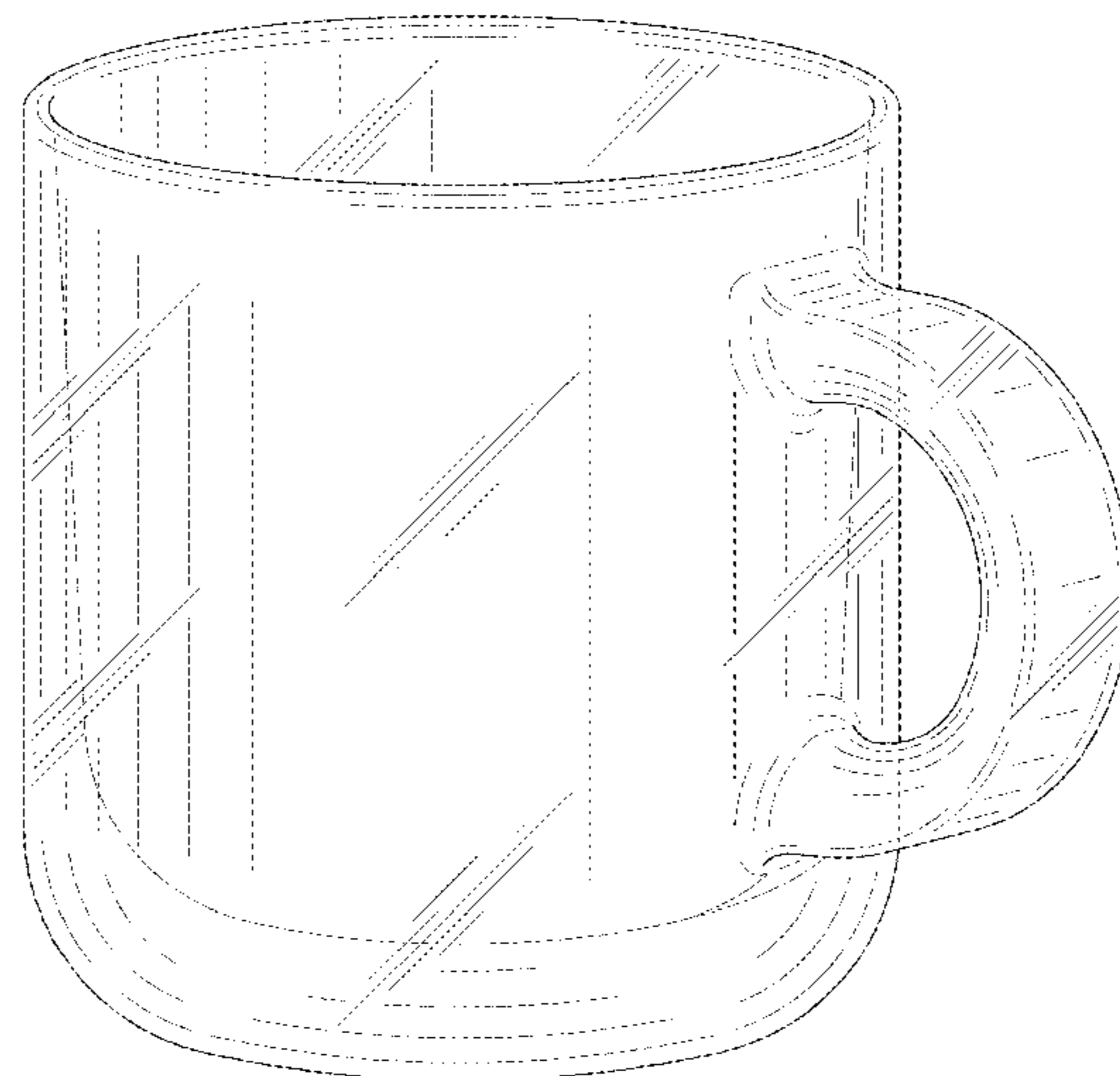
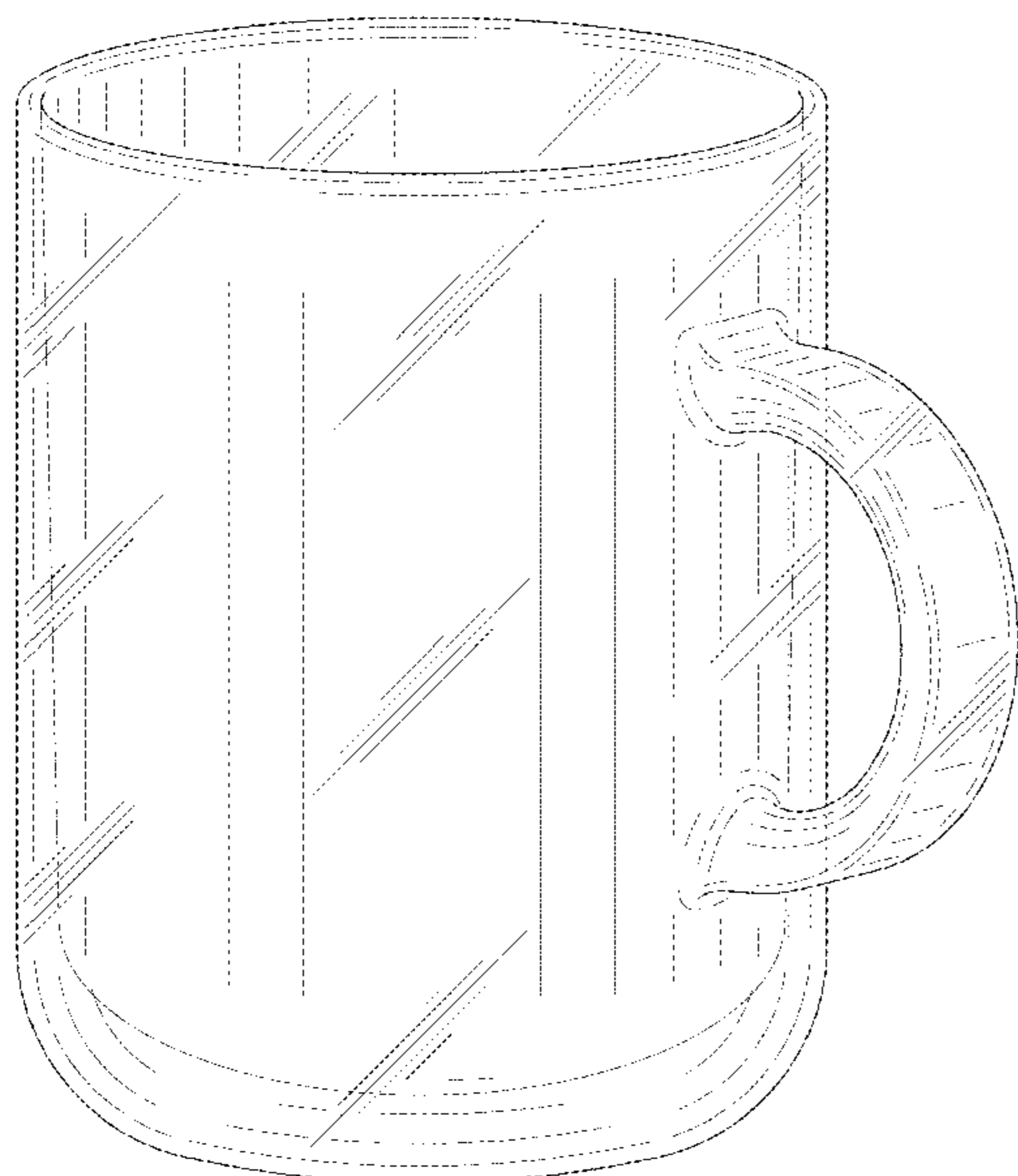


FIG. 1

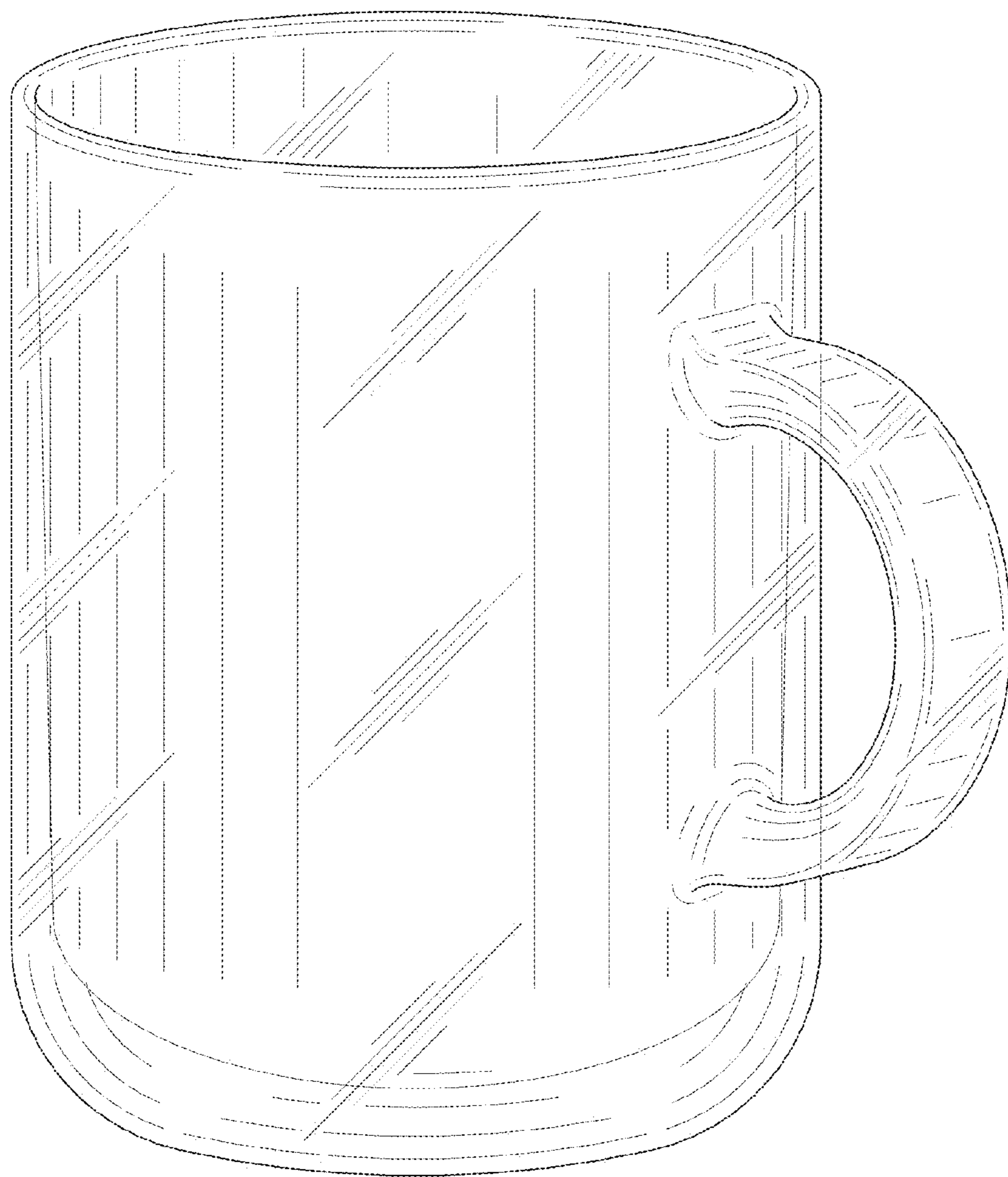


FIG. 2

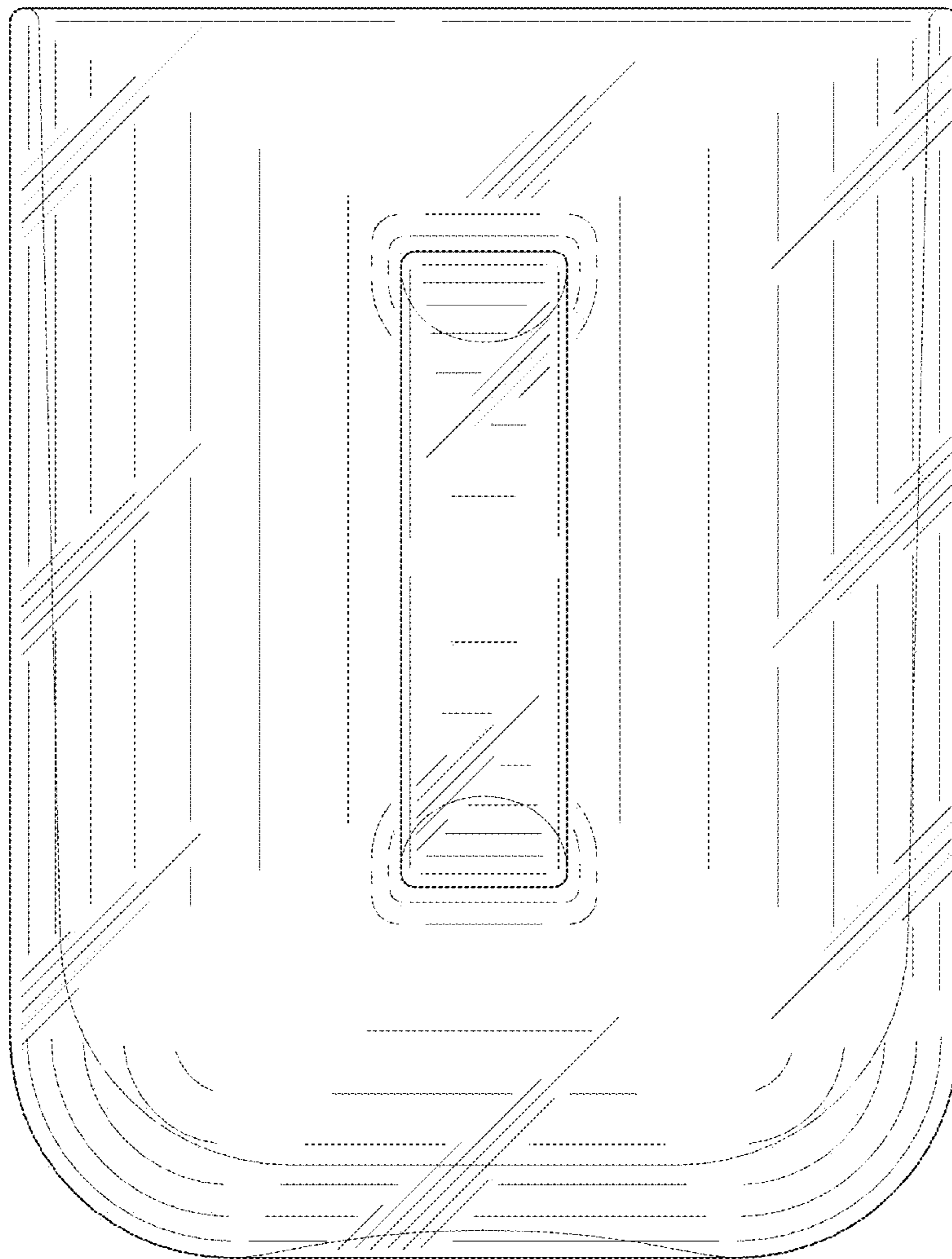


FIG. 3

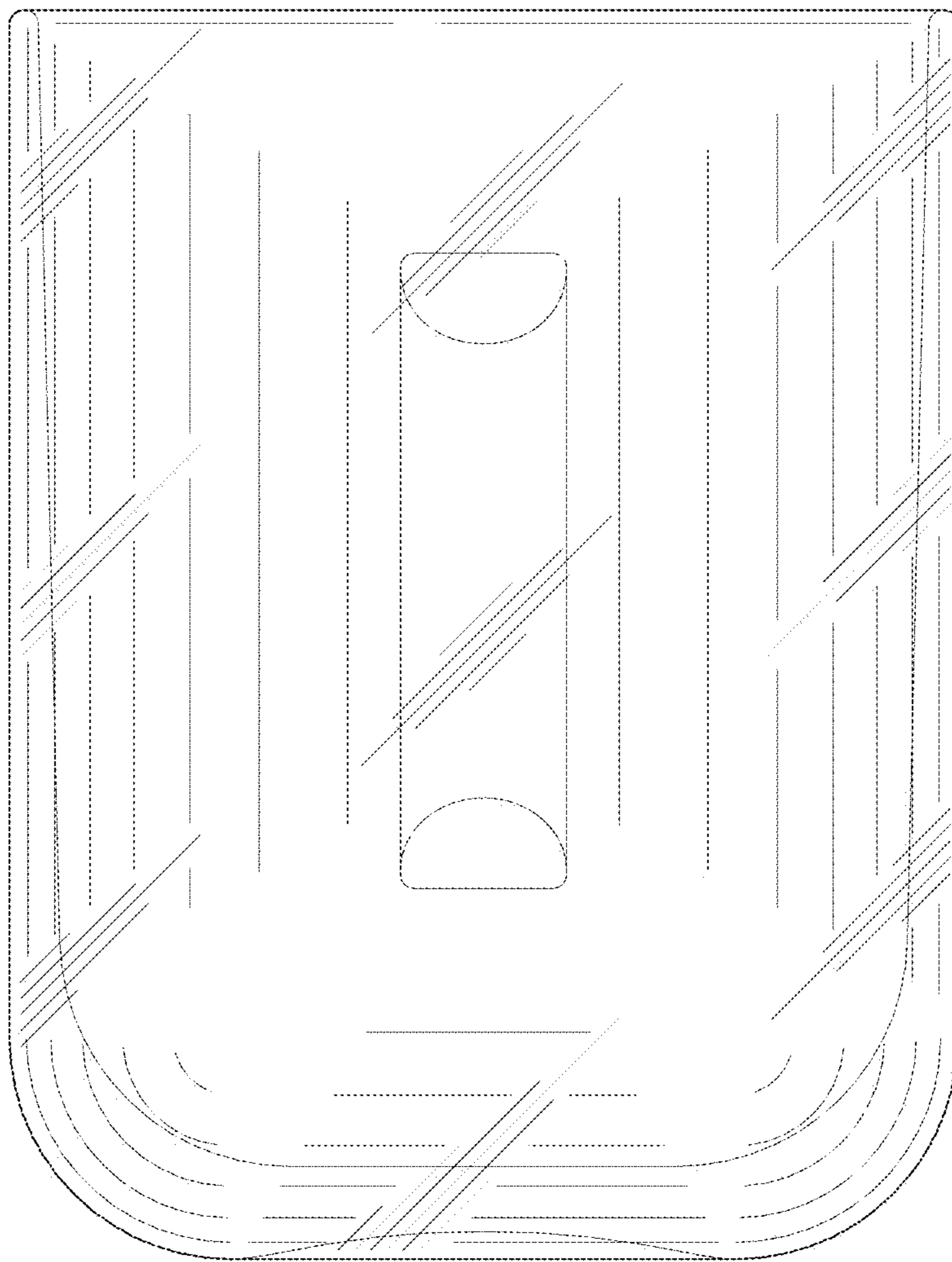


FIG. 4

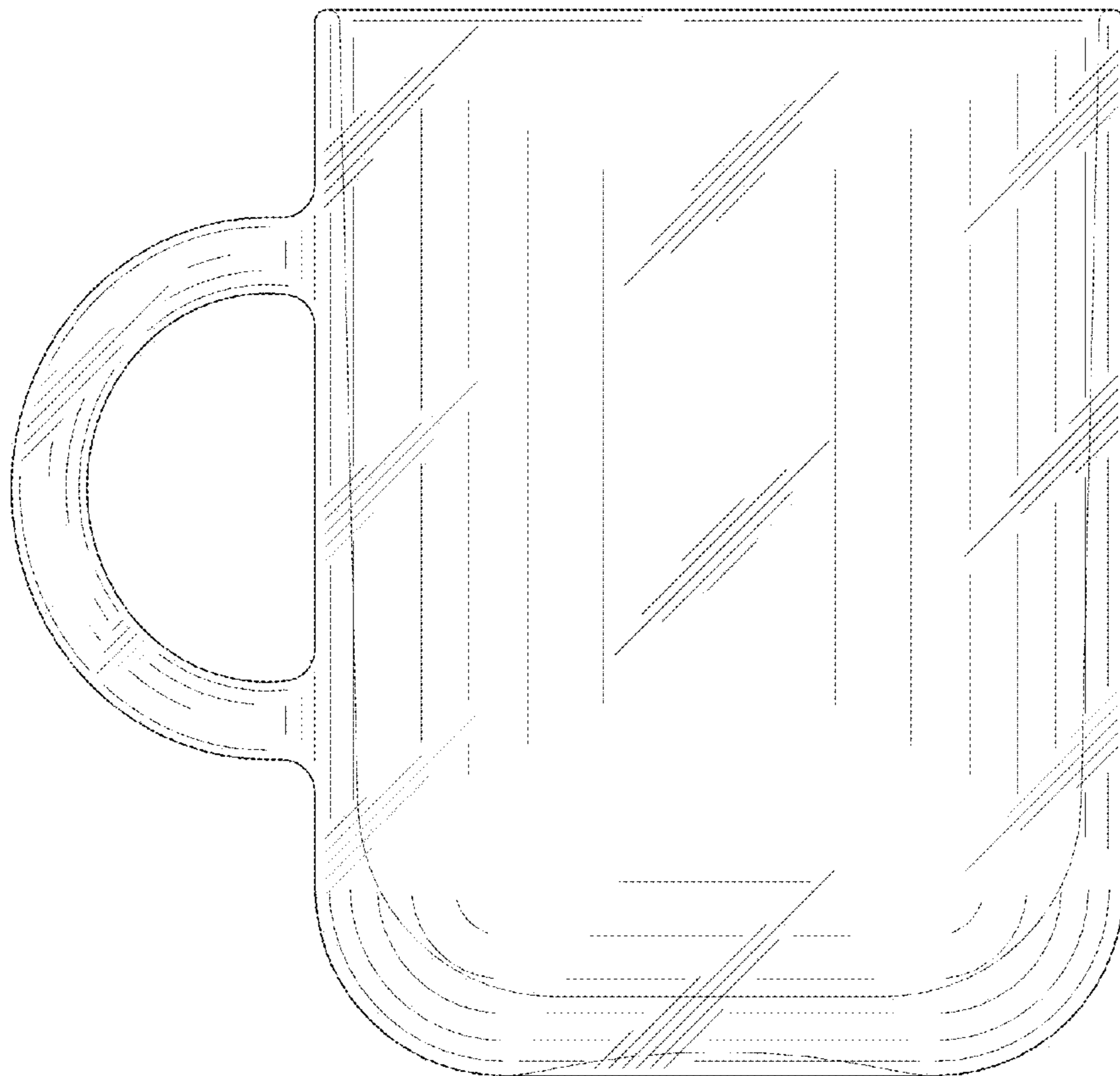


FIG. 5

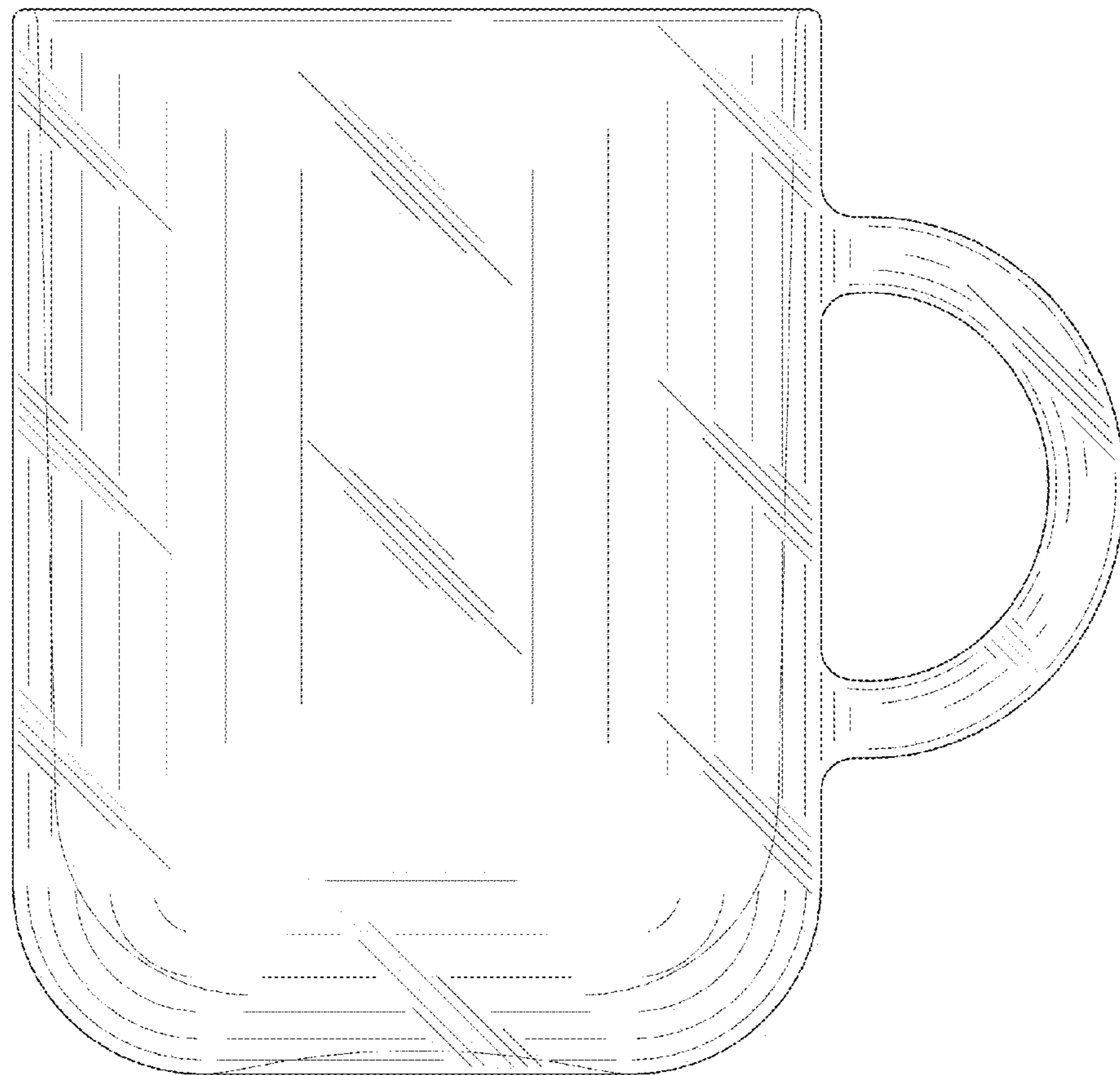


FIG. 6

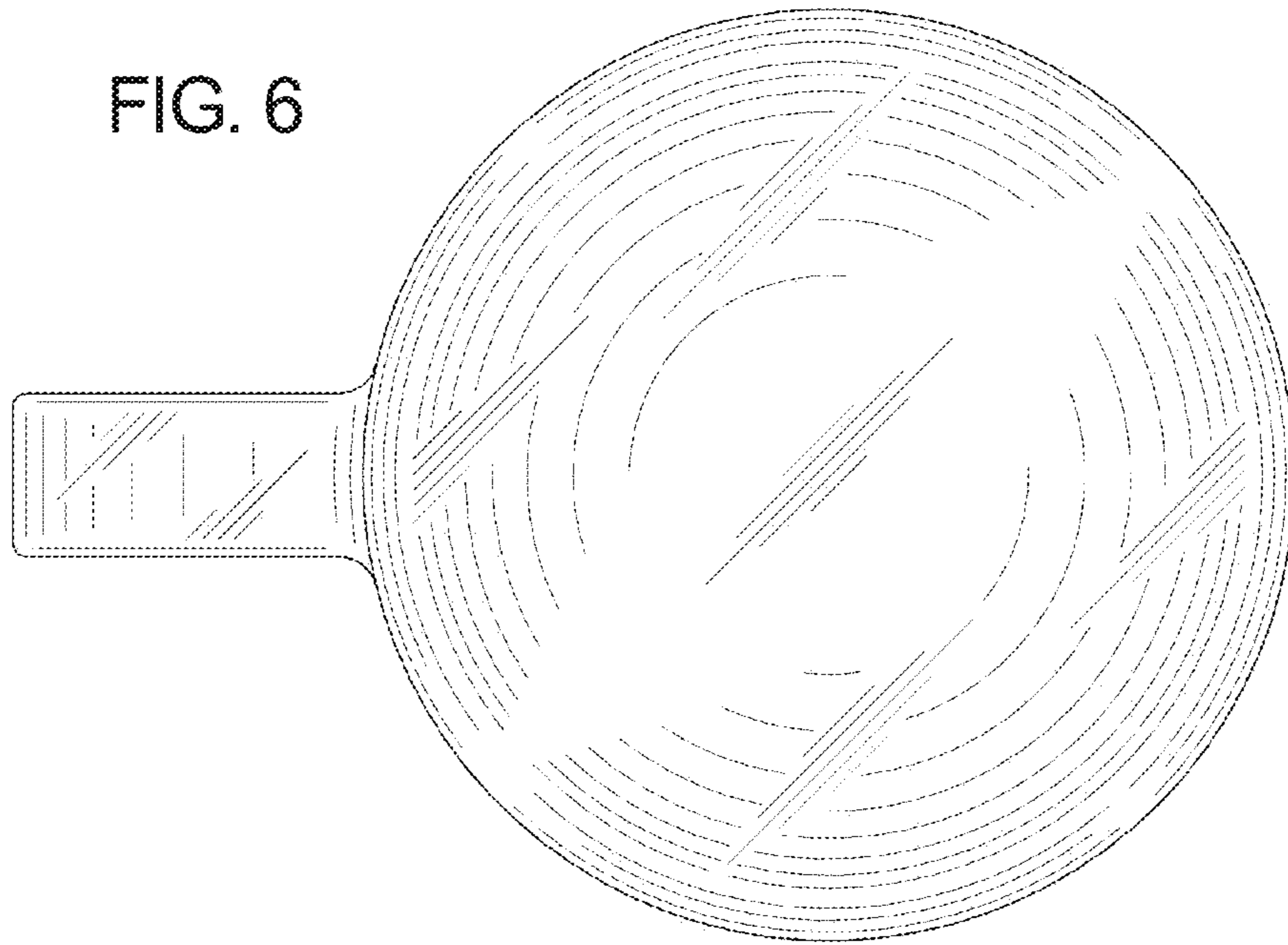


FIG. 7

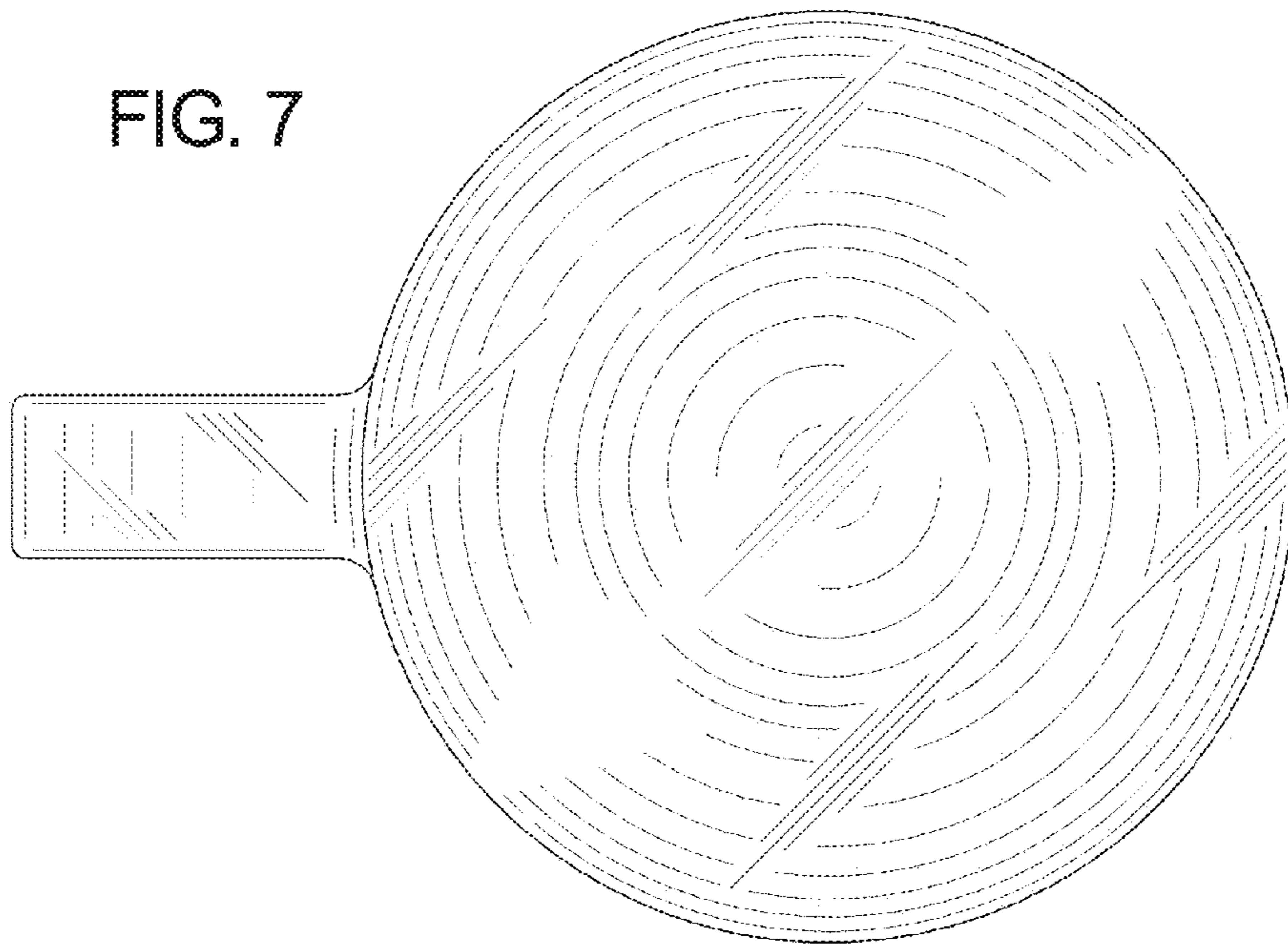


FIG. 8

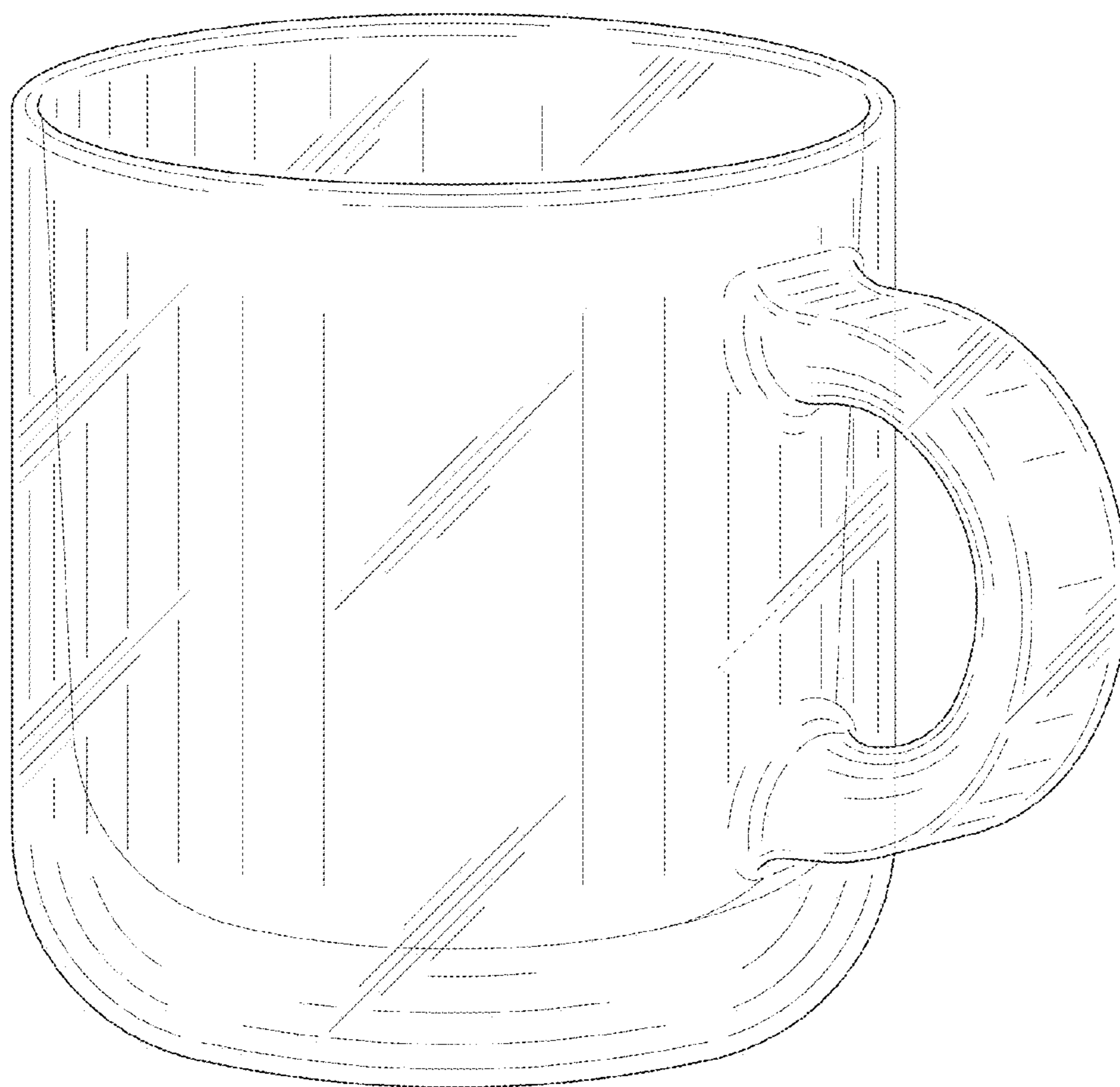


FIG. 9

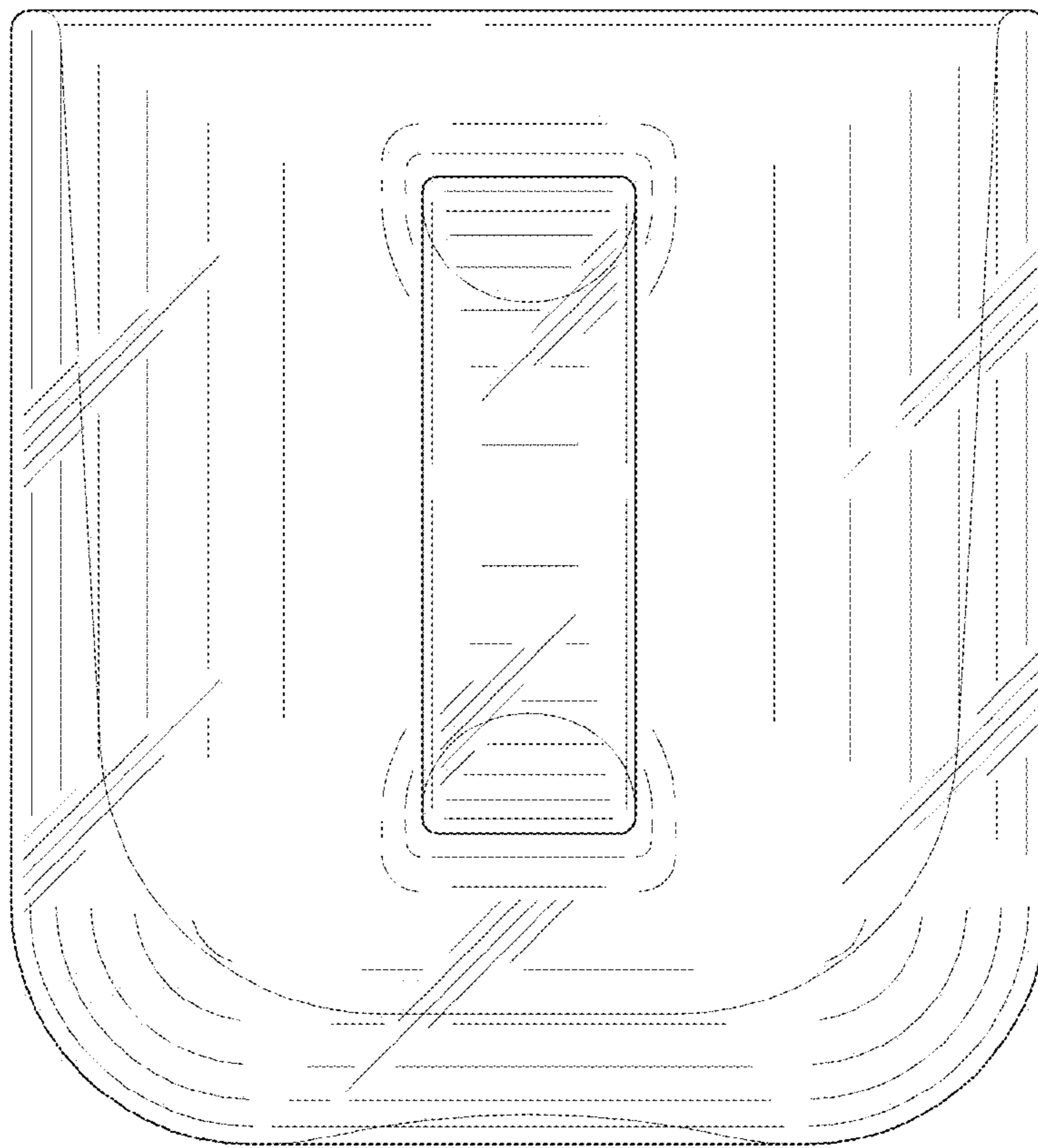


FIG. 10

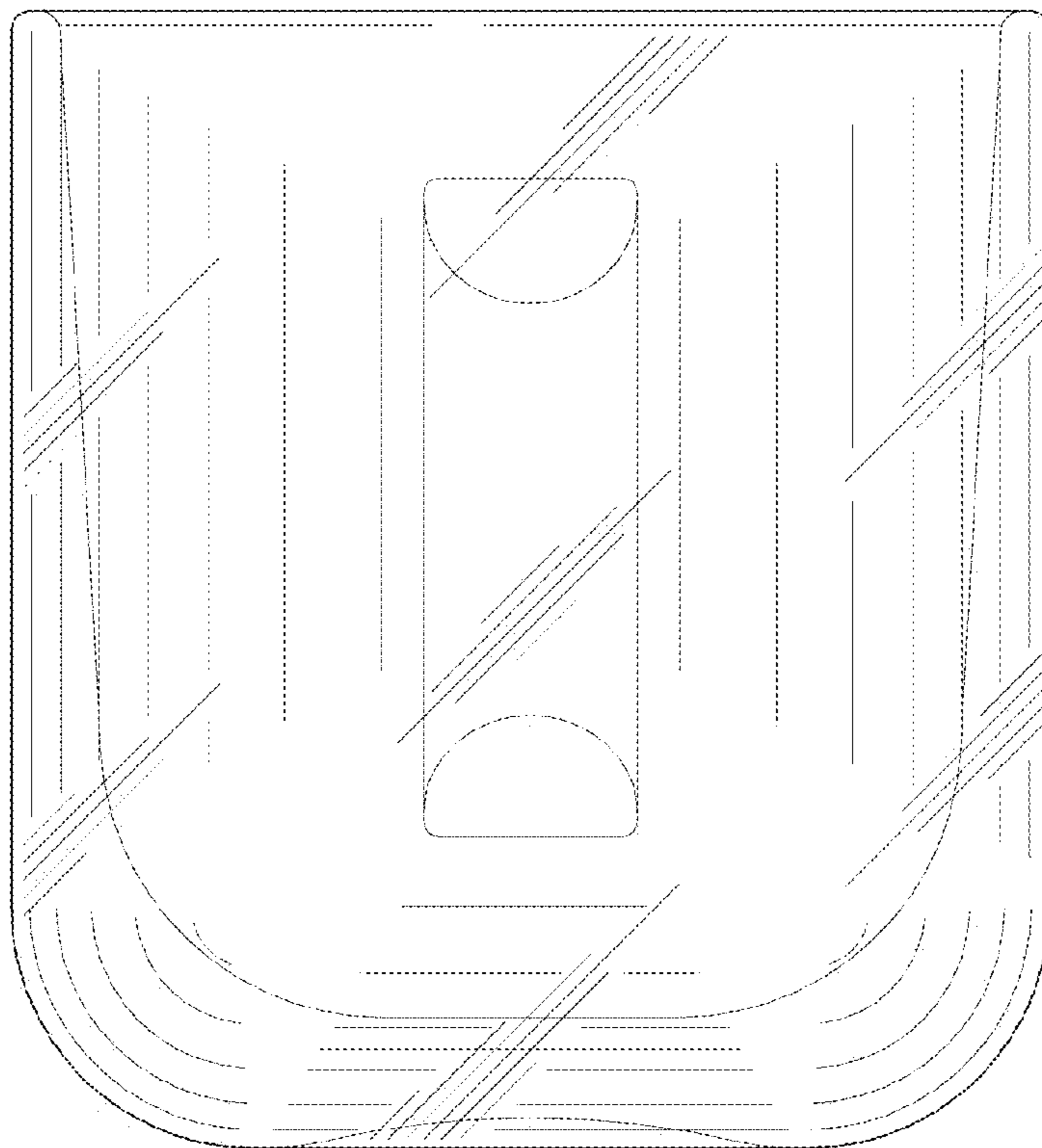


FIG. 11

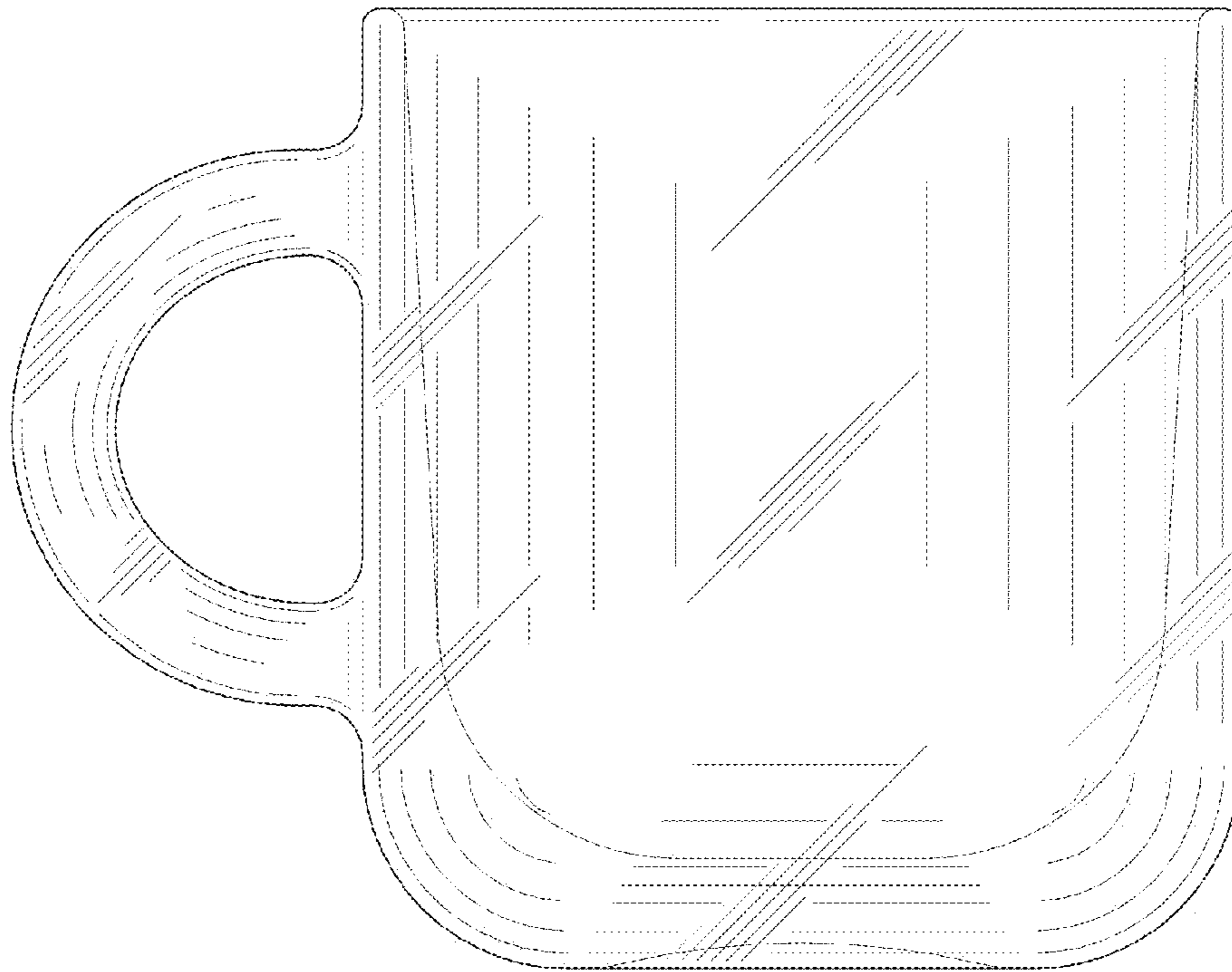


FIG. 12

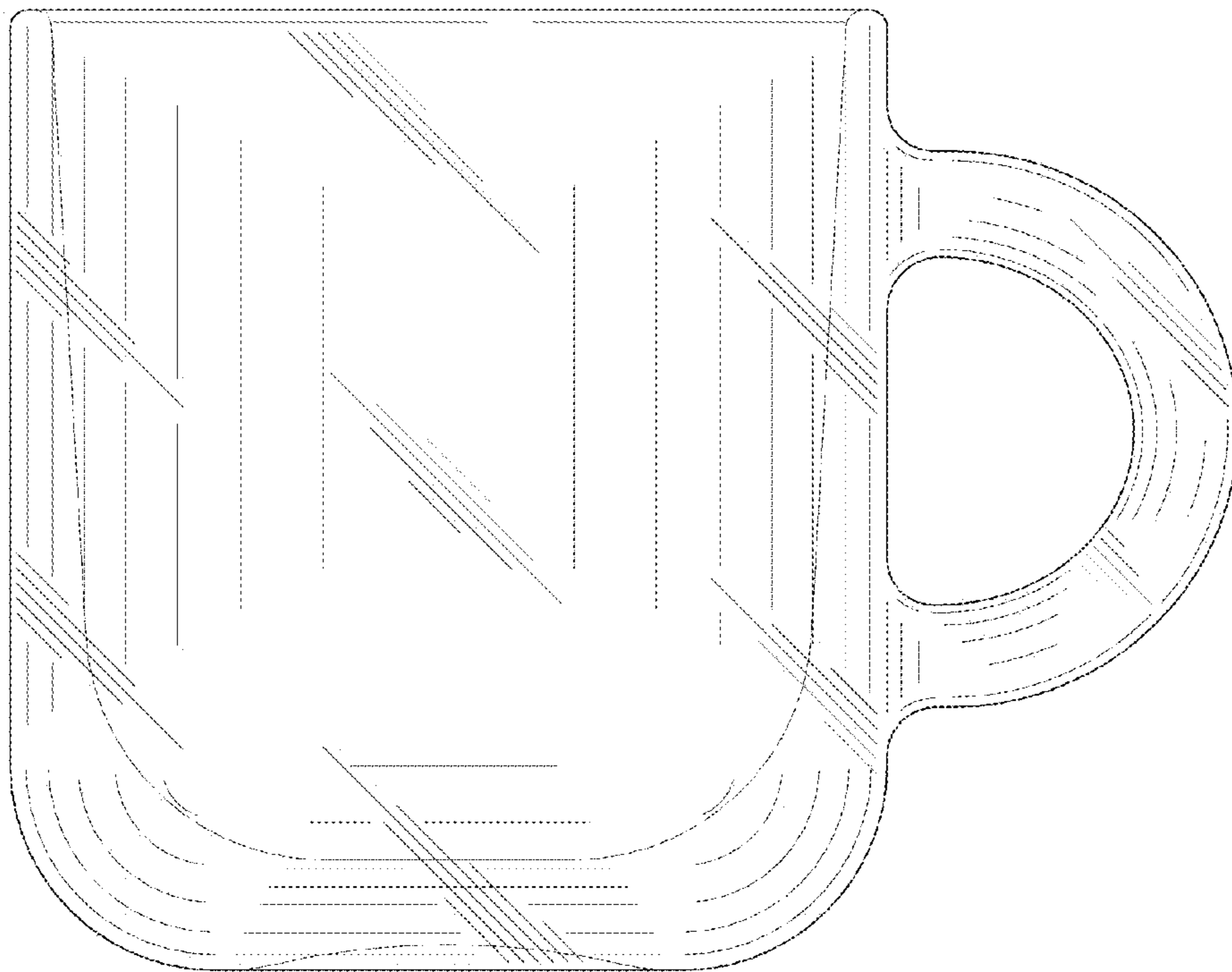


FIG. 13

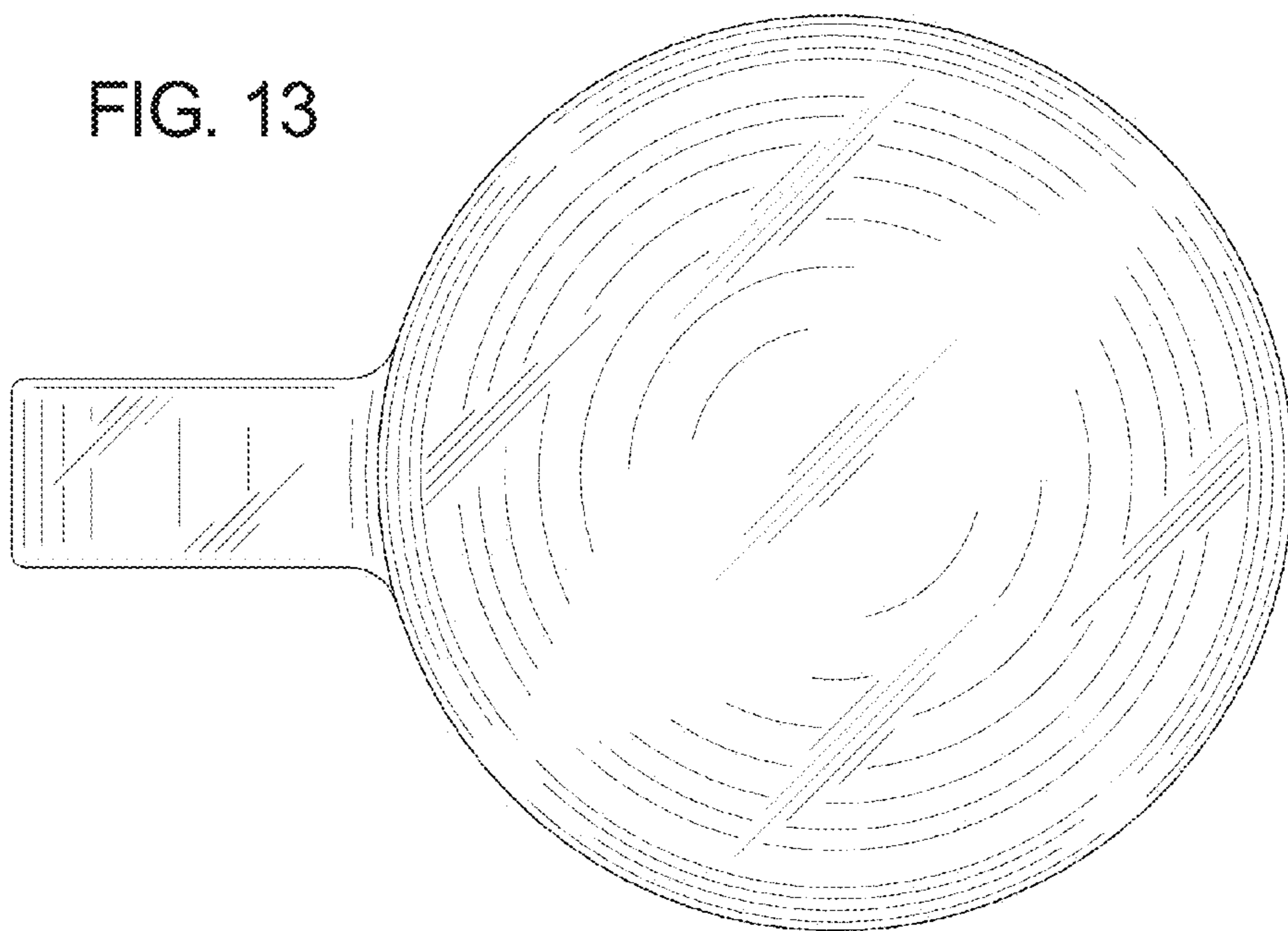


FIG. 14

