



US00D719781S

(12) **United States Design Patent**
Cauwood et al.

(10) **Patent No.:** **US D719,781 S**

(45) **Date of Patent:** **** Dec. 23, 2014**

(54) **DISPENSER HEAD FOR A BEVERAGE MACHINE**

(71) Applicant: **Green Mountain Coffee Roasters, Inc.**,
Waterbury, VT (US)

(72) Inventors: **Peter David Cauwood**, Cambridge
(GB); **Iain James Sabberton**,
Cambridge (GB); **Matthew John**
Maitland, Cambridge (GB); **Keith Paul**
Thompson, Cambridge (GB)

(73) Assignee: **Keurig Green Mountain, Inc.**,
Waterbury, VT (US)

(**) Term: **14 Years**

(21) Appl. No.: **29/466,334**

(22) Filed: **Sep. 6, 2013**

(51) **LOC (10) Cl.** **07-99**

(52) **U.S. Cl.**
USPC **D7/397; D7/398; D7/399**

(58) **Field of Classification Search**
CPC **A47J 31/14; A47J 31/12; A47J 31/106;**
A47J 31/103; A47J 31/10; A47J 31/42;
A47J 31/44

USPC **D7/397, 398, 399, 376, 377, 378, 379,**
D7/304, 305, 306, 307, 308, 309, 310, 311,
D7/313, 412, 413, 414, 415; 366/129, 130,
366/279; 222/174, 146.5; 99/283, 295, 229,
99/293

See application file for complete search history.

(56) **References Cited**

U.S. PATENT DOCUMENTS

D289,726 S * 5/1987 Greutert D7/400
D331,522 S * 12/1992 Littmann D7/309

D337,693 S * 7/1993 Segati D7/392
D338,590 S * 8/1993 Dingelstad et al. D7/309
D340,162 S * 10/1993 Storsberg D7/309
D347,350 S * 5/1994 Ullmann D7/309
D355,561 S * 2/1995 Ullman D7/309
D387,245 S * 12/1997 Hippen et al. D7/379
D409,875 S * 5/1999 Alonge et al. D7/309
5,957,578 A * 9/1999 Holbrook et al. 366/197
D416,752 S * 11/1999 Leverrier D7/379
D423,315 S * 4/2000 Robson D8/70
D440,458 S * 4/2001 Ohu D7/306
D444,985 S * 7/2001 Wu D7/309
D493,331 S * 7/2004 Munoz D7/398
D556,497 S * 12/2007 Harris et al. D7/309
D582,714 S * 12/2008 Hensel D7/309
D682,598 S * 5/2013 Wu et al. D7/306
D696,062 S * 12/2013 Picozza et al. D7/379

* cited by examiner

Primary Examiner — Marianne Pandozzi

Assistant Examiner — Jae Liang

(74) *Attorney, Agent, or Firm* — Wolf, Greenfield & Sacks,
P.C.

(57) **CLAIM**

The ornamental design for a dispenser head for a beverage machine, as shown and described.

DESCRIPTION

FIG. 1 is a front perspective view of the dispenser head for a beverage machine;

FIG. 2 is a front view thereof;

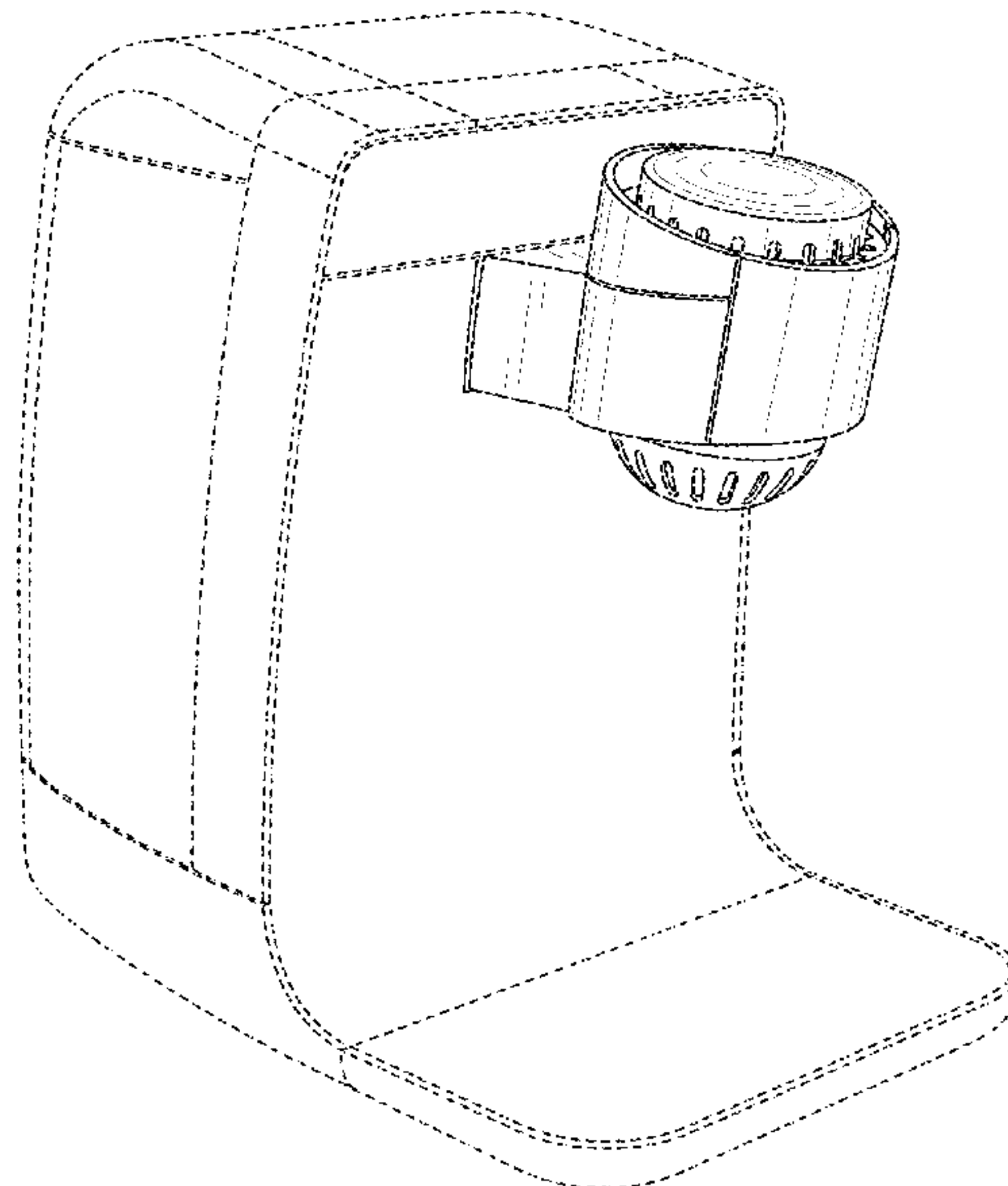
FIG. 3 is a right side view thereof;

FIG. 4 is a top view thereof; and,

FIG. 5 is a left side view thereof.

Features shown in dashed line form no part of the claimed invention.

1 Claim, 5 Drawing Sheets



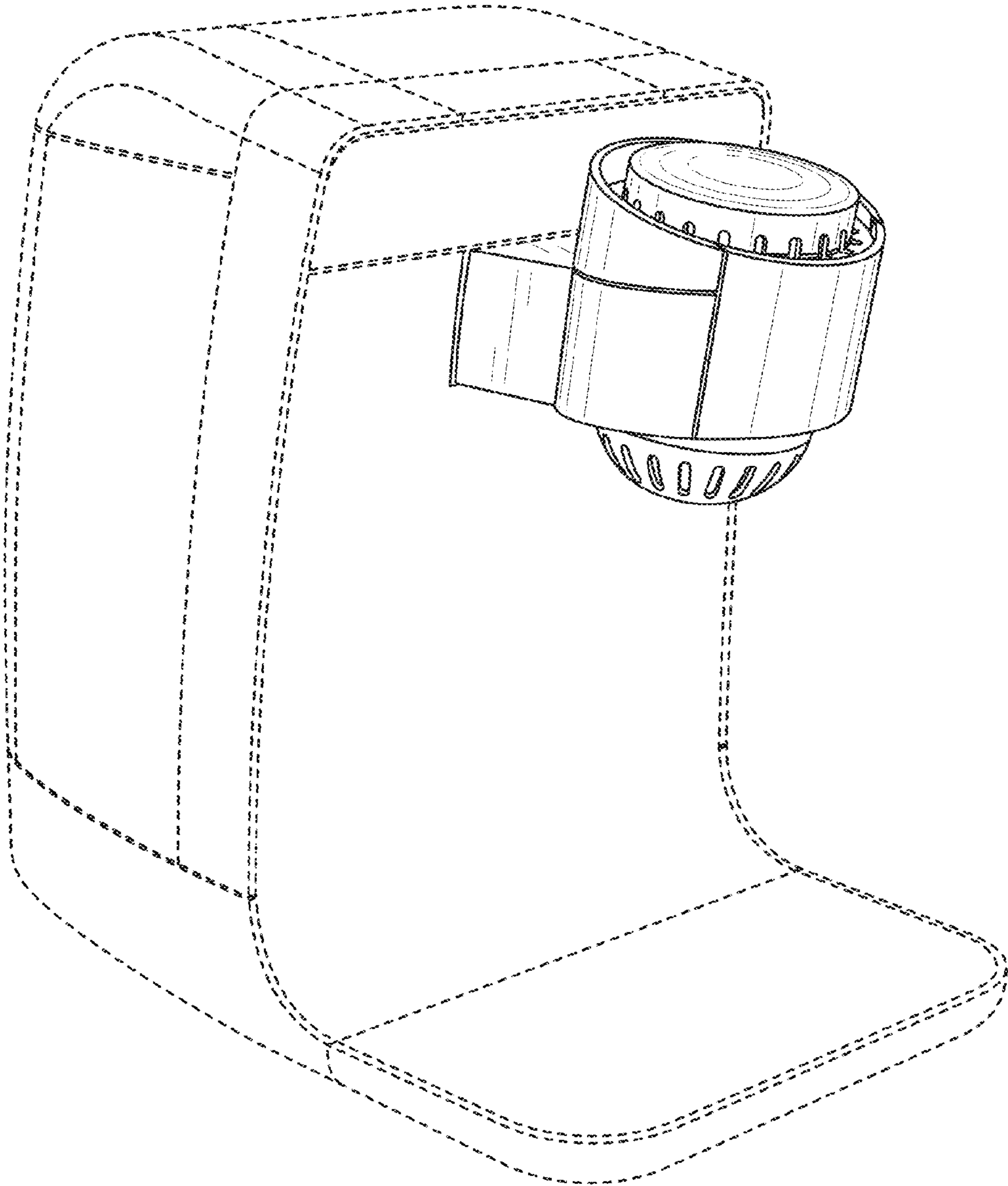


FIG. 1

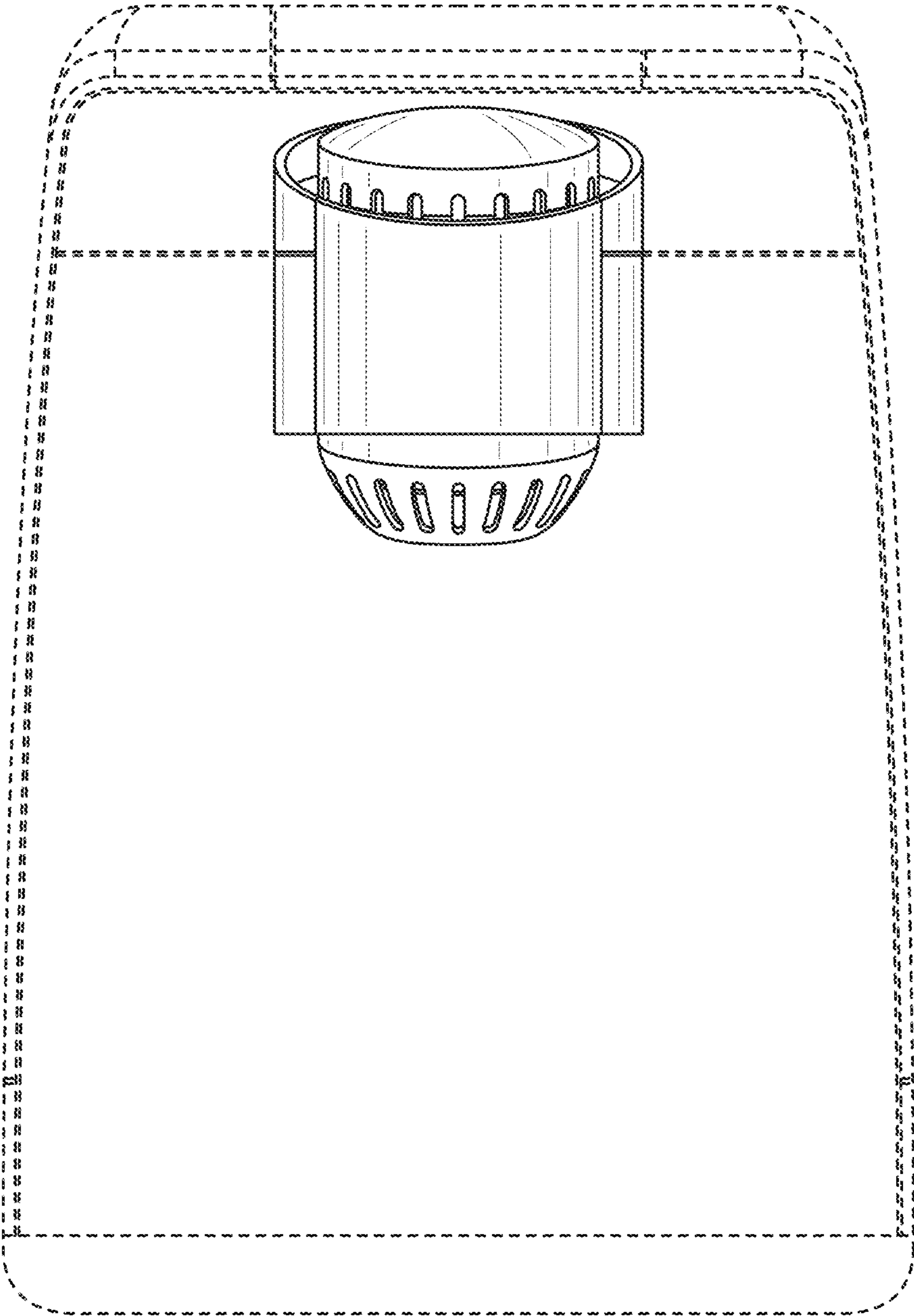


FIG. 2

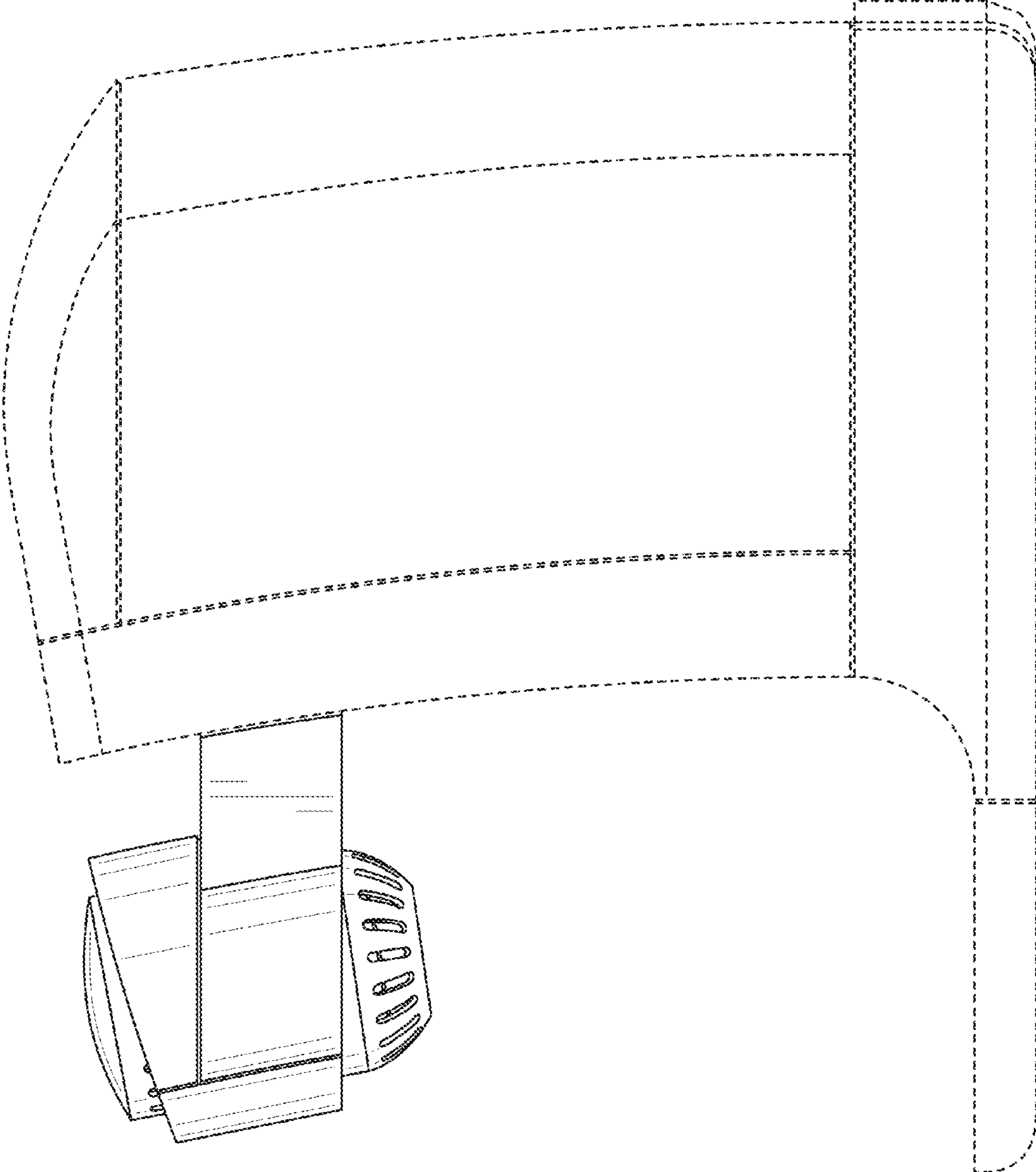


FIG. 3

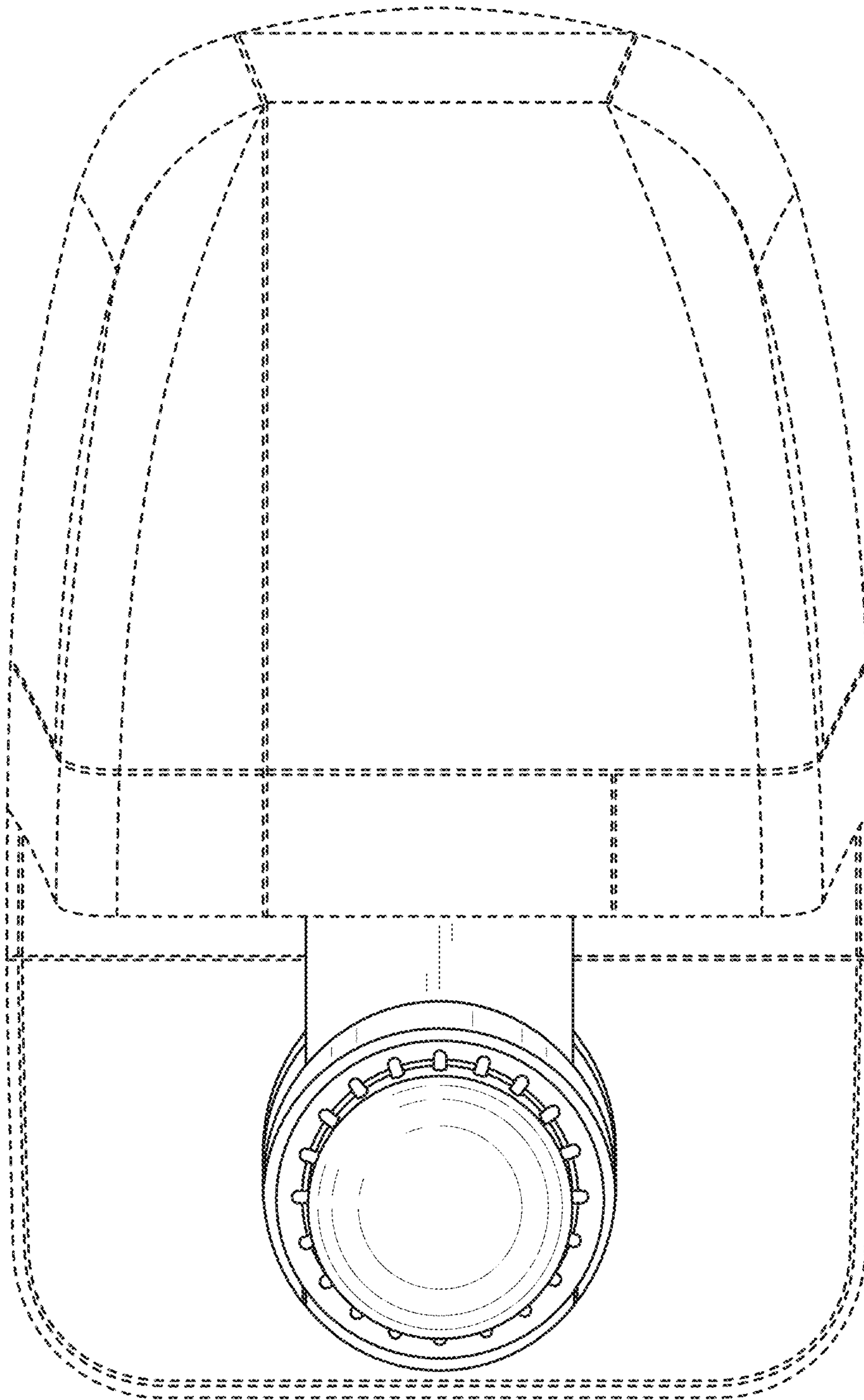


FIG. 4

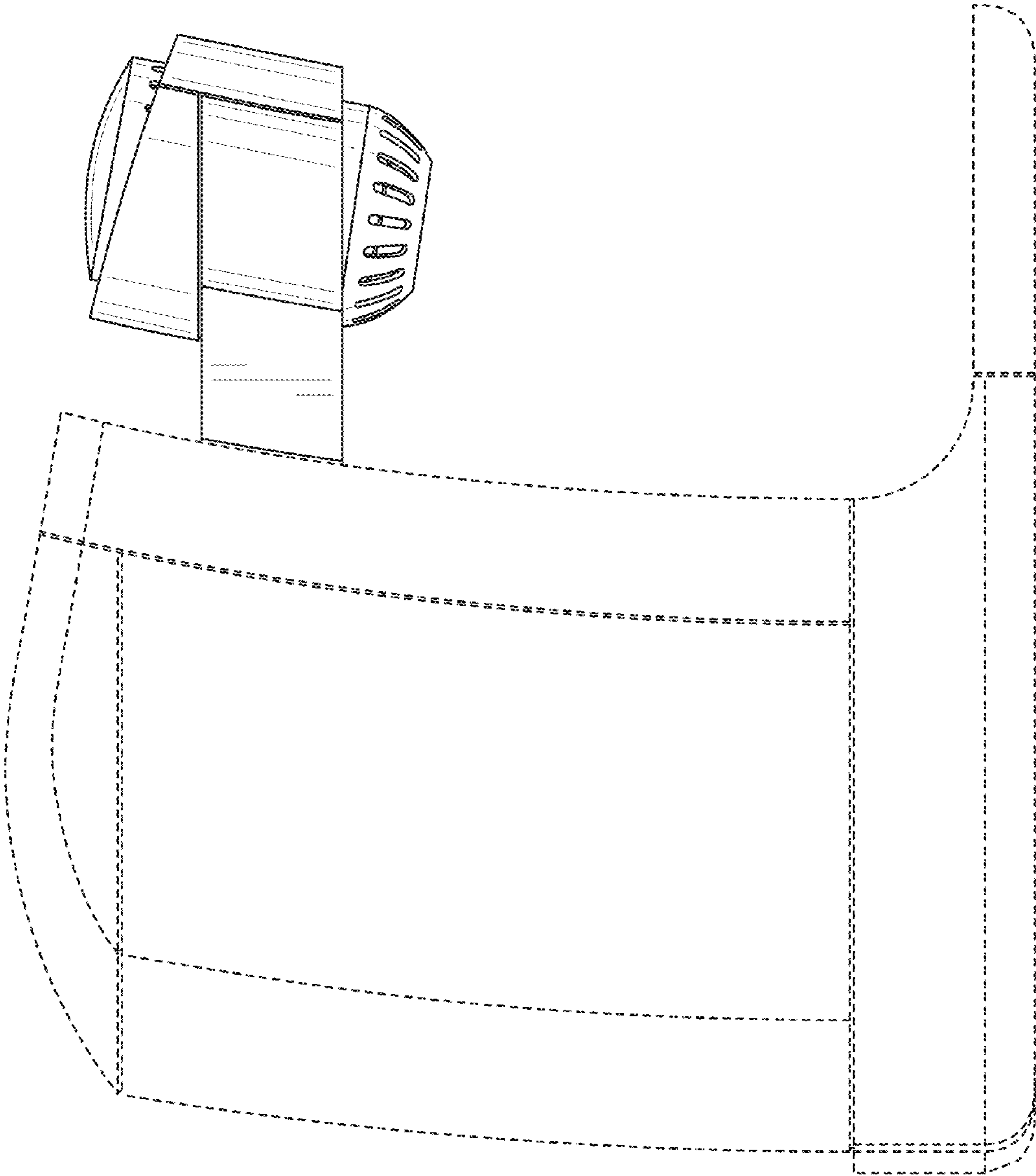


FIG. 5