



US00D719780S

(12) **United States Design Patent**  
**Sullivan**

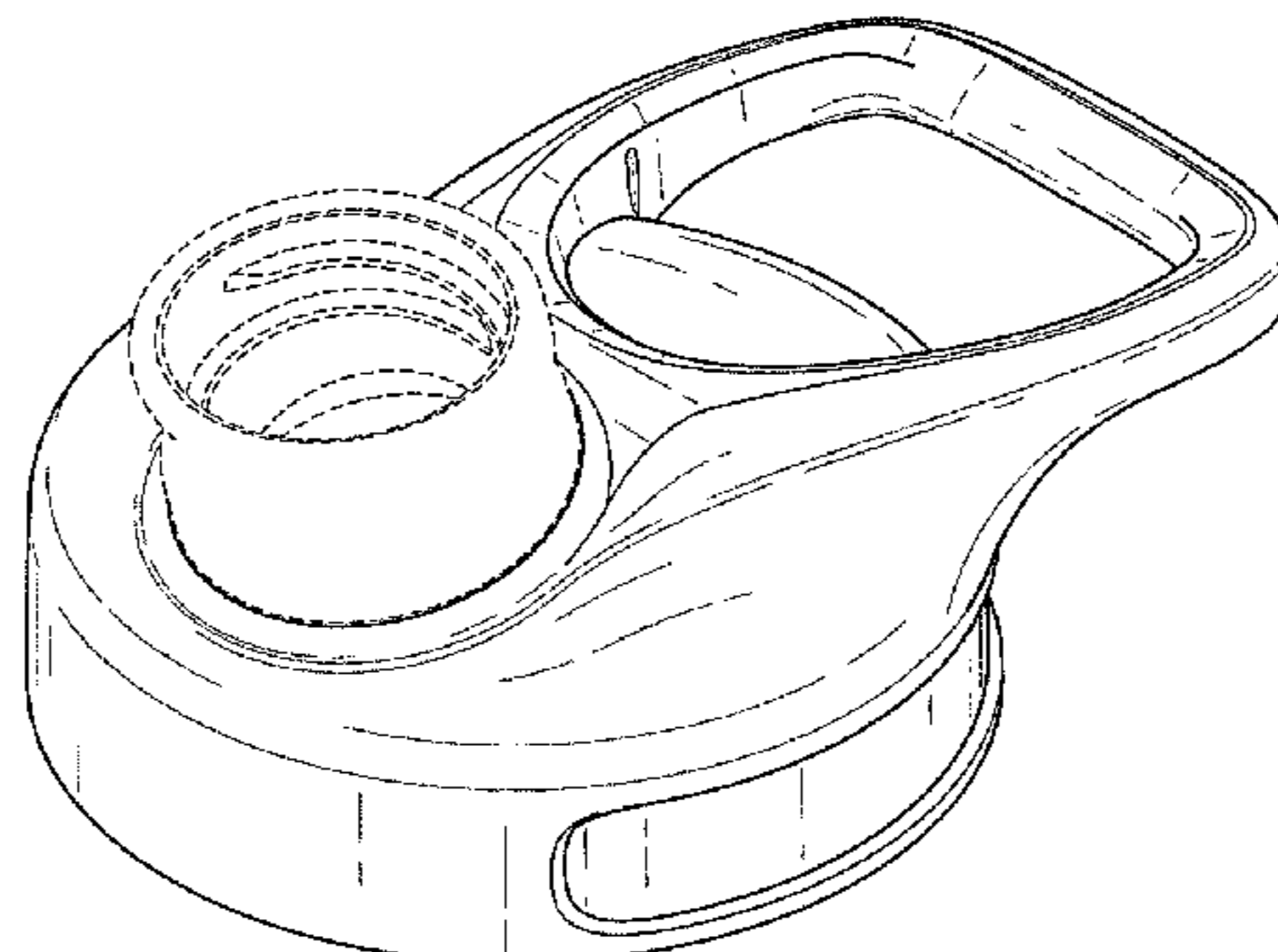
(10) **Patent No.:** **US D719,780 S**  
(45) **Date of Patent:** **\*\* Dec. 23, 2014**

- (54) **BEVERAGE CONTAINER CAP**
- (71) Applicant: **CamelBak Products, LLC**, Petaluma, CA (US)
- (72) Inventor: **Derek Gavin Sullivan**, Oakland, CA (US)
- (73) Assignee: **CamelBak Products, LLC**, Petaluma, CA (US)
- (\*\*) Term: **14 Years**
- (21) Appl. No.: **29/461,793**
- (22) Filed: **Jul. 26, 2013**
- (51) **LOC (10) Cl.** ..... **07-01**
- (52) **U.S. Cl.**  
USPC ..... **D7/392.1**
- (58) **Field of Classification Search**  
CPC ..... B65D 41/02  
USPC ..... D7/392, 391, 392.1, 397, 399, 319, 629, D7/509, 510, 511, 393, 396.2, 323; D9/447, 503, 504, 443, 523, 527; 220/254.8, 700, 703, 711, 715; D23/207, 209; 222/465.1, 475.1  
See application file for complete search history.

5,597,082 A	1/1997	Luch et al.	
D399,744 S	10/1998	Gross	
5,947,310 A	9/1999	Wagner	
6,032,829 A	3/2000	Geisinger et al.	
6,079,589 A	6/2000	Matsuyama et al.	
6,112,926 A	9/2000	Fishman	
6,131,755 A	10/2000	Soyka, Jr. et al.	
6,230,944 B1	5/2001	Castellano et al.	
D457,779 S	5/2002	Gullickson et al.	
D471,808 S	3/2003	de Castro Couto	
6,648,158 B1	11/2003	Lawrence	
6,675,998 B2	1/2004	Forsman et al.	
D489,613 S	5/2004	Campbell et al.	
7,014,077 B2	3/2006	Brown	
D547,607 S *	7/2007	Forsman	D7/396.2
D565,353 S	4/2008	Roth et al.	
7,448,509 B2	11/2008	Yang	
D586,184 S *	2/2009	Miller et al.	D7/511
D592,913 S *	5/2009	Pinelli et al.	D7/608
7,533,783 B2	5/2009	Choi et al.	
D605,942 S	12/2009	Miksovsky	
D612,731 S	3/2010	Bragg	
D614,440 S *	4/2010	Cresswell et al.	D7/392.1
7,753,240 B2	7/2010	Leoncavallo et al.	
D626,837 S *	11/2010	Meyers et al.	D9/443
D626,838 S *	11/2010	Meyers et al.	D9/443
7,866,183 B2	1/2011	Roth et al.	
7,870,968 B2	1/2011	Hanson	
D634,161 S *	3/2011	Roth et al.	D7/510
D636,671 S	4/2011	Lohrman et al.	
D640,093 S *	6/2011	Picozza et al.	D7/413
D641,623 S	7/2011	Fields	
7,980,403 B2	7/2011	Martinez	
D643,718 S	8/2011	Fields	
8,051,997 B2	11/2011	Buckley	
D649,879 S *	12/2011	Gullickson et al.	D9/450
D652,256 S *	1/2012	Eyal	D7/510
8,091,724 B2	1/2012	King	
D654,793 S *	2/2012	Rosbach	D9/447
D657,618 S *	4/2012	Wahl	D7/392.1
D657,994 S *	4/2012	Wahl et al.	D7/392
8,191,727 B2 *	6/2012	Davies et al.	220/707
8,245,870 B2	8/2012	McKinney et al.	
D669,310 S *	10/2012	Barreto et al.	D7/510
8,328,037 B2	12/2012	Wu	
8,371,244 B2	2/2013	Krasner	
D678,717 S	3/2013	Yasui	
D679,541 S *	4/2013	Samartgis	D7/392.1
D682,034 S *	5/2013	El-Saden et al.	D7/510
8,443,993 B1	5/2013	Desselle	
8,443,994 B1	5/2013	Desselle	
D683,581 S *	6/2013	Archer	D7/392.1
8,469,226 B2 *	6/2013	Davies et al.	220/707

(56) **References Cited**  
U.S. PATENT DOCUMENTS

2,117,407 A	5/1938	Davis	
D133,978 S	10/1942	Johnson	
2,549,225 A	4/1951	Moy	
2,588,275 A	3/1952	Nadai	
2,962,185 A	11/1960	Starr et al.	
3,181,725 A	5/1965	Friedl	
3,307,752 A *	3/1967	Anderson	222/465.1
3,944,104 A	3/1976	Watson et al.	
4,265,363 A	5/1981	Conn	
4,711,365 A	12/1987	Fomby	
D319,981 S	9/1991	Sledge	
5,044,512 A	9/1991	Giancaspro et al.	
5,207,341 A	5/1993	Yeager	
5,244,106 A	9/1993	Takacs	
D368,032 S	3/1996	Couto	



2005/0011897	A1	1/2005	Stuart	
2005/0274741	A1	12/2005	Cho	
2007/0039959	A1*	2/2007	Choi et al.	..... 220/212.5
2008/0017642	A1	1/2008	King	
2008/0078200	A1	4/2008	Roth et al.	
2008/0087624	A1	4/2008	Buckley	
2008/0142466	A1	6/2008	Balitski	
2009/0152231	A1	6/2009	Hanson	
2009/0236341	A1	9/2009	McKinney et al.	
2009/0250426	A1	10/2009	Martinez	
2011/0127232	A1	6/2011	Willows et al.	
2011/0284541	A1	11/2011	Webster et al.	
2012/0298614	A1	11/2012	Nelson	

FOREIGN PATENT DOCUMENTS

WO WO 2012/095491 7/2012

OTHER PUBLICATIONS

Crestline. "Halo Water Bottle." Wayback Machine, <http://www.crestline.com/halo-water-bottle-9452.aspx>, Jan. 16, 2011, 1 page.  
 Crestline. "Halo Water Bottle." Wayback Machine, <http://www.crestline.com/halo-water-bottle-9452.aspx>, May 16, 2012, 1 page.

\* cited by examiner

*Primary Examiner* — George D Kirschbaum  
*Assistant Examiner* — Kendra L Hamilton  
 (74) *Attorney, Agent, or Firm* — DASCENZO Intellectual Property Law, P.C.

(57) **CLAIM**

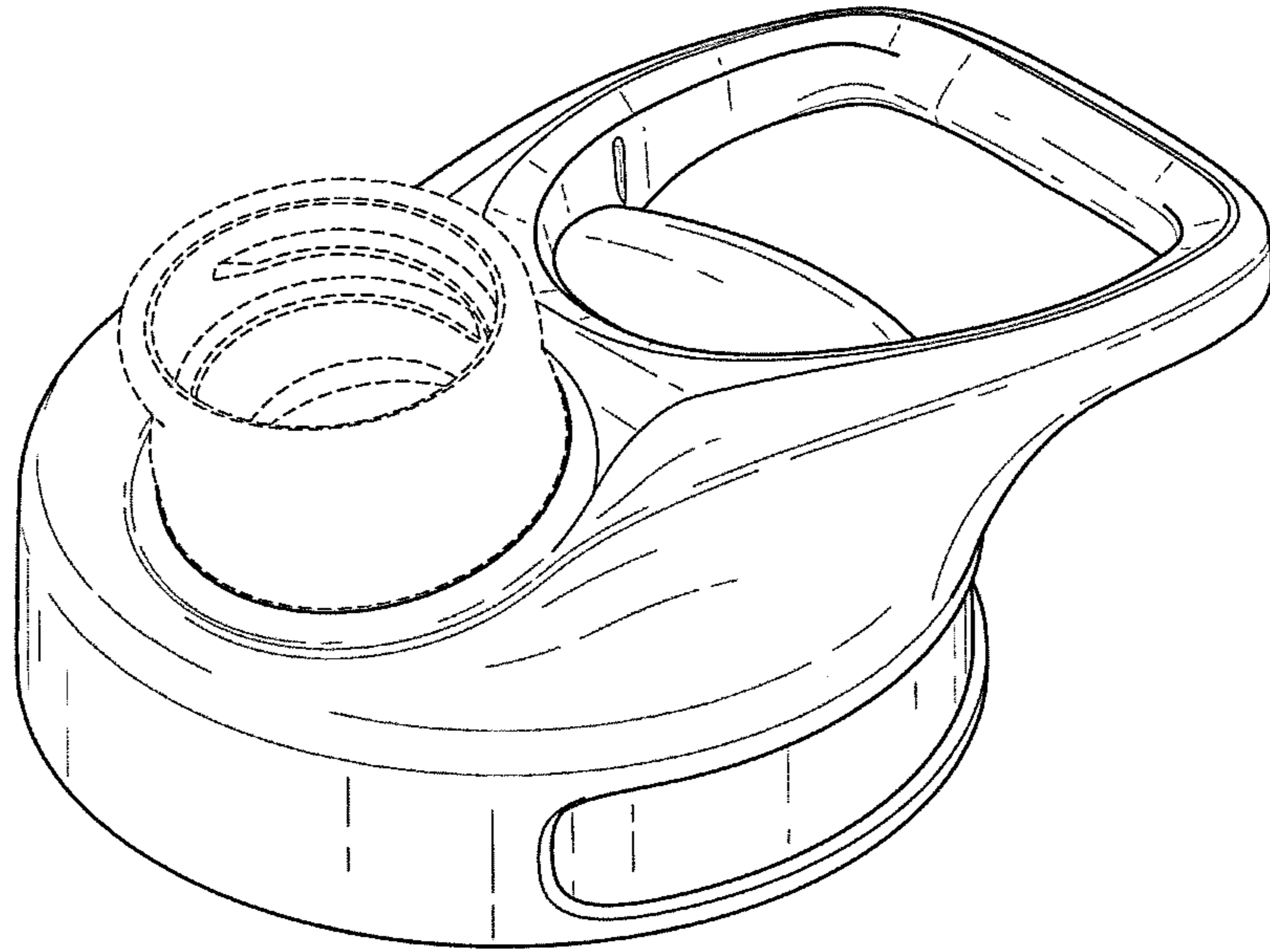
The ornamental design for a beverage container cap, as shown and described.

**DESCRIPTION**

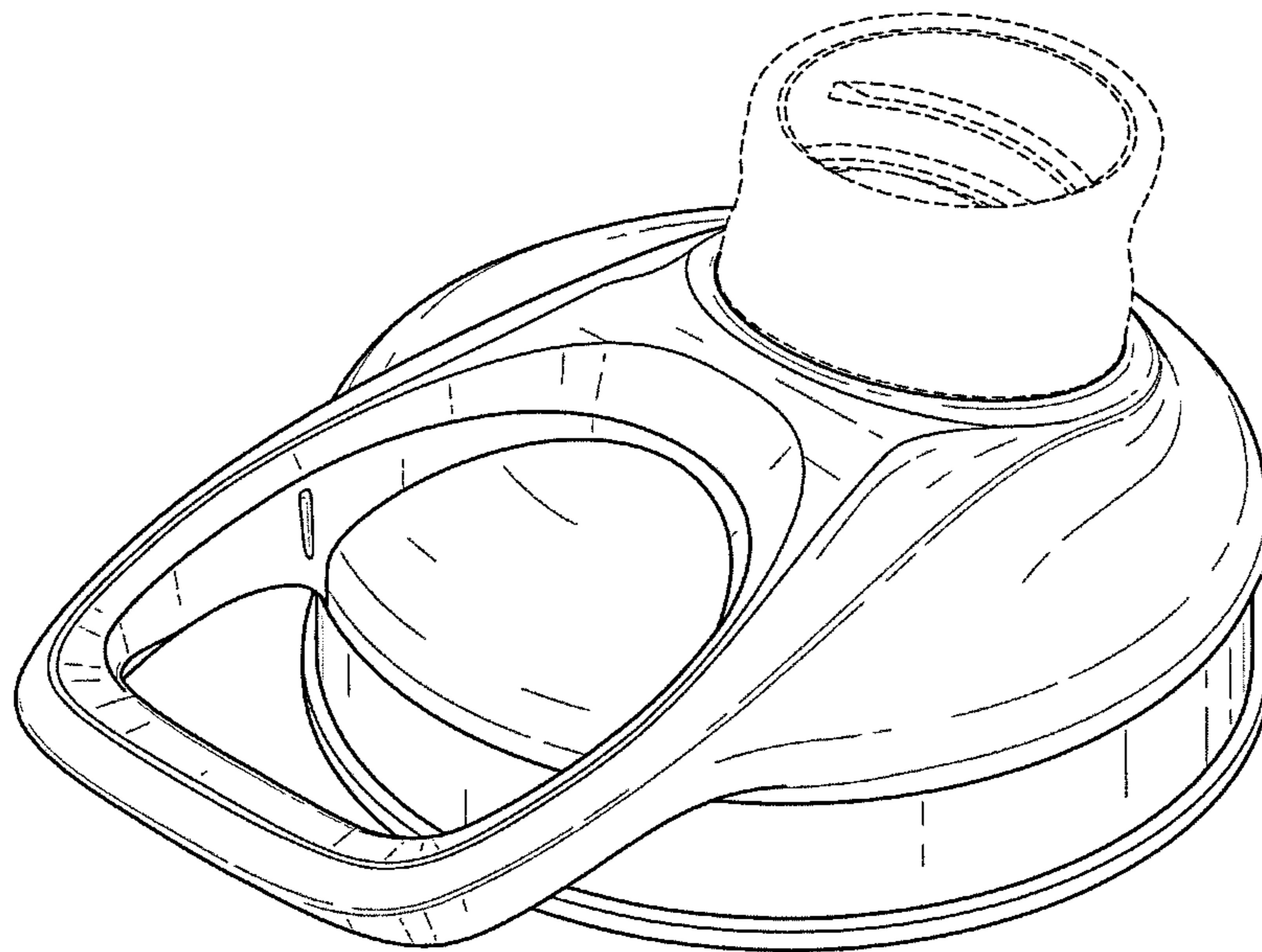
FIG. 1 is a front, top, left isometric view of the new design.  
 FIG. 2 is a rear, top, right isometric view of the new design.  
 FIG. 3 is a left side view of the new design.  
 FIG. 4 is a right side view of the new design.  
 FIG. 5 is a front view of the new design.

FIG. 6 is a rear view of the new design.  
 FIG. 7 is a top view of the new design.  
 FIG. 8 is a bottom view of the new design.  
 FIG. 9 is a front, top, left isometric view of the new design.  
 FIG. 10 is a front, top, left isometric view of the new design, with the drink spout cover in a closed position over the drink spout of the cap.  
 FIG. 11 is a rear, top, right isometric view of the new design, with the drink spout cover in a closed position over the drink spout of the cap.  
 FIG. 12 is a left side view of the new design, with the drink spout cover in a closed position over the drink spout of the cap.  
 FIG. 13 is a right side view of the new design, with the drink spout cover in a closed position over the drink spout of the cap.  
 FIG. 14 is a front view of the new design, with the drink spout cover in a closed position over the drink spout of the cap.  
 FIG. 15 is a rear view of the new design, with the drink spout cover in a closed position over the drink spout of the cap.  
 FIG. 16 is a top view of the new design, with the drink spout cover in a closed position over the drink spout of the cap.  
 FIG. 17 is a bottom view of the new design, with the drink spout cover in a closed position over the drink spout of the cap.  
 FIG. 18 is a front, top, left isometric view of the new design, with the drink spout cover in a stowed position removed from the drink spout of the cap.  
 FIG. 19 is a rear, top, right isometric view of the new design, with the drink spout cover in a stowed position removed from the drink spout of the cap; and,  
 FIG. 20 is a left side view of the new design, with the drink spout cover in a stowed position removed from over the drink spout of the cap.  
 The broken lines showing portions of a cap, a liquid container, a drink spout cover and a tether are included for the purpose of illustrating environmental structure and form no part of the claimed design.

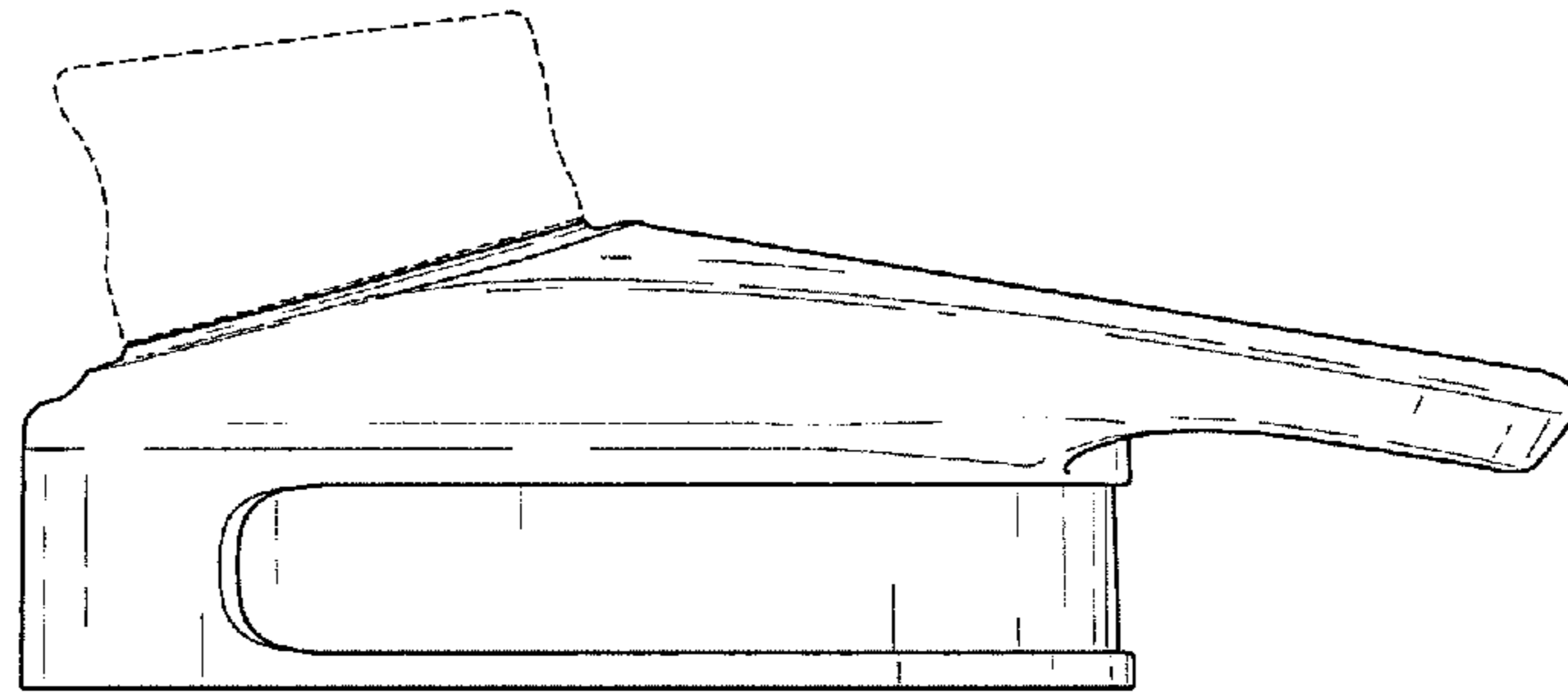
**1 Claim, 10 Drawing Sheets**



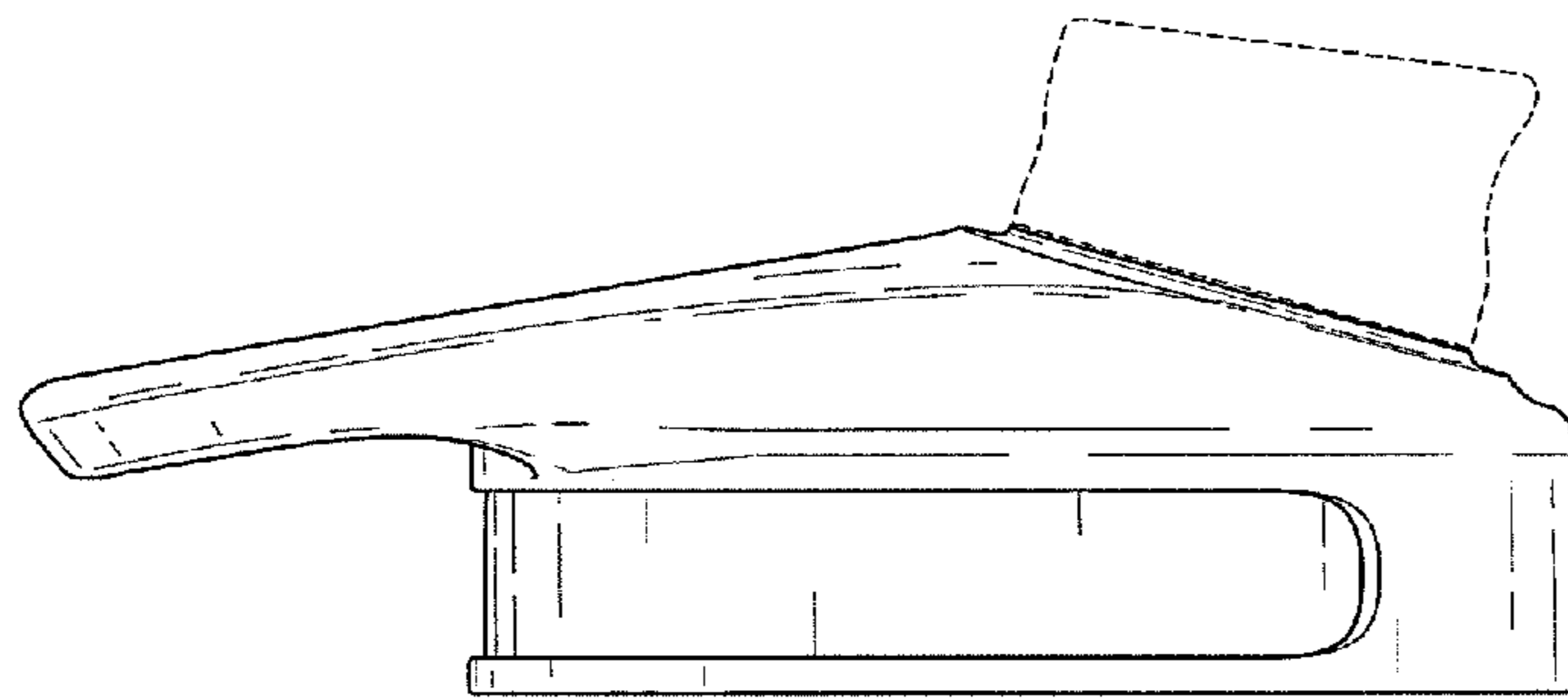
*Fig. 1*



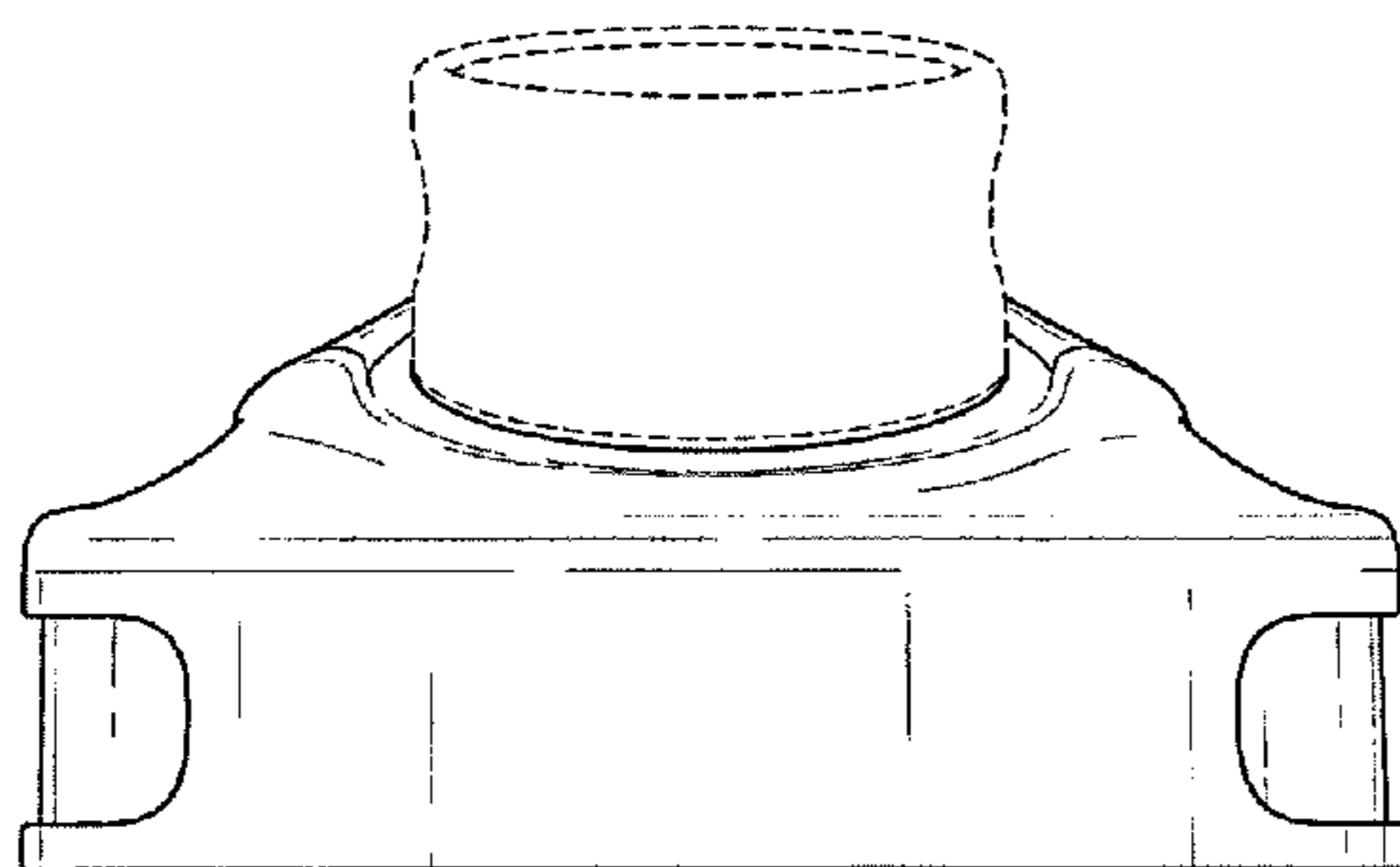
*Fig. 2*



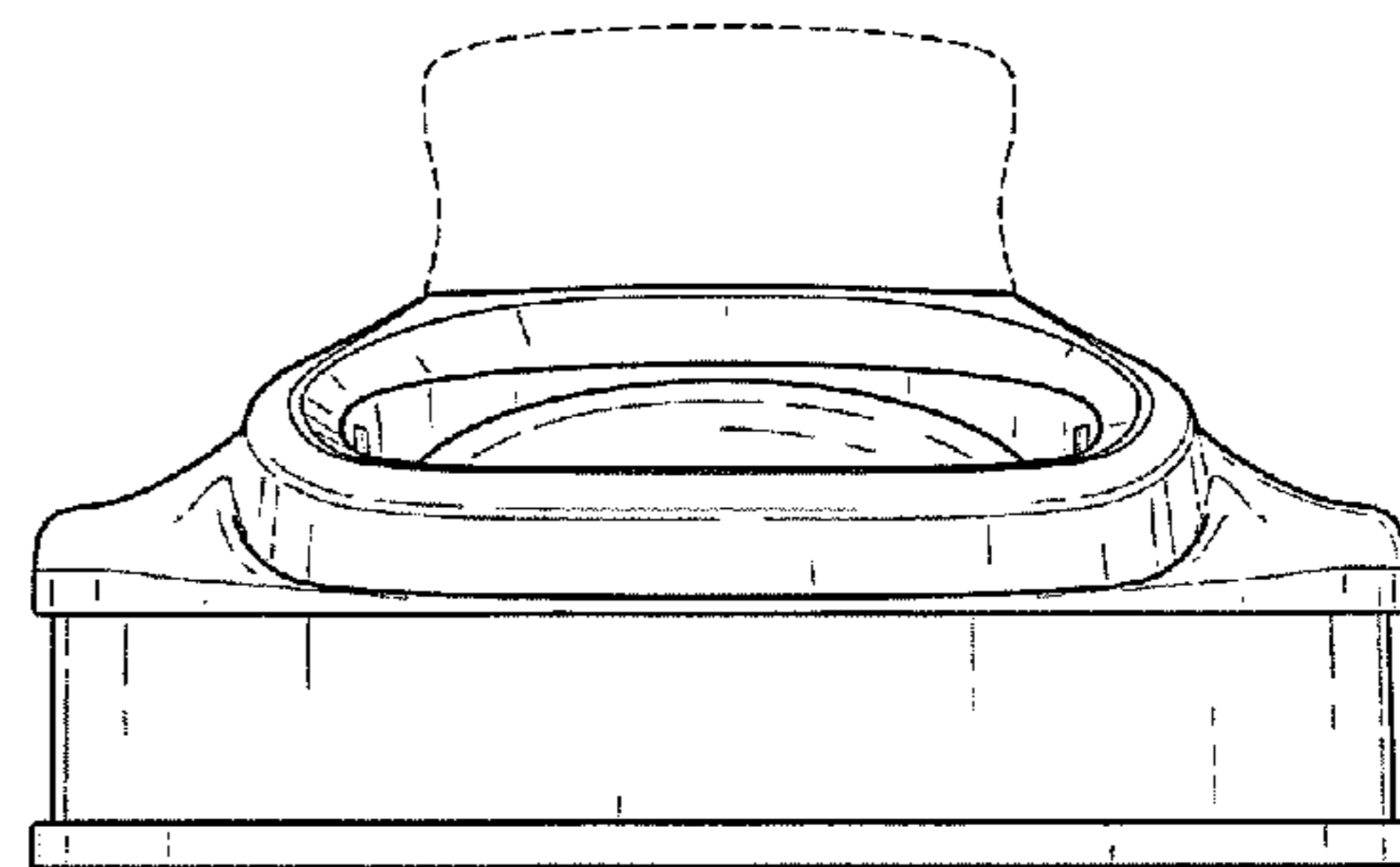
*Fig. 3*



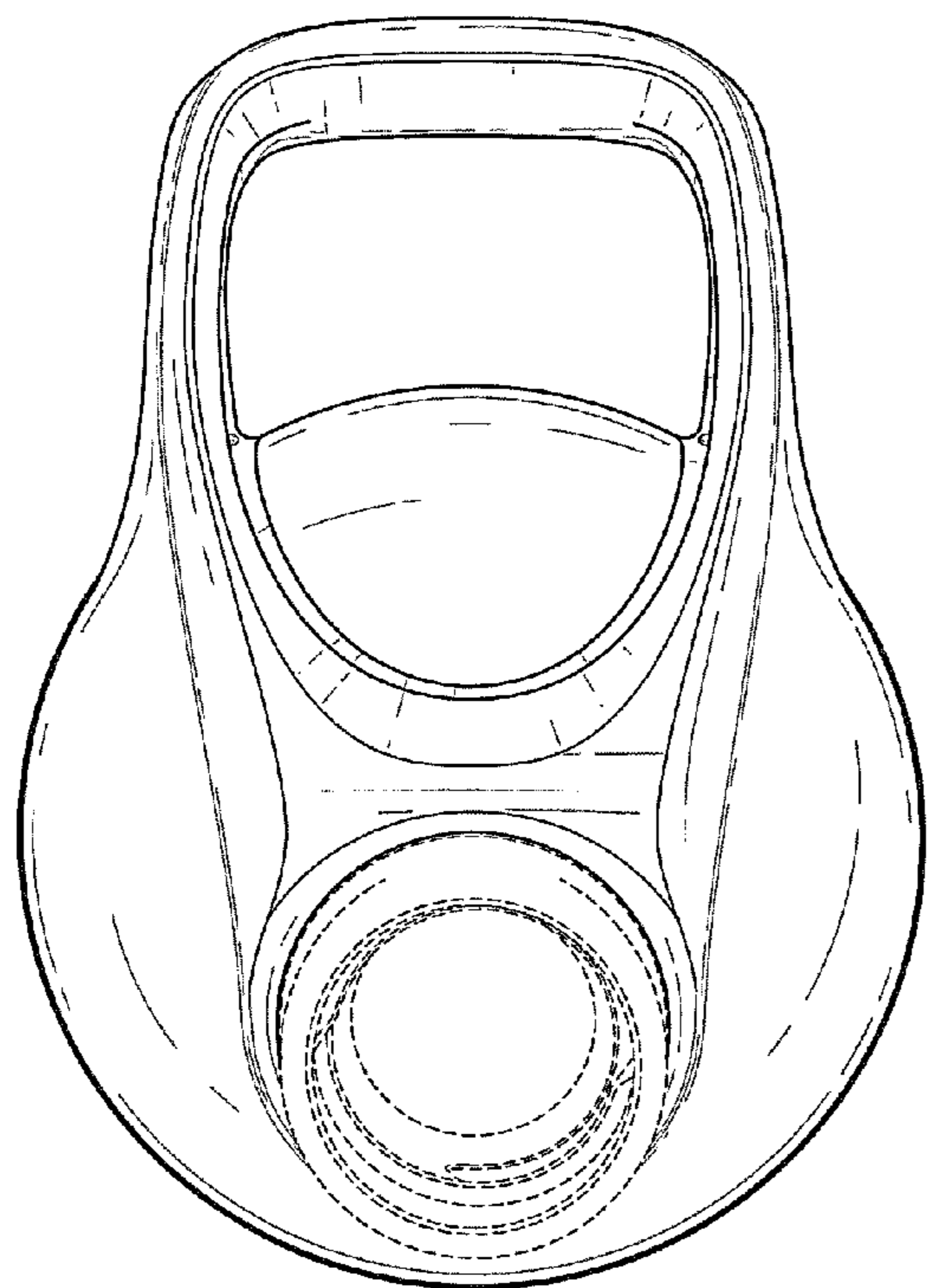
*Fig. 4*



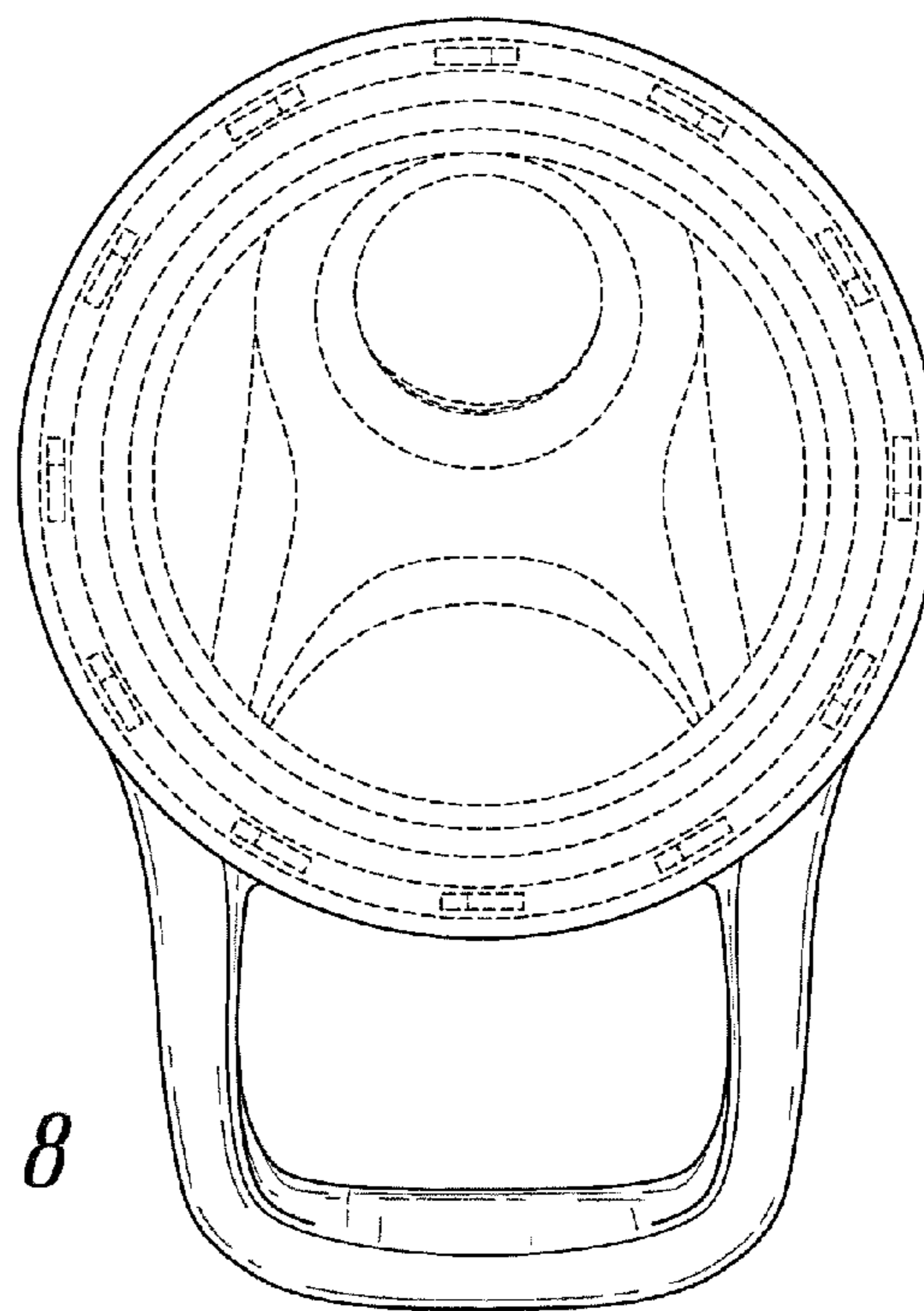
*Fig. 5*



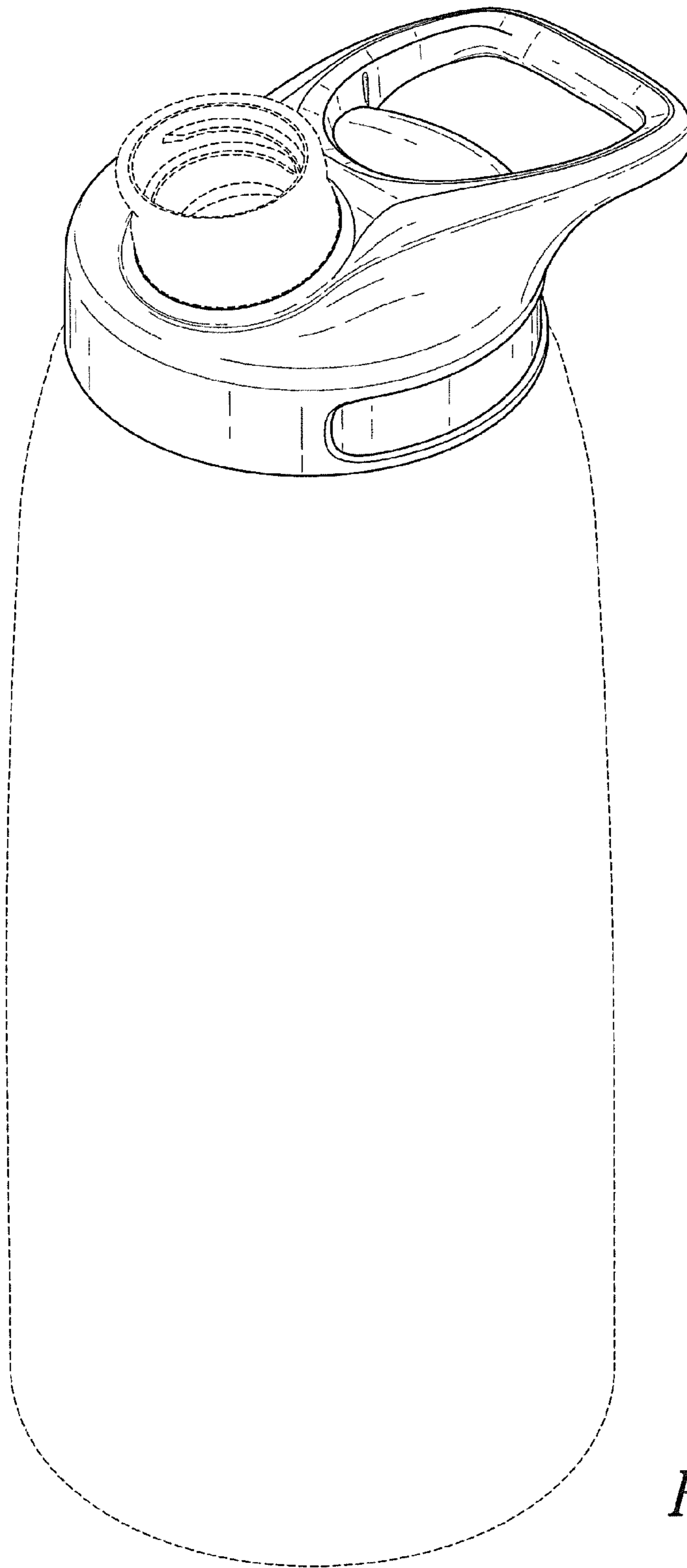
*Fig. 6*



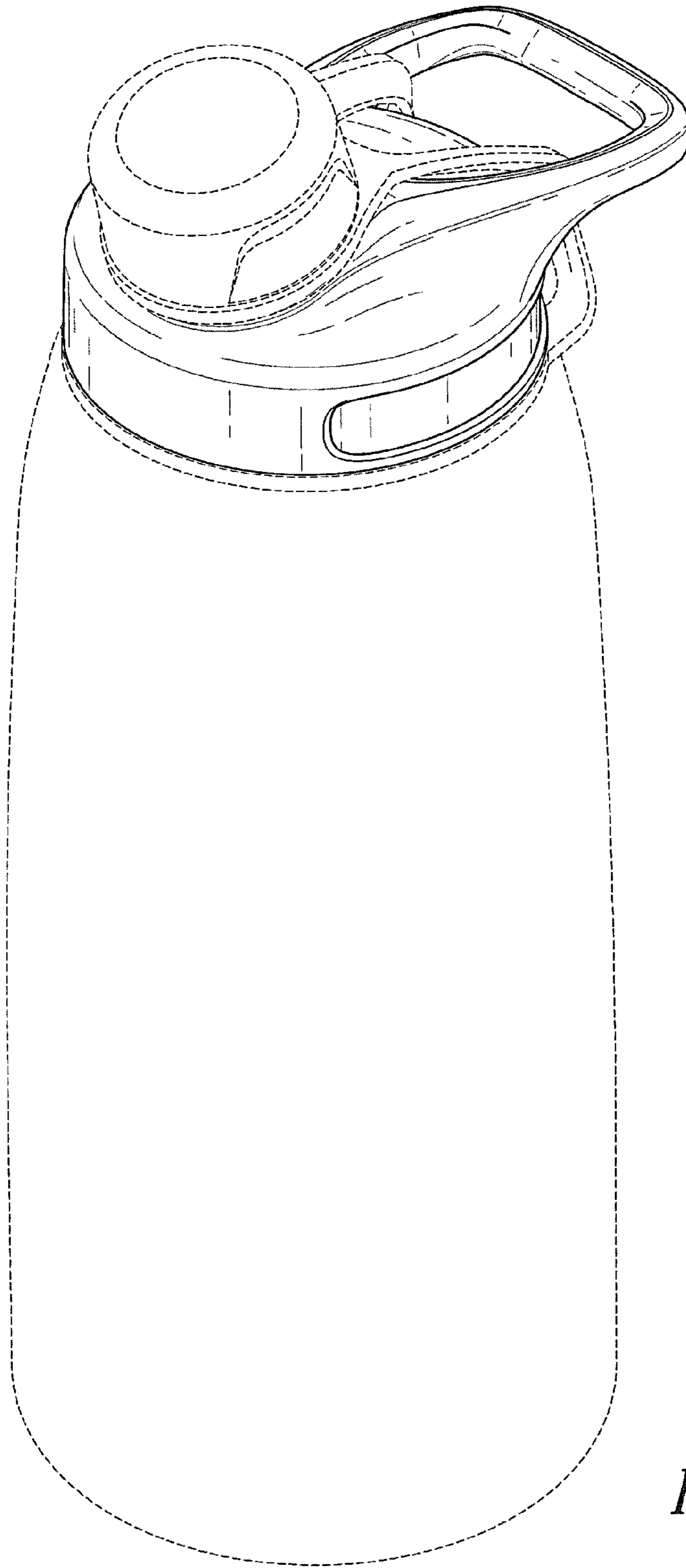
*Fig. 7*



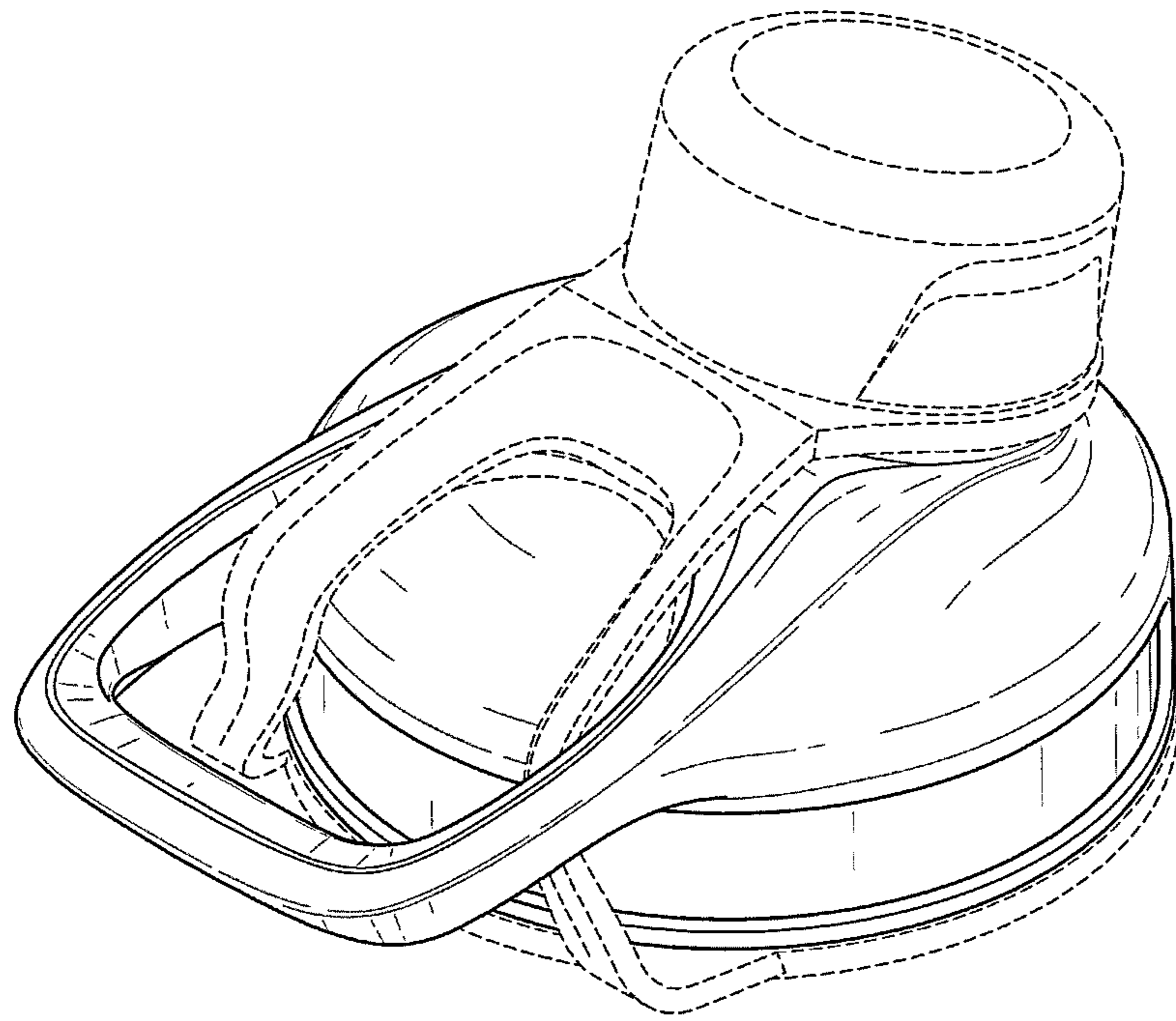
*Fig. 8*



*Fig. 9*

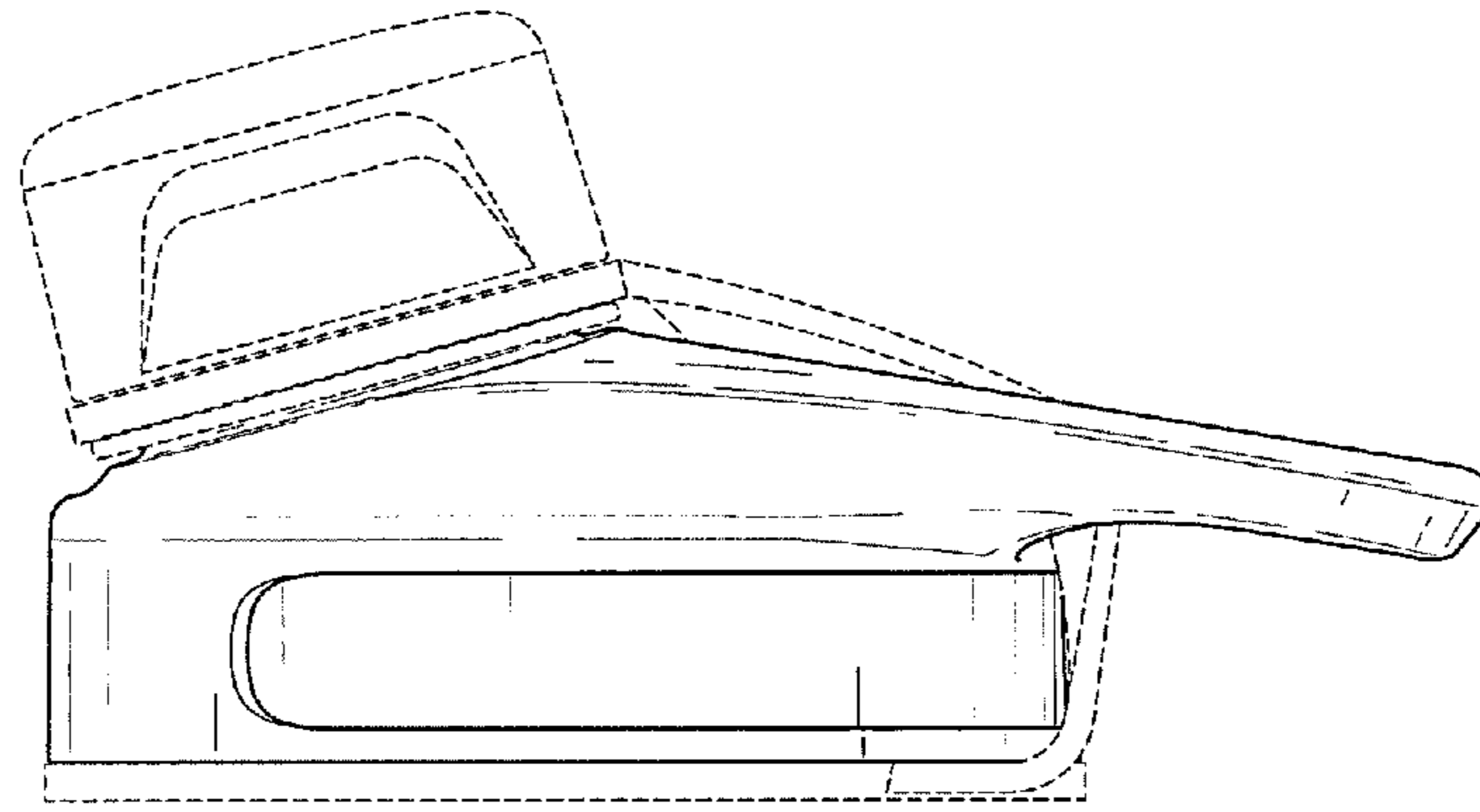


*Fig. 10*

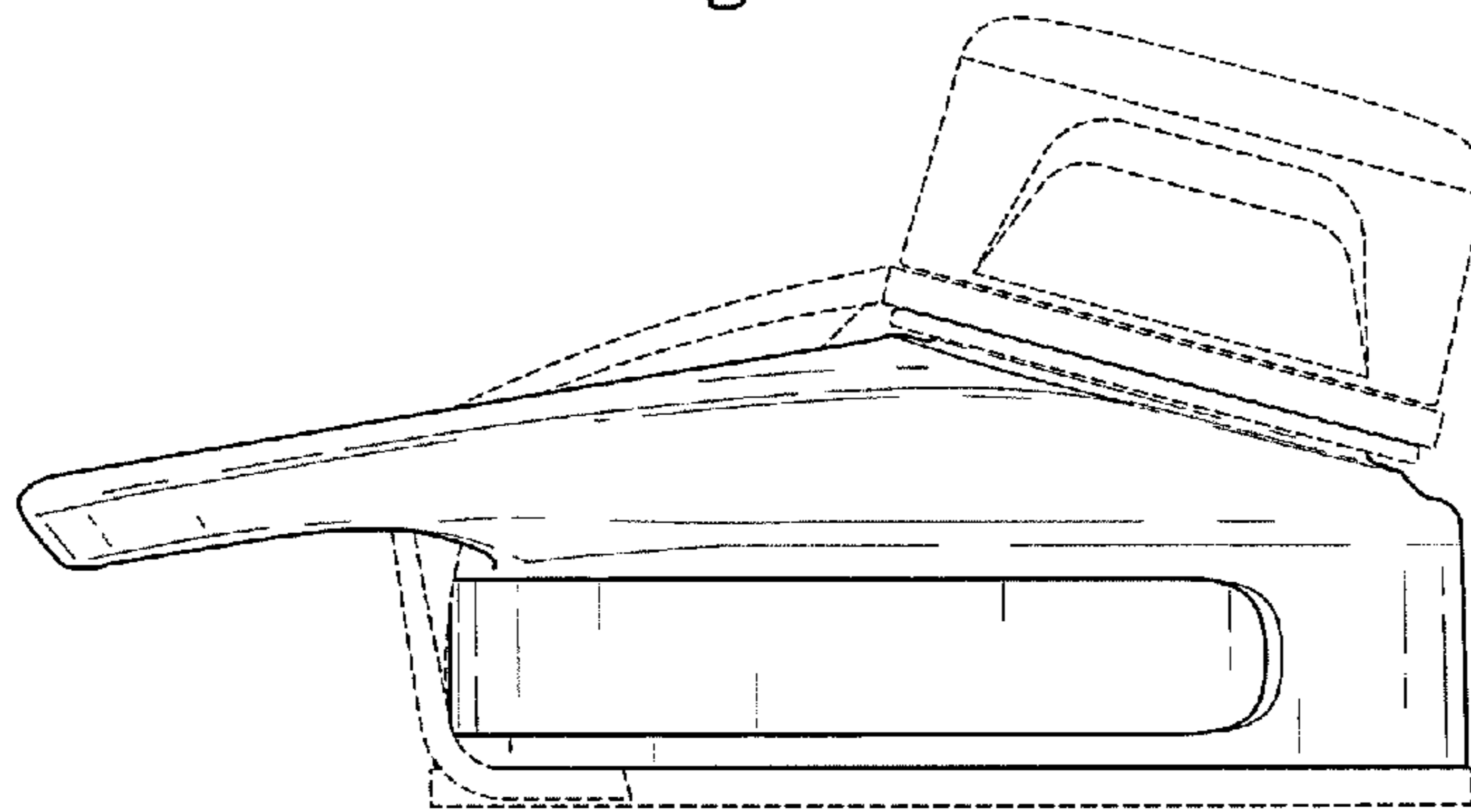


*Fig. 11*

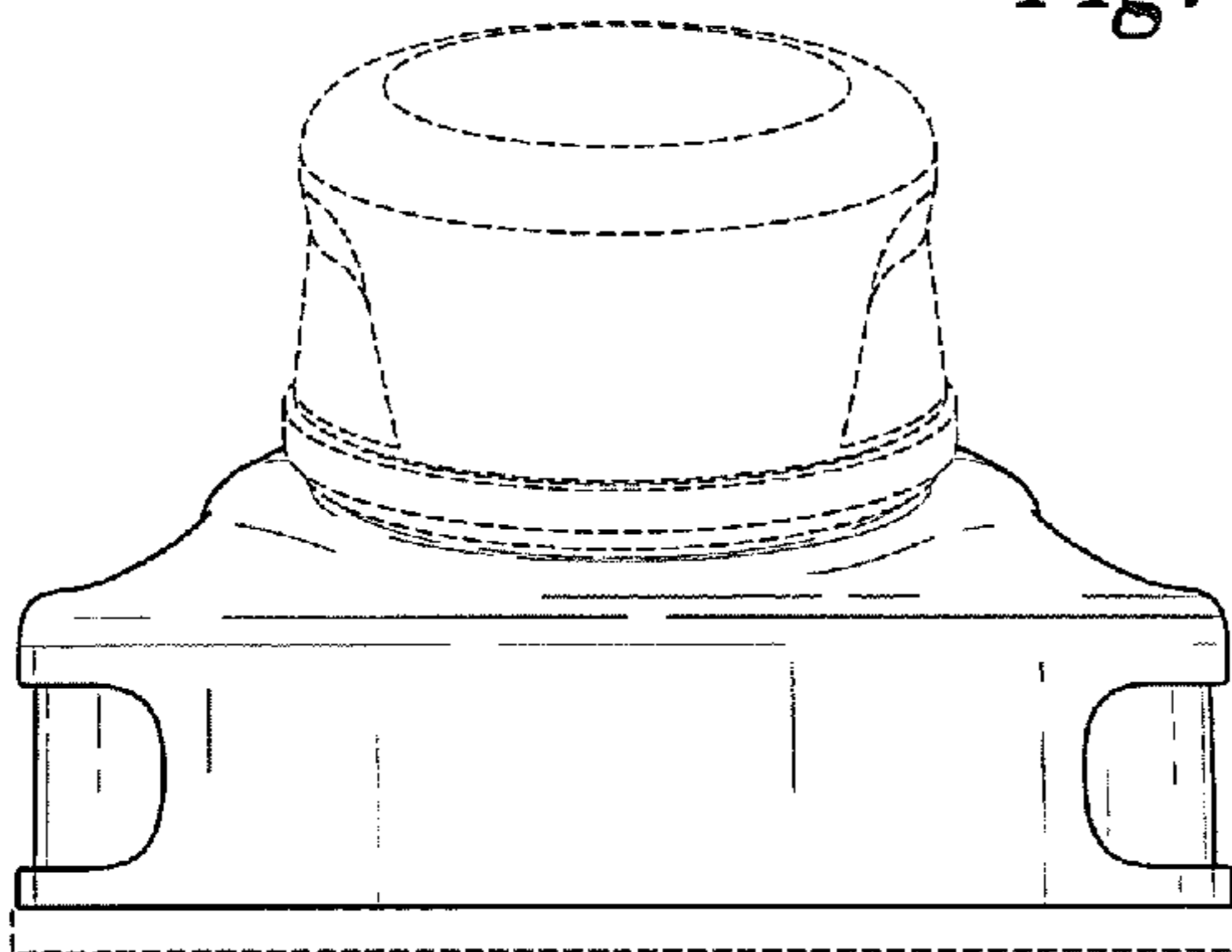




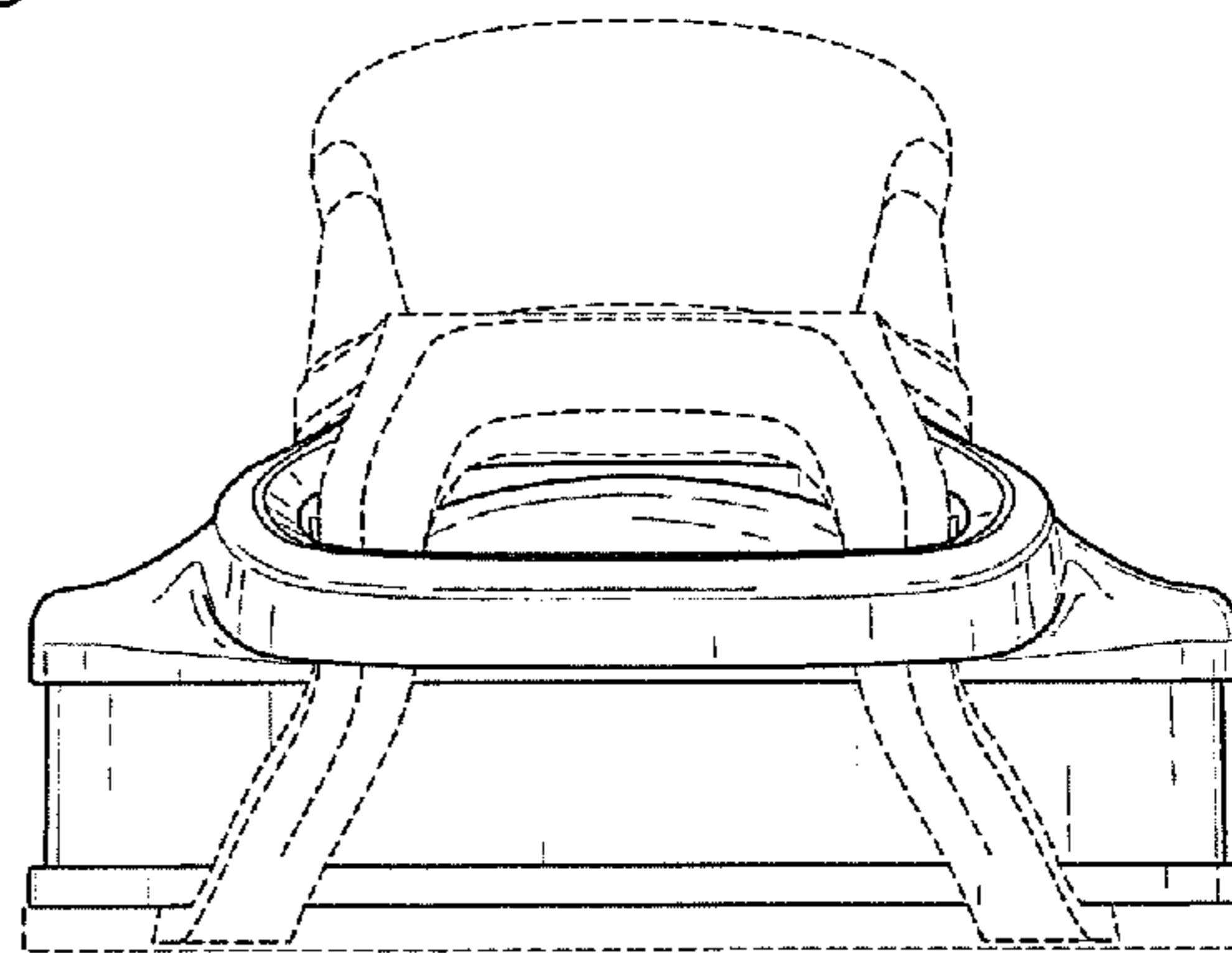
*Fig. 12*



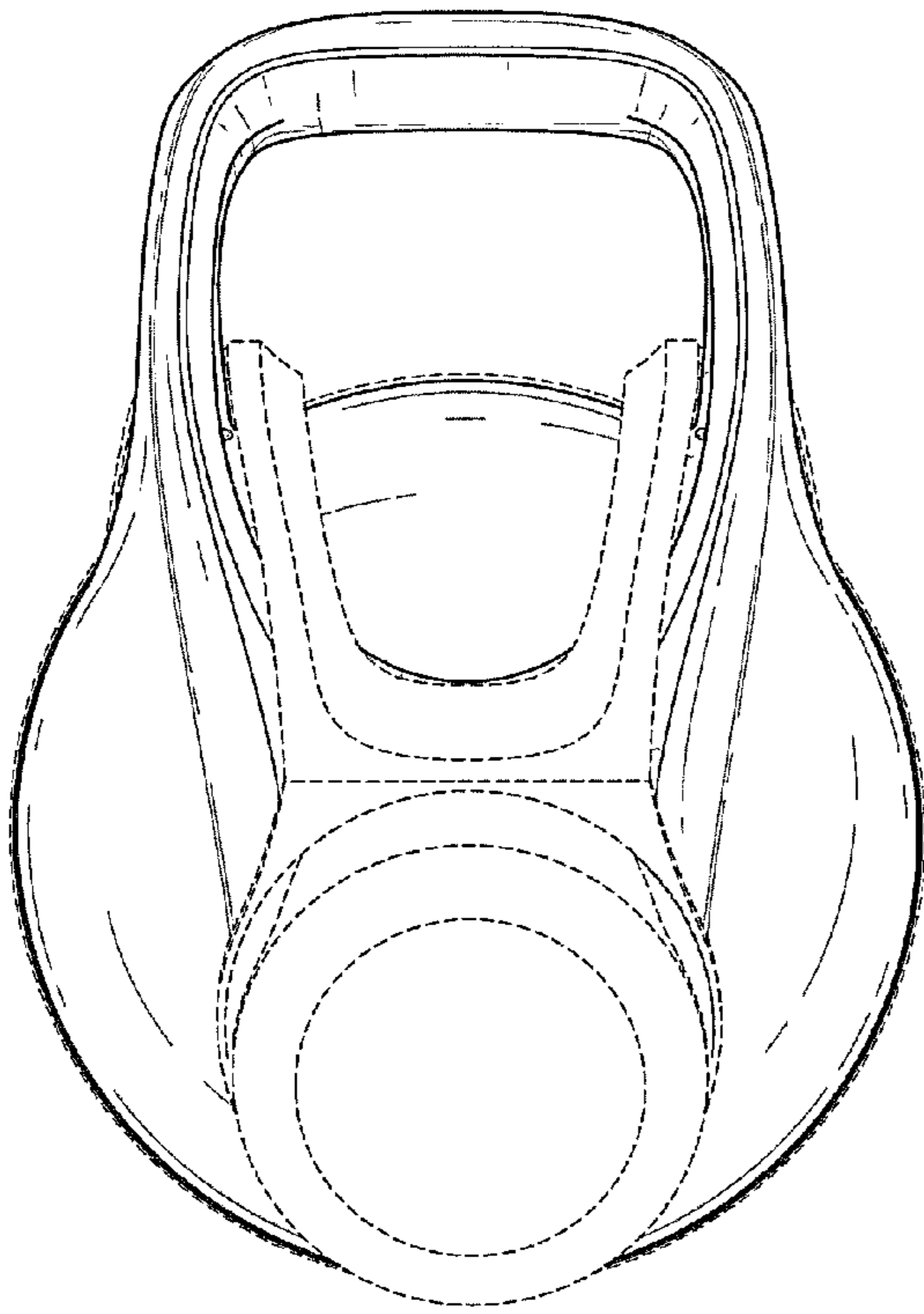
*Fig. 13*



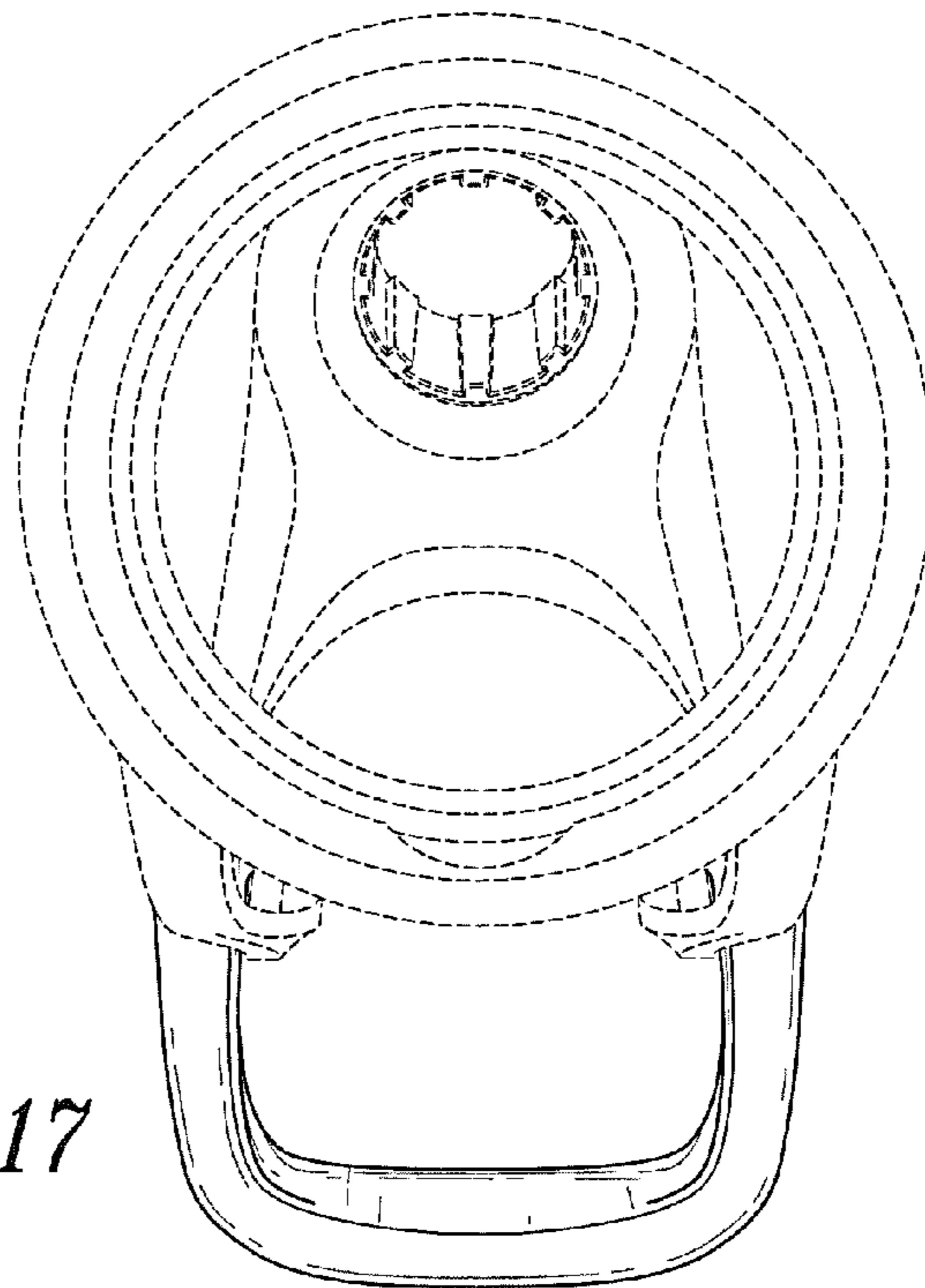
*Fig. 14*



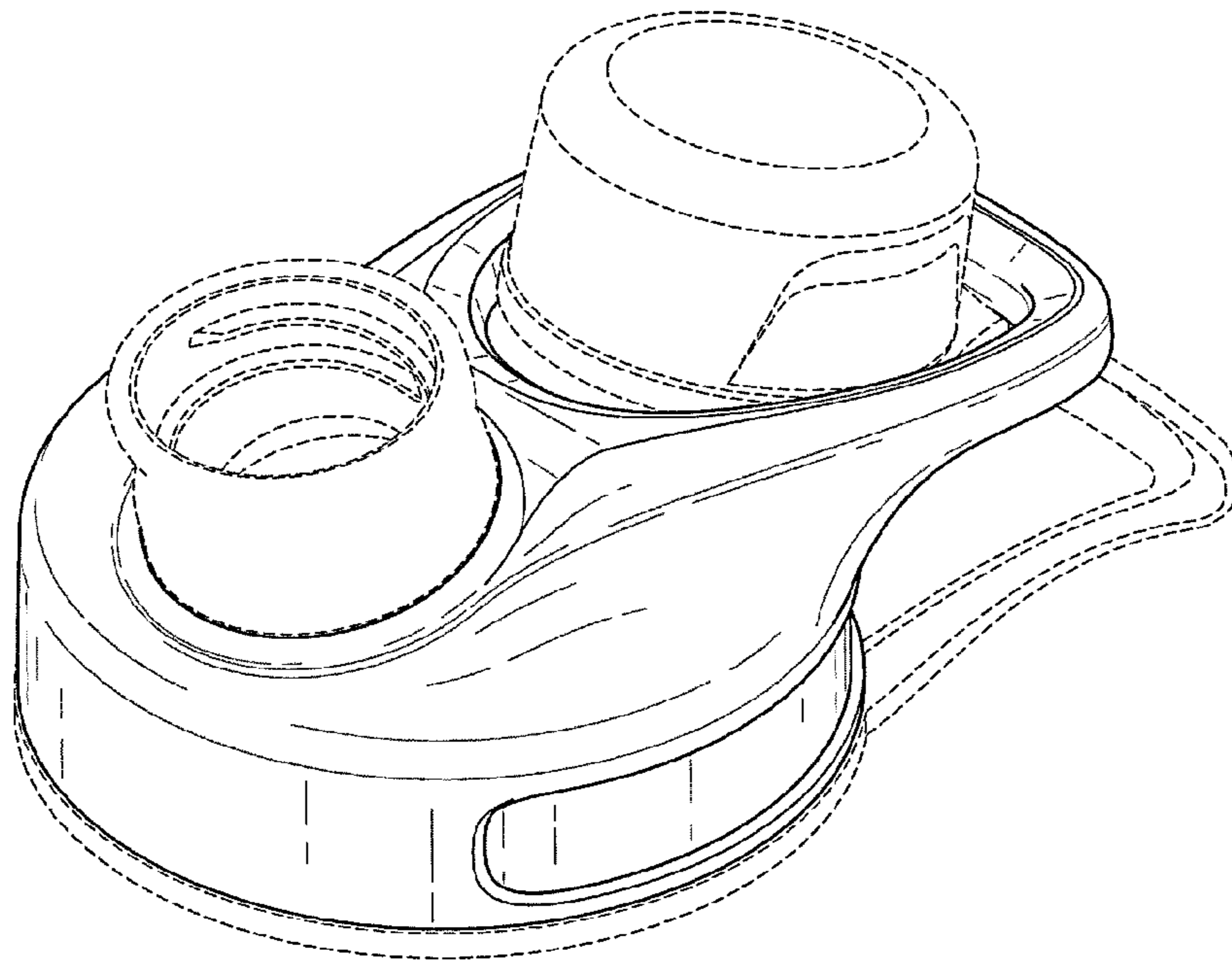
*Fig. 15*



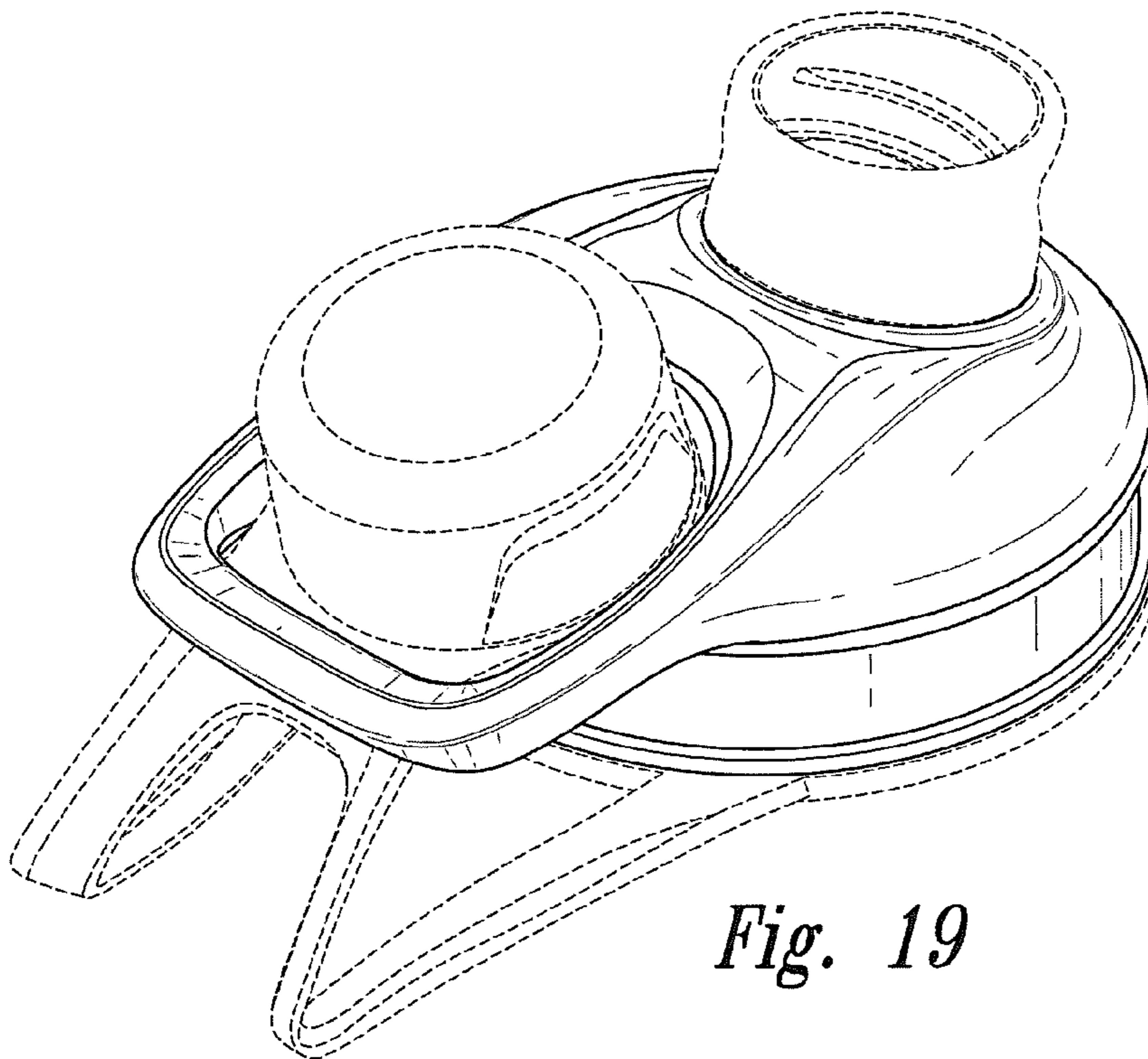
*Fig. 16*



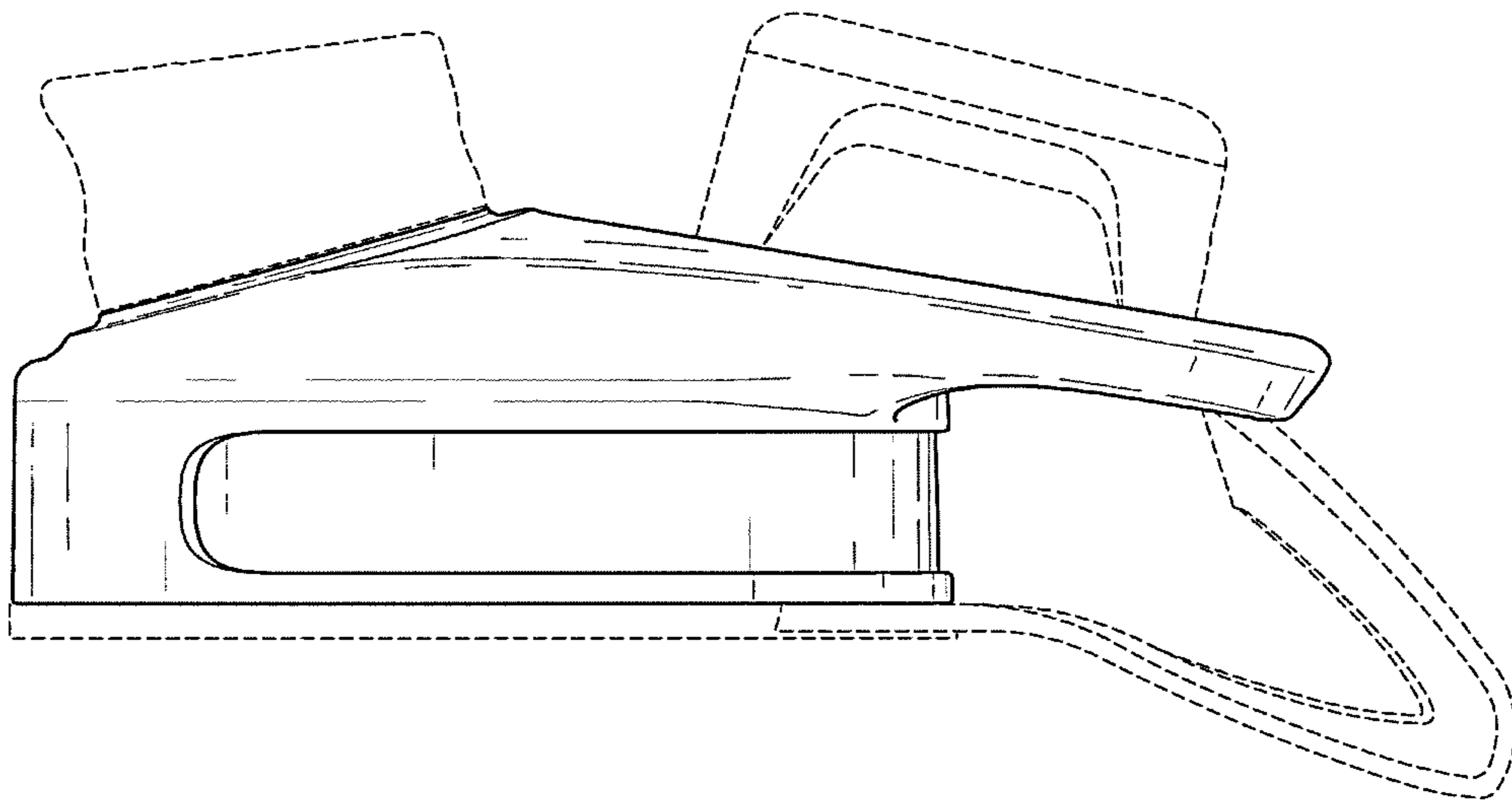
*Fig. 17*



*Fig. 18*



*Fig. 19*



*Fig. 20*