



US00D719779S

(12) **United States Design Patent**  
**Vu et al.**

(10) **Patent No.:** **US D719,779 S**  
(45) **Date of Patent:** **\*\* Dec. 23, 2014**

(54) **FOOD PROCESSOR**

241/101.01–101.2, 166–169.1, 274–278.2,  
241/285.1–285.3, 291, 292.1; 366/64–65,  
366/97–98, 100, 130, 197–201, 205–207,  
366/219–220, 341–343

(71) Applicant: **De’Longhi Braun Household GmbH**,  
Neu-Isenburg (DE)

See application file for complete search history.

(72) Inventors: **Duy Phong Vu**, Schwalbach am Taunus  
(DE); **Markus Orthey**, Eltville am  
Rhein (DE); **Sven Wuttig**, Griesheim  
(DE); **Dennis Müller**, Frankfurt am  
Main (DE)

(56) **References Cited**

U.S. PATENT DOCUMENTS

|           |   |   |        |               |       |          |
|-----------|---|---|--------|---------------|-------|----------|
| D282,620  | S | * | 2/1986 | Cavalli       | ..... | D7/384   |
| D293,873  | S | * | 1/1988 | Maass         | ..... | D7/384   |
| 4,799,626 | A | * | 1/1989 | Hickel et al. | ..... | 241/37.5 |
| D328,999  | S | * | 9/1992 | Maass         | ..... | D7/384   |
| D392,150  | S | * | 3/1998 | Tanaka et al. | ..... | D7/384   |
| 5,875,706 | A | * | 3/1999 | Borger et al. | ..... | 99/492   |
| D413,227  | S | * | 8/1999 | Alonge et al. | ..... | D7/384   |

(Continued)

(73) Assignee: **De’Longhi Braun Household GmbH**,  
Neu-Isenburg (DE)

(\*\*) Term: **14 Years**

(21) Appl. No.: **29/483,980**

(22) Filed: **Mar. 5, 2014**

*Primary Examiner* — Ricky Pham

(74) *Attorney, Agent, or Firm* — Fish & Richardson P.C.

(30) **Foreign Application Priority Data**

Sep. 6, 2013 (EM) ..... 002303990-0003

(51) **LOC (10) Cl.** ..... **31-00**

(52) **U.S. Cl.**  
USPC ..... **D7/384; D7/376; D7/386; D7/412**

(58) **Field of Classification Search**

CPC ..... A21C 1/02; A21C 1/04; A23N 1/00;  
A23N 1/02; A47J 43/04; A47J 43/25; A47J  
43/27; A47J 43/042; A47J 43/044; A47J  
43/046; A47J 43/075; A47J 43/0722; A47J  
43/0727; A47J 43/087; B01F 3/00; B01F  
3/0807; B01F 3/0853; B01F 13/0059; B01F  
13/0064; B02C 1/08; B02C 2/04; B02C 4/42;  
B02C 4/142; B02C 4/143; B02C 4/423;  
B02C 13/1835; B02C 5/10; B02C 5/12;  
B02C 5/14; B02C 5/16  
USPC ..... D7/372, 376–386, 412–413, 602, 629,  
D7/665–666, 669, 679, 693–694; 99/492,  
99/509–511; 241/37.5, 92, 98,

(57) **CLAIM**

The ornamental design for a food processor, substantially as  
shown and described.

**DESCRIPTION**

FIG. 1 is a right side view of a food processor of the design.  
FIG. 2 is an opposite, left side view of a food processor of the  
design.

FIG. 3 is a front view of a food processor of the design.

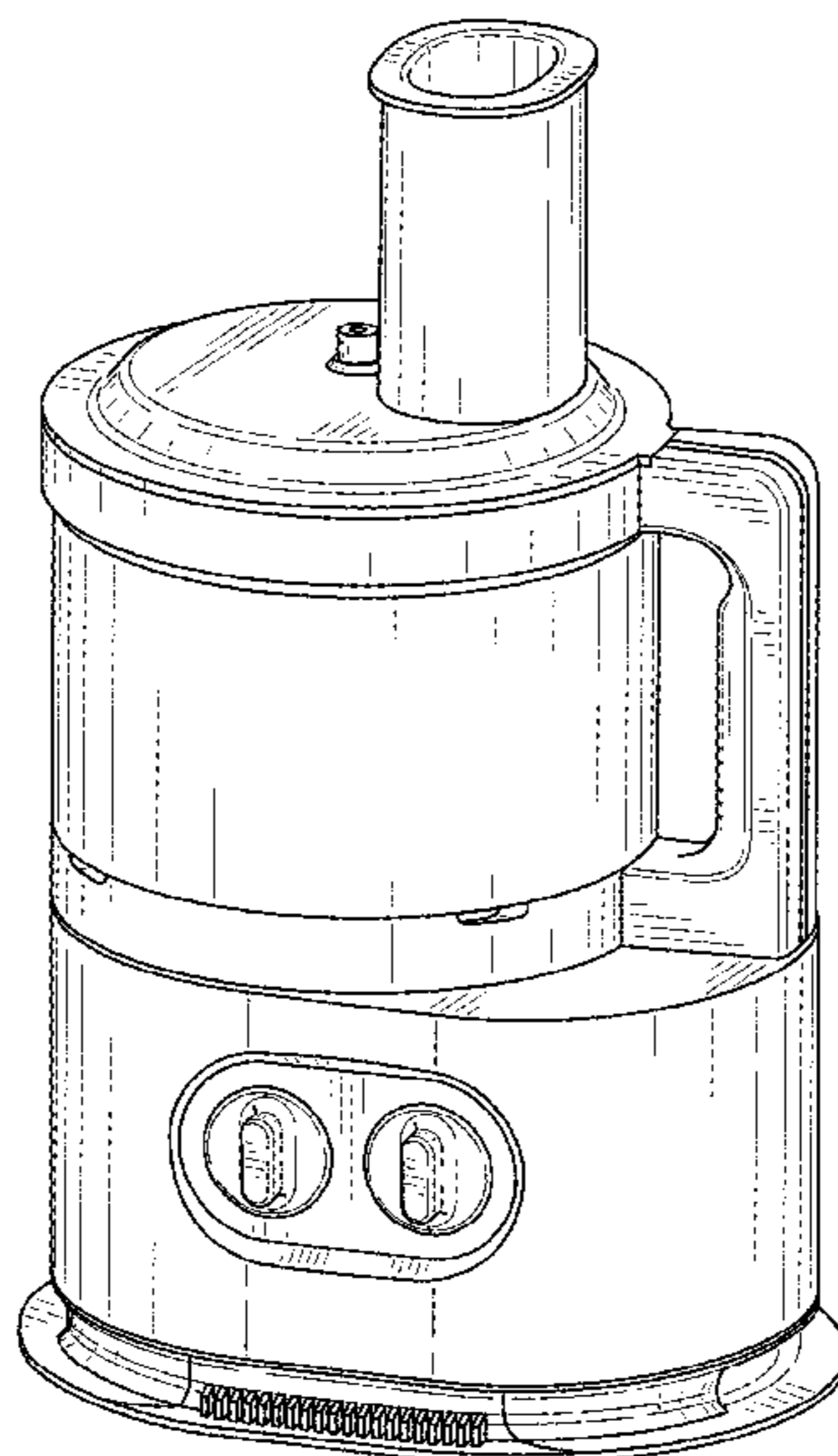
FIG. 4 is a rear view of a food processor of the design.

FIG. 5 is a top view of a food processor of the design.

FIG. 6 is a bottom view of a food processor of the design; and,

FIG. 7 is a top, rear and right side perspective view of a food  
processor of the design.

**1 Claim, 4 Drawing Sheets**



# US D719,779 S

Page 2

---

(56)

## References Cited

### U.S. PATENT DOCUMENTS

D418,362 S \* 1/2000 Wong ..... D7/384  
6,202,547 B1 \* 3/2001 Tseng et al. .... 99/511  
7,419,111 B2 \* 9/2008 Gursel ..... 241/282.1

D582,204 S \* 12/2008 Garman ..... D7/378  
D662,353 S \* 6/2012 Vulliermet ..... D7/376  
D700,009 S \* 2/2014 Lebosse ..... D7/381

\* cited by examiner

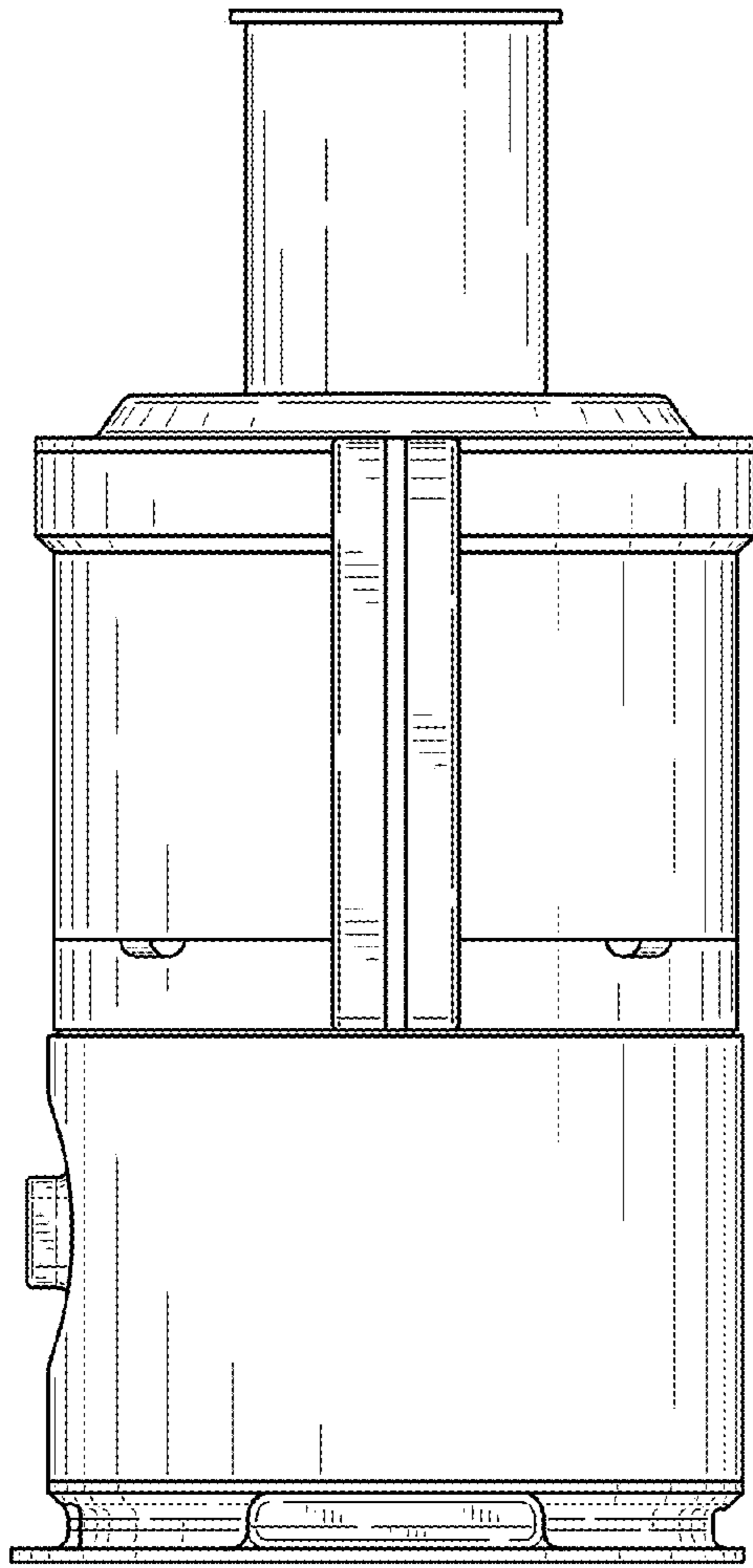


FIG. 1

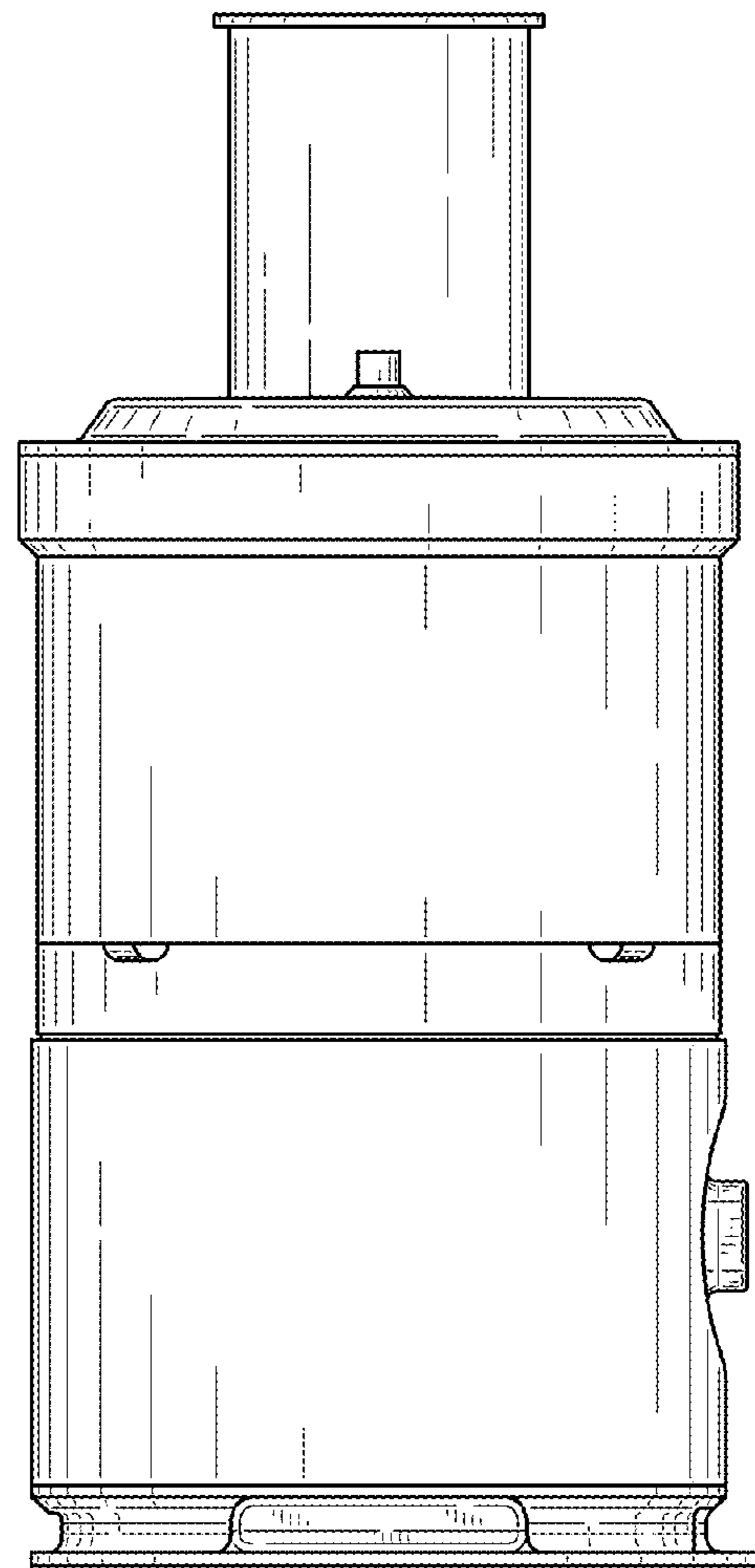


FIG. 2

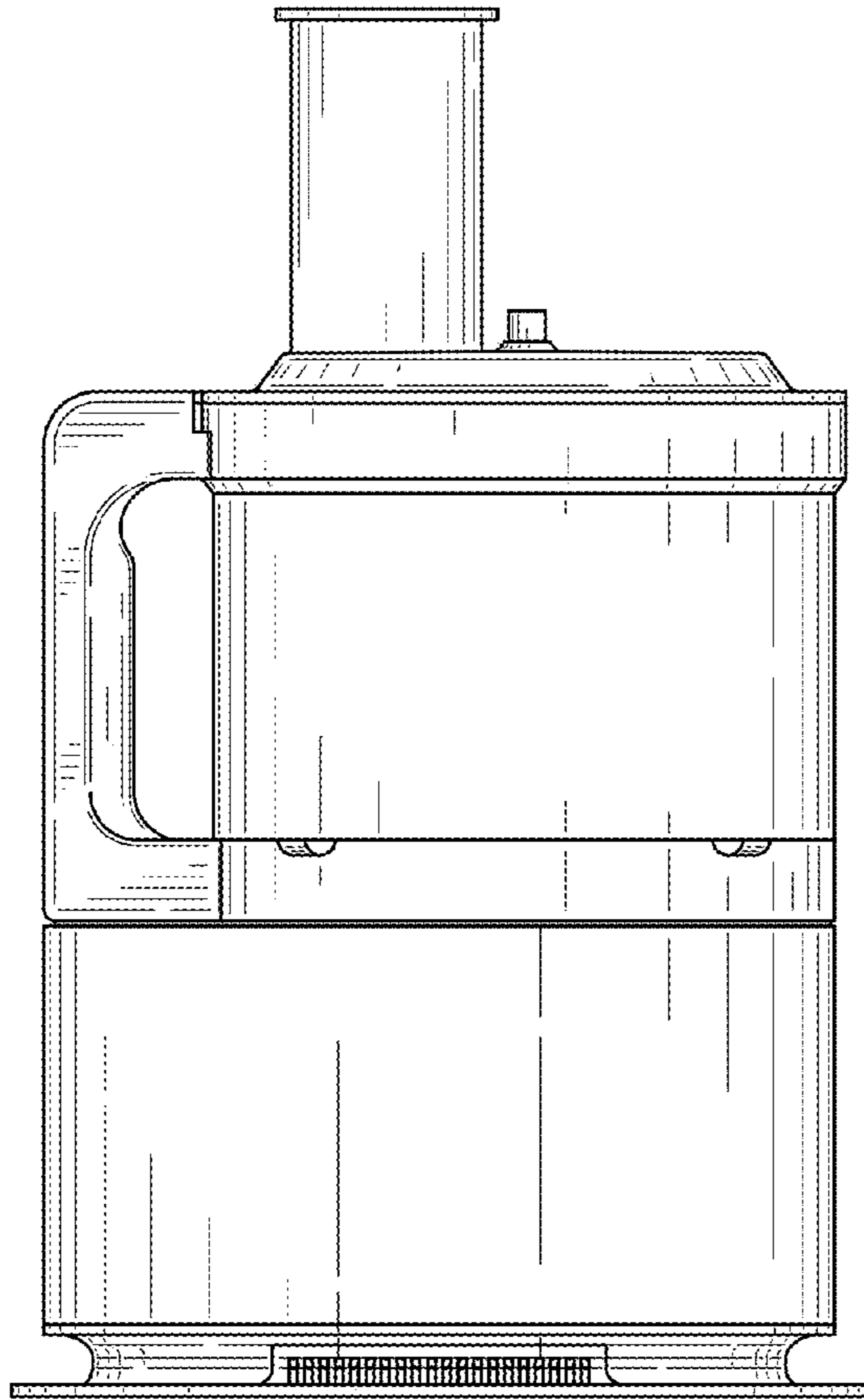


FIG. 3

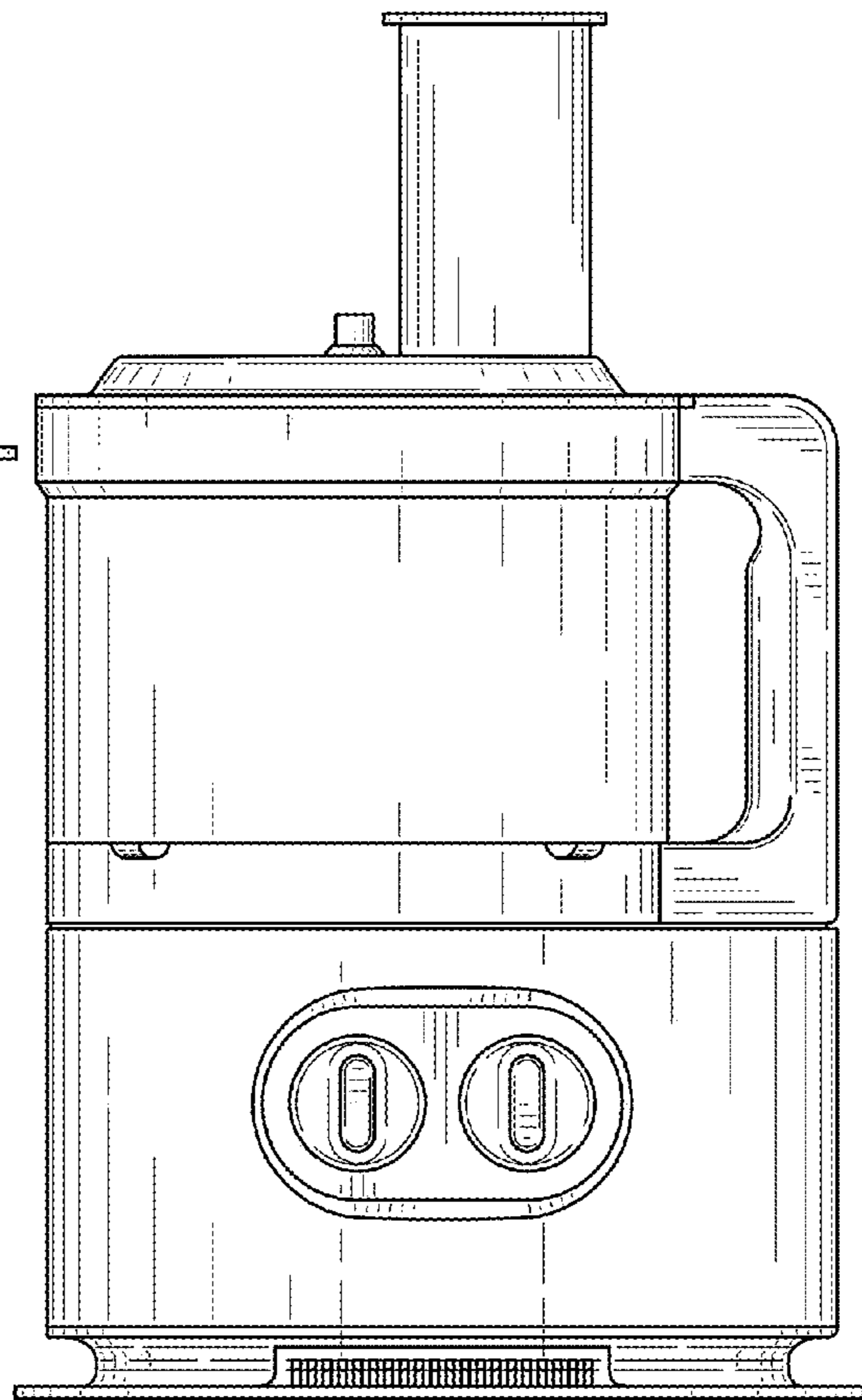


FIG. 4

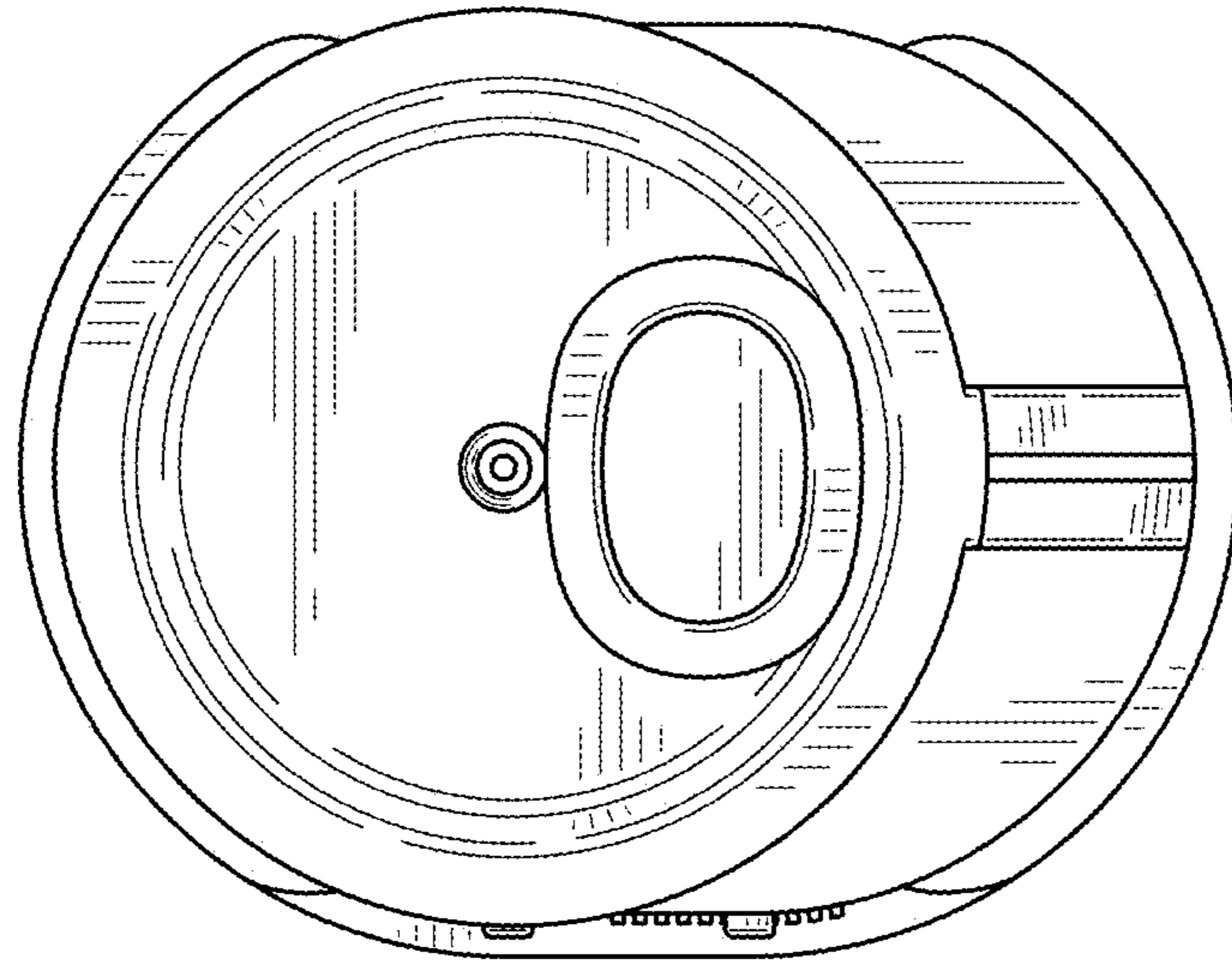


FIG. 5

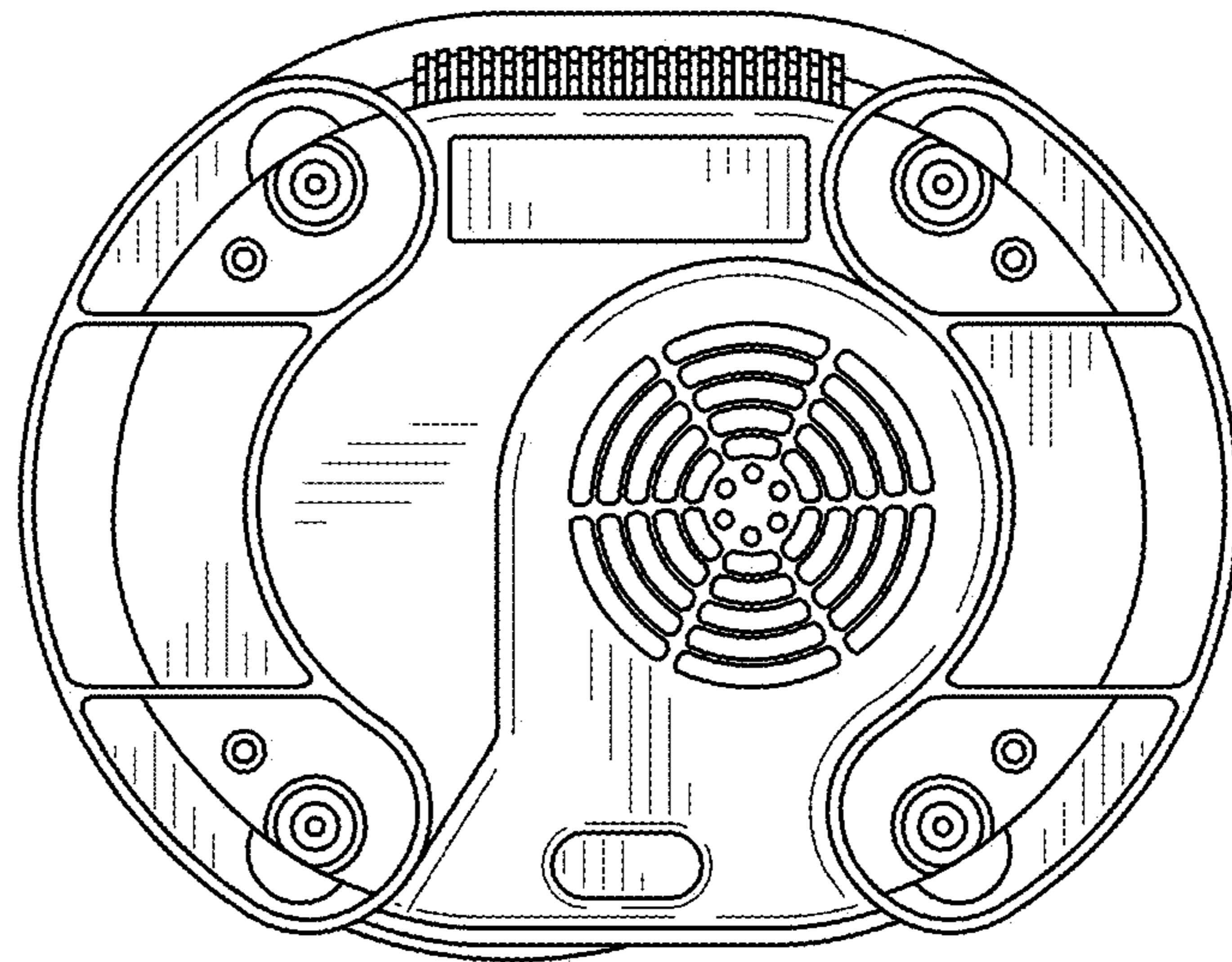


FIG. 6

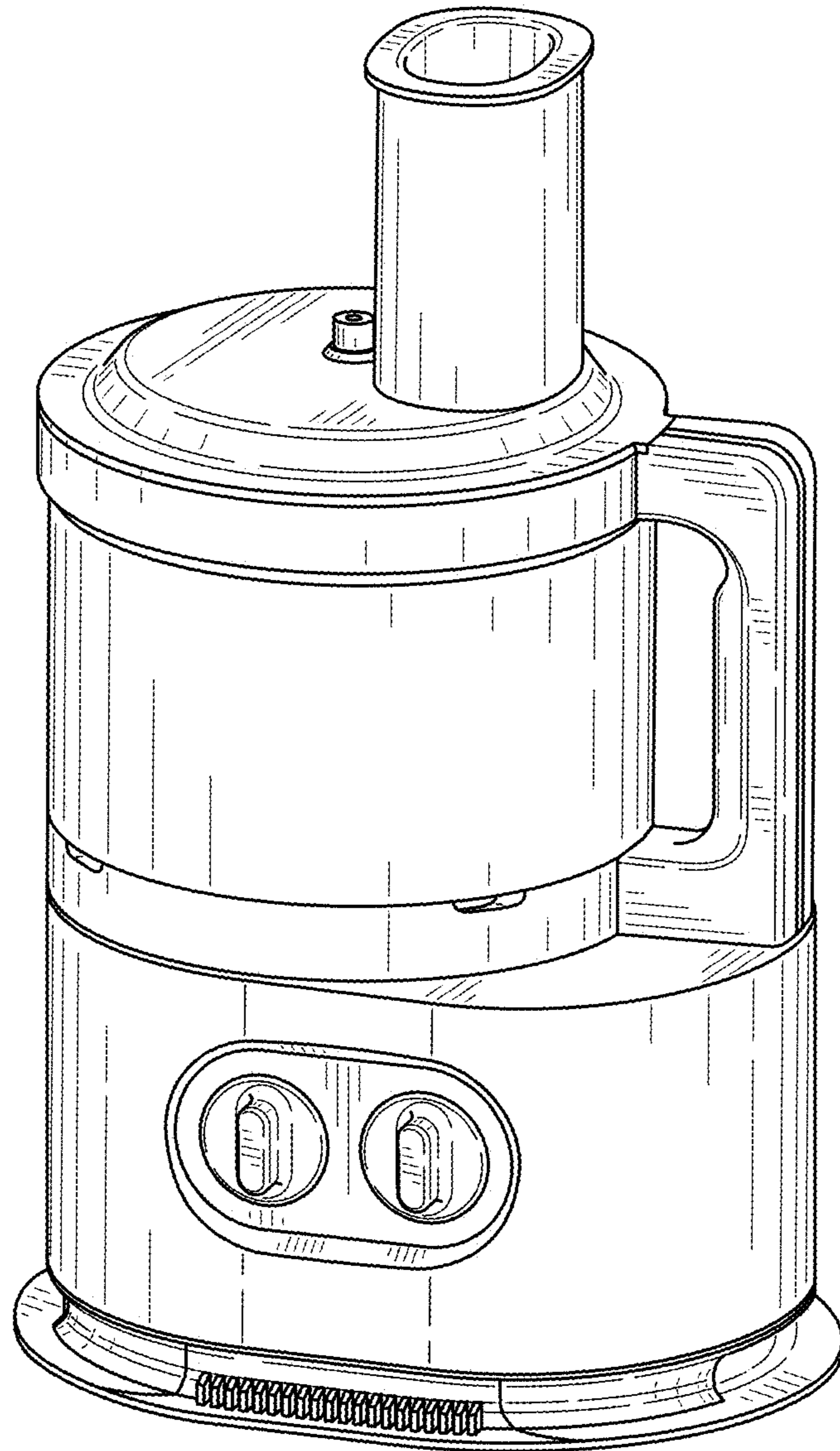


FIG. 7