



US00D719778S

(12) **United States Design Patent**
Fails

(10) **Patent No.:** **US D719,778 S**
(45) **Date of Patent:** **** Dec. 23, 2014**

- (54) **GRILL CART**
- (71) Applicant: **Mark E. Fails**, Bassfield, MS (US)
- (72) Inventor: **Mark E. Fails**, Bassfield, MS (US)
- (**) Term: **14 Years**
- (21) Appl. No.: **29/471,013**
- (22) Filed: **Oct. 28, 2013**
- (51) **LOC (10) Cl.** **07-02**
- (52) **U.S. Cl.**
USPC **D7/334**
- (58) **Field of Classification Search**
CPC A47J 37/07-37/079; A47J 2037/0777
USPC D7/332, 334-337, 402-406; 126/25 R,
126/25 A, 25 AA, 37 R, 41 R, 41 A, 40, 39 M,
126/50, 214 D, 289, 285 R, 505, 506, 276,
126/312, 29-30, 154, 337 A, 83, 275 R, 9 R,
126/39 E, 39 K, 39 J, 39 N, 41 B, 42;
D8/380-381, 373, 354; 248/354.6,
248/354.4, 354.5, 354.1, 207, 213.2,
248/220.21, 309.1, 311.2, 316.1, 243, 247;
99/393, 402; D21/541, 549, 550, 548;
D34/16
See application file for complete search history.

- 5,154,159 A 10/1992 Knafelc et al.
- 5,617,779 A 4/1997 Dutczak
- D381,240 S 7/1997 Home
- D450,524 S * 11/2001 Measom D7/332
- D468,149 S * 1/2003 Surles D7/334
- D496,820 S * 10/2004 Wilder D7/334
- D579,708 S * 11/2008 Chen D7/332
- D608,970 S * 1/2010 Cordeiro D34/16
- D624,349 S * 9/2010 Tiller et al. D7/334
- D625,544 S * 10/2010 Radicke D7/334
- D694,056 S * 11/2013 Dahle D7/334
- 2006/0288997 A1* 12/2006 Griffin 126/33

* cited by examiner

Primary Examiner — Ruth McInroy

(74) *Attorney, Agent, or Firm* — Ashley Law Firm P.C.;
Stephen S. Ashley, Jr.

(57) **CLAIM**

I claim the ornamental design for a grill cart, as shown and described.

DESCRIPTION

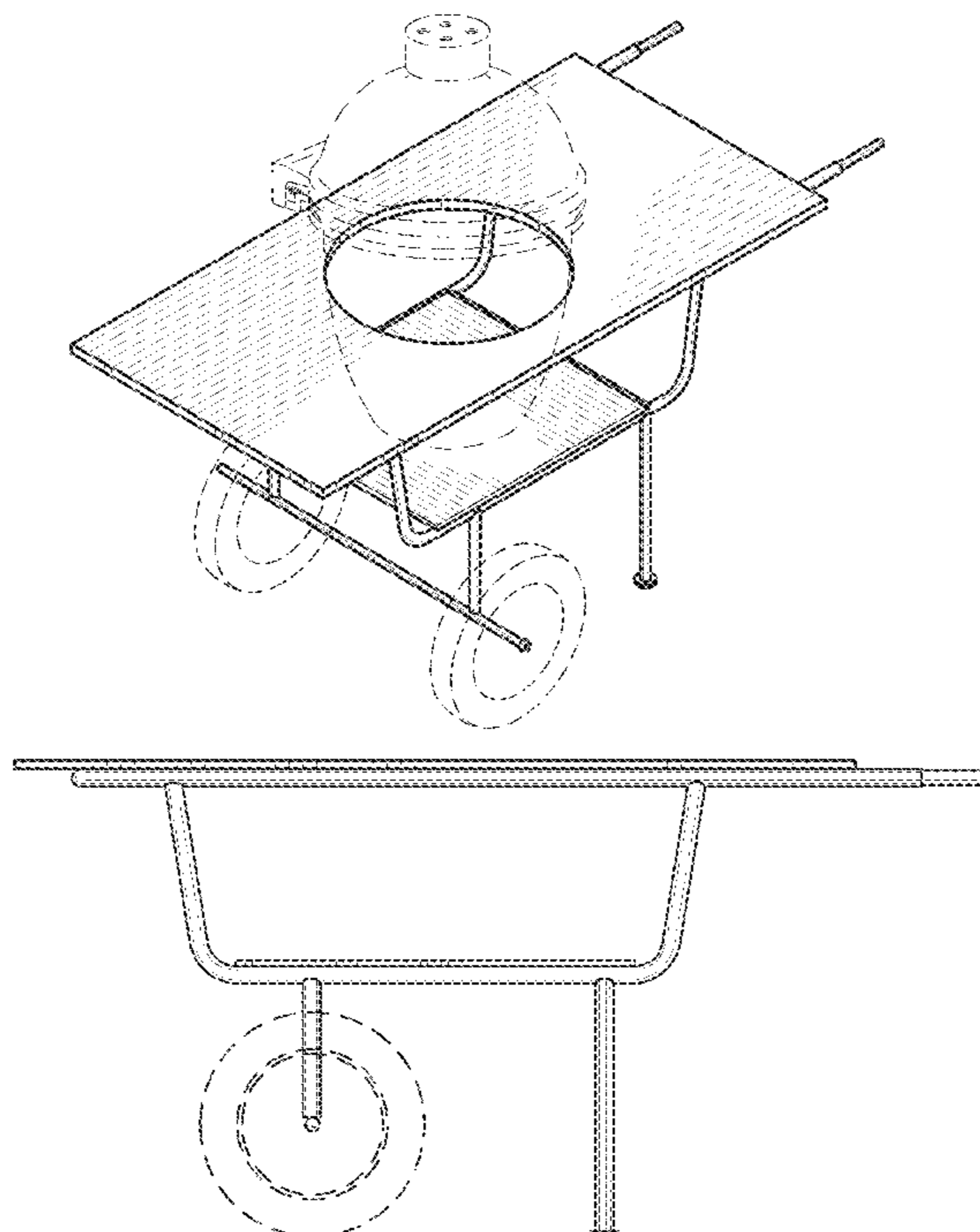
FIG. 1 is a perspective view of a grill cart showing my new design;
 FIG. 2 is another perspective view thereof;
 FIG. 3 is a top plan view thereof;
 FIG. 4 is a left side view thereof;
 FIG. 5 is a right side view thereof;
 FIG. 6 is a front elevation view thereof;
 FIG. 7 is a rear elevation view thereof; and,
 FIG. 8 is a bottom plan view thereof.
 Portions of the drawings shown in broken lines are for illustrative purposes only, and form no part of the claimed design.

1 Claim, 8 Drawing Sheets

(56) **References Cited**

U.S. PATENT DOCUMENTS

- 155,390 A 9/1874 Schmidt
- D142,866 S * 11/1945 Johannsen D7/334
- D214,220 S 5/1969 ver Halen et al.
- 4,635,613 A * 1/1987 Tucker et al. 126/25 R
- 5,076,252 A 12/1991 Schlosser et al.



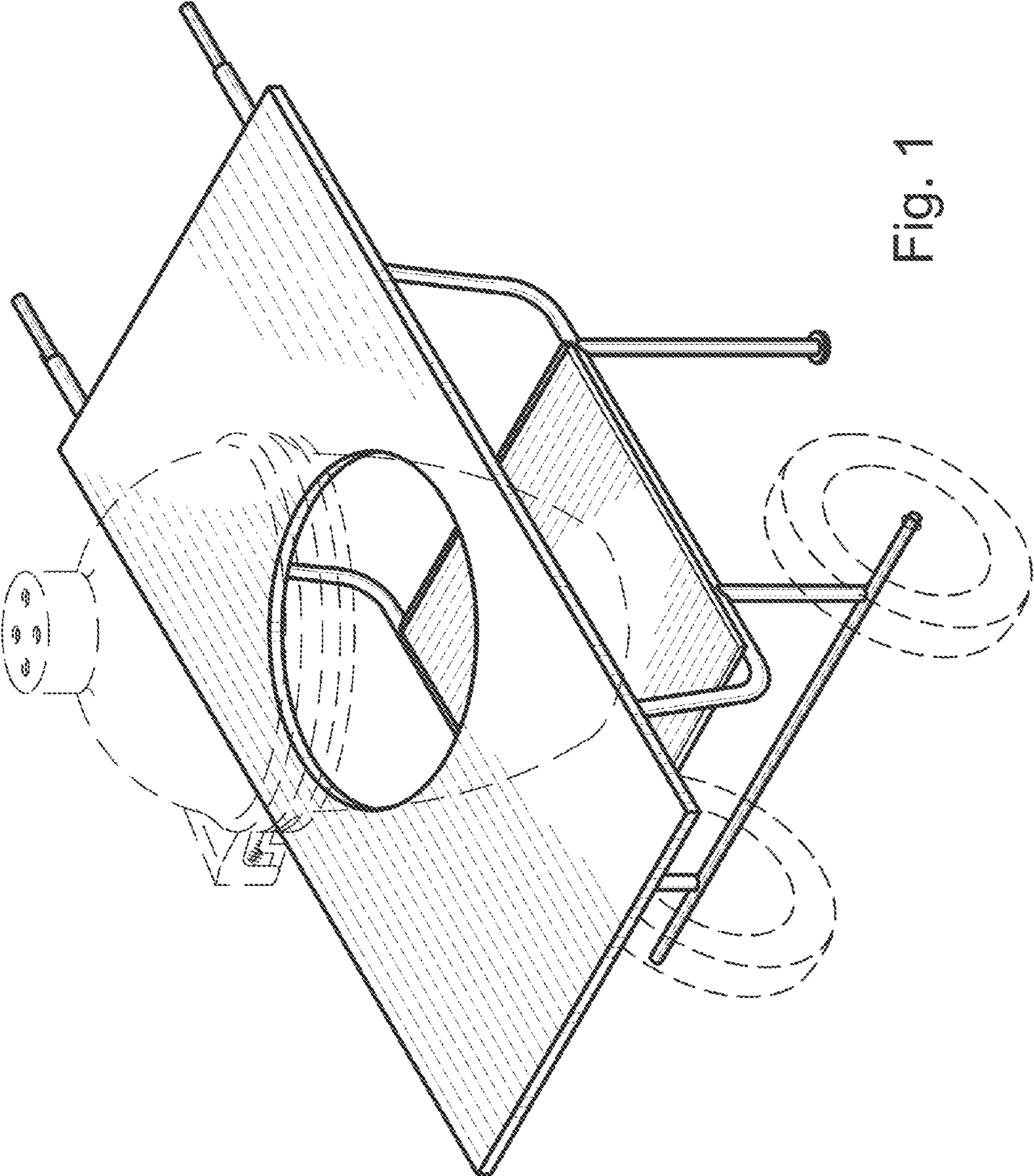


Fig. 1

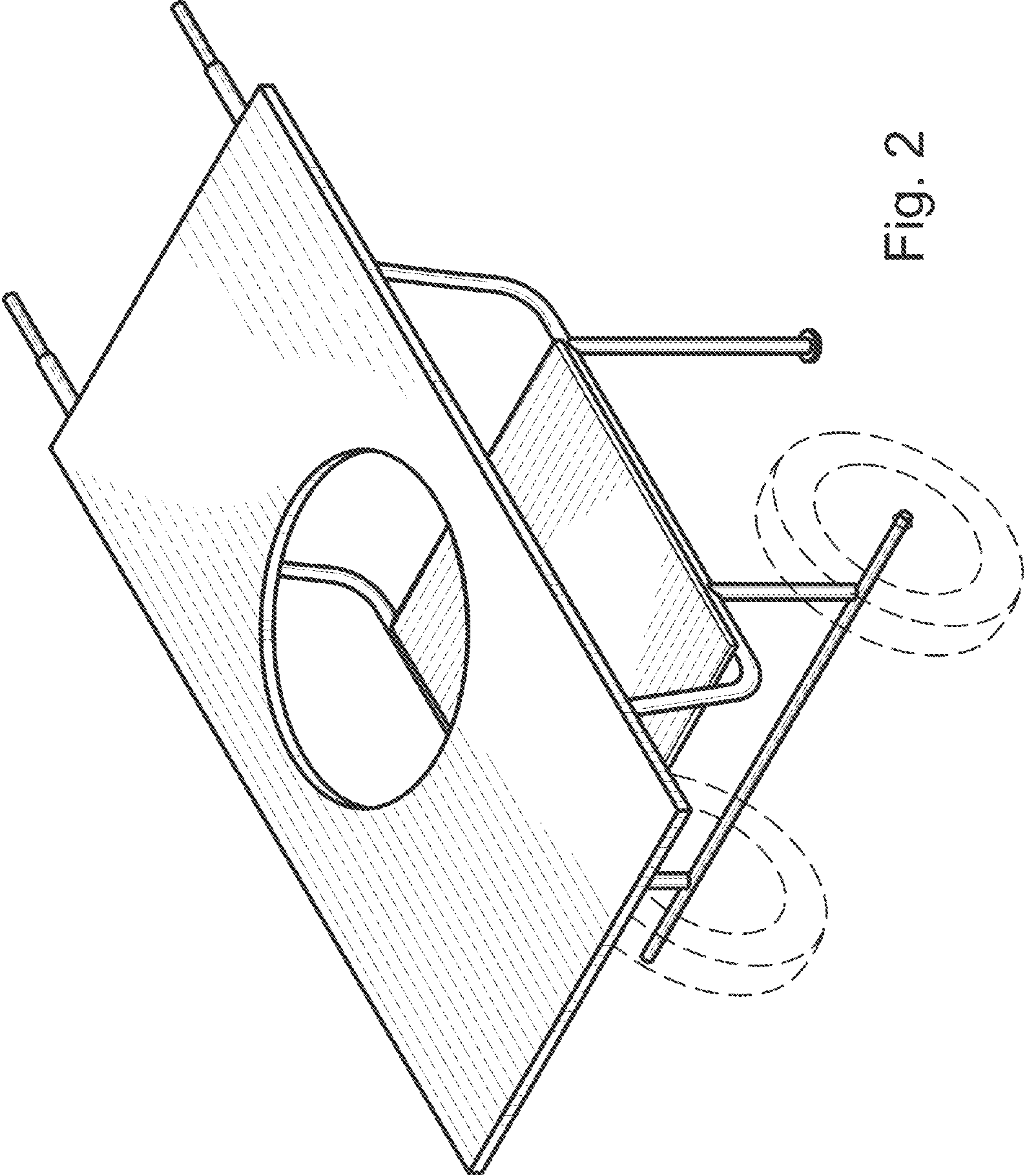


Fig. 2

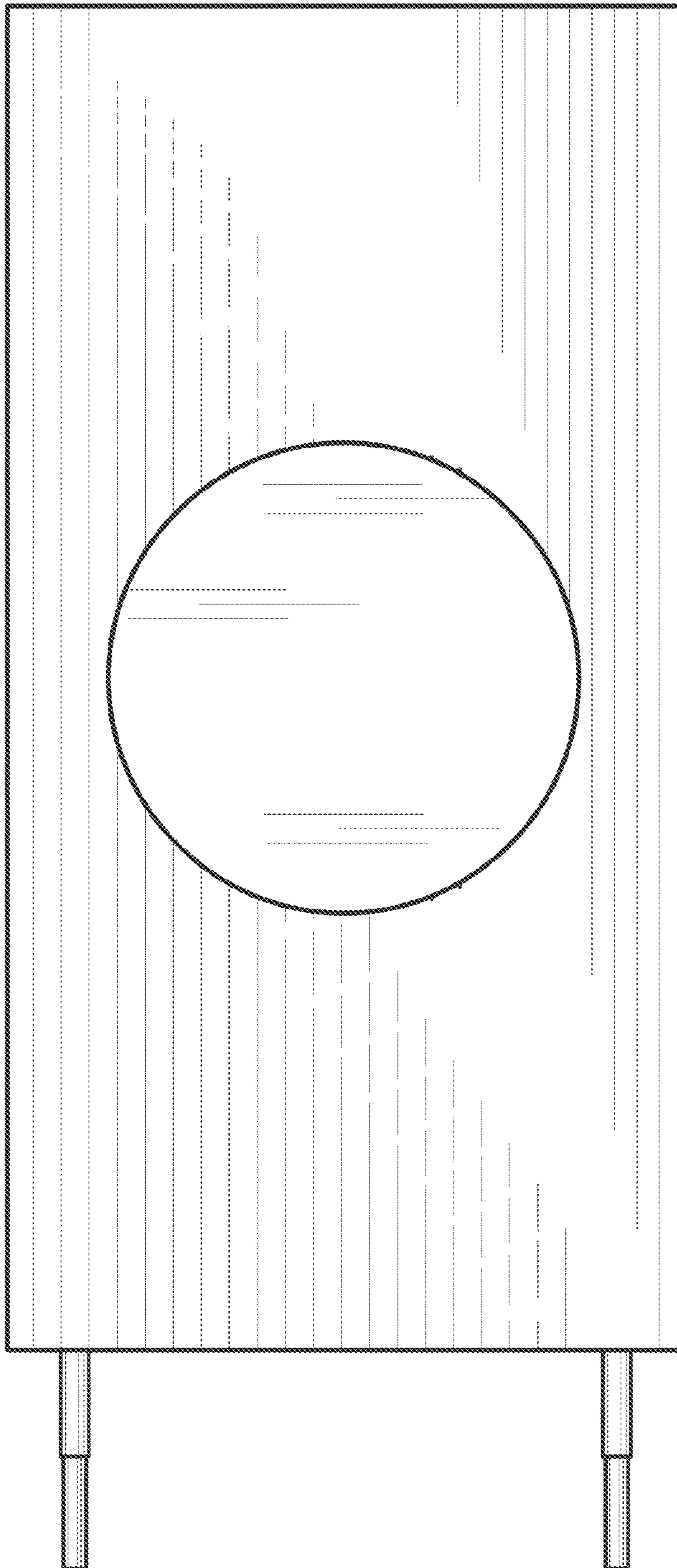


Fig. 3

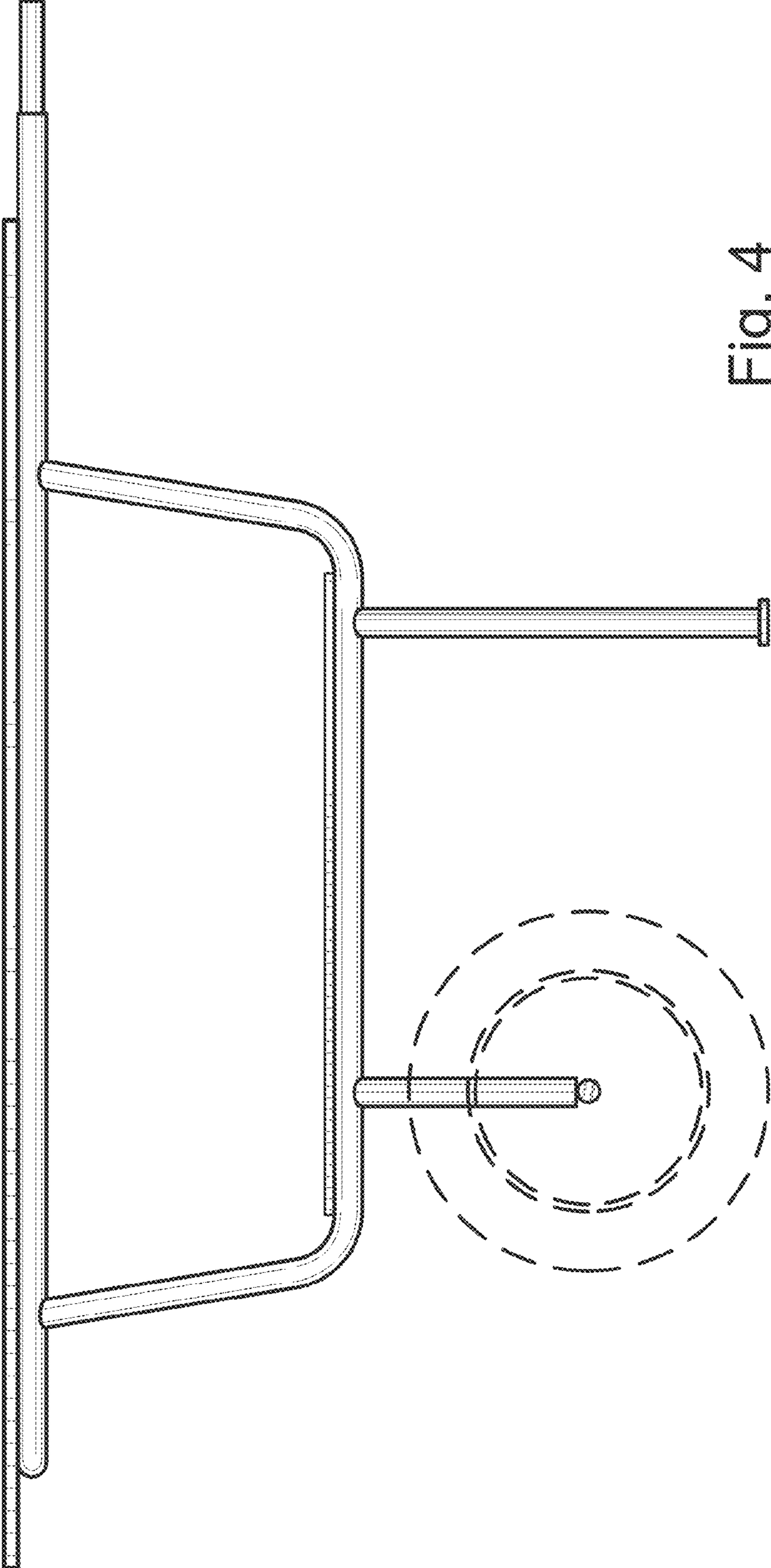


Fig. 4

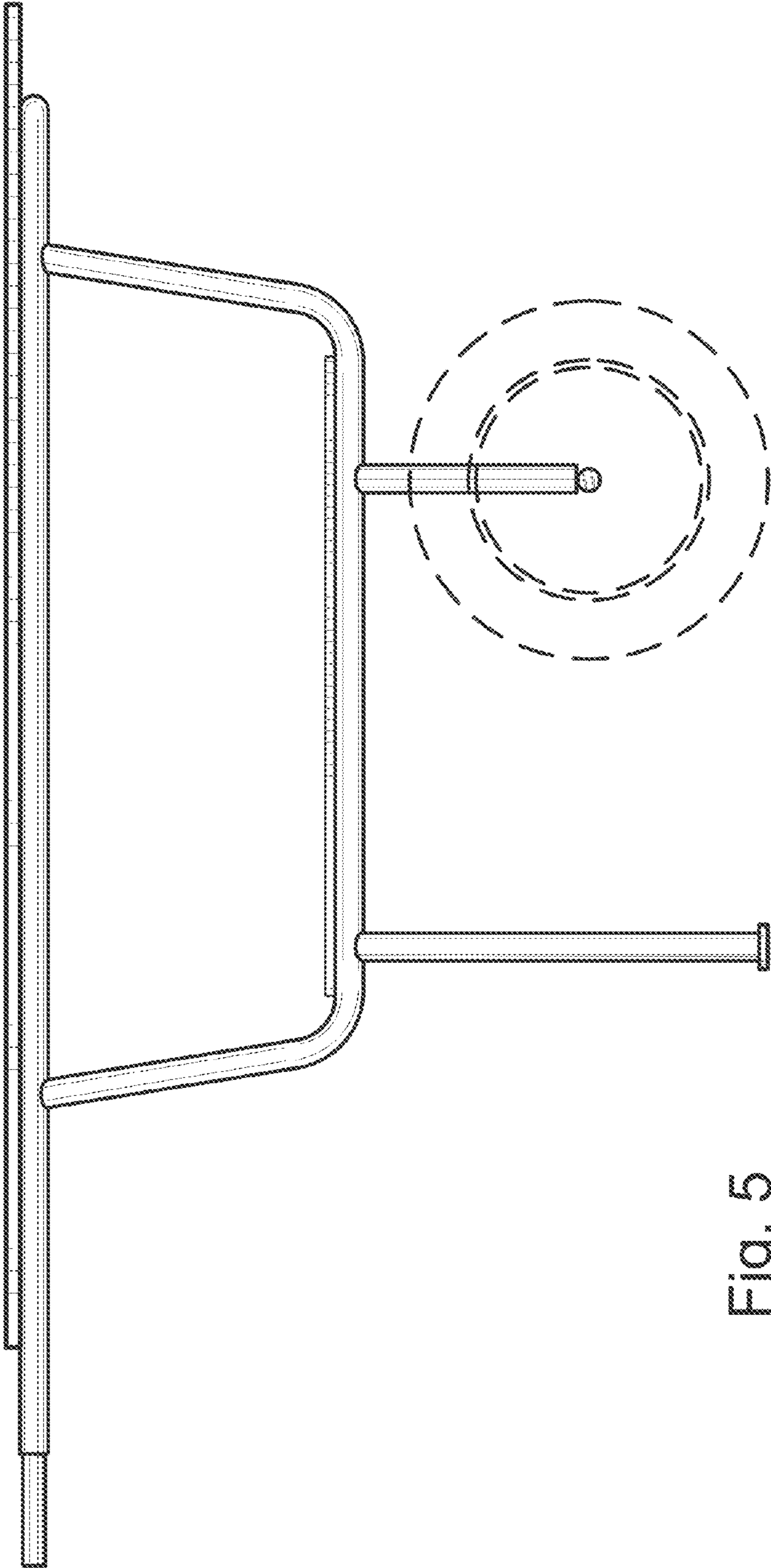


Fig. 5

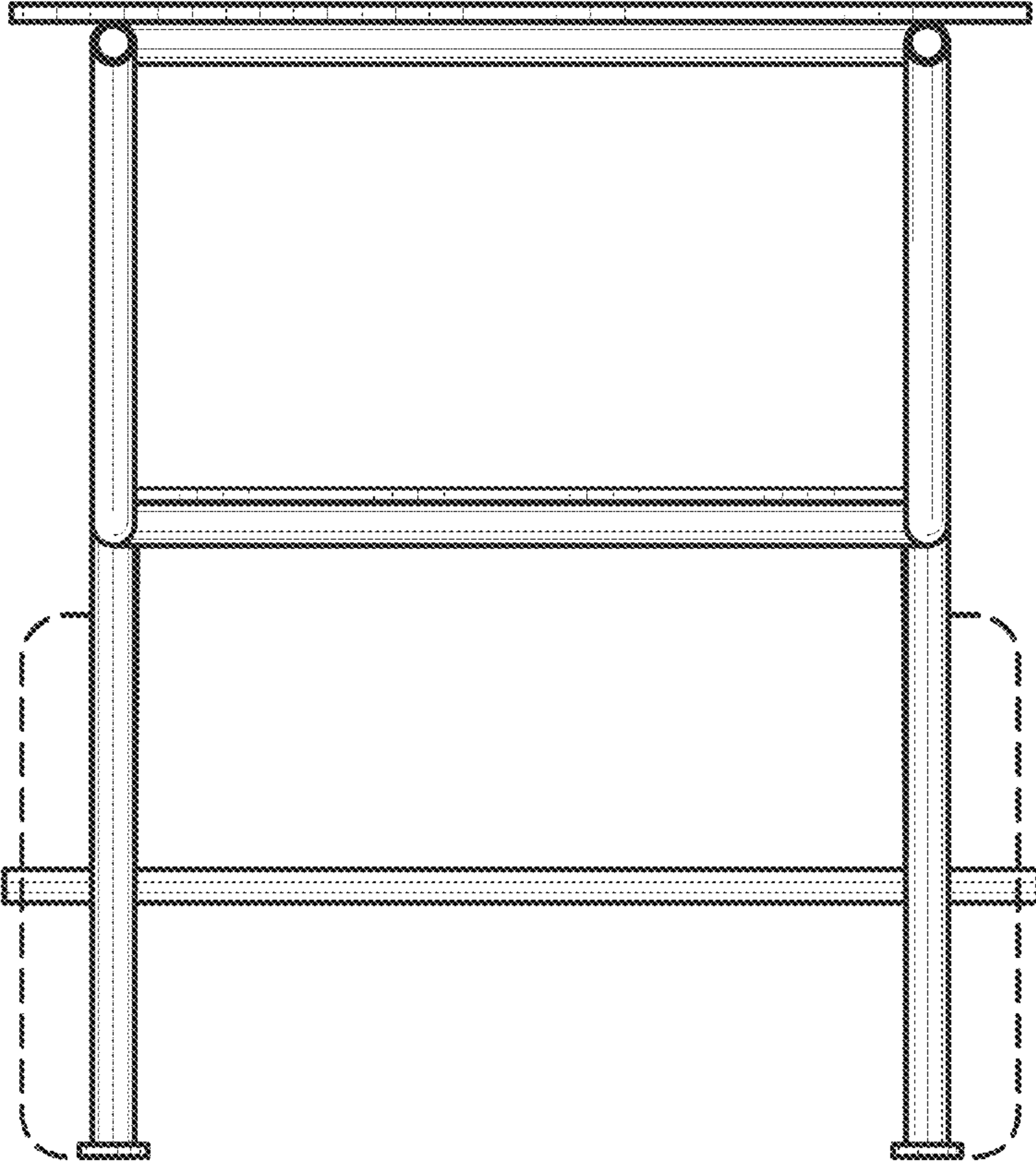


Fig. 6

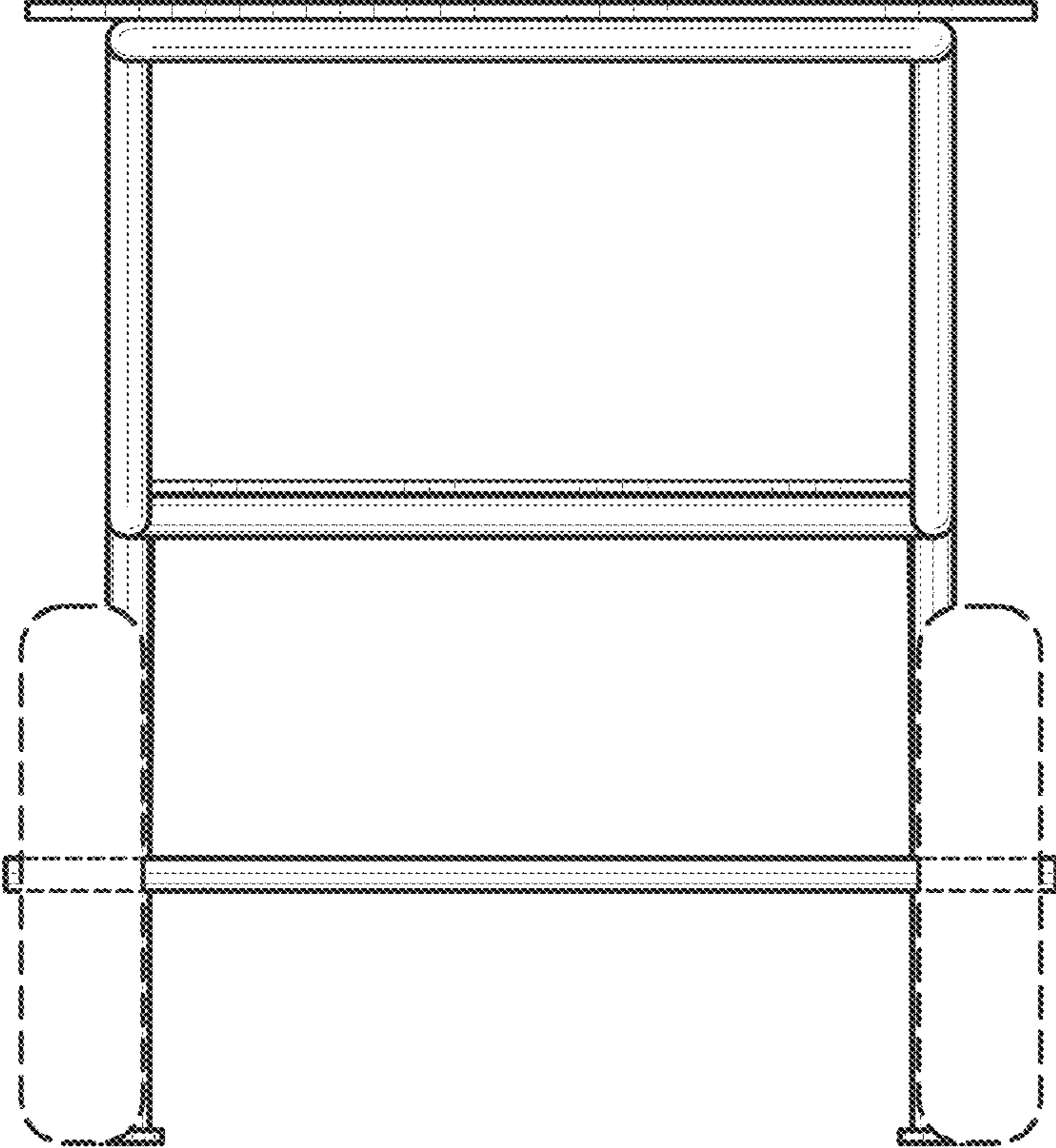


Fig. 7

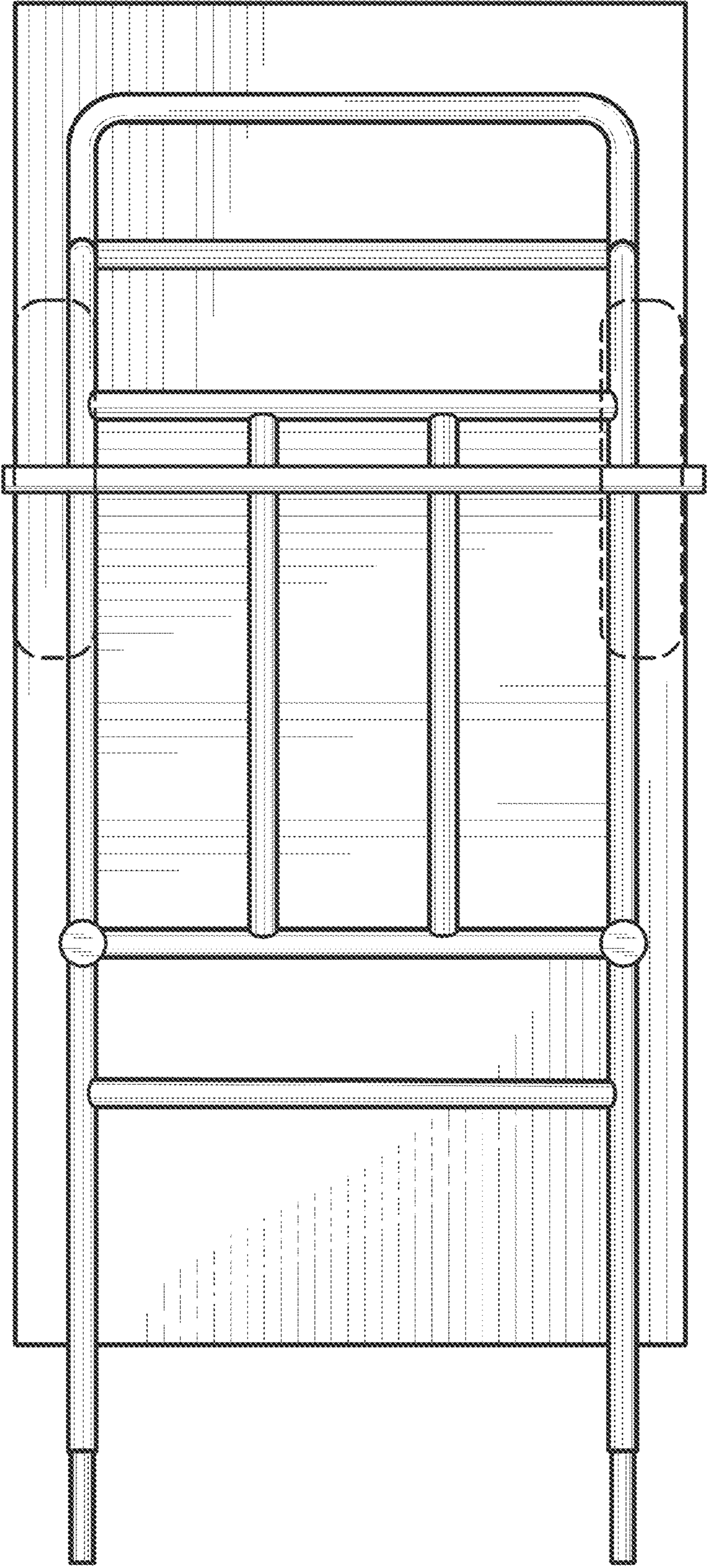


Fig. 8