



US00D719777S

(12) **United States Design Patent**
Metaxatos et al.

(10) **Patent No.:** **US D719,777 S**

(45) **Date of Patent:** **** Dec. 23, 2014**

(54) **BEVERAGE CARAFE**

(71) Applicant: **Keurig, Incorporated**, Reading, MA (US)

(72) Inventors: **Paul K. Metaxatos**, Swampscott, MA (US); **Steffen F. Koury**, Everett, MA (US); **James T. McGee**, Winthrop, MA (US); **Da Deng**, Somerville, MA (US)

(73) Assignee: **Keurig Green Mountain, Inc.**, Waterbury, VT (US)

(**) Term: **14 Years**

(21) Appl. No.: **29/460,399**

(22) Filed: **Jul. 10, 2013**

(51) **LOC (10) Cl.** **07-01**

(52) **U.S. Cl.**
USPC **D7/319**

(58) **Field of Classification Search**
CPC A47G 19/14
USPC D7/312, 300, 316-319, 310, 309;
222/465.1, 189.06, 571; 215/398, 235,
215/12.1; 220/713
See application file for complete search history.

(56) **References Cited**

U.S. PATENT DOCUMENTS

D241,400 S * 9/1976 Painter D7/318
D241,401 S * 9/1976 Painter D7/318

D259,613 S * 6/1981 Sun D7/318
D268,319 S * 3/1983 Donoski et al. D7/318
D403,199 S * 12/1998 Micoley D7/309
D411,404 S * 6/1999 Littmann D7/319
D422,831 S * 4/2000 Lucas et al. D7/319
D438,420 S * 3/2001 Rolfes et al. D7/319
D442,014 S * 5/2001 Haring et al. D7/319
D480,254 S * 10/2003 Hirose D7/318
D668,095 S * 10/2012 Green et al. D7/319

* cited by examiner

Primary Examiner — Marianne Pandozzi

(74) *Attorney, Agent, or Firm* — Wolf, Greenfield & Sacks, P.C.

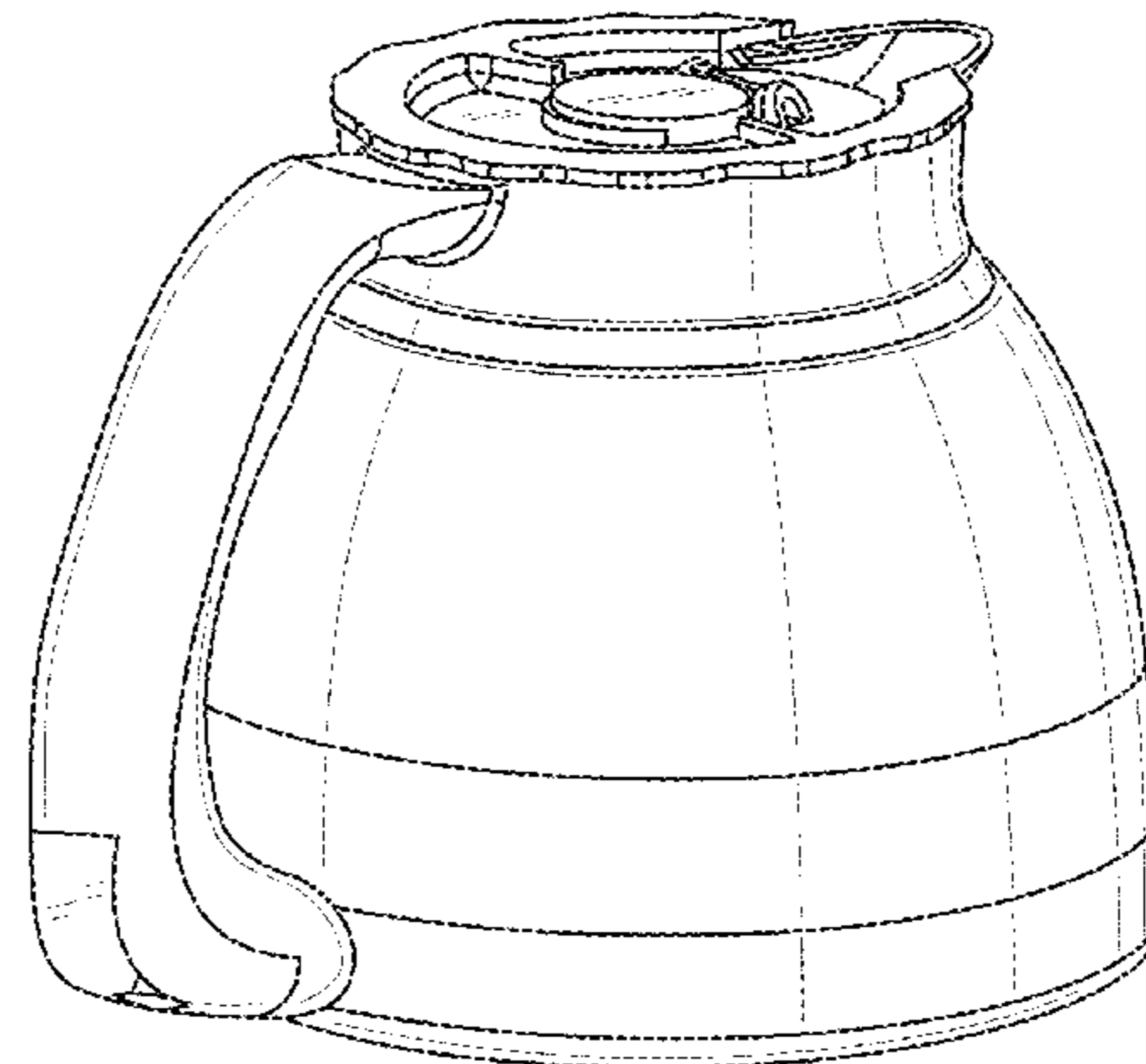
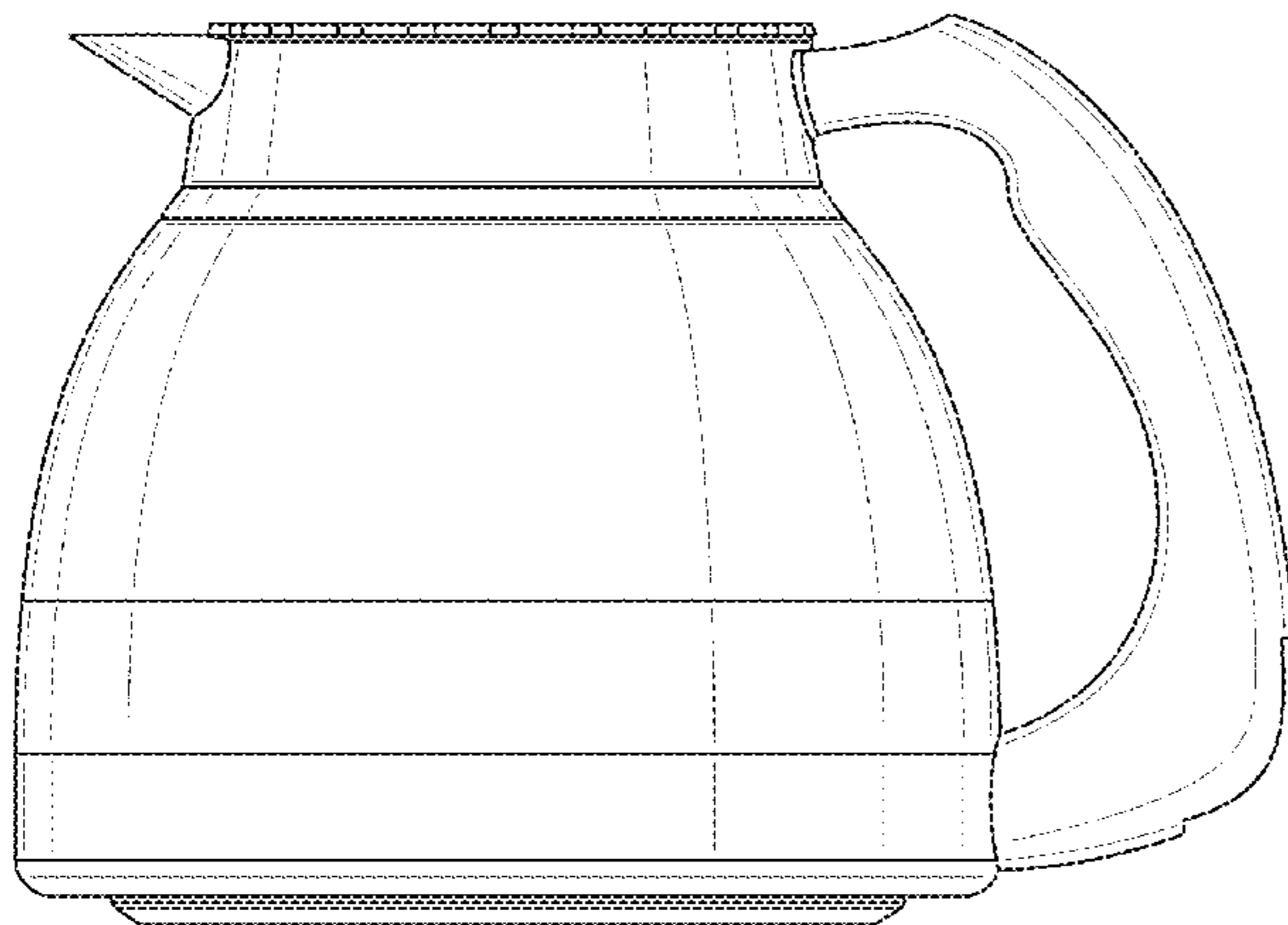
(57) **CLAIM**

The ornamental design for a beverage carafe, as shown and described.

DESCRIPTION

FIG. 1 is a front view of the a beverage carafe;
FIG. 2 is a rear view thereof;
FIG. 3 is a right side view thereof;
FIG. 4 is a left side view thereof;
FIG. 5 is a top view thereof;
FIG. 6 is a bottom view thereof;
FIG. 7 is a front, right perspective view thereof;
FIG. 8 is a rear, right perspective view thereof;
FIG. 9 is a front, left perspective view thereof; and,
FIG. 10 is a rear, left perspective view thereof.

1 Claim, 10 Drawing Sheets



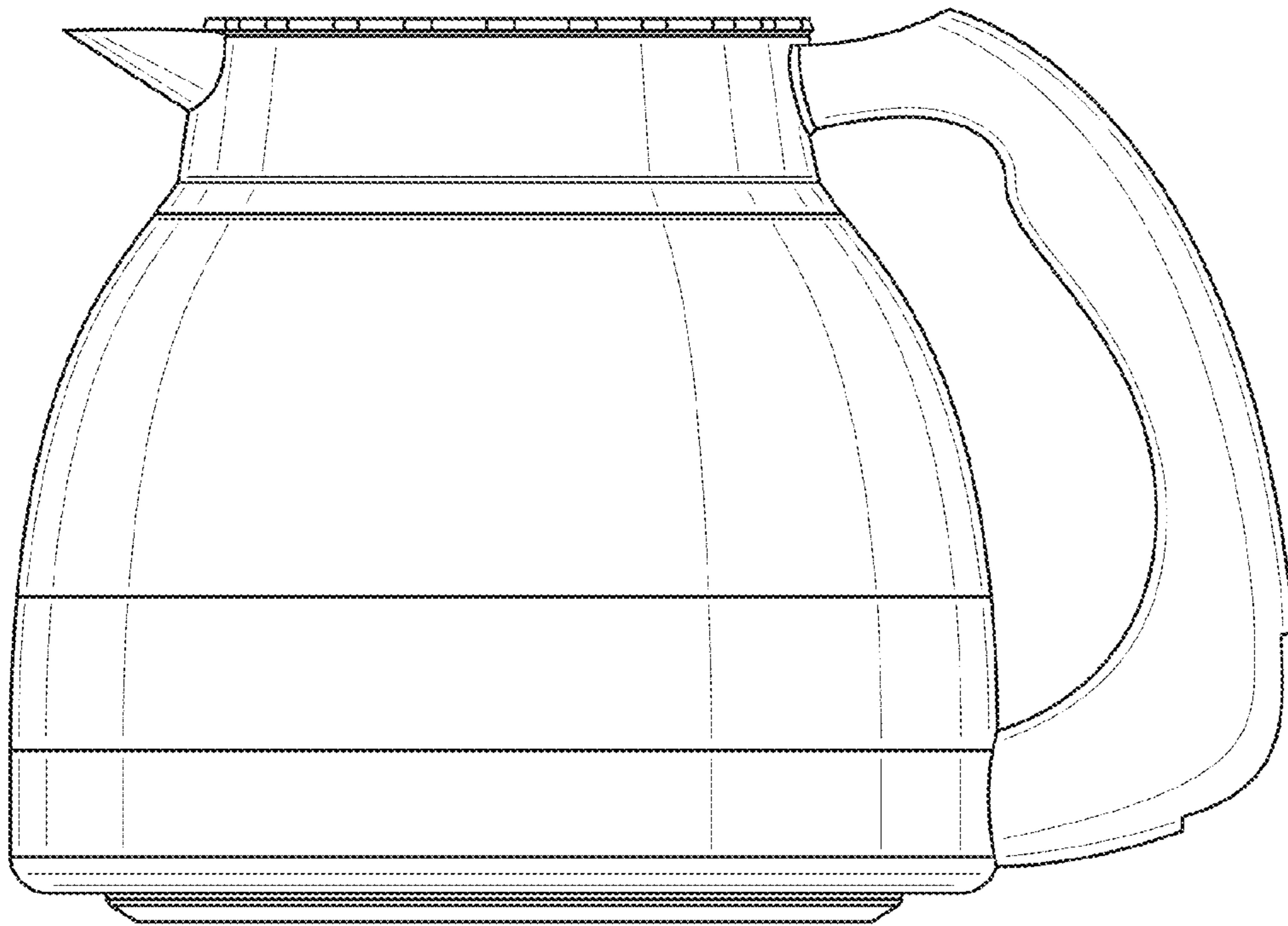


FIG. 1

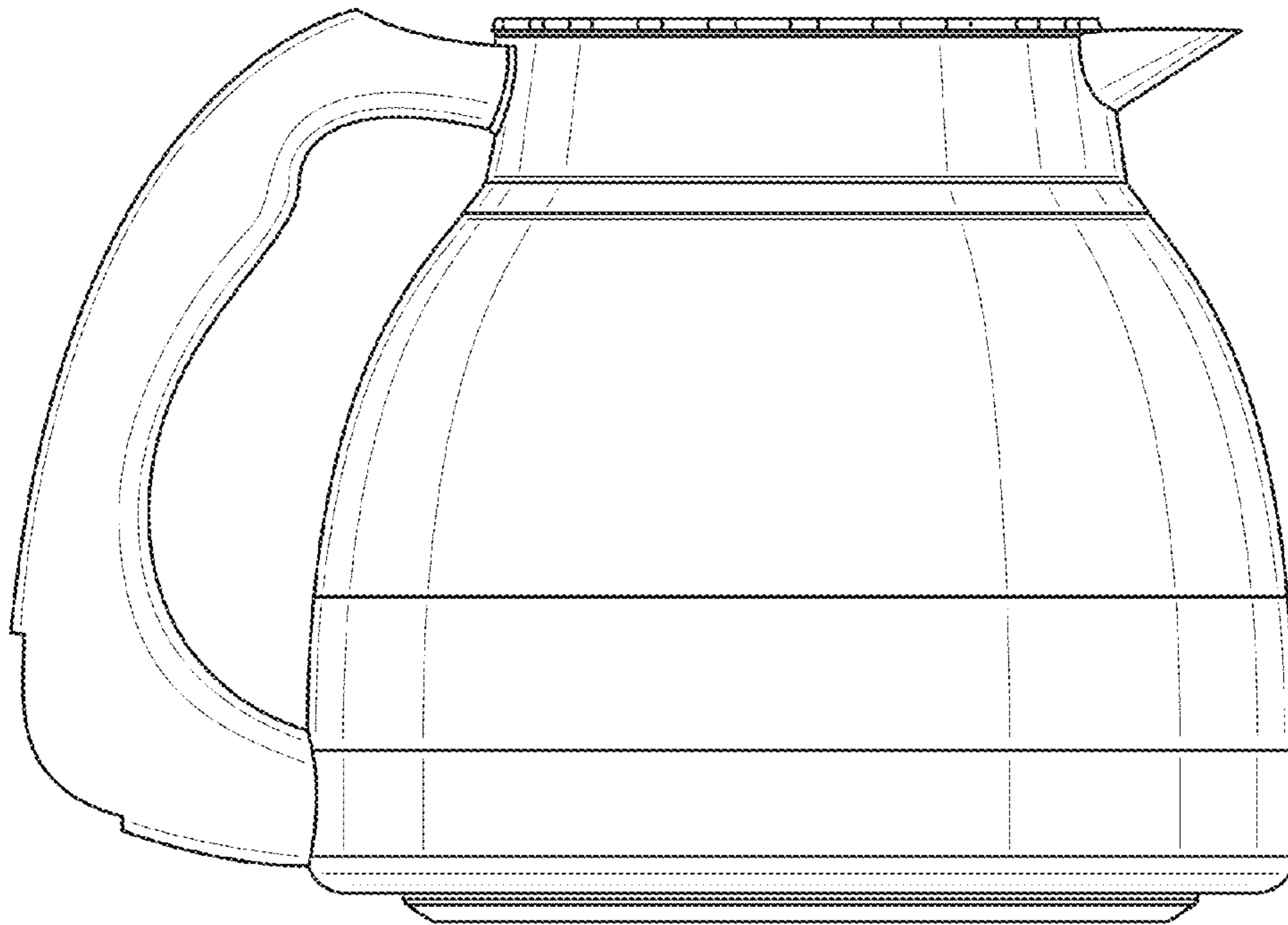


FIG. 2

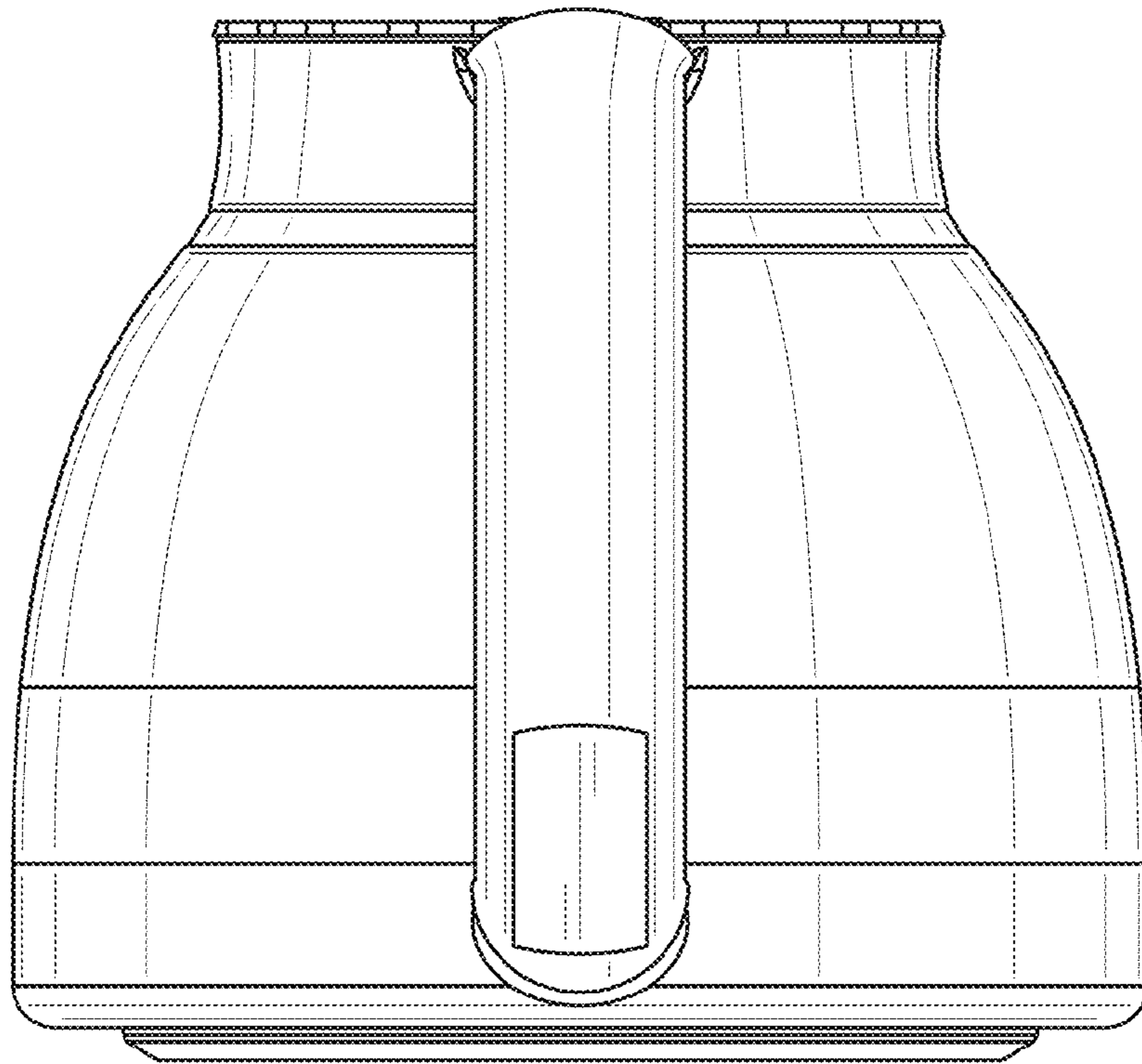


FIG. 3

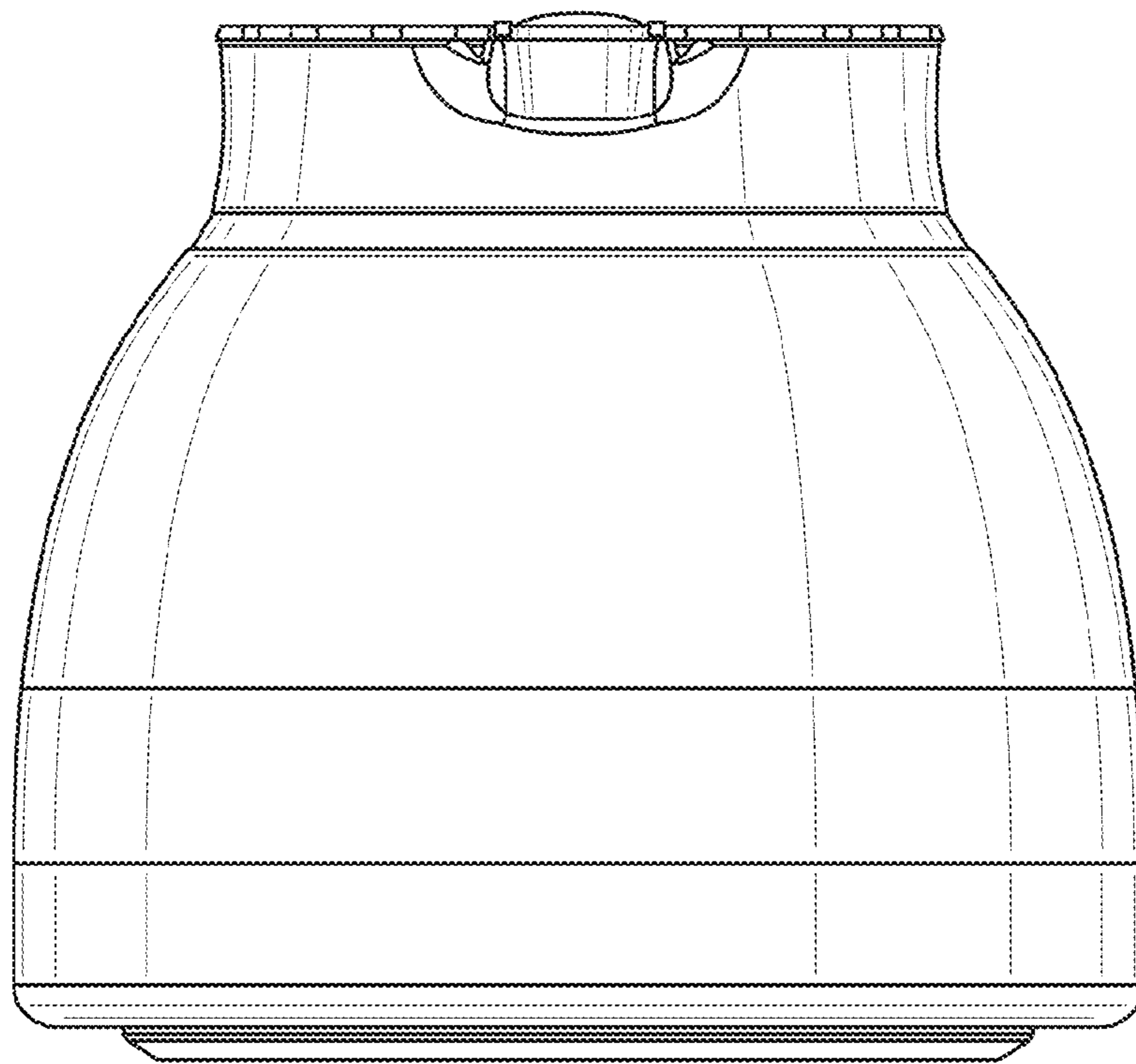


FIG. 4

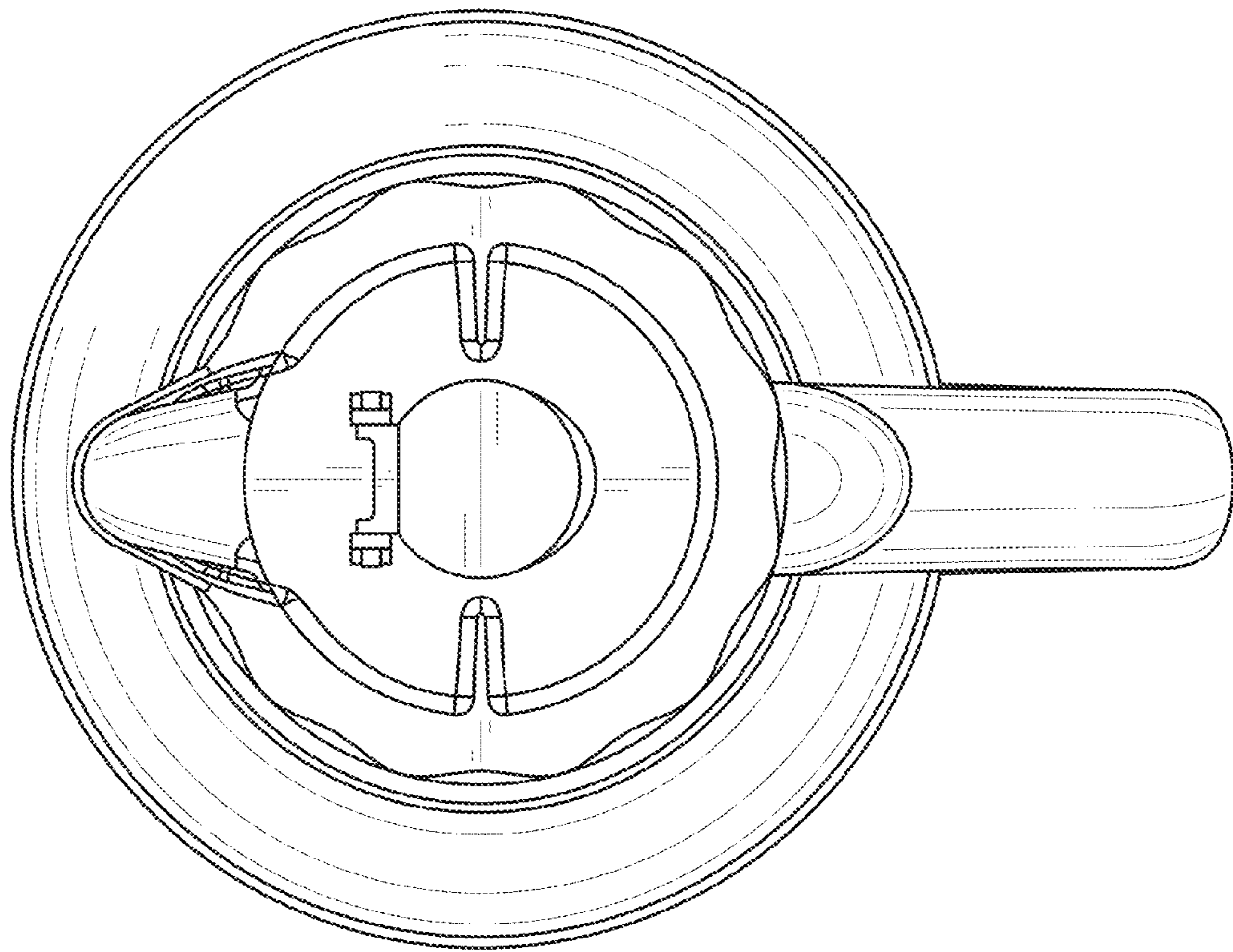


FIG. 5

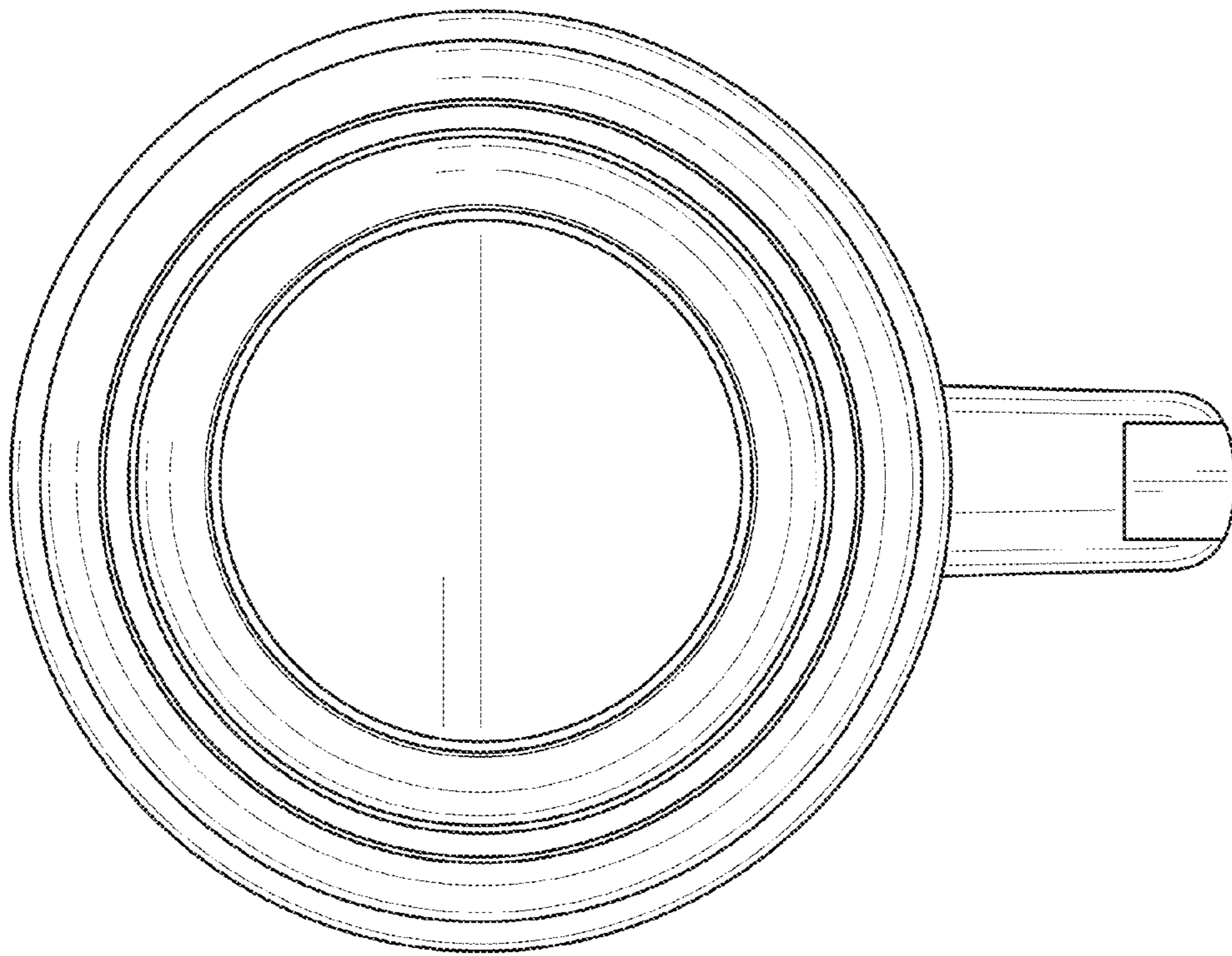


FIG. 6

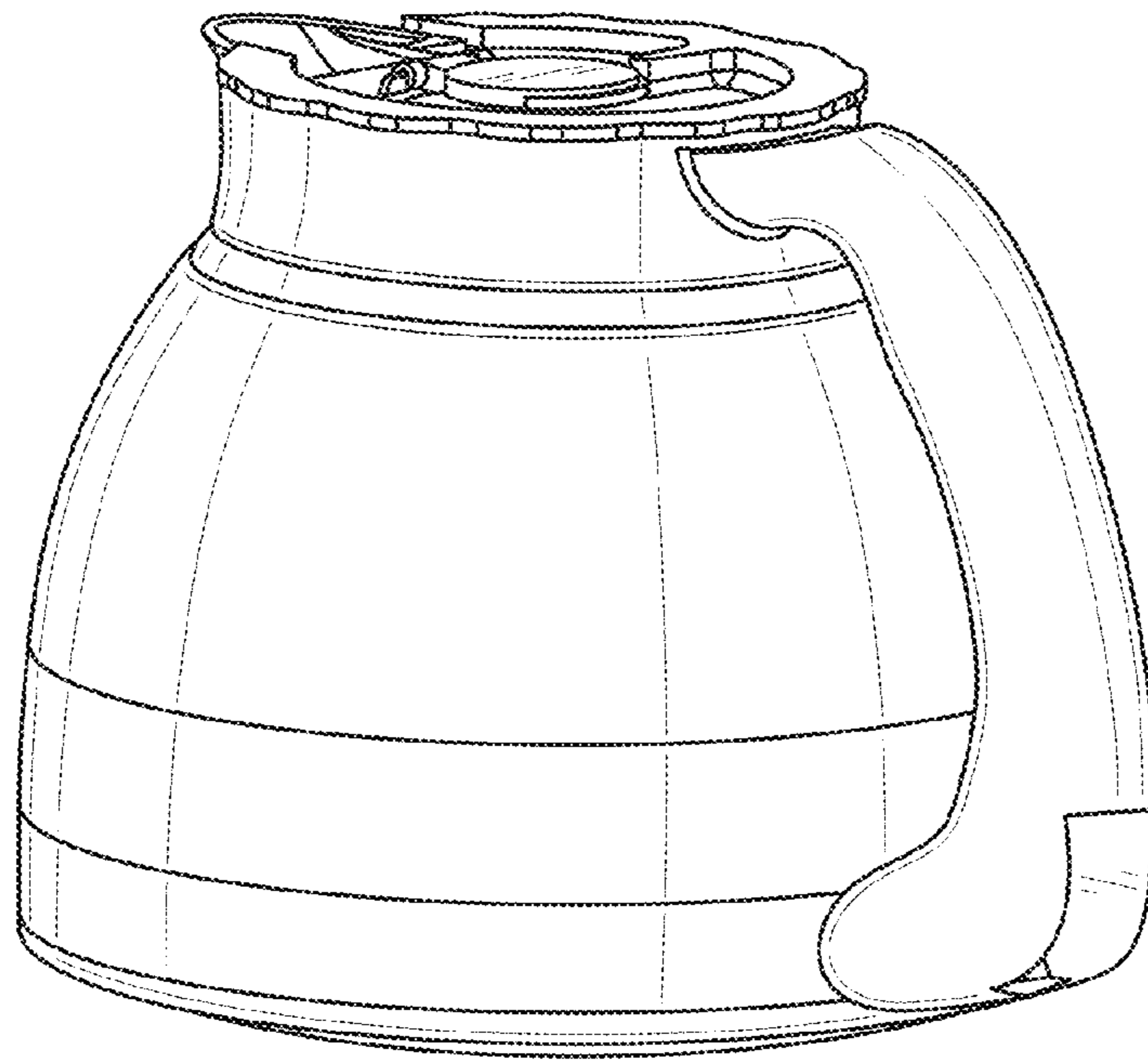


FIG. 7

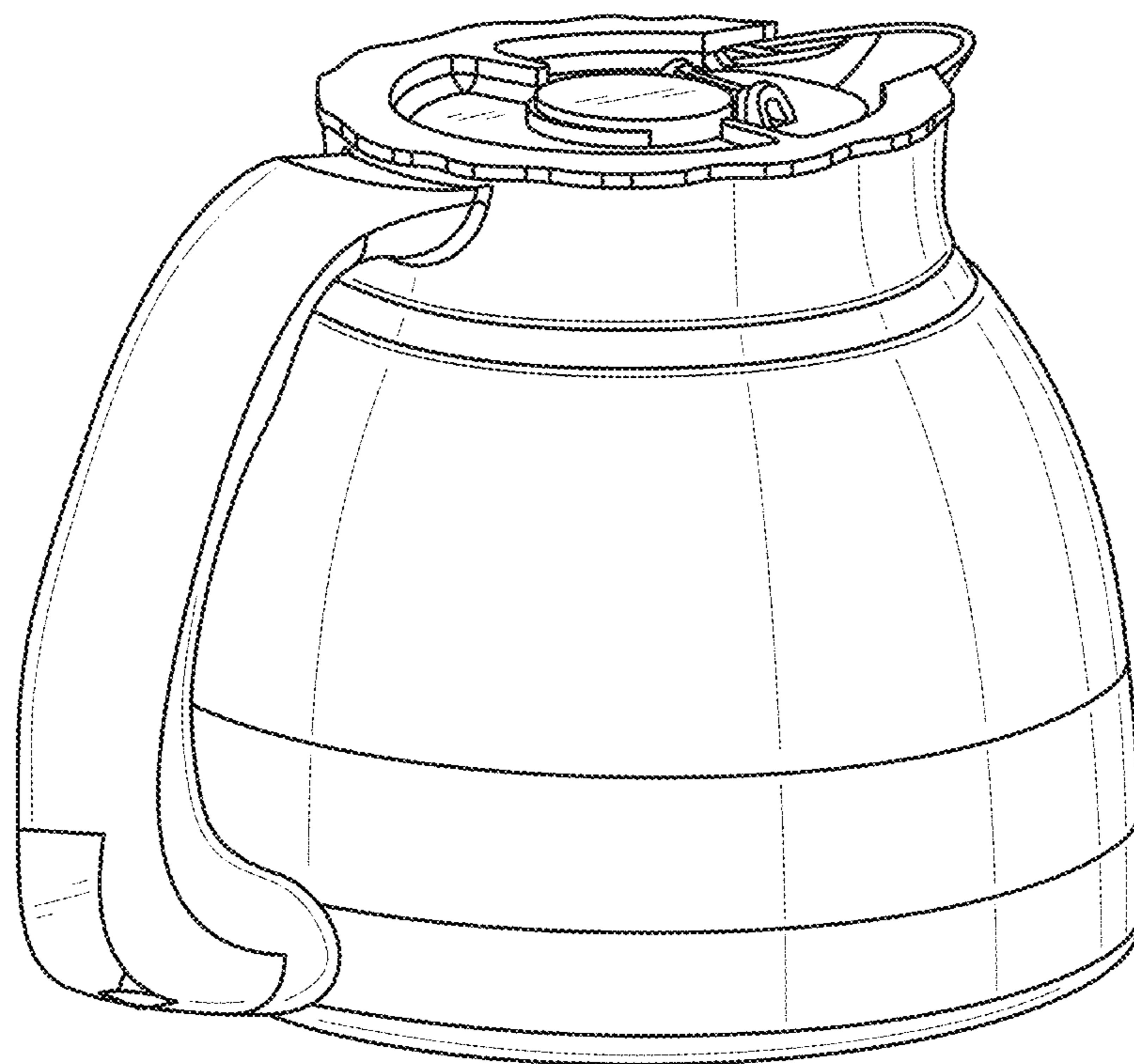


FIG. 8

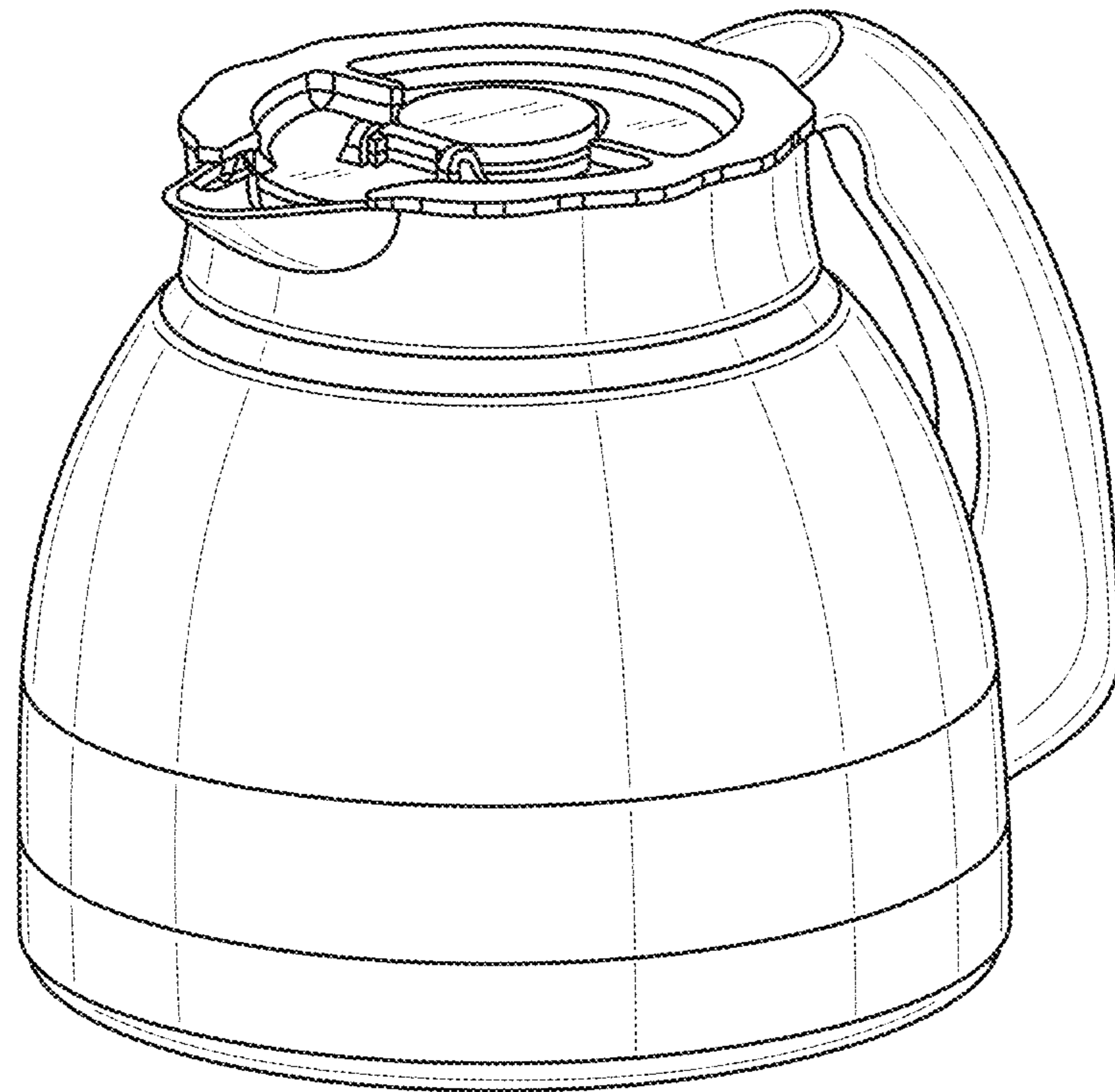


FIG. 9

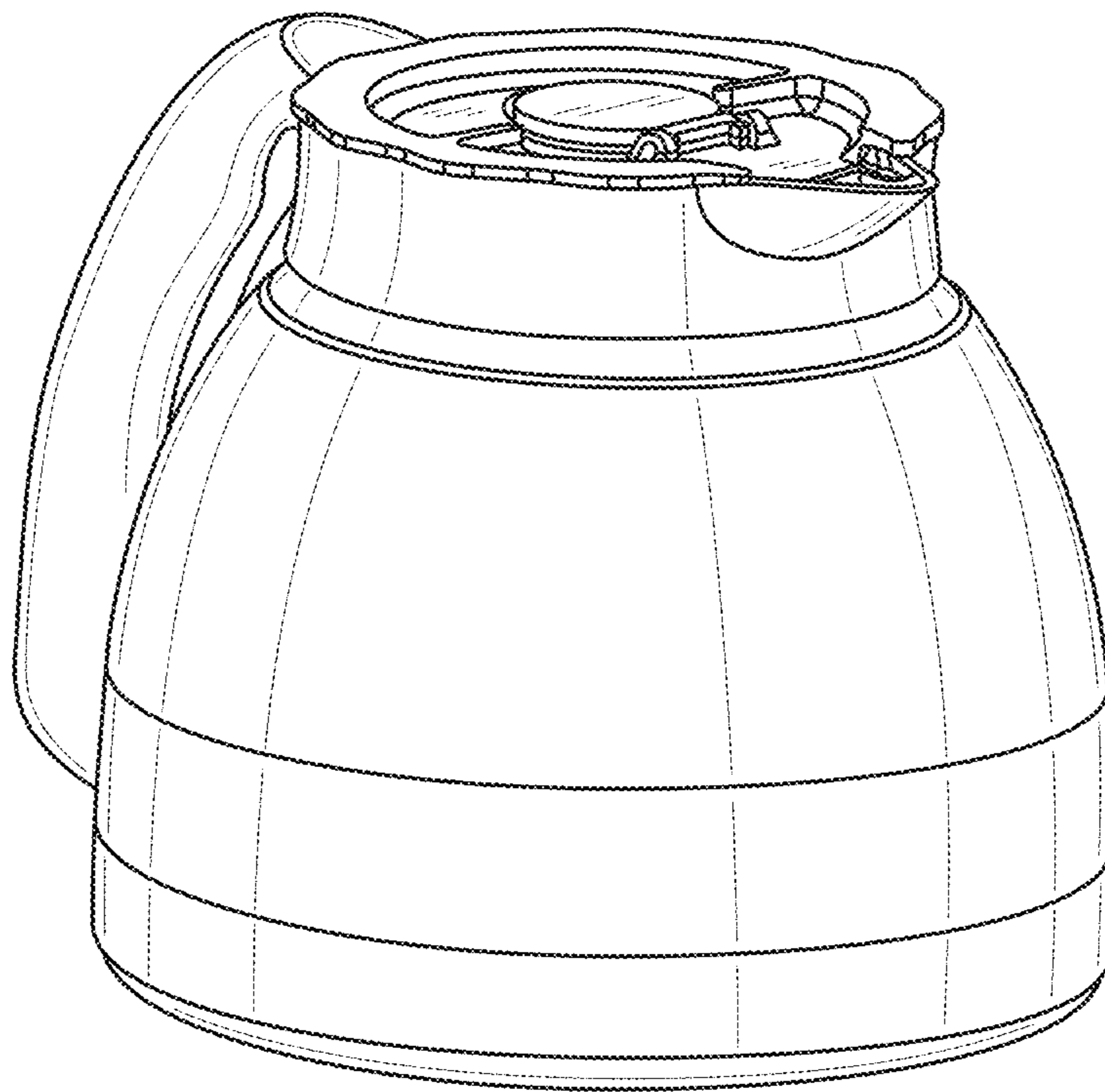


FIG. 10