



US00D719775S

(12) **United States Design Patent**
Price et al.

(10) **Patent No.:** **US D719,775 S**

(45) **Date of Patent:** **** Dec. 23, 2014**

(54) **BEVERAGE DISPENSING CONTAINER**

(56) **References Cited**

(71) Applicants: **Travis Elliot Price**, Menlo Park, CA
(US); **Kyle Mulroe**, Menlo Park, CA
(US); **Jack Mulroe**, Menlo Park, CA
(US)

(72) Inventors: **Travis Elliot Price**, Menlo Park, CA
(US); **Kyle Mulroe**, Menlo Park, CA
(US); **Jack Mulroe**, Menlo Park, CA
(US)

(73) Assignees: **Travis Elliot Price**, Menlo Park, CA
(US); **Kyle Mulroe**, Menlo Park, CA
(US); **Jack Mulroe**, Menlo Park, CA
(US)

(**) Term: **14 Years**

(21) Appl. No.: **29/481,760**

(22) Filed: **Feb. 10, 2014**

Related U.S. Application Data

(63) Continuation of application No. 29/461,597, filed on
Oct. 2, 2013.

(51) **LOC (10) Cl.** **07-01**

(52) **U.S. Cl.**
USPC **D7/301**

(58) **Field of Classification Search**
USPC D7/301, 302, 308, 317, 319, 321, 509,
D7/514, 515, 622; D9/516, 523, 524, 527,
D9/528, 544, 631; 215/385; 220/713, 715,
220/737

See application file for complete search history.

U.S. PATENT DOCUMENTS

D19,669	S	*	2/1890	Flaccus	D9/631
D255,985	S	*	7/1980	Seelig et al.	D9/523
D264,416	S	*	5/1982	Urda et al.	D7/515
D264,417	S	*	5/1982	Urda et al.	D7/515
D408,286	S	*	4/1999	Rego Garcia De Alba et al.	D9/528
D677,988	S	*	3/2013	Eubank	D7/515
D703,539	S	*	4/2014	Williams et al.	D9/523

* cited by examiner

Primary Examiner — Susan Bennett Hattan

Assistant Examiner — Leanne Was

(74) *Attorney, Agent, or Firm* — Fenwick & West LLP

(57) **CLAIM**

The ornamental design for a beverage dispensing container,
as shown and described.

DESCRIPTION

FIG. 1 is a perspective view showing the top, front side, and
left side of a beverage dispensing container according to our
new design;

FIG. 2 is a perspective view showing the top, rear side, and
left side thereof;

FIG. 3 is a front view thereof;

FIG. 4 is a rear view thereof;

FIG. 5 is a left side view thereof;

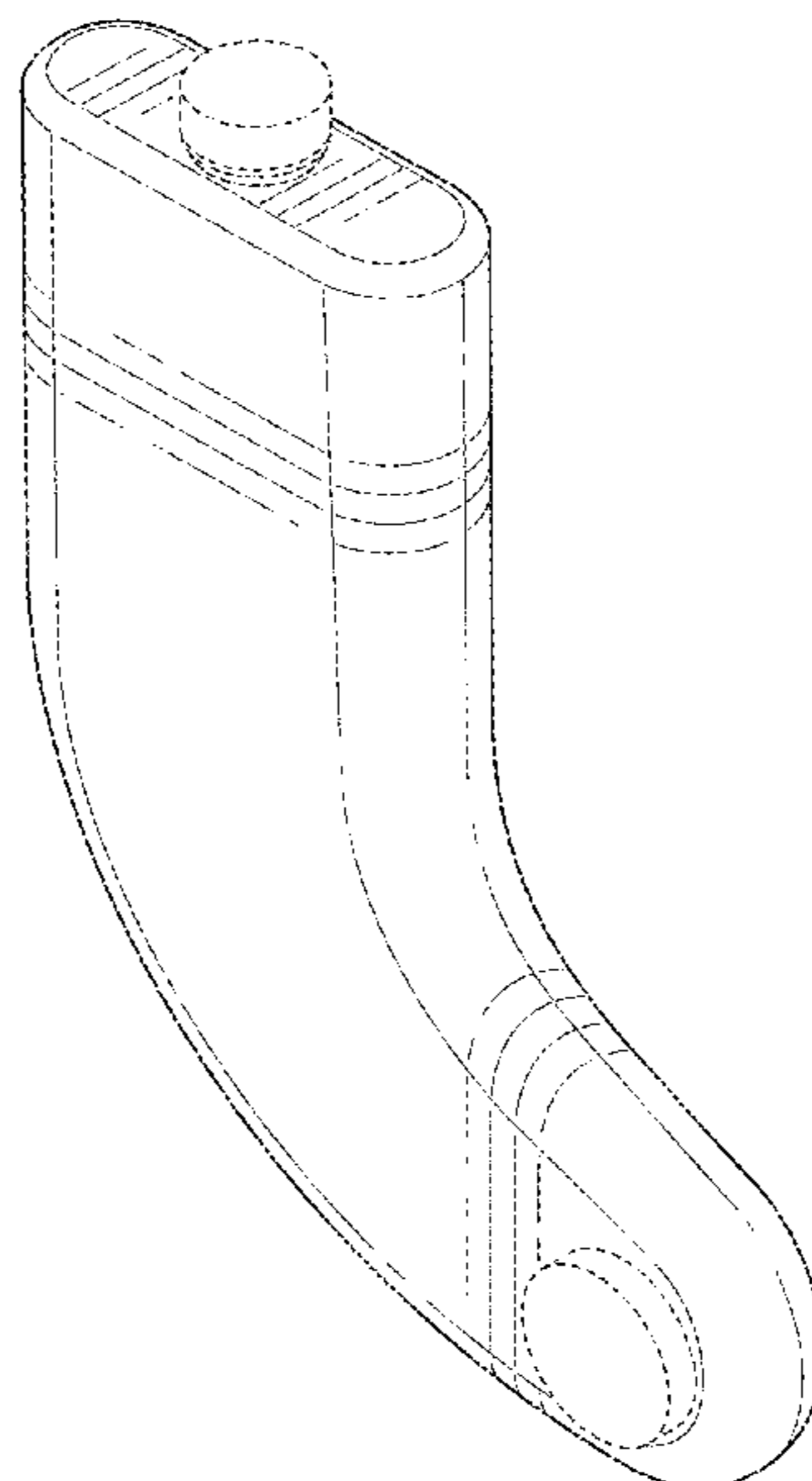
FIG. 6 is a right side view thereof;

FIG. 7 is a top view thereof; and,

FIG. 8 is a bottom view thereof.

The broken lines in the figures depict unclaimed portions of
the beverage dispensing container.

1 Claim, 6 Drawing Sheets



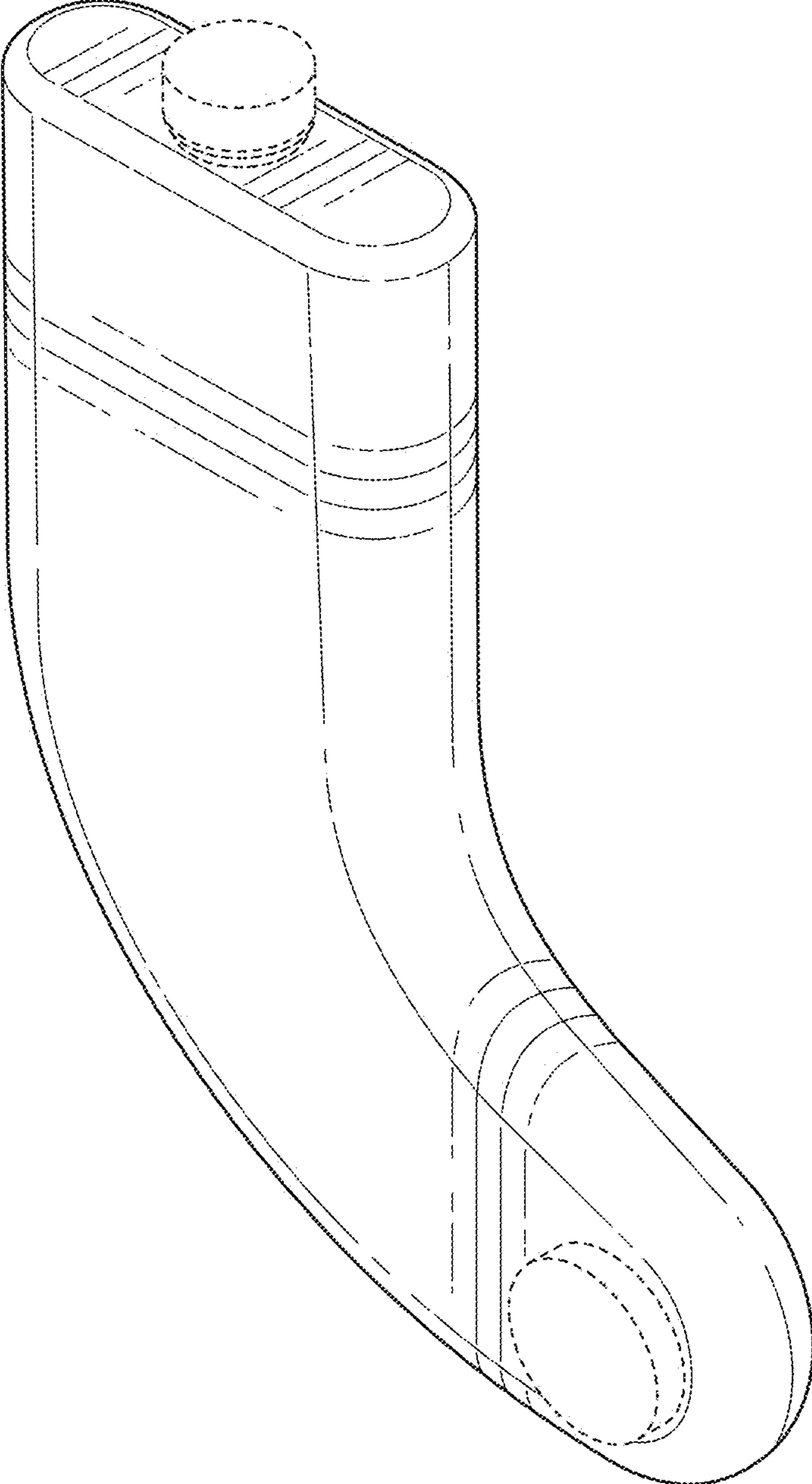


FIG. 1

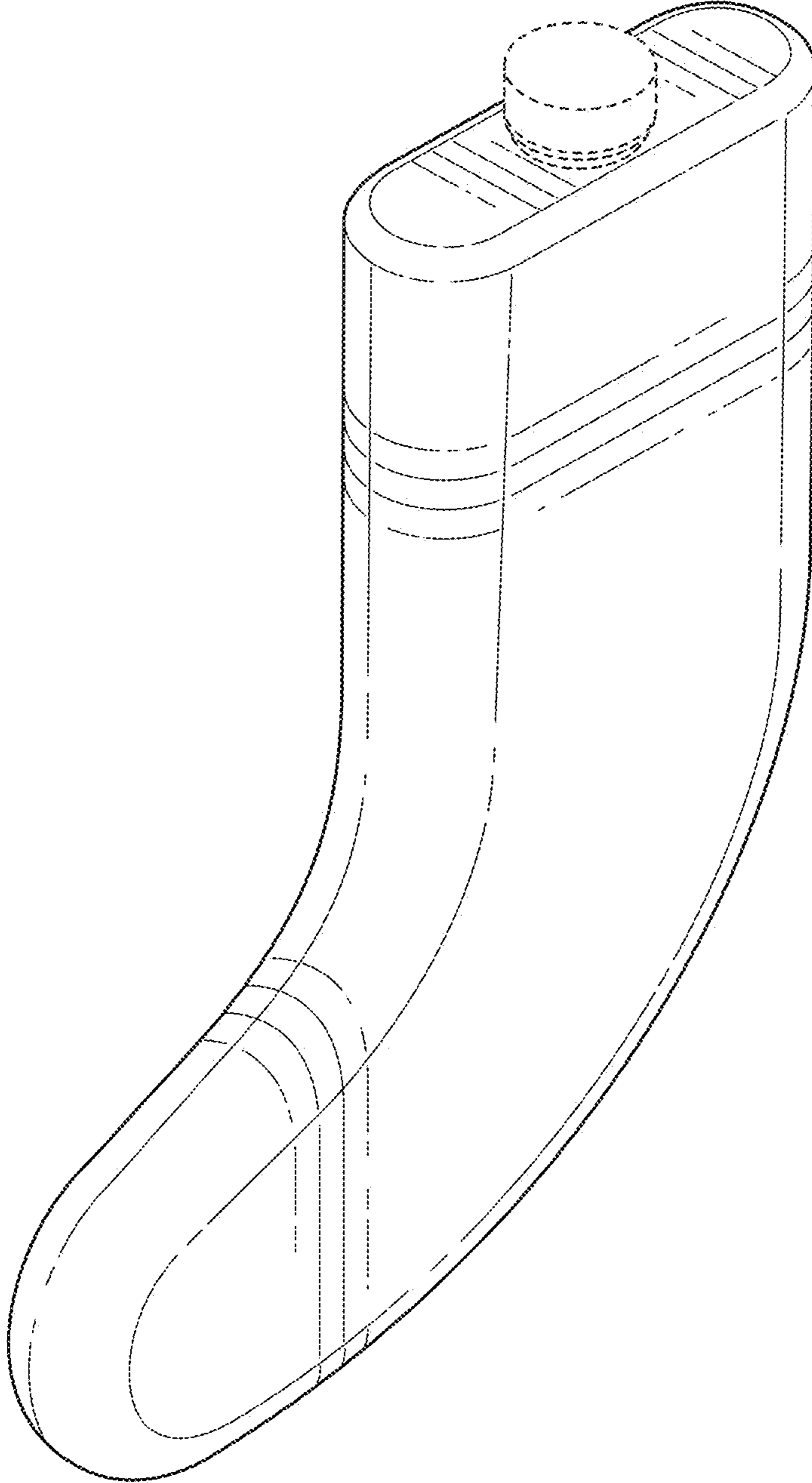


FIG. 2

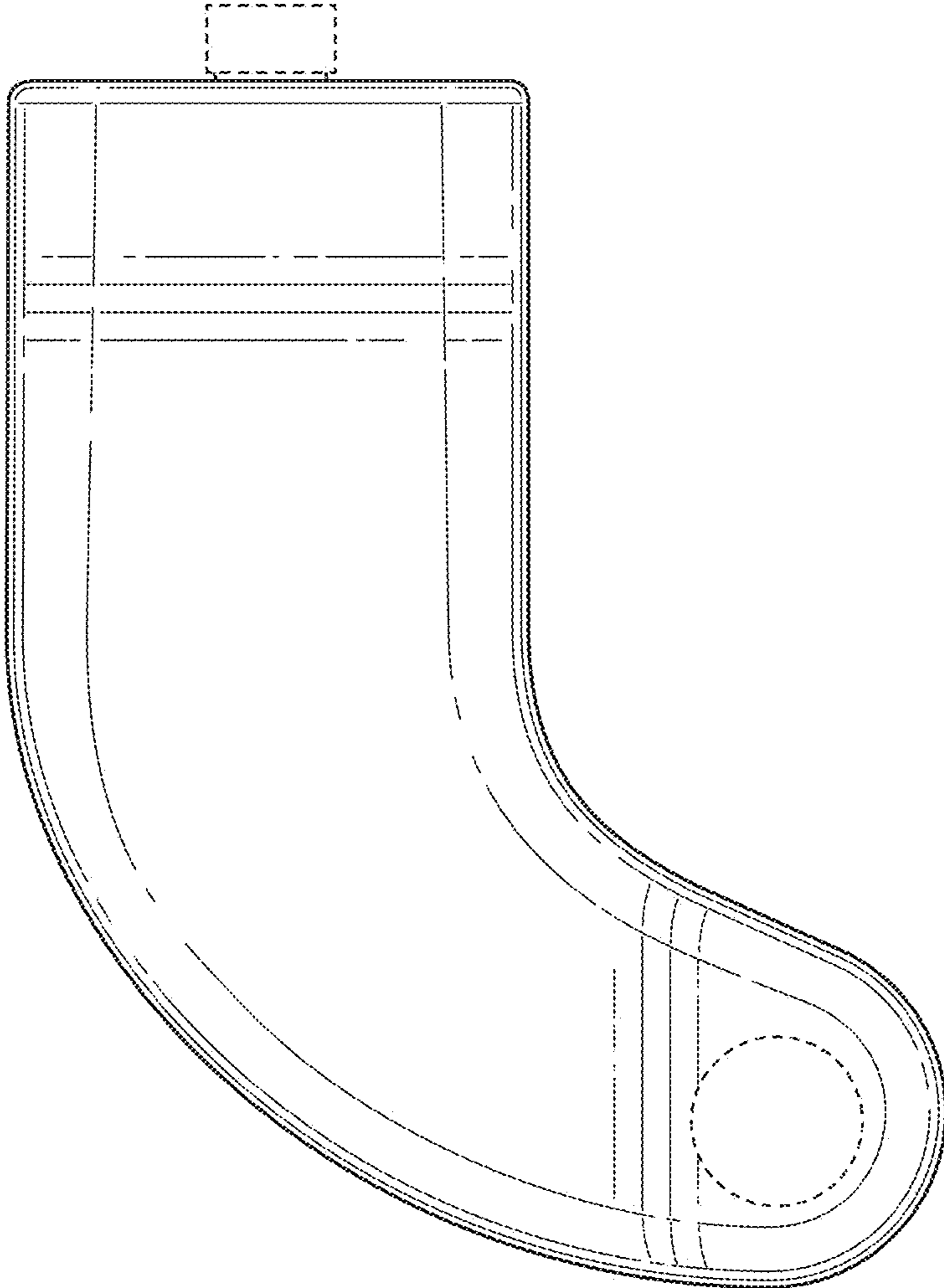


FIG. 3

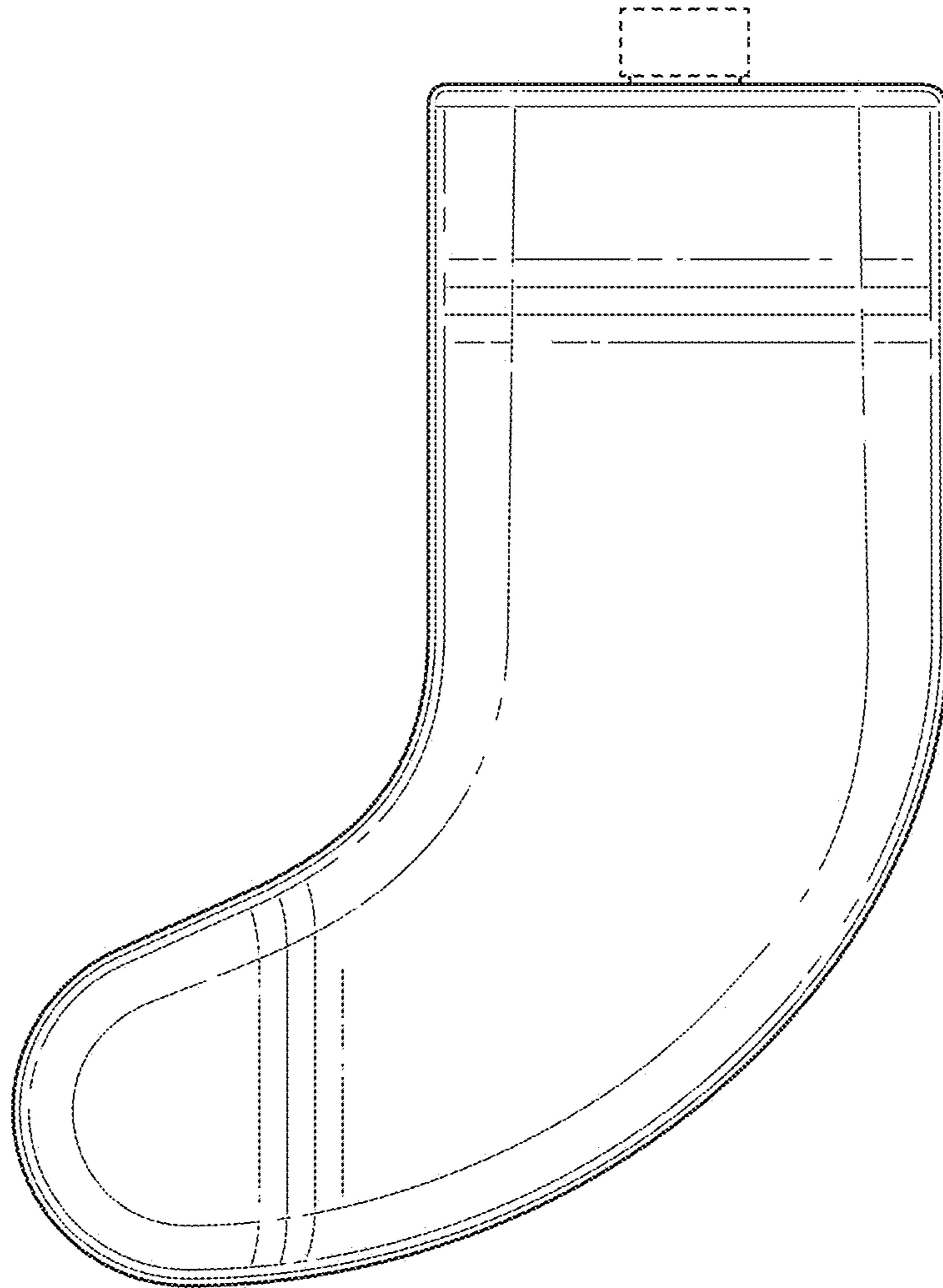


FIG. 4

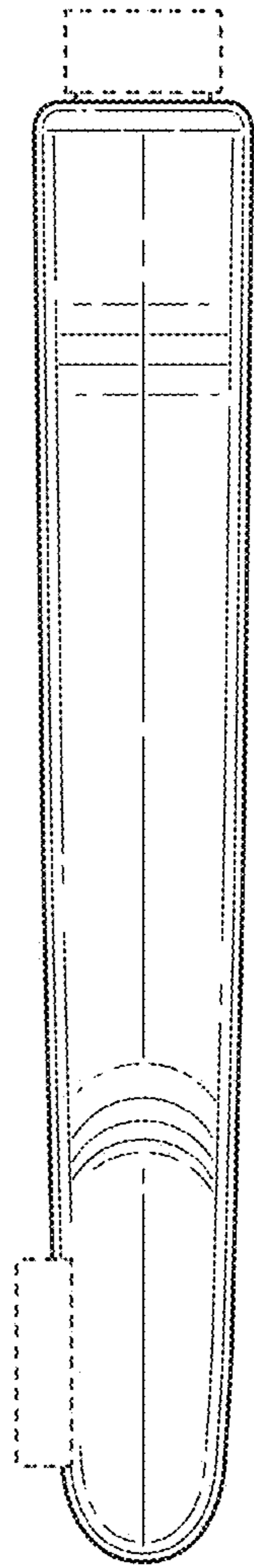


FIG. 5

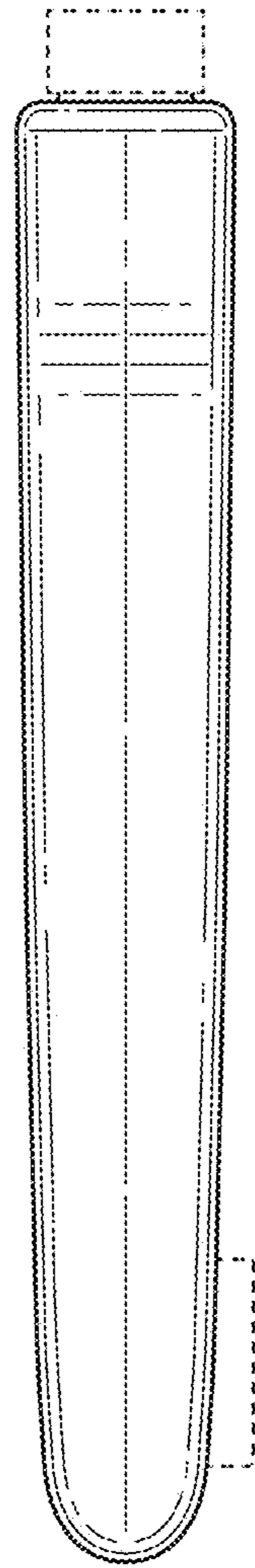


FIG. 6

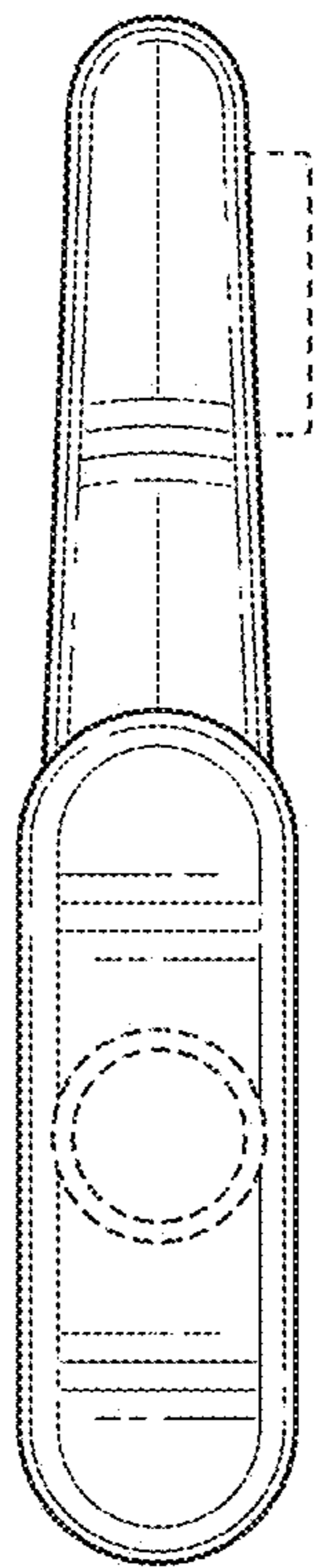


FIG. 7

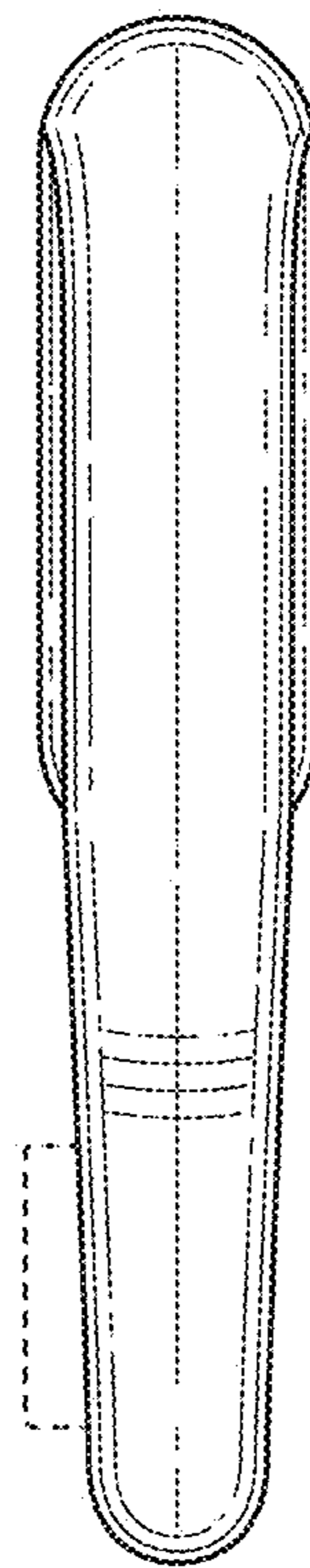


FIG. 8