

US00D719774S

(12) **United States Design Patent**
Brooks

(10) **Patent No.:** **US D719,774 S**

(45) **Date of Patent:** **** Dec. 23, 2014**

(54) **MECHANISM FOR AN OFFICE CHAIR**

(71) Applicant: **Bock 1 GmbH & Co. KG,**
Postbauer-Heng (DE)

(72) Inventor: **Paul Brooks,** Kehl am Rhein (DE)

(73) Assignee: **Bock 1 GmbH & Co. KG,**
Postbauer-Heng (DE)

(**) Term: **14 Years**

(21) Appl. No.: **29/448,344**

(22) Filed: **Mar. 12, 2013**

(30) **Foreign Application Priority Data**

Sep. 12, 2012 (EP) OHIM002101600

(51) **LOC (10) Cl.** **06-01**

(52) **U.S. Cl.**
USPC **D6/716.7**

(58) **Field of Classification Search**
USPC D6/334-336, 360-381, 716,
D6/716.1-716.7; 248/578; 297/285, 300.1,
297/300.4, 325, 396, 397, 284.4, 411.28,
297/440.2, 452.21, 452.26, 452.29, 452.3,
297/452.32, 452.35, 452.48
See application file for complete search history.

(56) **References Cited**

U.S. PATENT DOCUMENTS

622,073 A * 3/1899 Quinlan 248/578
4,067,610 A * 1/1978 Doerr et al. 297/300.4

D292,459 S * 10/1987 Doerner D6/500
D377,283 S * 1/1997 Su D6/500
6,276,755 B1 * 8/2001 Su 297/285
6,378,943 B1 * 4/2002 Beggs et al. 297/325
D479,066 S * 9/2003 Klaesener et al. D6/500
6,619,740 B2 * 9/2003 Beggs 297/300.1
D579,241 S * 10/2008 Breen D6/500
D582,705 S * 12/2008 Donati D6/500
D653,481 S * 2/2012 Moreschi D6/500
D657,167 S * 4/2012 Costaglia D6/500
D707,477 S * 6/2014 Minino et al. D6/716

* cited by examiner

Primary Examiner — Ricky Pham

(74) *Attorney, Agent, or Firm* — Laurence A. Greenberg;
Werner H. Stemer; Ralph E. Locher

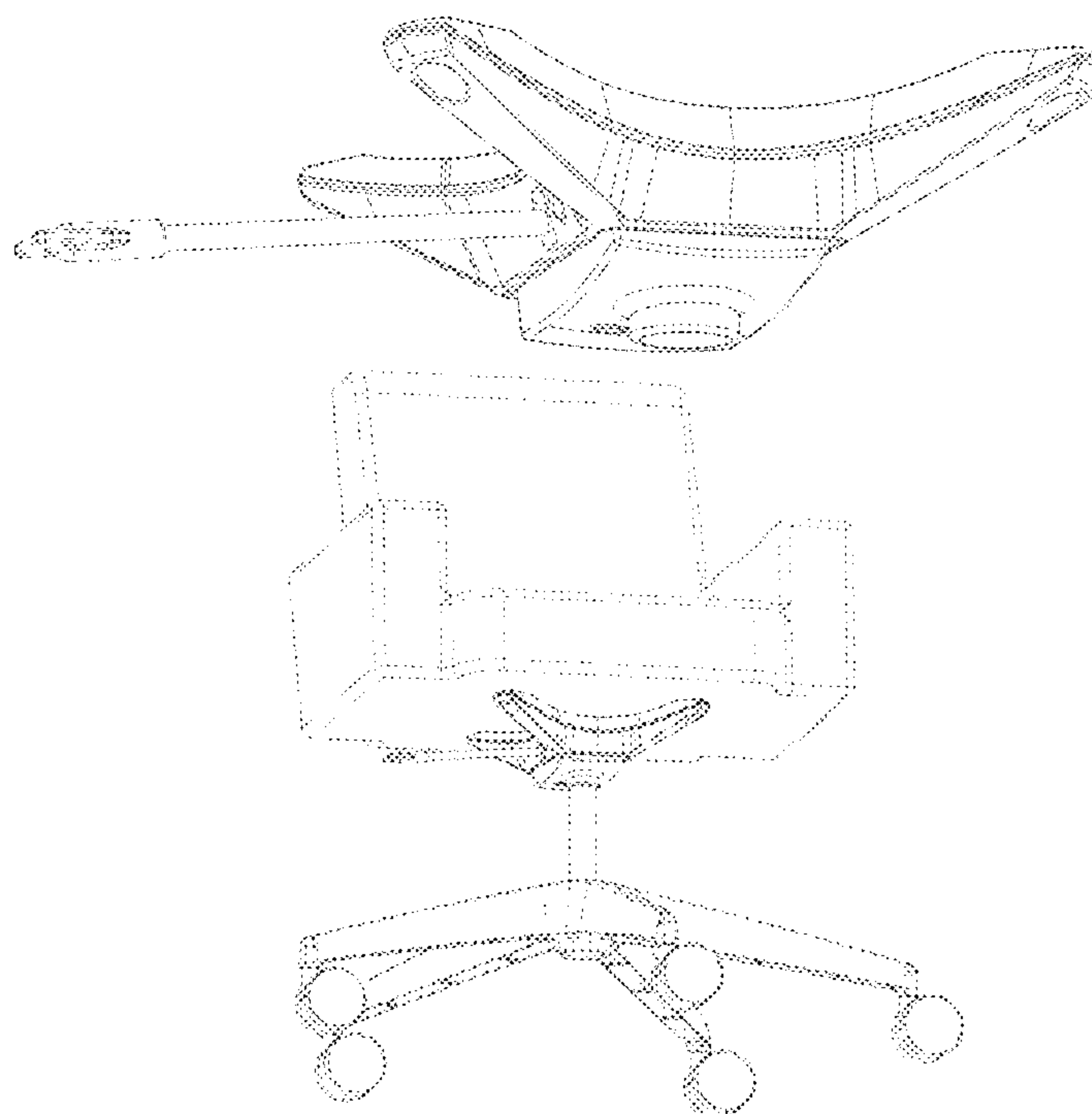
(57) **CLAIM**

The ornamental design for a mechanism for an office chair, as shown and described.

DESCRIPTION

FIG. 1 is a bottom perspective view of the mechanism for an office chair, showing my new design;
FIG. 2 is a side elevation view thereof;
FIG. 3 is a top view thereof;
FIG. 4 is a bottom view thereof;
FIG. 5 is a front elevation view thereof;
FIG. 6 is a bottom perspective view thereof, showing the mechanism in the context of an office chair, the unclaimed subject matter being drawn in broken lines;
FIG. 7 is a side elevation view thereof; and,
FIG. 8 is front elevation view thereof.
The subject matter illustrated in broken lines forms no part of the claimed design.

1 Claim, 8 Drawing Sheets



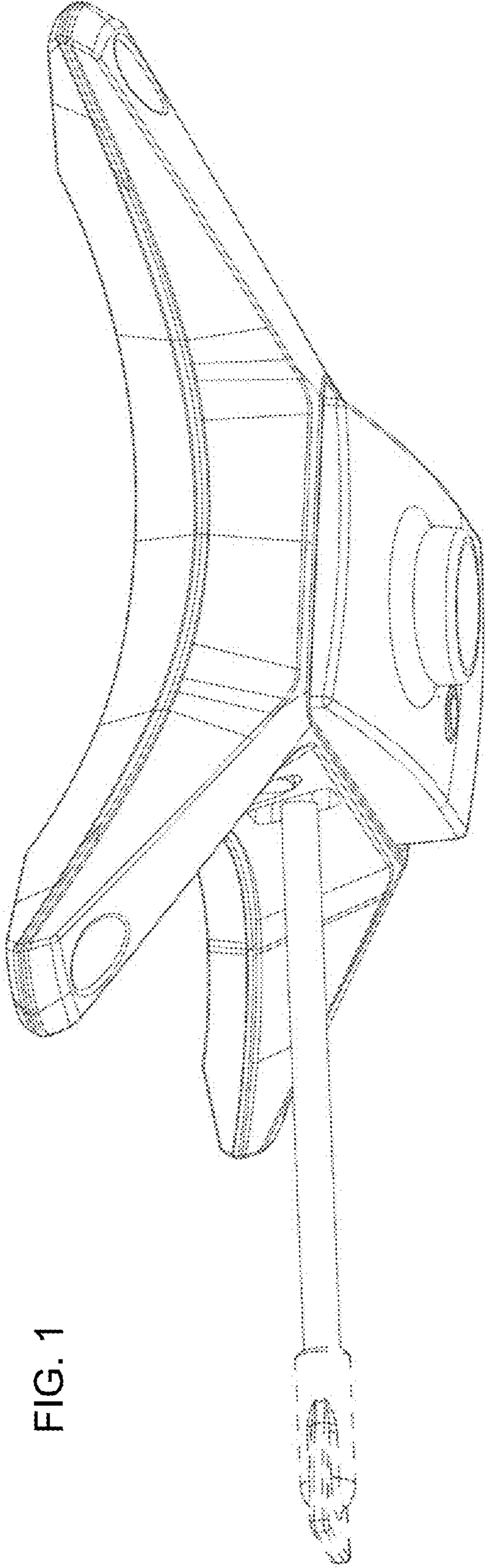


FIG. 1

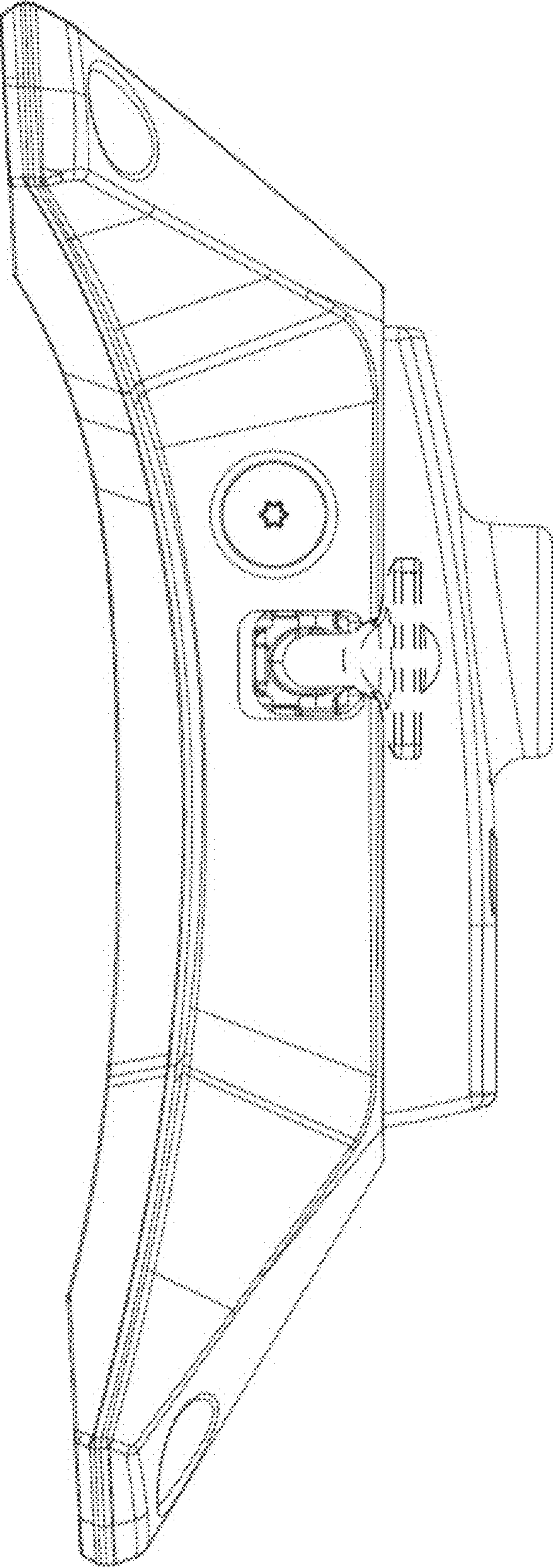


FIG. 2

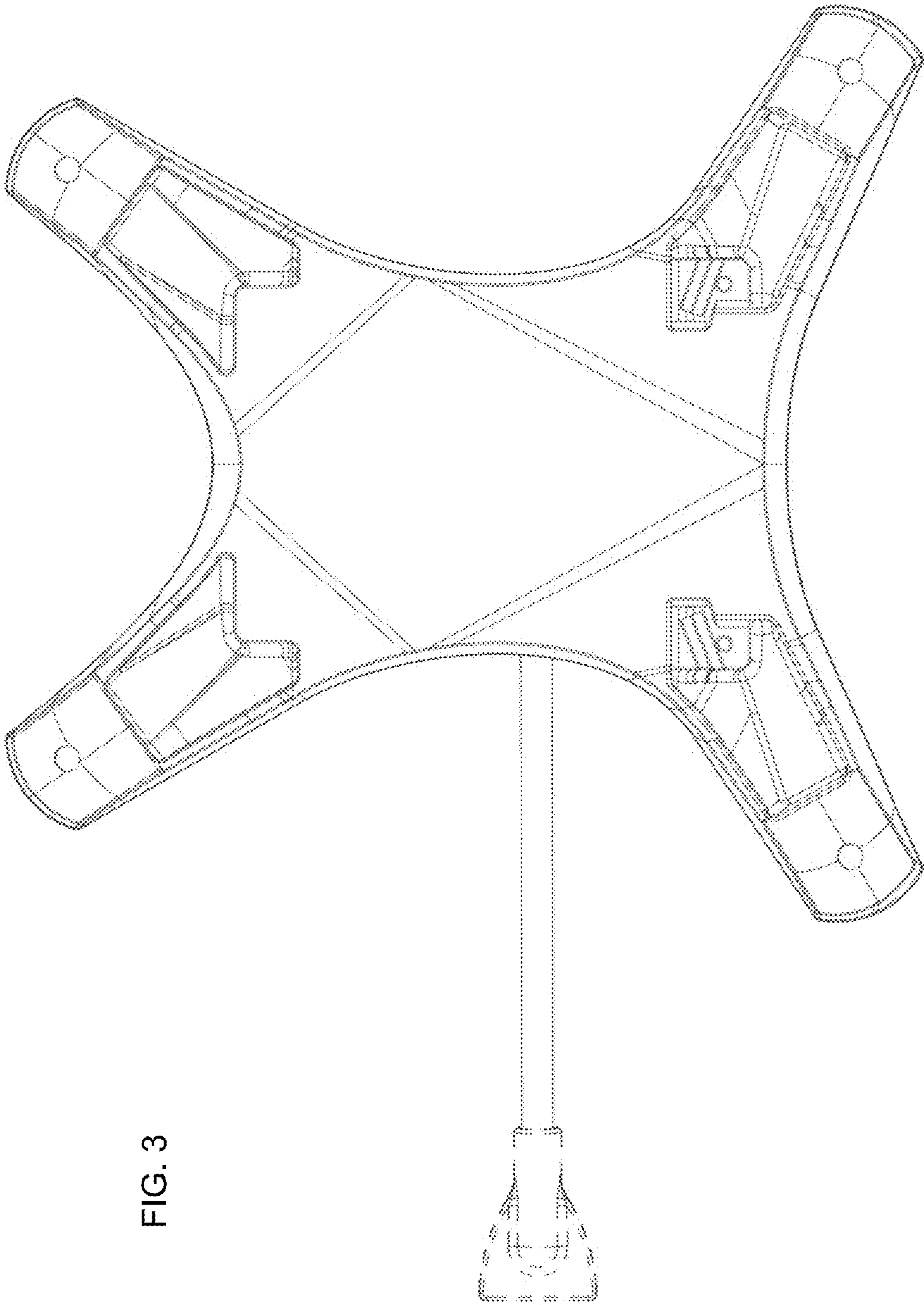


FIG. 3

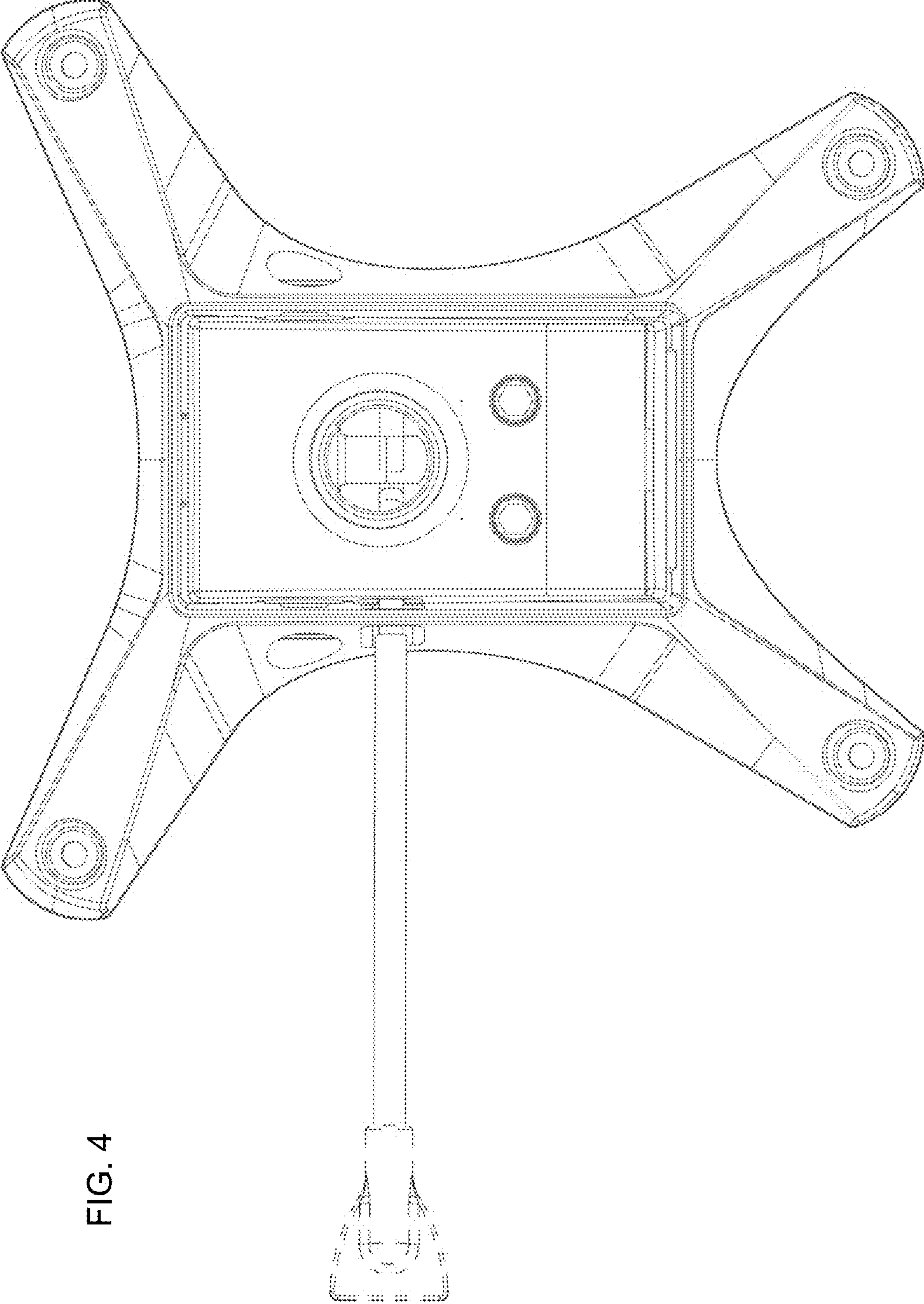


FIG. 4

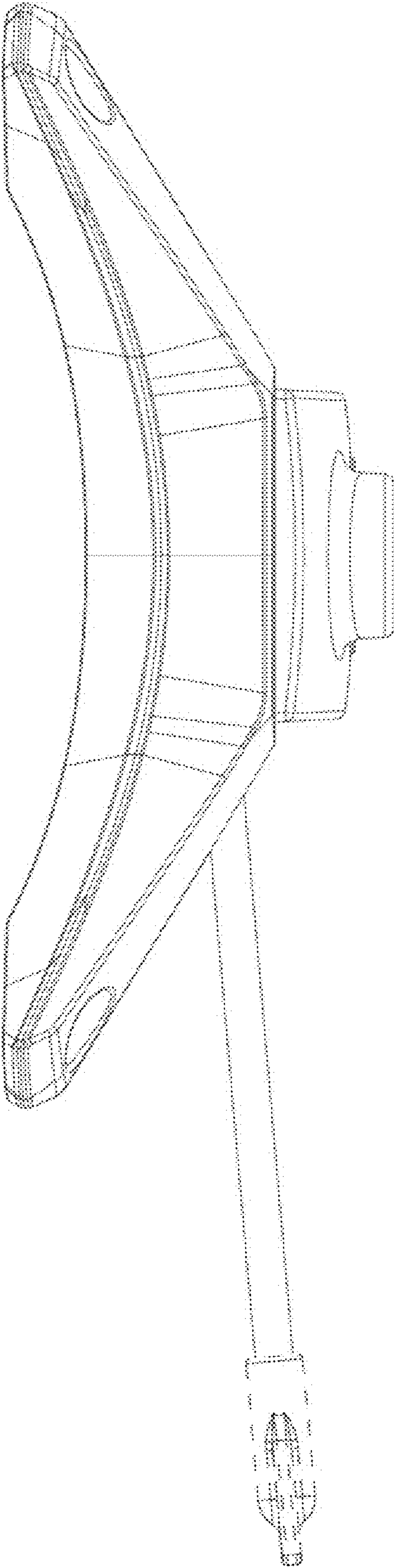


FIG. 5

FIG. 6

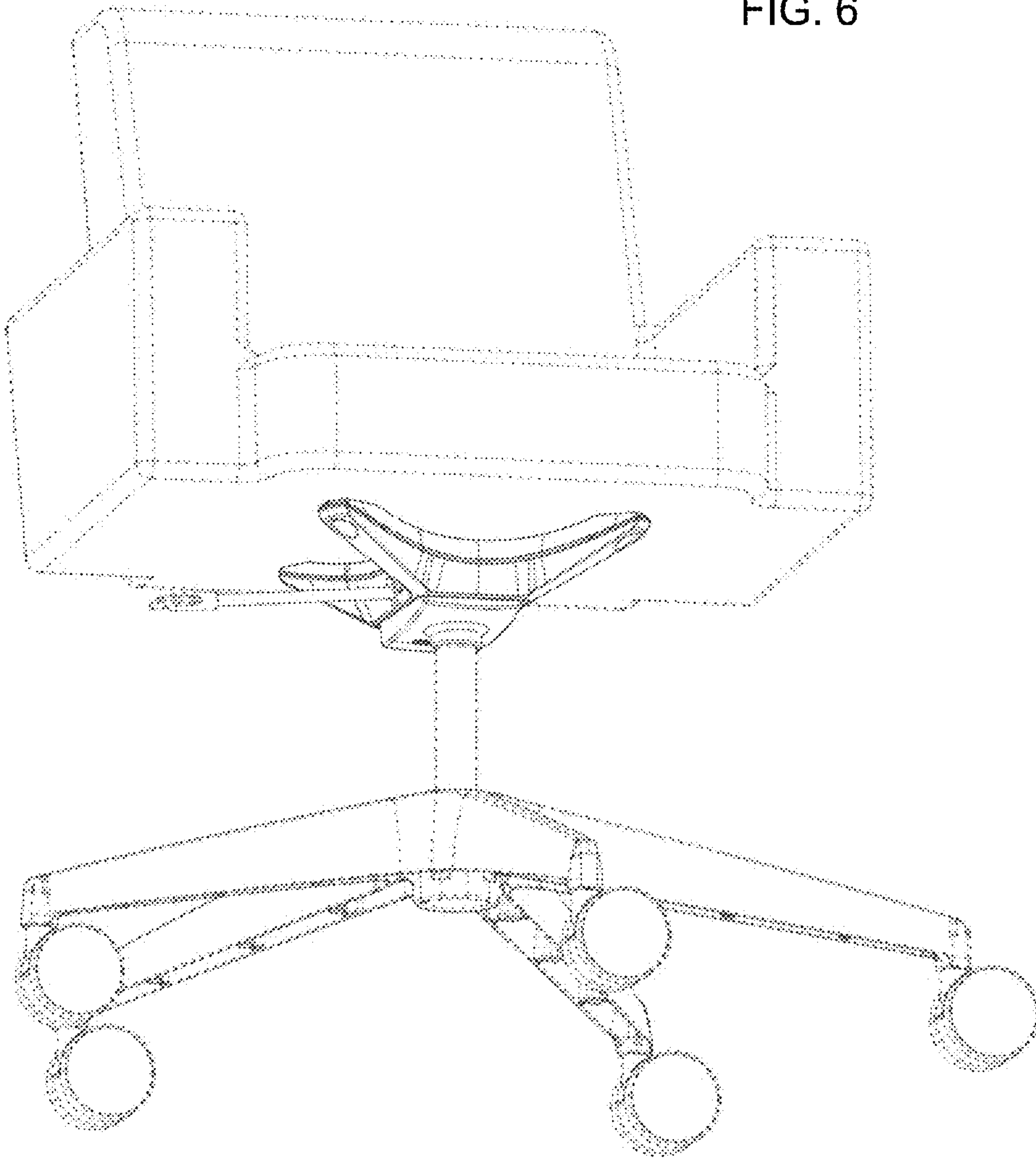


FIG. 7

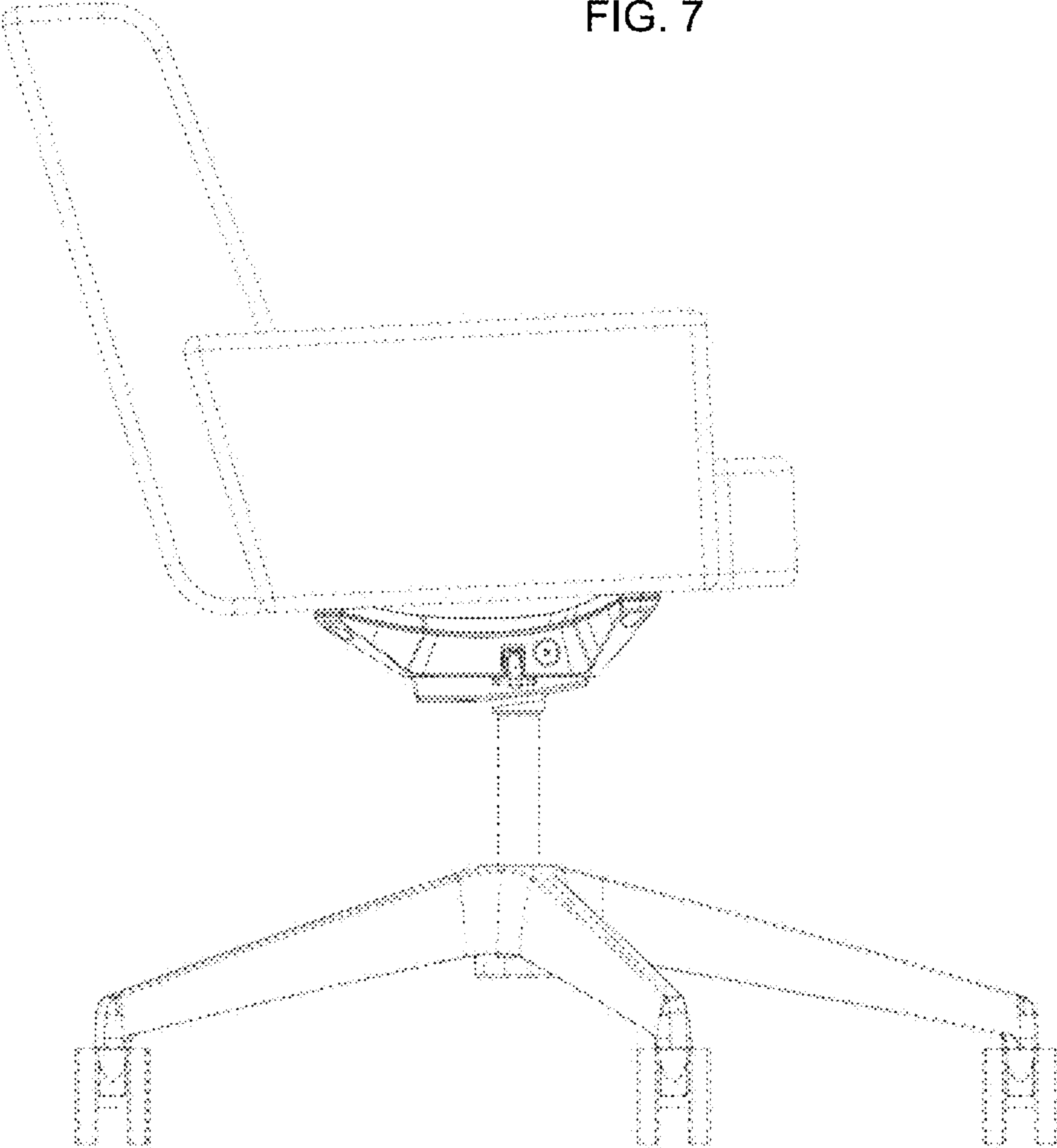


FIG. 8

