



US00D719771S

(12) **United States Design Patent**
Bergum

(10) **Patent No.:** **US D719,771 S**

(45) **Date of Patent:** **** Dec. 23, 2014**

(54) **STORAGE CABINET WITH DRAWER**

(71) Applicant: **Knaack LLC**, Crystal Lake, IL (US)

(72) Inventor: **Robert A. Bergum**, Woodstock, IL (US)

(73) Assignee: **Knaack LLC**, Crystal Lake, IL (US)

(**) Term: **14 Years**

(21) Appl. No.: **29/467,554**

(22) Filed: **Sep. 20, 2013**

(51) **LOC (10) Cl.** **06-04**

(52) **U.S. Cl.**
USPC **D6/705.5**

(58) **Field of Classification Search**
USPC D3/279, 318; D6/400, 432, 436-441,
D6/445-448, 510, 663, 667, 671, 671.1;
D7/606; D24/128, 169, 172, 185;
D34/12-27; 43/54.1; 70/63; 206/373;
312/108, 204, 219, 249.4, 249.11,
312/249.12, 277, 281, 308-310, 328, 330.1
See application file for complete search history.

(56) **References Cited**

U.S. PATENT DOCUMENTS

4,659,154	A *	4/1987	Jenkins	312/277
4,782,619	A *	11/1988	Richards	43/54.1
5,332,305	A *	7/1994	Slivon et al.	312/328
5,720,535	A *	2/1998	Mehman	312/219

D430,426	S *	9/2000	Bieker et al.	D6/445
D462,168	S *	9/2002	Klemmensen et al.	D3/279
6,736,265	B2 *	5/2004	Kipper et al.	206/373
D557,870	S *	12/2007	MacMillan	D34/14
D585,244	S *	1/2009	Balmas et al.	D7/606
D587,014	S *	2/2009	Hand	D3/318
D668,474	S *	10/2012	Lim	D6/440
2002/0074905	A1 *	6/2002	Tiramani et al.	312/108
2006/0230794	A1 *	10/2006	Liu	70/63

* cited by examiner

Primary Examiner — Ricky Pham

(74) *Attorney, Agent, or Firm* — McDonnell Boehnen Hulbert & Bergoff LLP

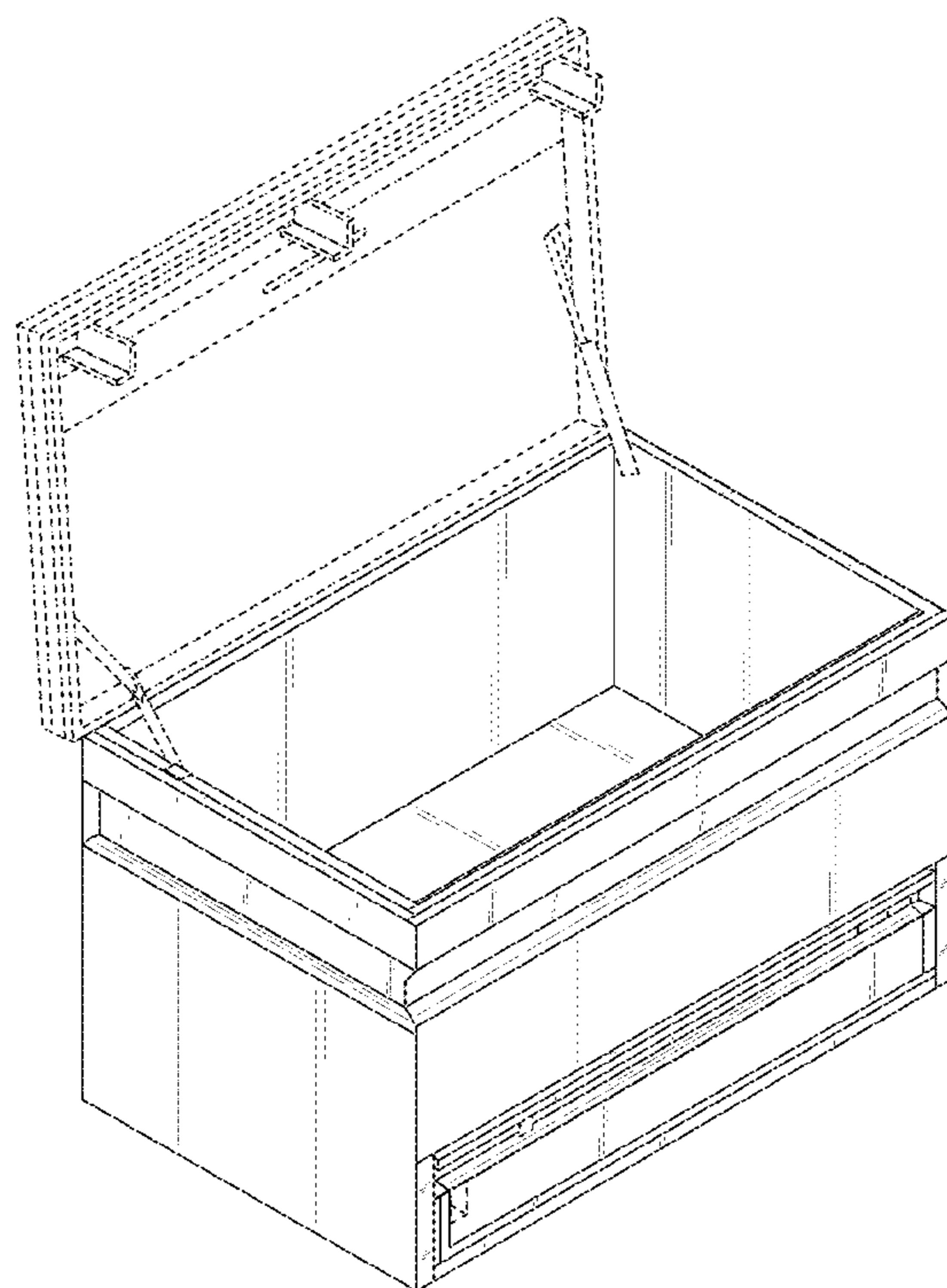
(57) **CLAIM**

The ornamental design for a storage cabinet with drawer, as shown and described.

DESCRIPTION

FIG. 1 is a perspective view of the storage cabinet with drawer of the present design;
FIG. 2 is a front view thereof;
FIG. 3 is a rear view thereof;
FIG. 4 is a left side view thereof;
FIG. 5 is a right side view thereof;
FIG. 6 is a top view thereof; and,
FIG. 7 is a bottom view thereof.
The broken line portions of the drawings are for illustrative purposes only and form no part of the claimed design.

1 Claim, 7 Drawing Sheets



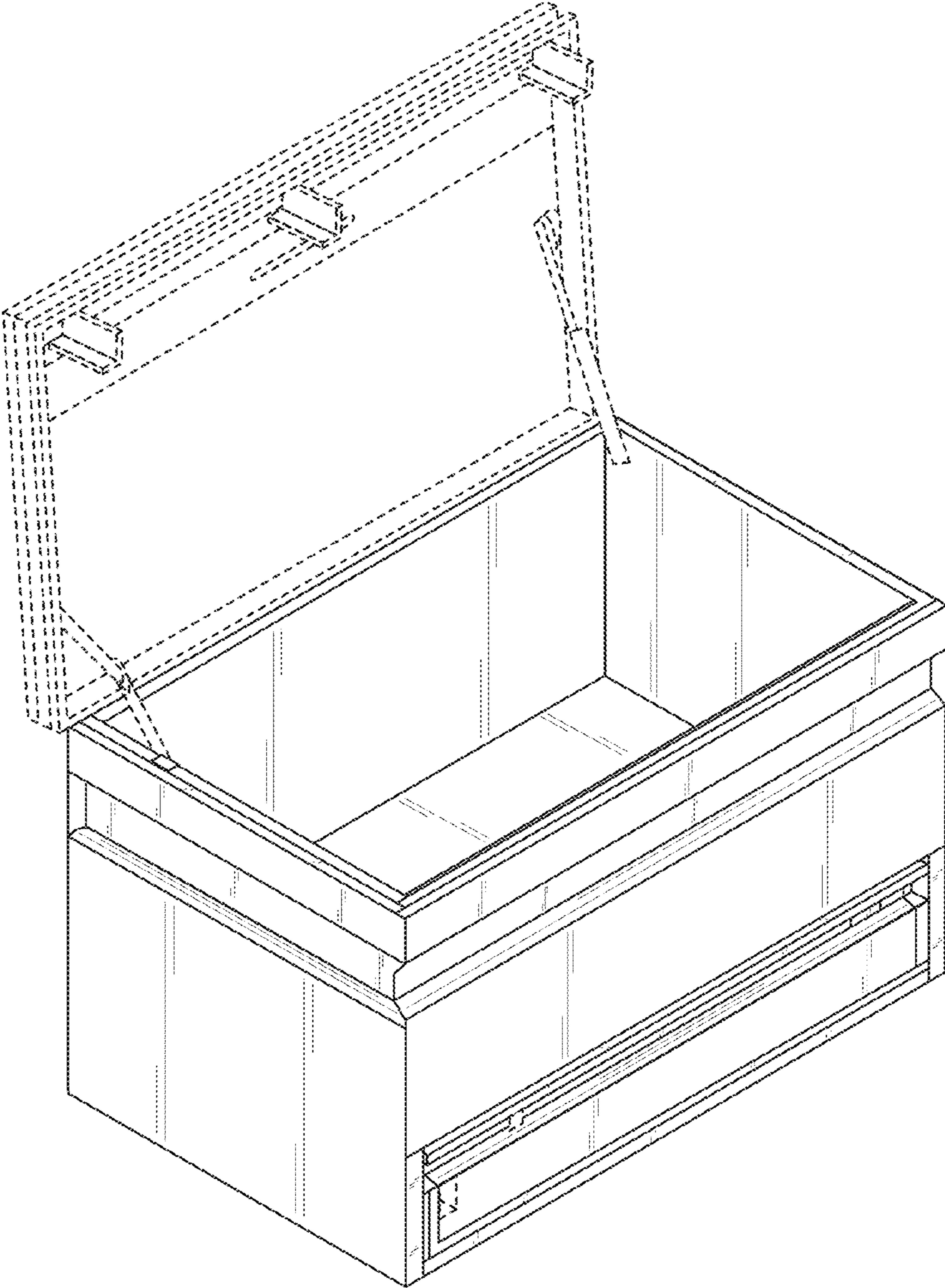


FIG. 1

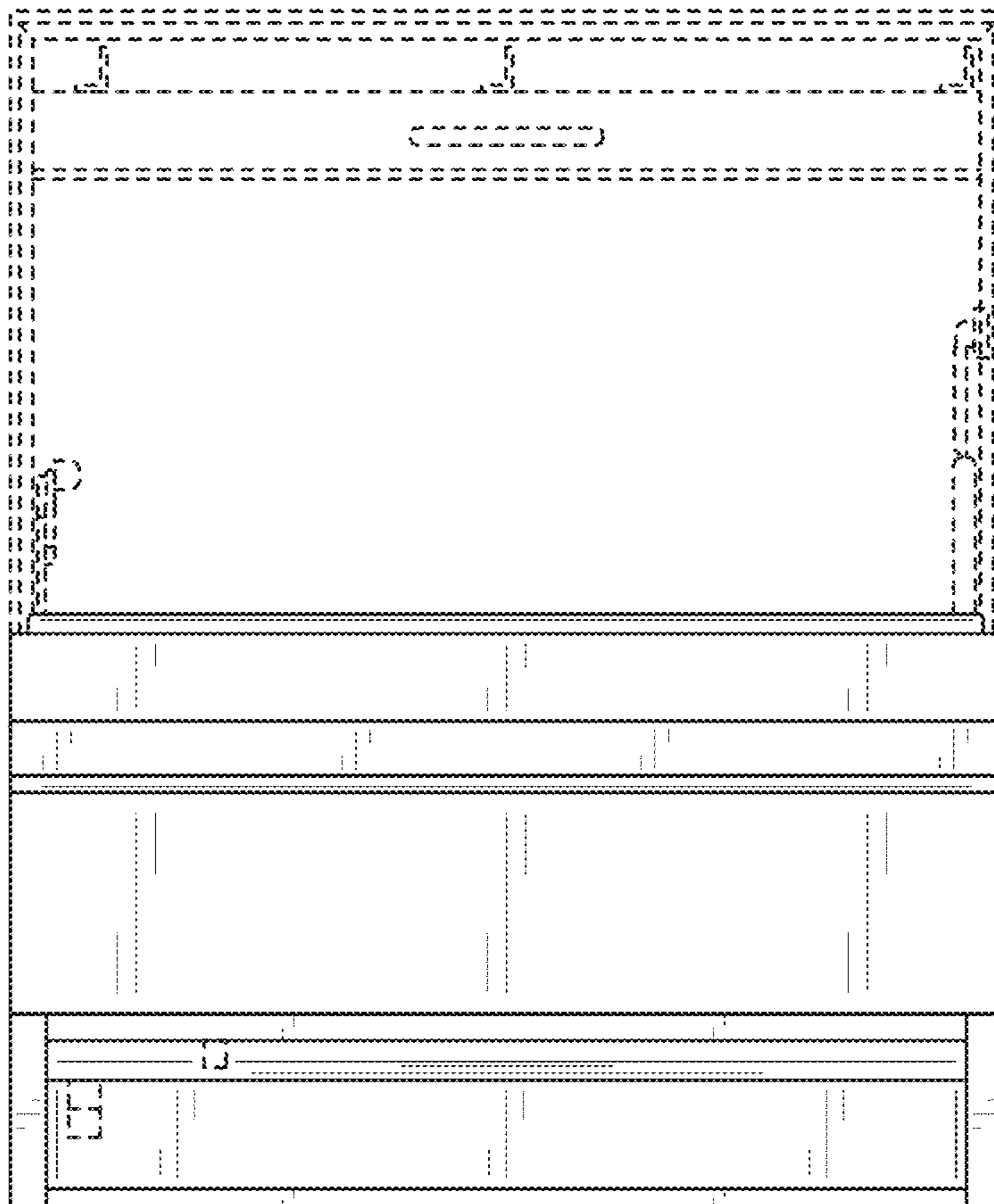


FIG. 2

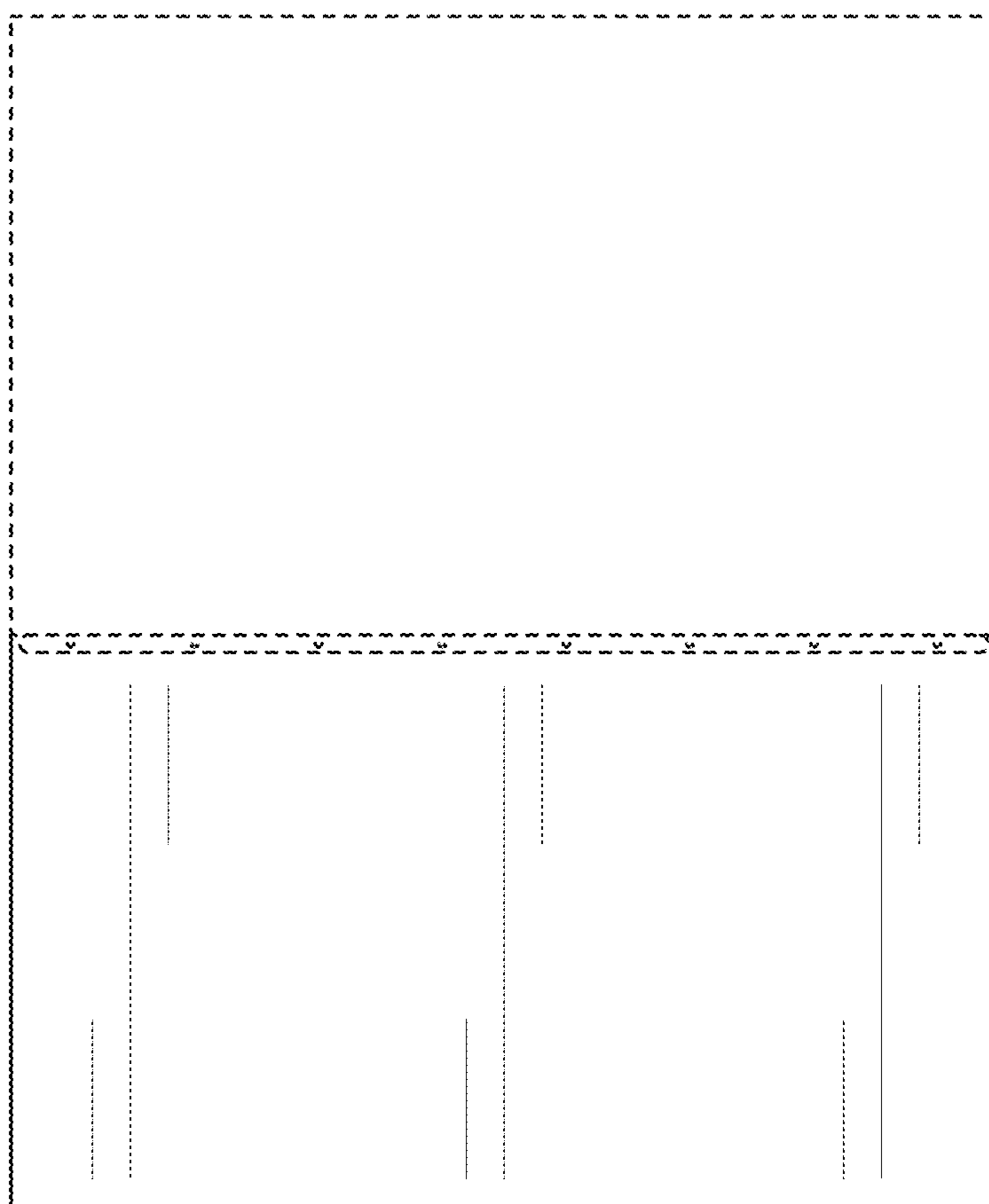


FIG. 3

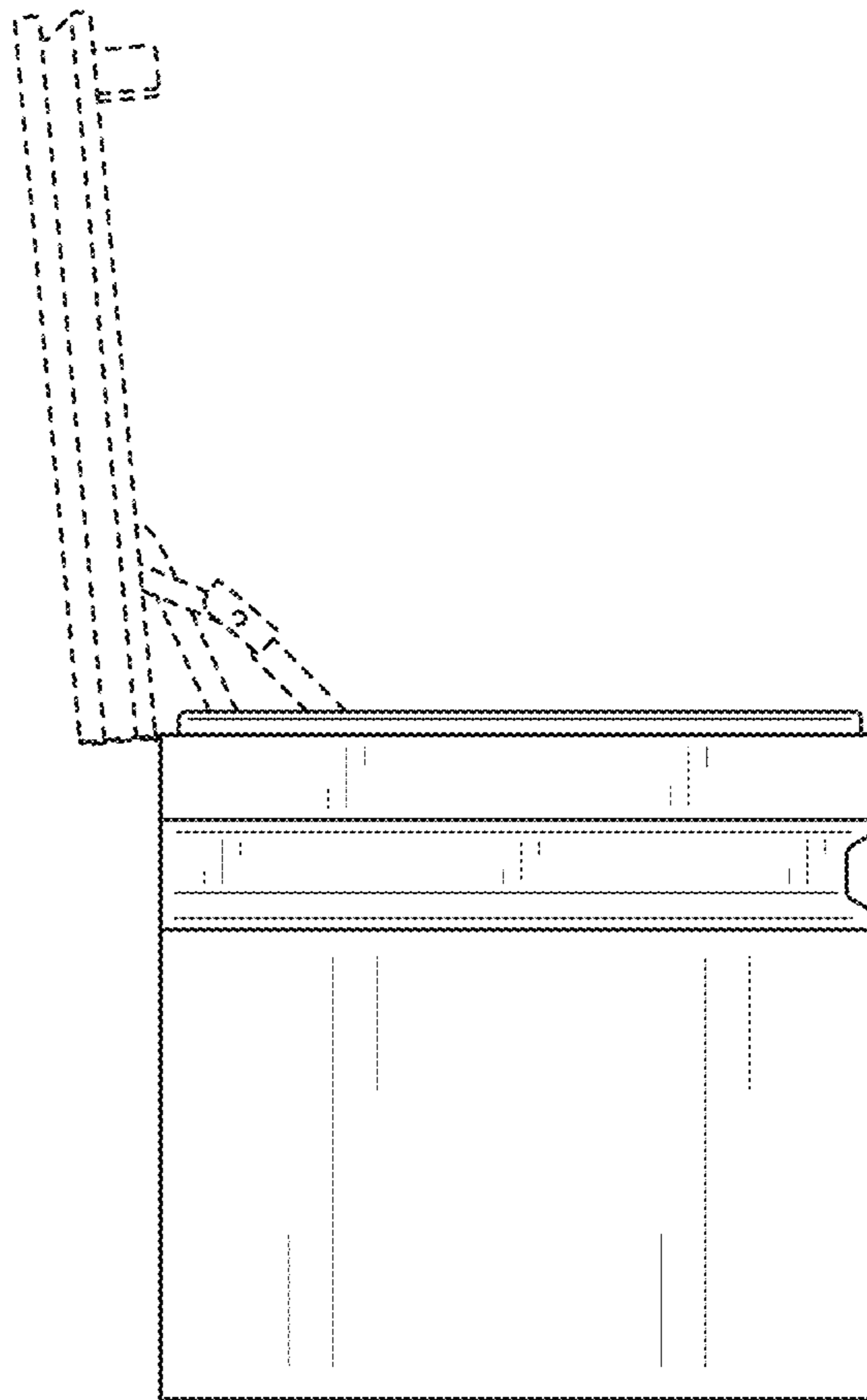


FIG. 4

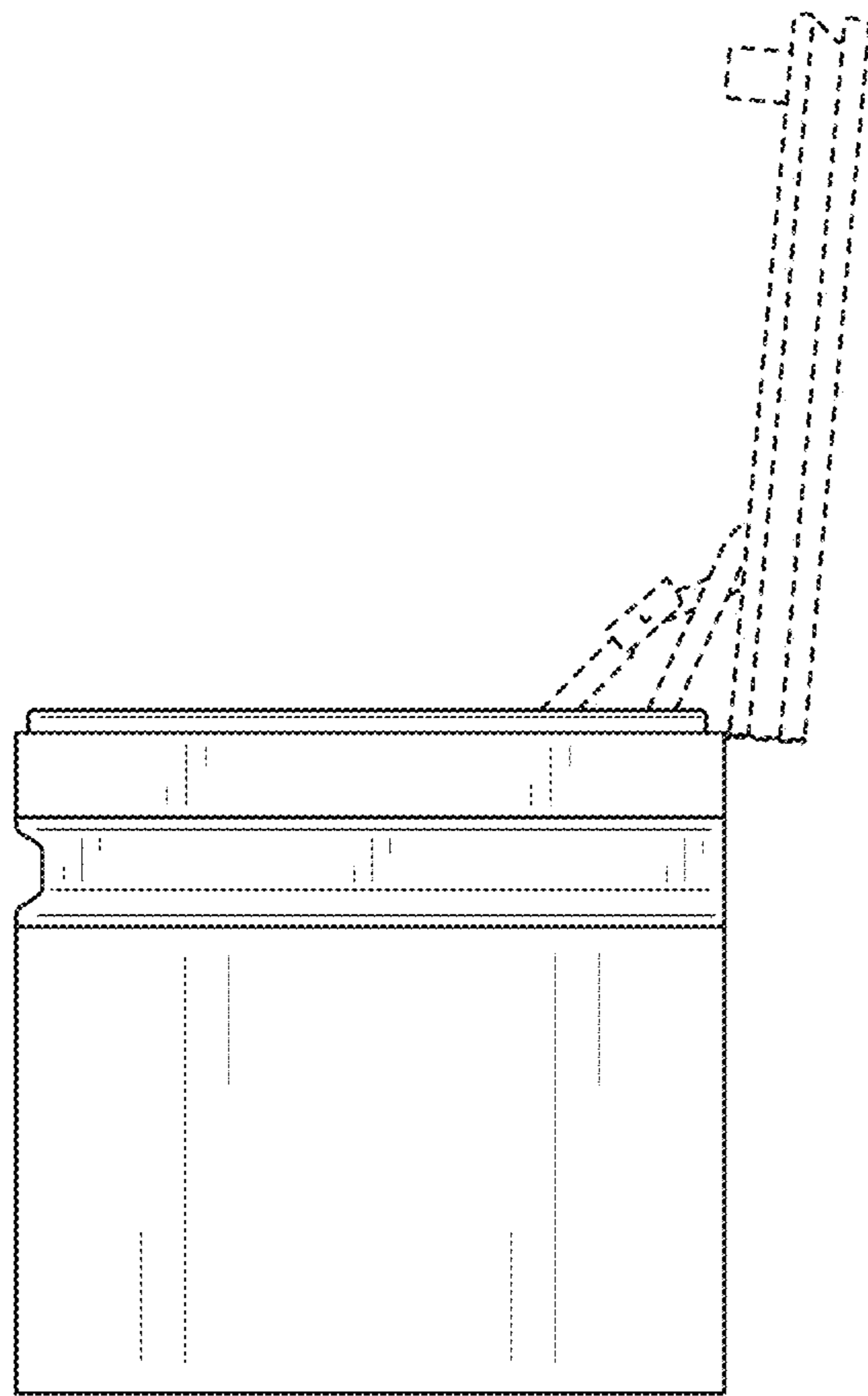


FIG. 5

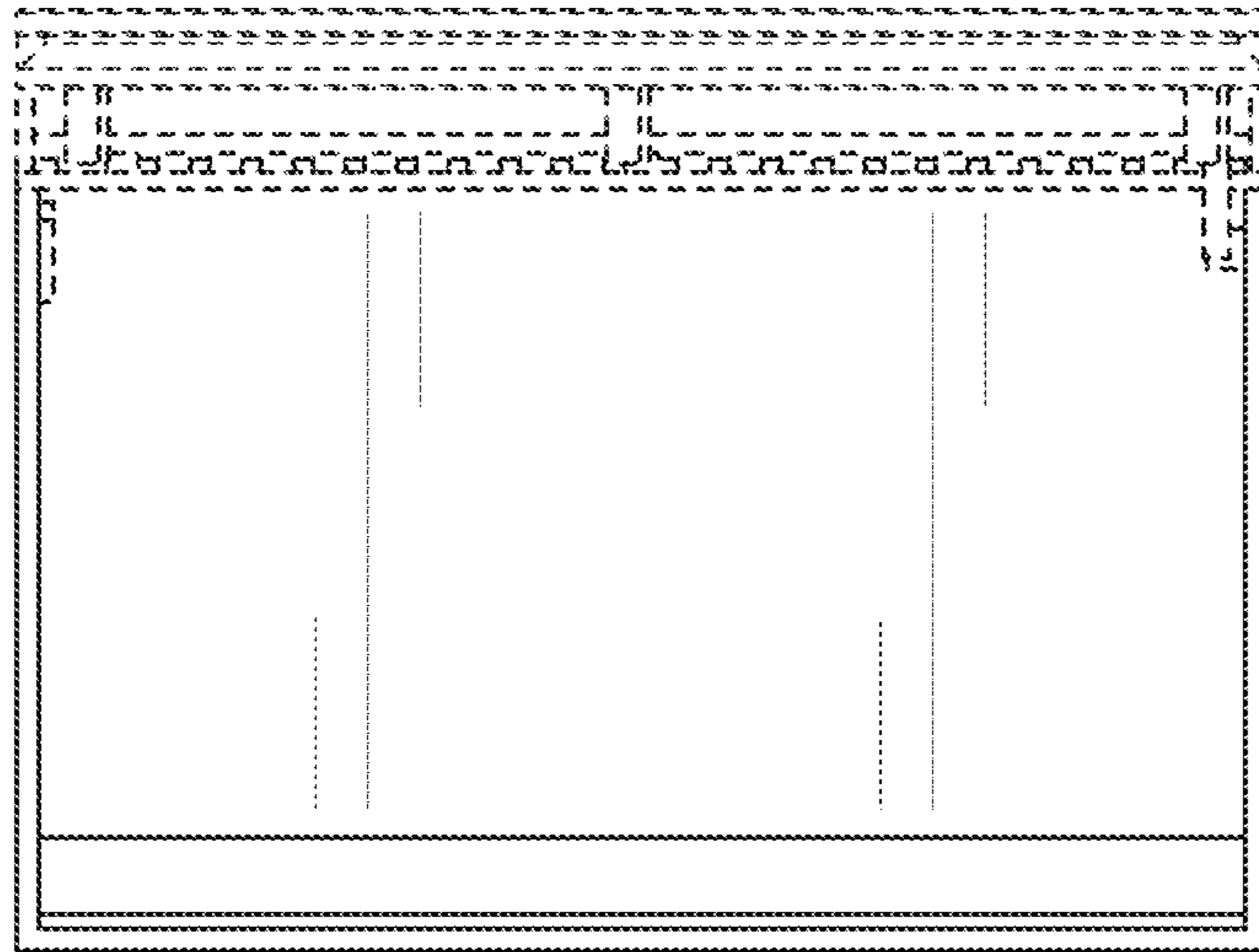


FIG. 6

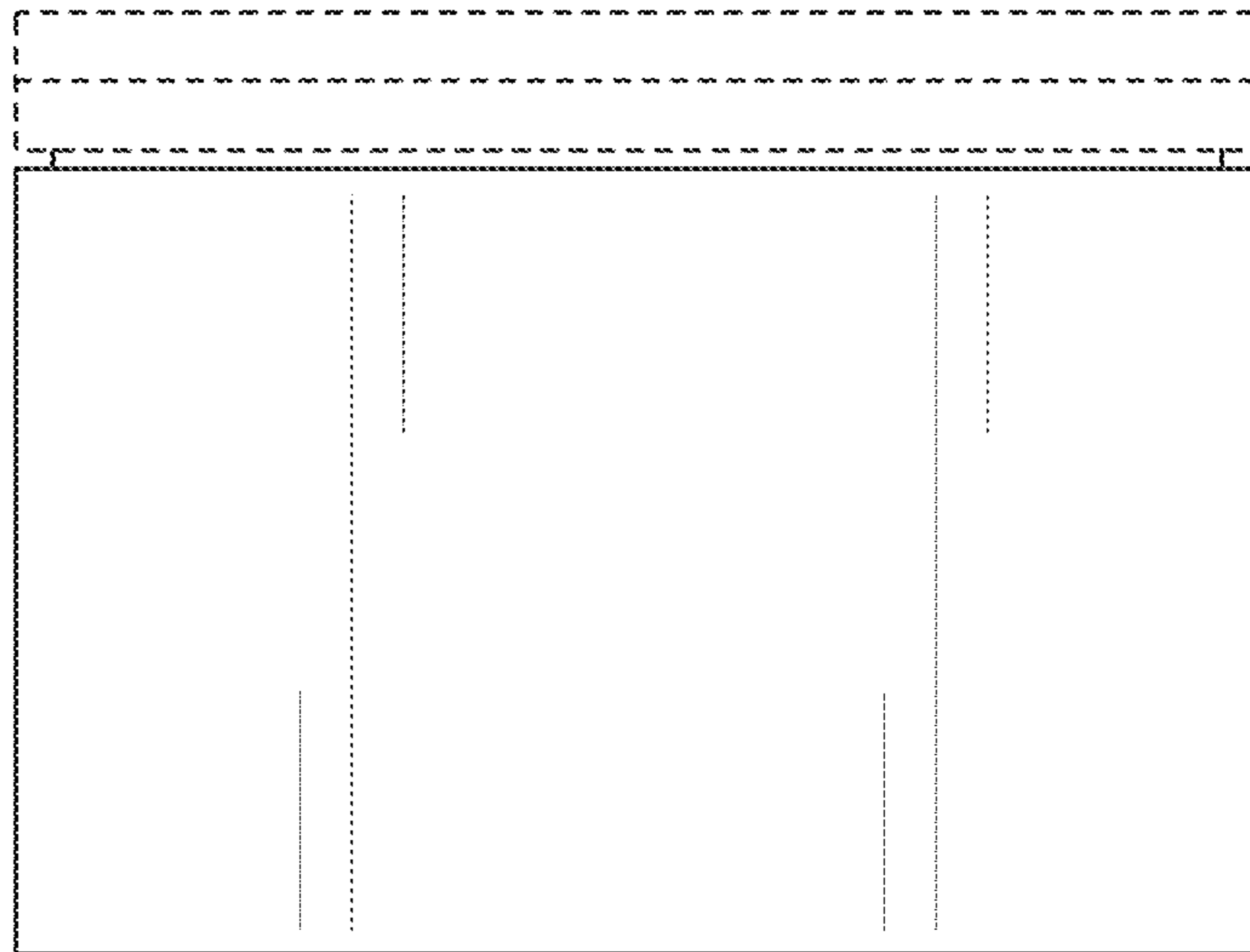


FIG. 7