



US00D719769S

(12) **United States Design Patent**  
**Daniels**

(10) **Patent No.:** **US D719,769 S**

(45) **Date of Patent:** **\*\* Dec. 23, 2014**

(54) **WIG AND HAT DISPLAY STAND**

(71) Applicant: **Tanisha Daniels**, Cleveland, OH (US)

(72) Inventor: **Tanisha Daniels**, Cleveland, OH (US)

(\*\*) Term: **14 Years**

(21) Appl. No.: **29/495,476**

(22) Filed: **Jul. 1, 2014**

(51) **LOC (10) Cl.** ..... **06-06**

(52) **U.S. Cl.**

USPC ..... **D6/682.1**

(58) **Field of Classification Search**

USPC ..... D6/467, 454-455, 677, 677.1, 677.3,  
D6/678, 678.1, 678.2, 681, 681.1, 681.2,  
D6/681.3, 682, 682.1; 211/13.1, 30, 85.18,  
211/86.01, 95, 163-65, 207; 108/92, 94,  
108/95; D20/32; 248/100

See application file for complete search history.

(56) **References Cited**

**U.S. PATENT DOCUMENTS**

D245,131 S *	7/1977	Johnsson	.....	D6/460
D254,174 S *	2/1980	Horback	.....	D6/455
D271,913 S *	12/1983	Nanfito et al.	.....	D32/55
D304,395 S *	11/1989	Taylor	.....	D6/405
4,991,344 A *	2/1991	Carney	.....	47/39
D328,536 S *	8/1992	Ma	.....	D6/460

D331,670 S *	12/1992	Soucy et al.	.....	D6/405
D348,575 S *	7/1994	Dunn	.....	D6/457
D352,870 S *	11/1994	Eriksen	.....	D7/708
D538,064 S *	3/2007	Schechter	.....	D6/462
D566,990 S *	4/2008	Cook	.....	D6/462
D587,489 S *	3/2009	Alimenti	.....	D6/457
D624,332 S	9/2010	Nwatu et al.		

\* cited by examiner

*Primary Examiner* — Kelley Donnelly

(74) *Attorney, Agent, or Firm* — QuickPatents; Kevin Prince

(57) **CLAIM**

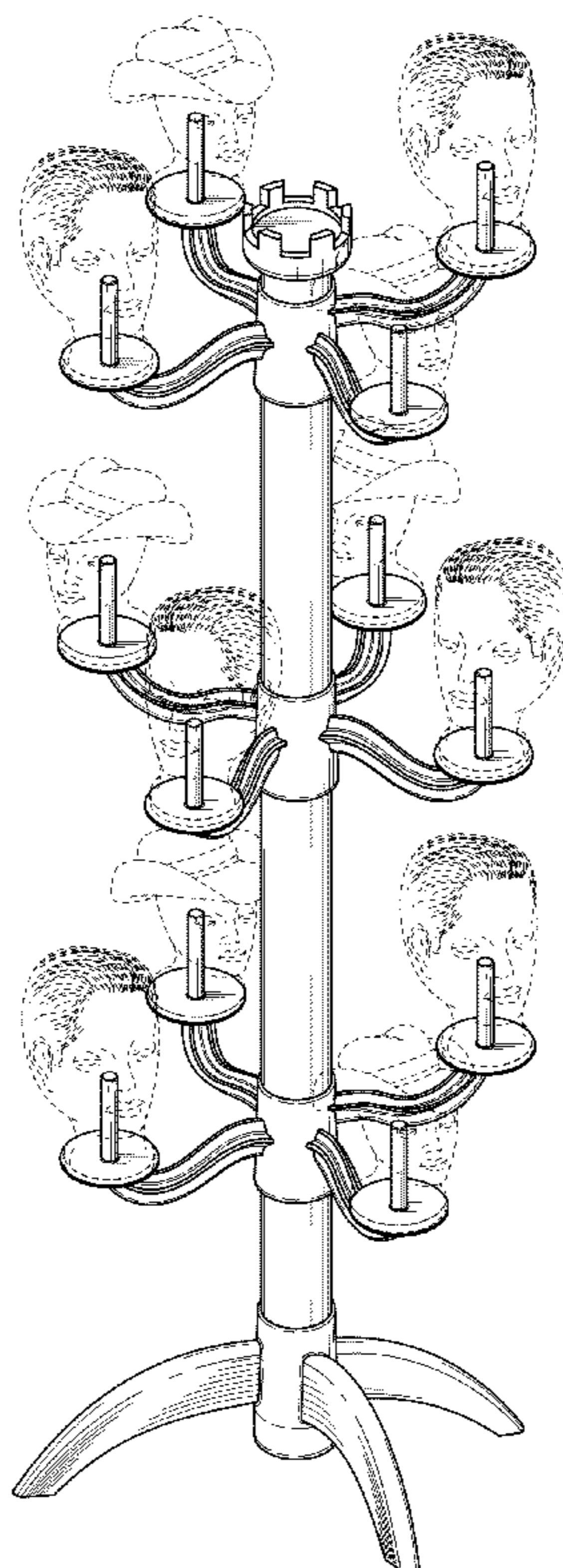
I claim the ornamental design for a wig and hat display stand, as shown and described.

**DESCRIPTION**

FIG. 1 is a perspective view of a wig and hat display stand, showing my new design;  
FIG. 2 is a front elevational view thereof;  
FIG. 3 is a rear elevational view thereof;  
FIG. 4 is a right-side elevational view thereof;  
FIG. 5 is a left-side elevational view thereof;  
FIG. 6 is a top plan view thereof; and,  
FIG. 7 is a bottom plan view thereof.

The broken lines showing mannequin heads with hats and wigs in FIG. 1 depict environmental matter and form no part of the claimed design.

**1 Claim, 6 Drawing Sheets**



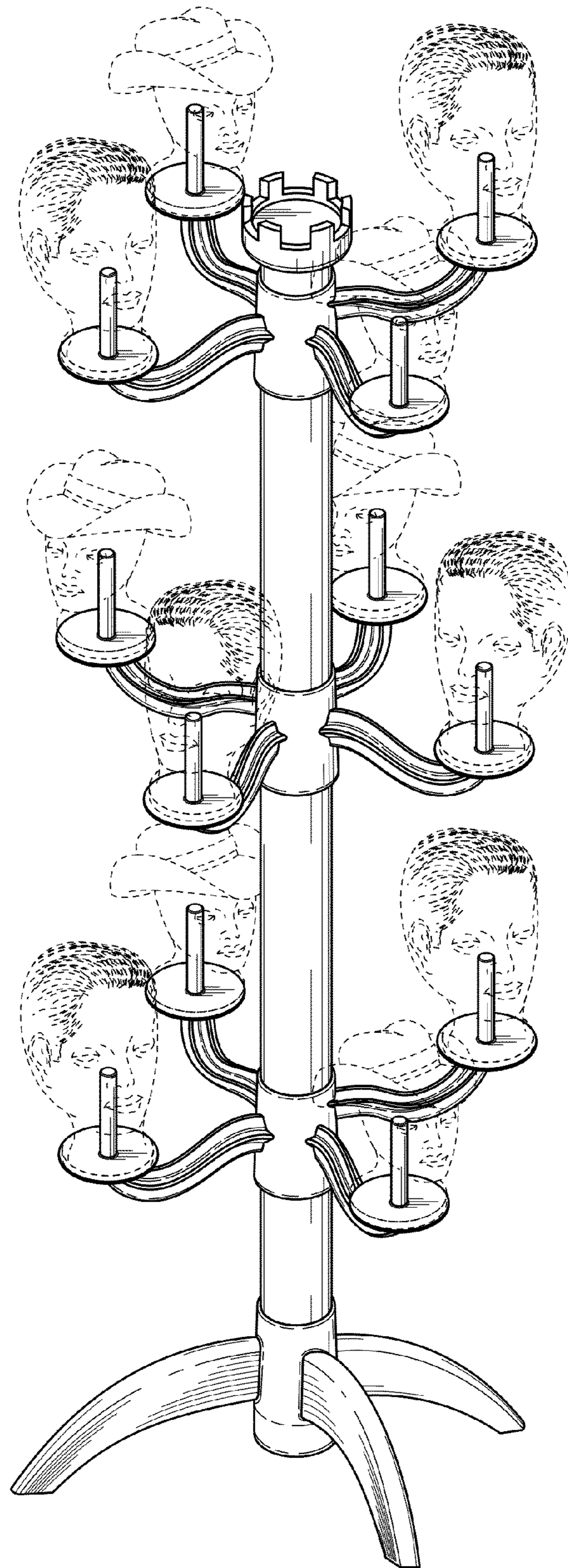


FIG. 1

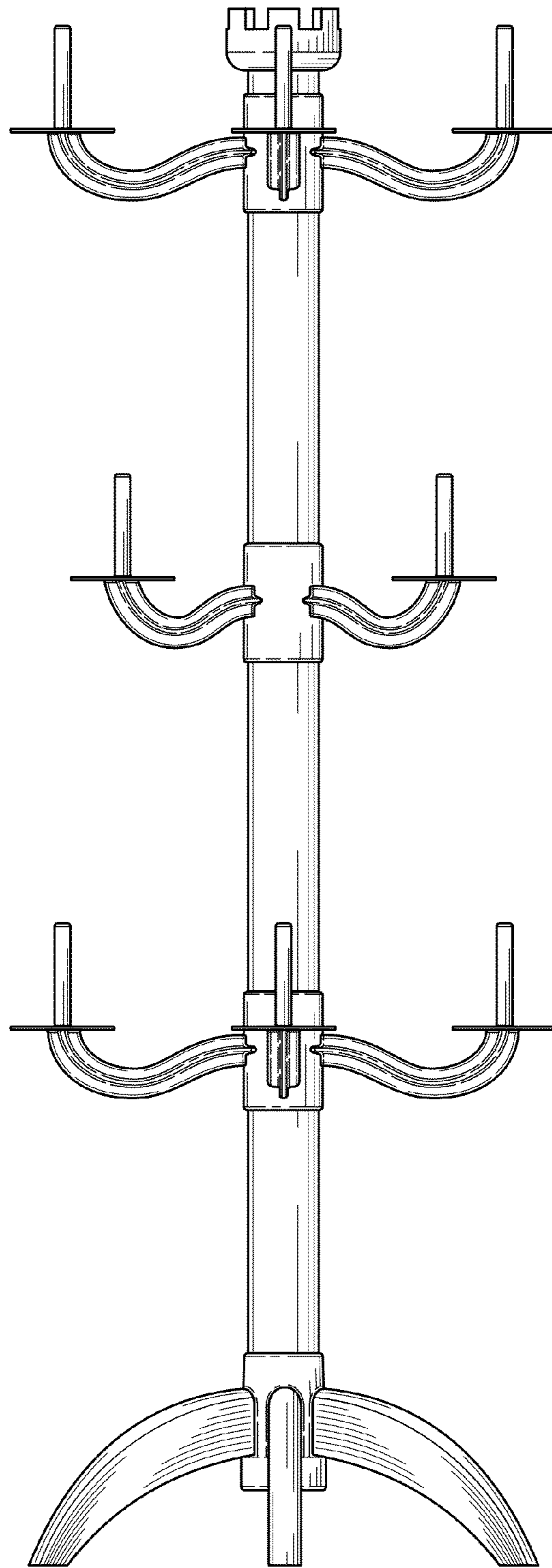


FIG. 2

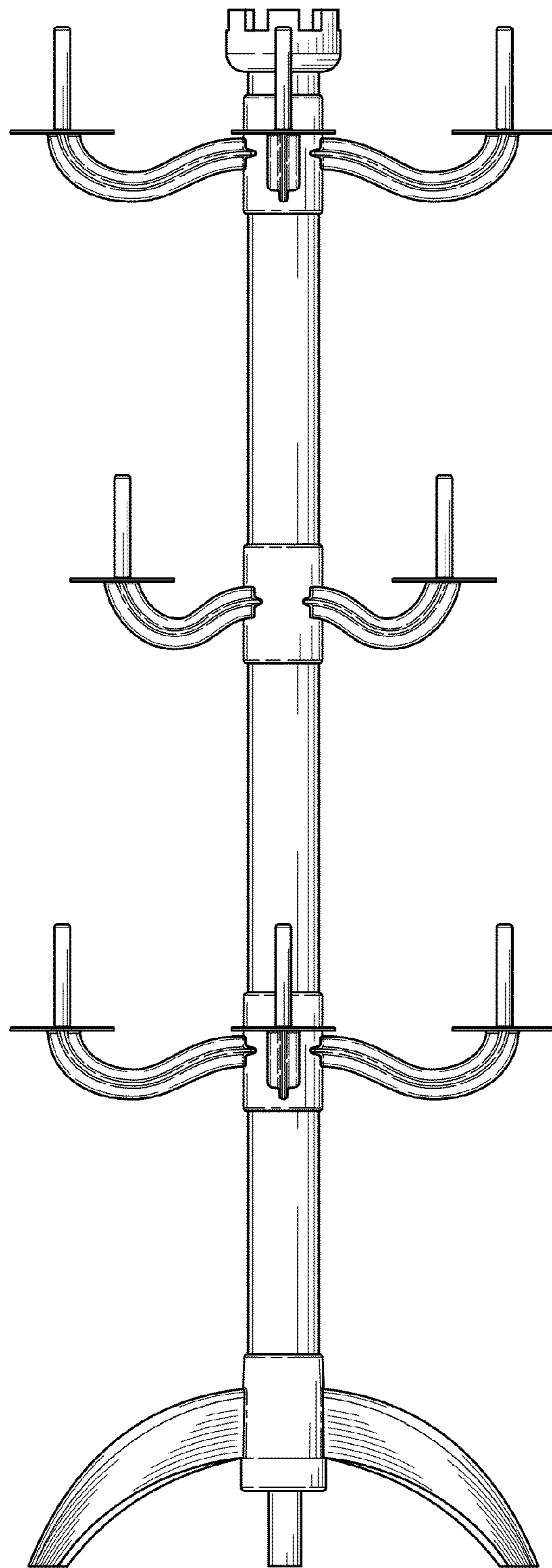


FIG. 3

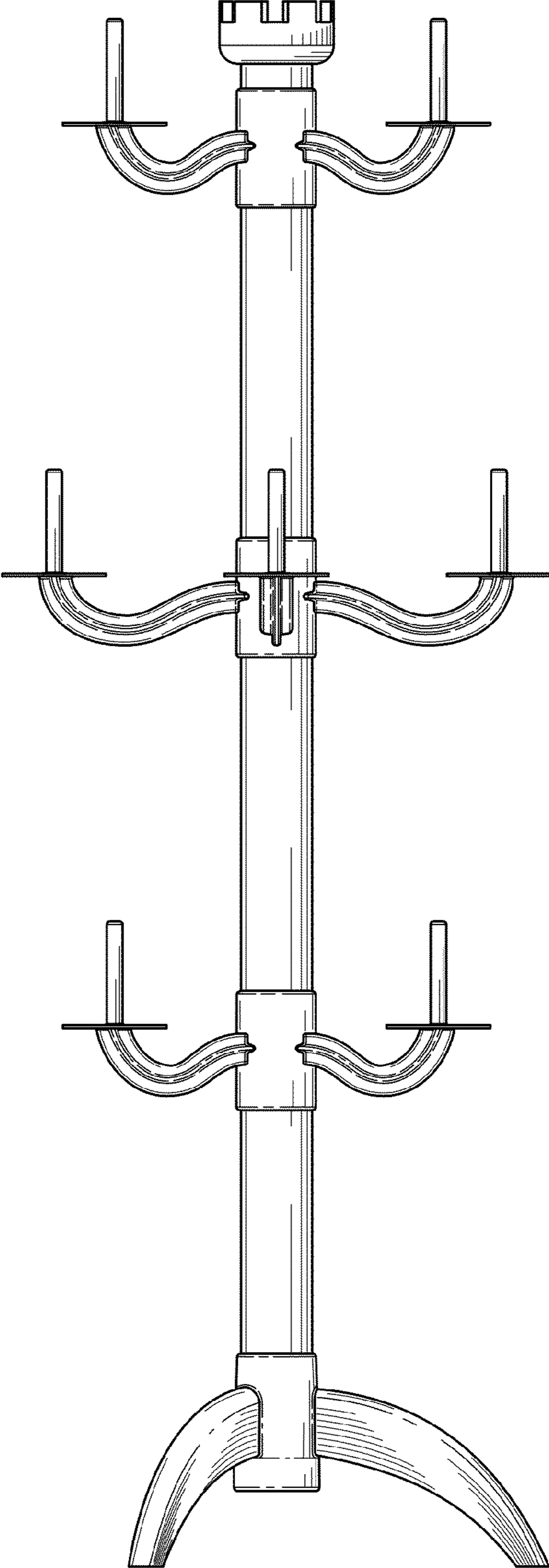


FIG. 4

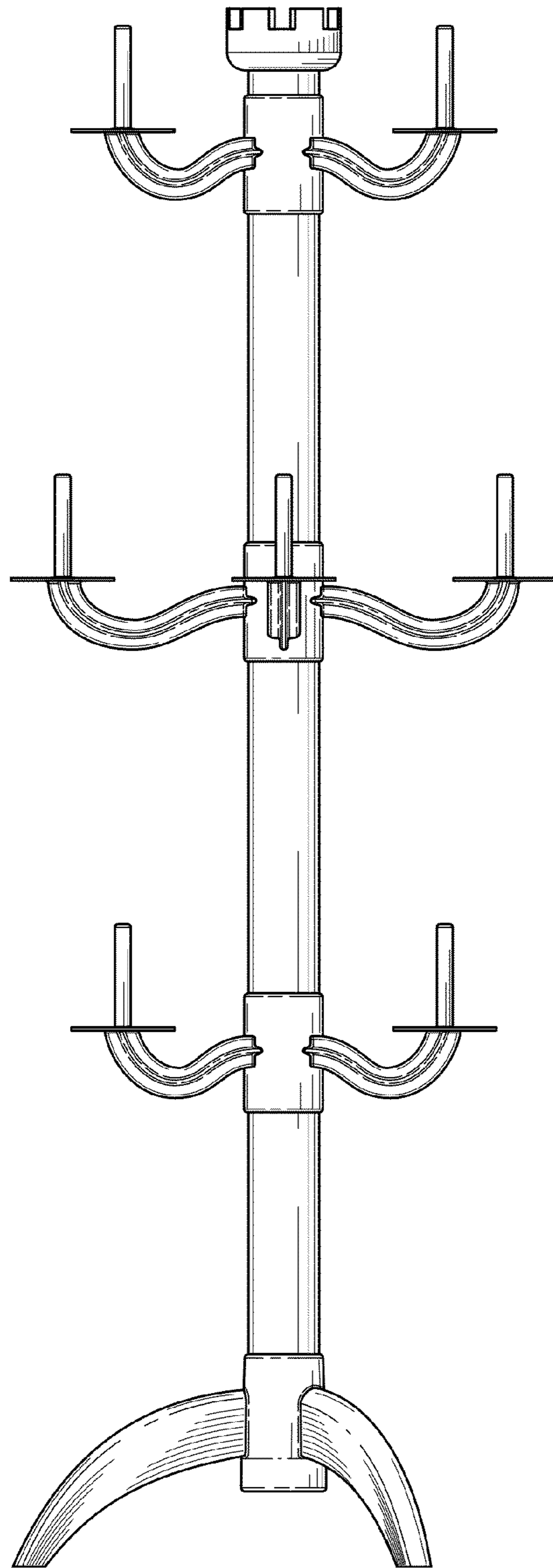


FIG. 5

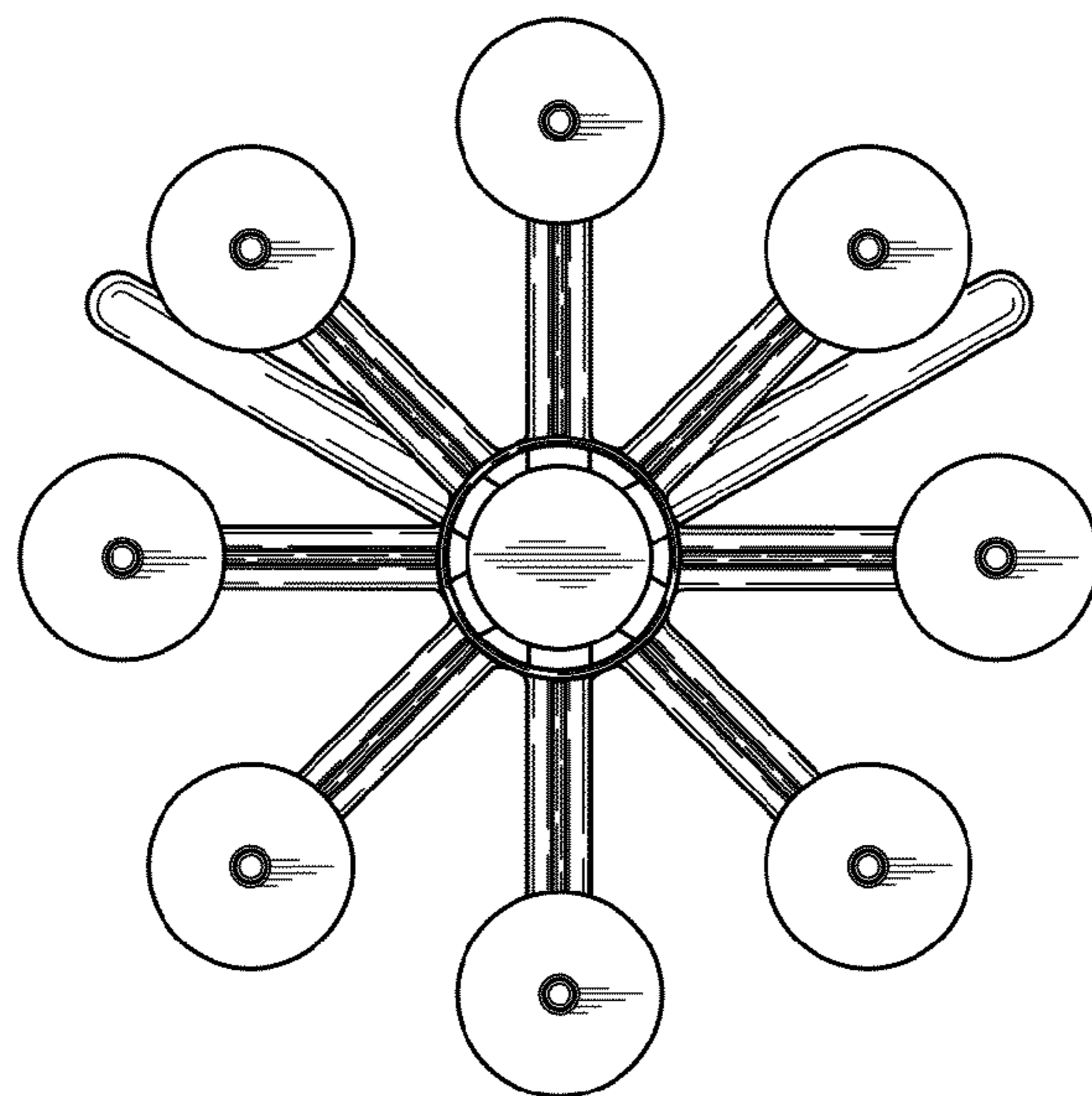


FIG. 6

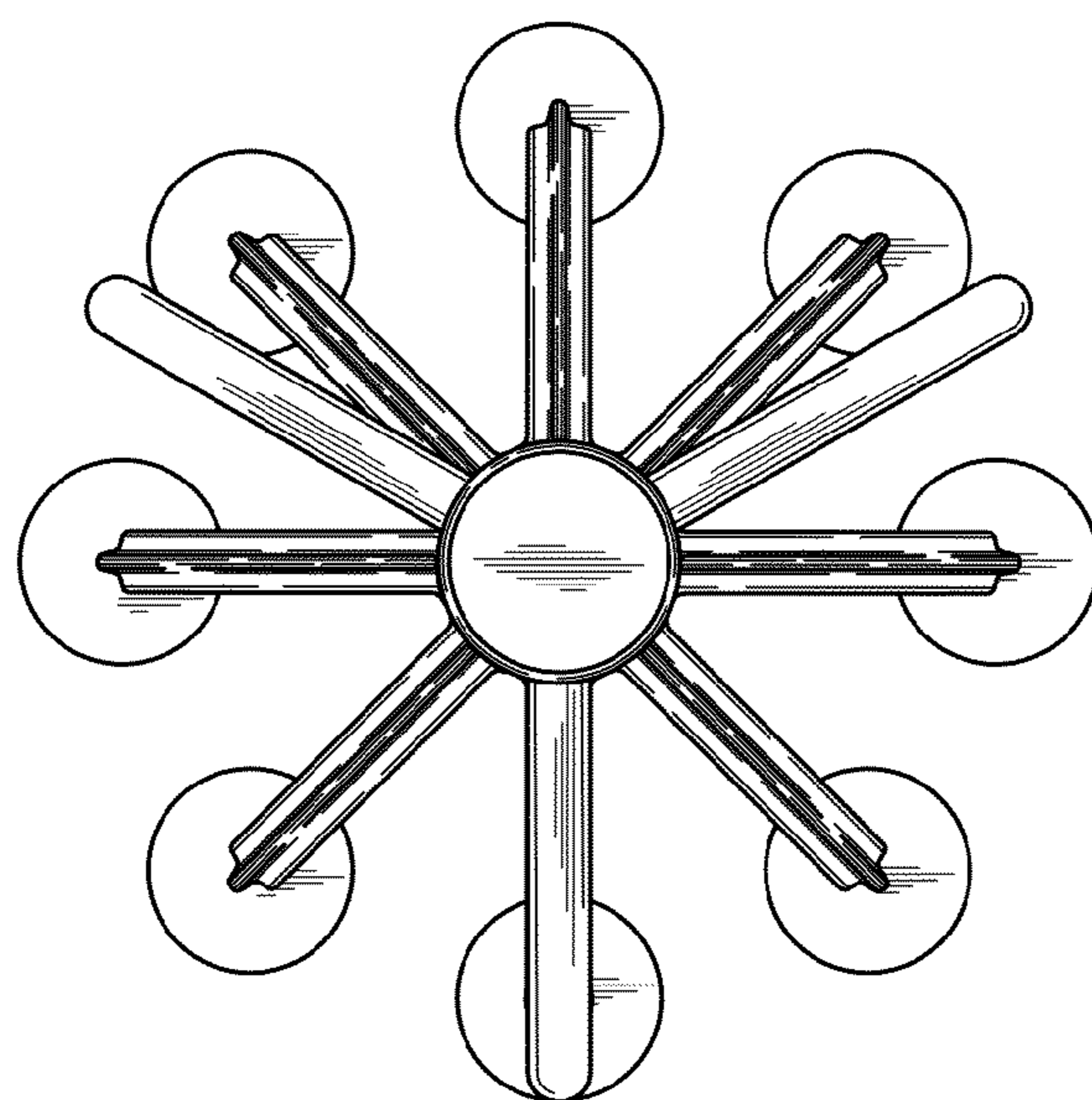


FIG. 7