



US00D719767S

(12) **United States Design Patent**  
**Schärer et al.**

(10) **Patent No.:** **US D719,767 S**

(45) **Date of Patent:** **\*\* Dec. 23, 2014**

(54) **TABLE/DESK**

(71) Applicant: **USM Holding AG**, Muri bei Bern (CH)

(72) Inventors: **Alexander Schärer**, Bern (CH);  
**Memduh Ali Tayar**, New York, NY  
(US); **Thomas Dienes**, Bern (CH)

(73) Assignee: **USM Holding AG**, Muri bei Bern (CH)

(\*\*) Term: **14 Years**

(21) Appl. No.: **29/495,367**

(22) Filed: **Jun. 30, 2014**

**Related U.S. Application Data**

(63) Continuation of application No. 29/424,572, filed on  
Jun. 13, 2012, now Pat. No. Des. 710,133.

(30) **Foreign Application Priority Data**

Dec. 13, 2011 (WO) ..... 641819101

(51) **LOC (10) Cl.** ..... **06-03**

(52) **U.S. Cl.**  
USPC ..... **D6/656.17**

(58) **Field of Classification Search**

USPC ..... D6/641, 642, 656, 656.16, 691, 691.8,  
D6/691.9, 691.5, 656.17; 108/151, 153.1,  
108/155, 156, 157.1, 158.12, 161, 50.01,  
108/50.02; 248/188, 188.1

See application file for complete search history.

(56) **References Cited**

**U.S. PATENT DOCUMENTS**

D284,532 S 7/1986 Vogt  
D299,798 S 2/1989 Sottsas et al.

(Continued)

**OTHER PUBLICATIONS**

USM Modular Furniture, USM Haller Table, [http://www.usm.com/pdf/produkte/usm\\_haller\\_tisch/masse/masse\\_details\\_123\\_usa.pdf](http://www.usm.com/pdf/produkte/usm_haller_tisch/masse/masse_details_123_usa.pdf), available at least as early as Jun. 13, 2011.

(Continued)

*Primary Examiner* — Janice Seeger

(74) *Attorney, Agent, or Firm* — Saidman DesignLaw Group, LLC

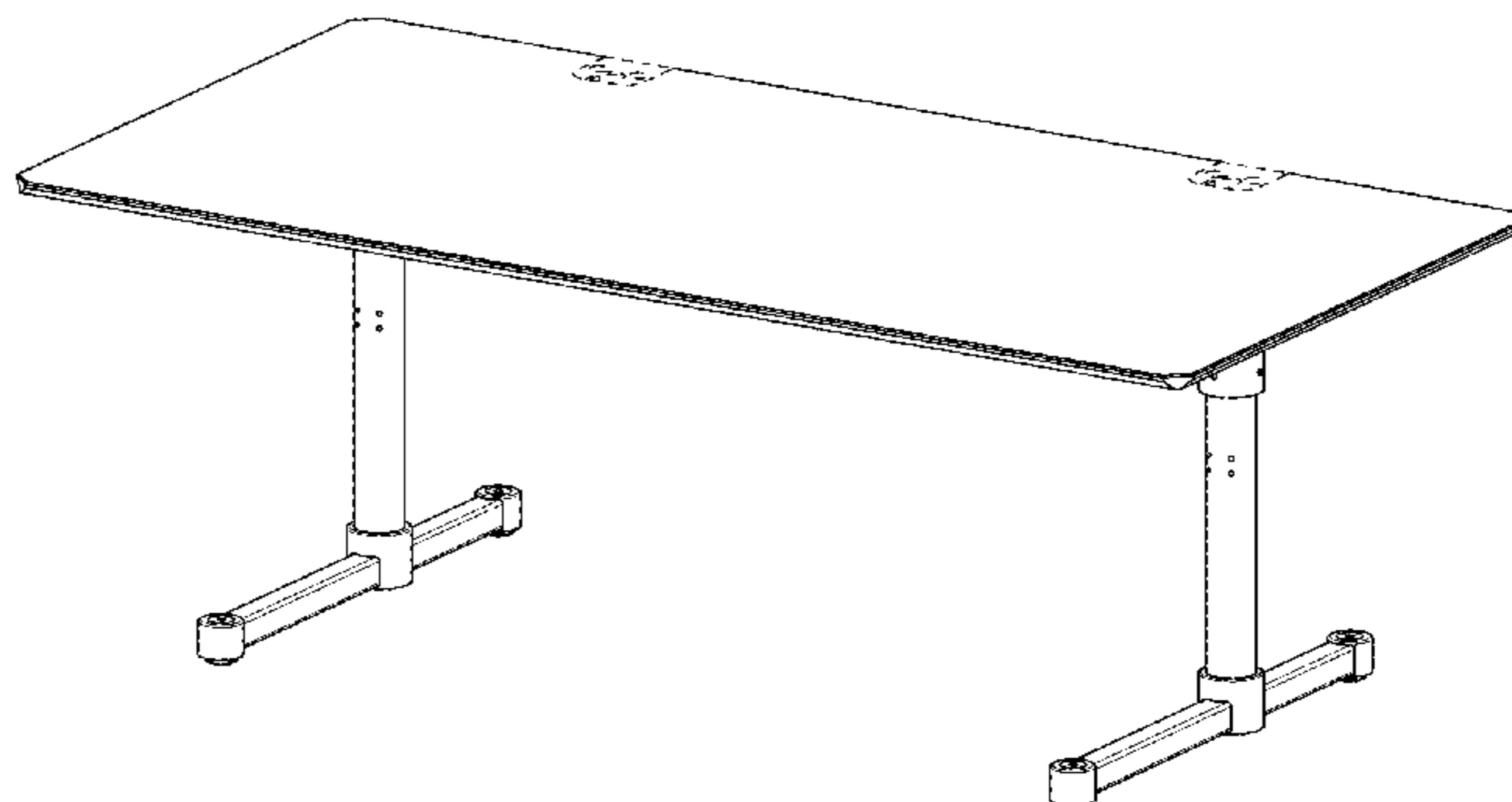
(57) **CLAIM**

The ornamental design for a table/desk, as shown and described.

**DESCRIPTION**

FIG. 1 is a front perspective view of our new design, showing the table/desk at a first height;  
FIG. 2 is a partial perspective view thereof;  
FIG. 3 is a rear perspective view thereof;  
FIG. 4 is a front view thereof;  
FIG. 5 is a rear view thereof;  
FIG. 6 is a left side view, the right side view being a mirror image thereof;  
FIG. 7 is a top view thereof;  
FIG. 8 is a partial, enlarged top view thereof;  
FIG. 9 is a front perspective view thereof, showing the top at a second height;  
FIG. 10 is another front perspective view thereof;  
FIG. 11 is a front perspective view thereof, showing the top extended forward;  
FIG. 12 is a front perspective view thereof, showing the top in a vertical position;  
FIG. 13 is a front perspective view of a second embodiment thereof, showing the top of the first embodiment at a second height;  
FIG. 14 is a front view of thereof;  
FIG. 15 is a rear view of thereof;  
FIG. 16 is a left side view, the right side view being a mirror image thereof;  
FIG. 17 is a top view of thereof;  
FIG. 18 is a partial, enlarged top view thereof;  
FIG. 19 is a front perspective view of a third embodiment thereof, showing the top of the first embodiment at a third height;  
FIG. 20 is a front view thereof;  
FIG. 21 is a rear view thereof;  
FIG. 22 is a left side view, the right side view being a mirror image thereof;  
FIG. 23 is a top view thereof; and,  
FIG. 24 is a partial, enlarged top view thereof.  
The broken lines represent environmental structure that forms no part of the claimed design. The jagged lines represent boundaries of a partial view.  
The drawings include CAD lines that represent contour and not surface decoration.

**1 Claim, 21 Drawing Sheets**



(56)

**References Cited**

**OTHER PUBLICATIONS**

U.S. PATENT DOCUMENTS

D322,729	S	12/1991	Diffrient	
D325,833	S	5/1992	Saotome	
D336,393	S	6/1993	Saotome	
D573,812	S	7/2008	Saotome	
D644,855	S	9/2011	Saito	
D710,133	S	* 8/2014	Scharer et al.	..... D6/656.17
2004/0149177	A1	8/2004	Gayhart et al.	
2006/0081157	A1	4/2006	Gayhart et al.	

USM Modular Furniture, USM Kitos Table, [http://www.usm.com/pdf/produkte/usm\\_kitos/masse/masse\\_details\\_133\\_usa.pdf](http://www.usm.com/pdf/produkte/usm_kitos/masse/masse_details_133_usa.pdf), available at least as early as Jun. 13, 2011.

USM Modular Furniture, USM Kitos Table, available as early as Jun. 13, 2011.

\* cited by examiner

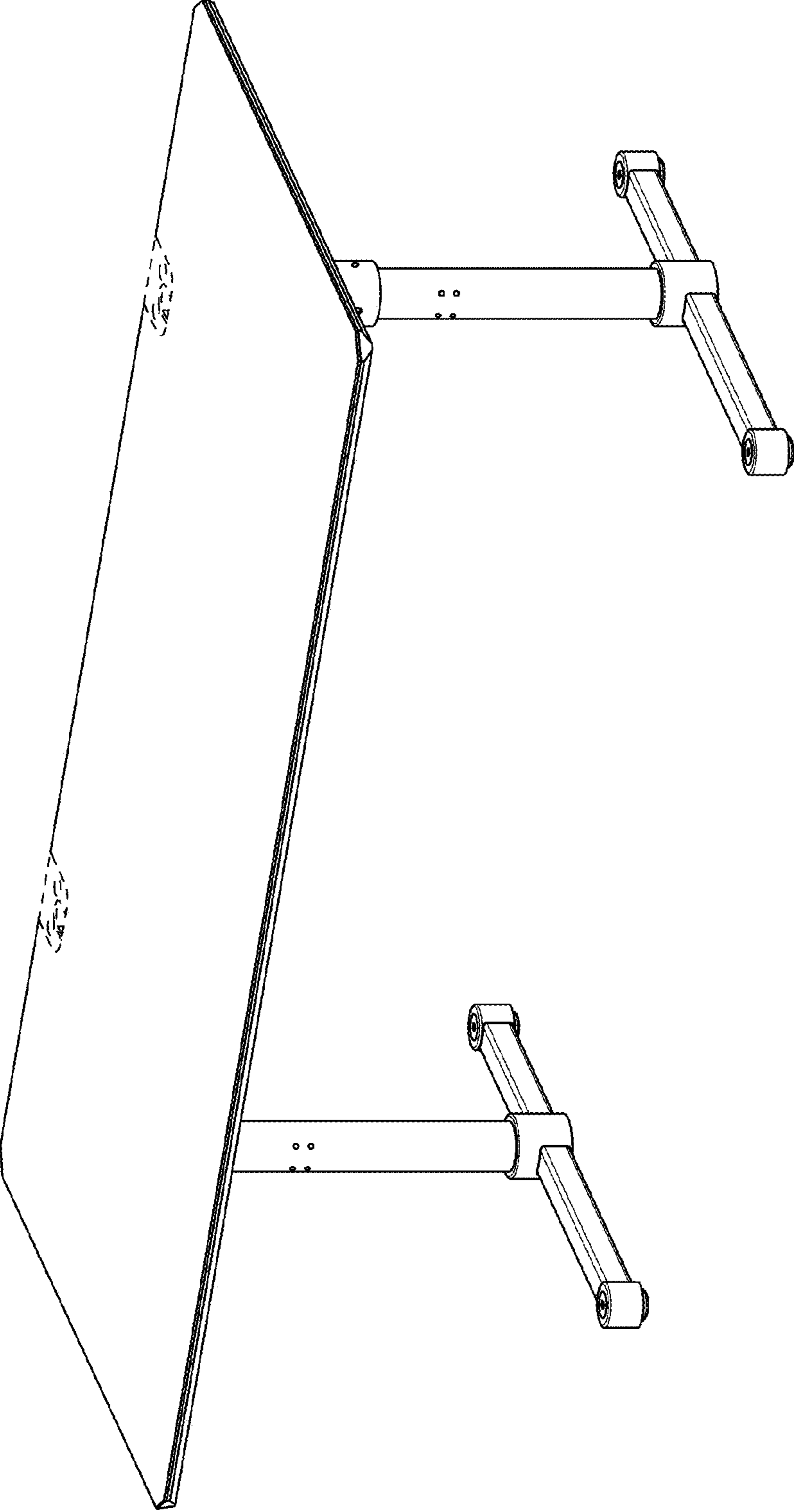


FIG. 1

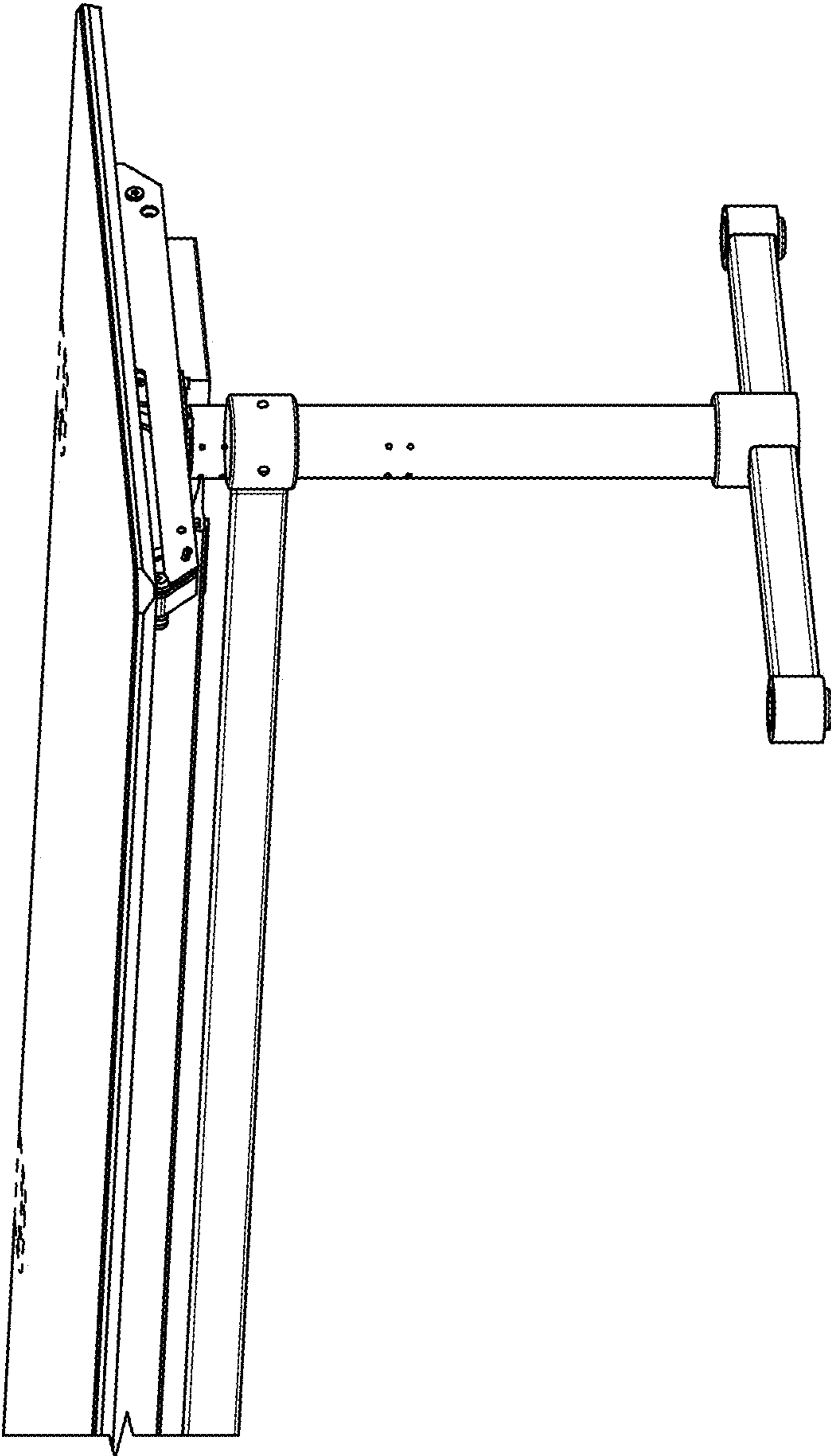


FIG. 2

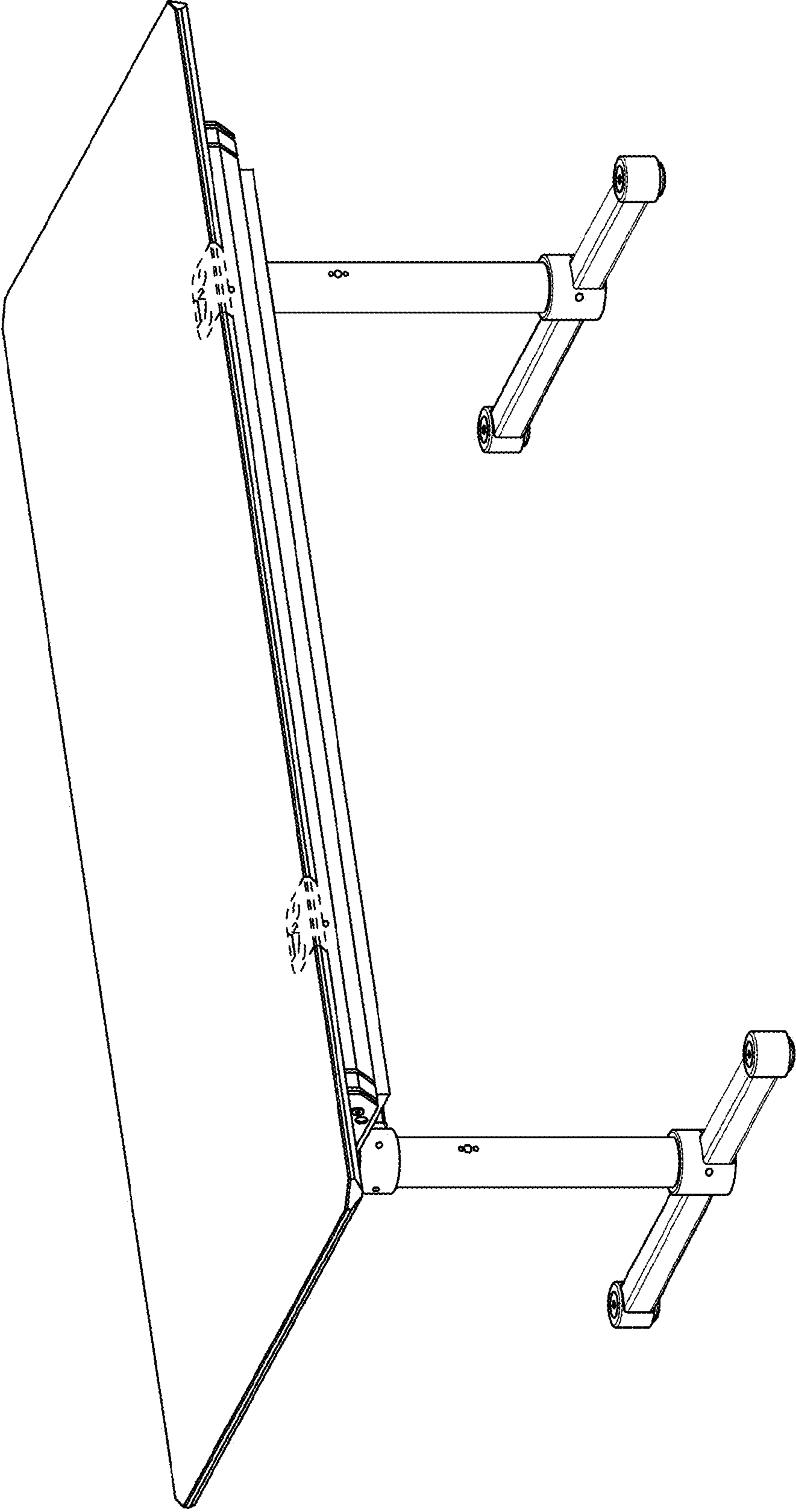


FIG. 3

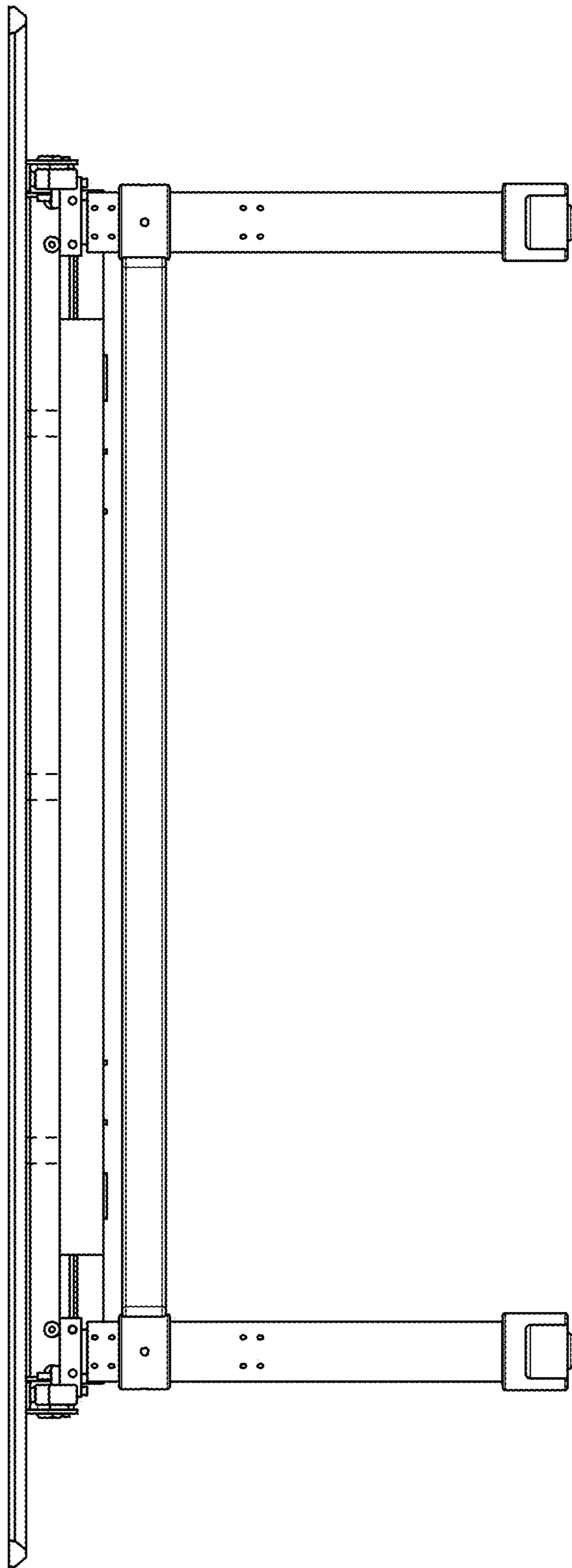


FIG. 4

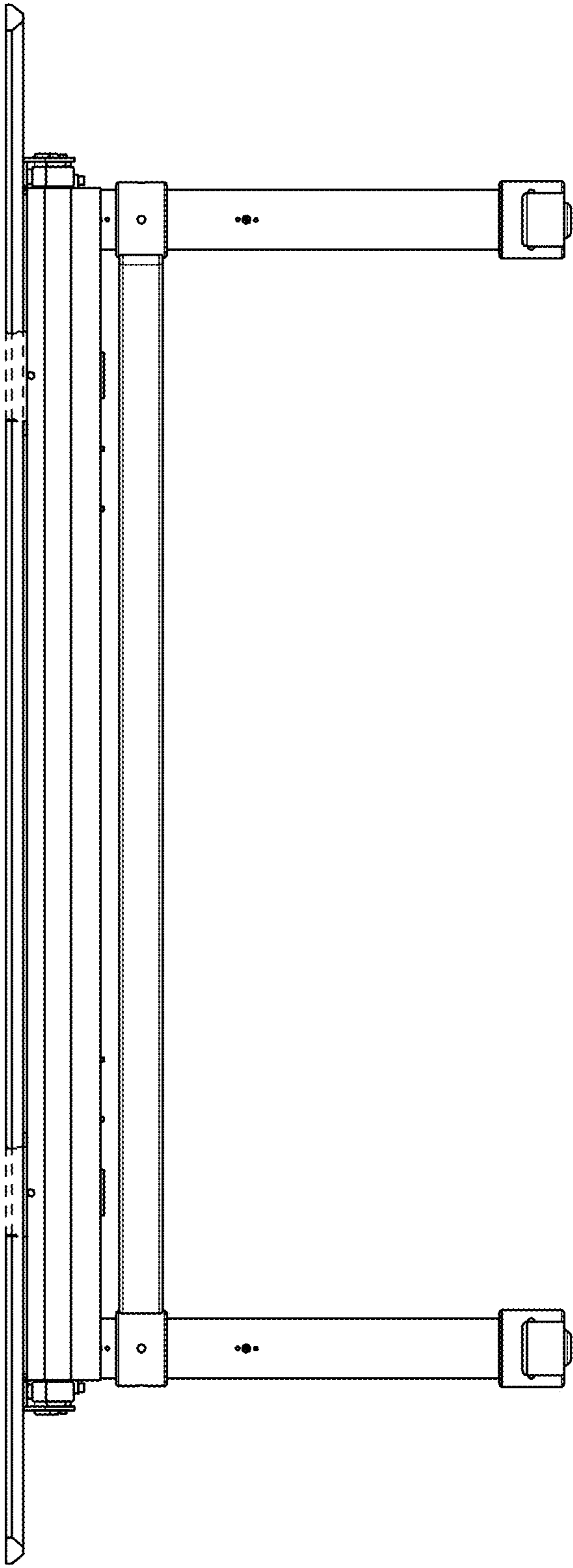


FIG. 5

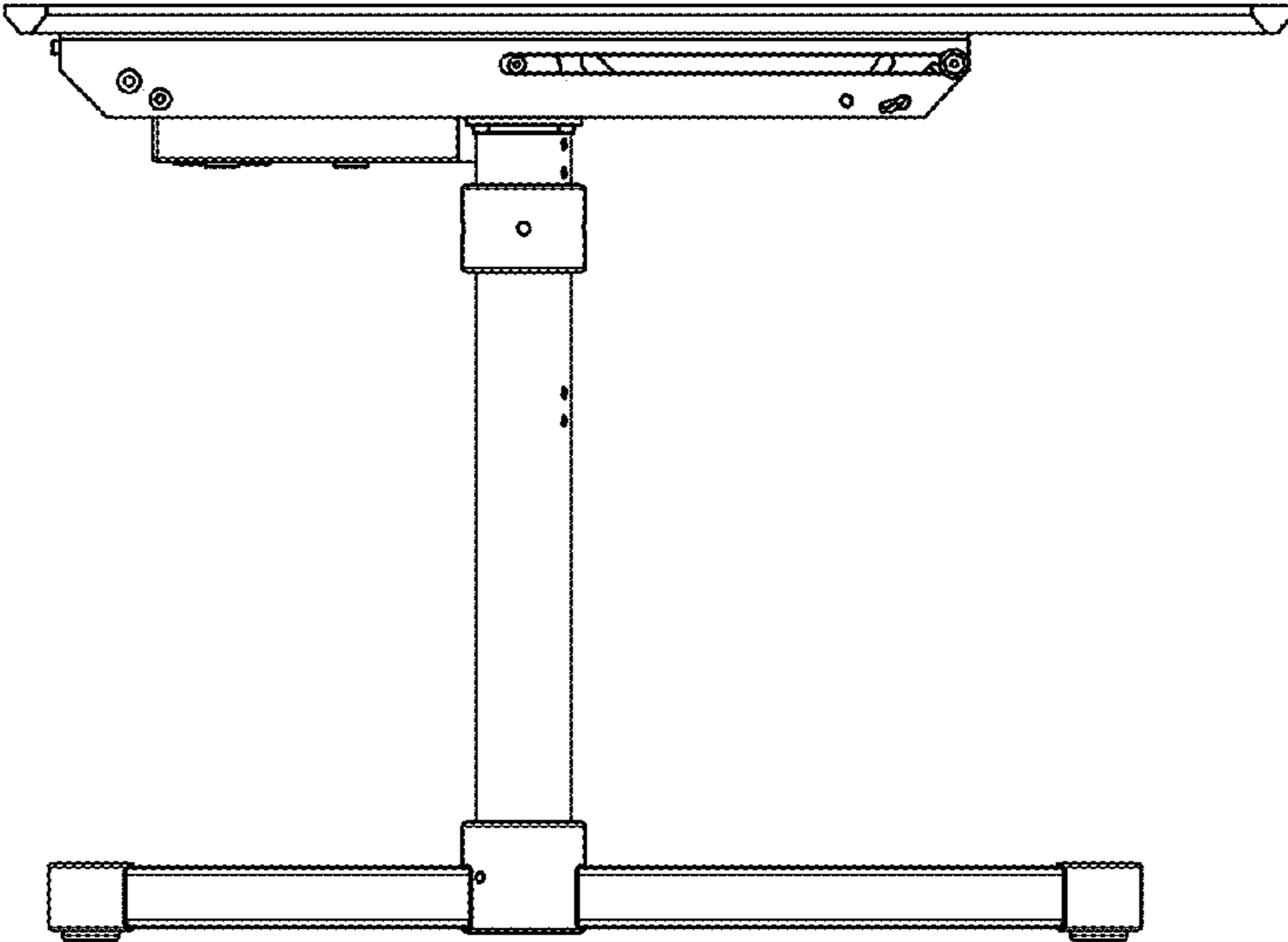


FIG. 6

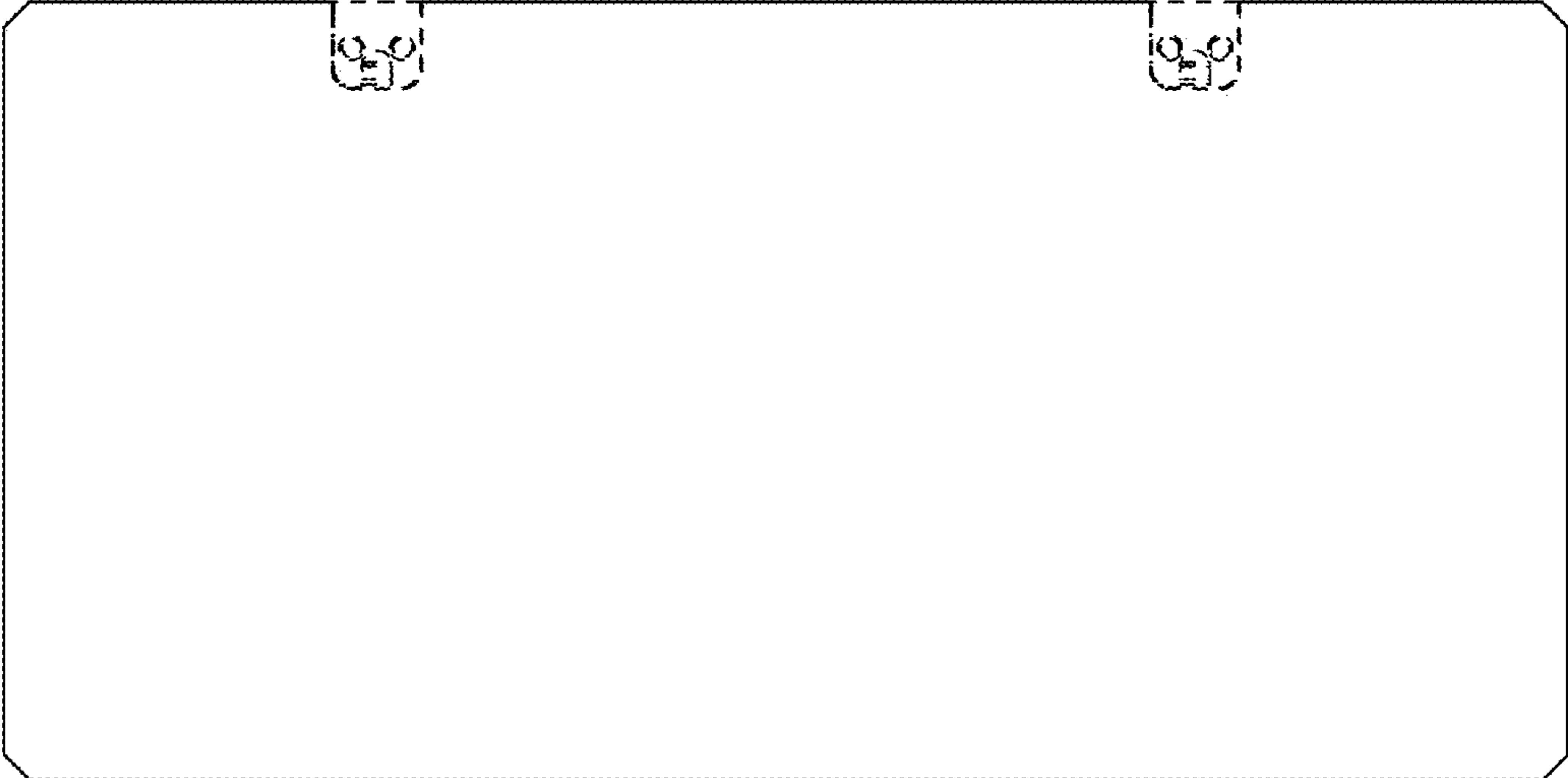


FIG. 7



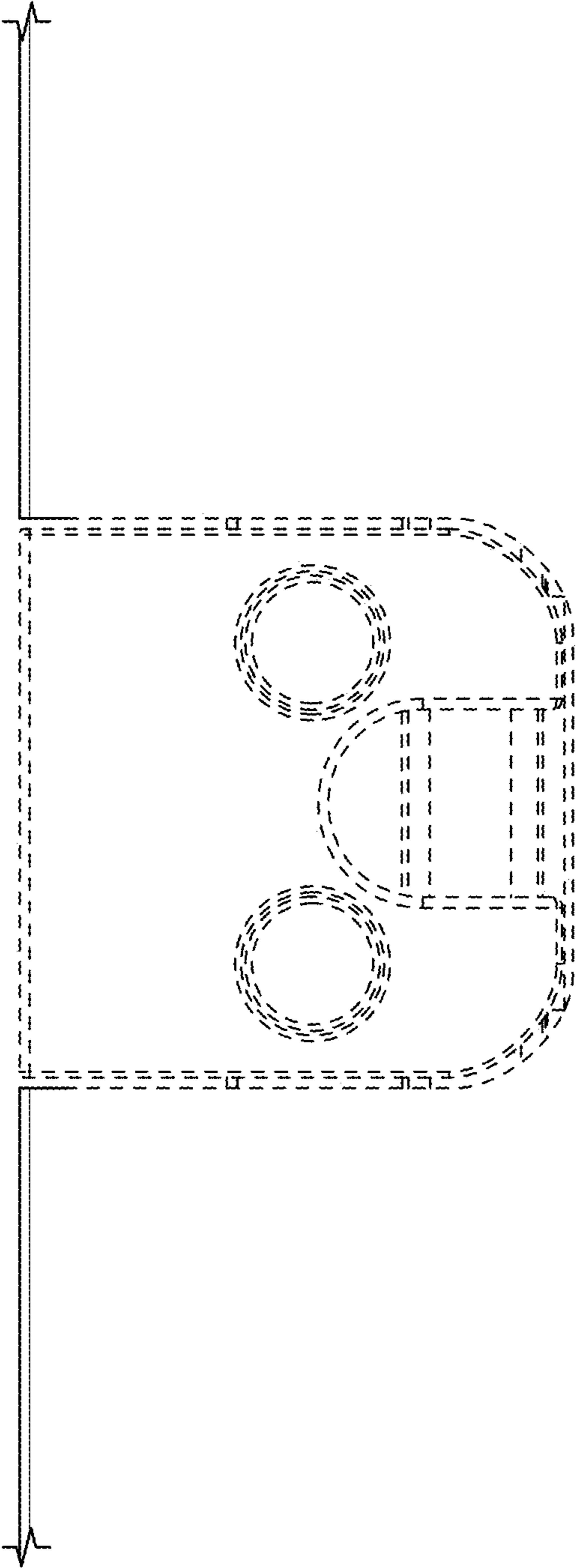


FIG. 8

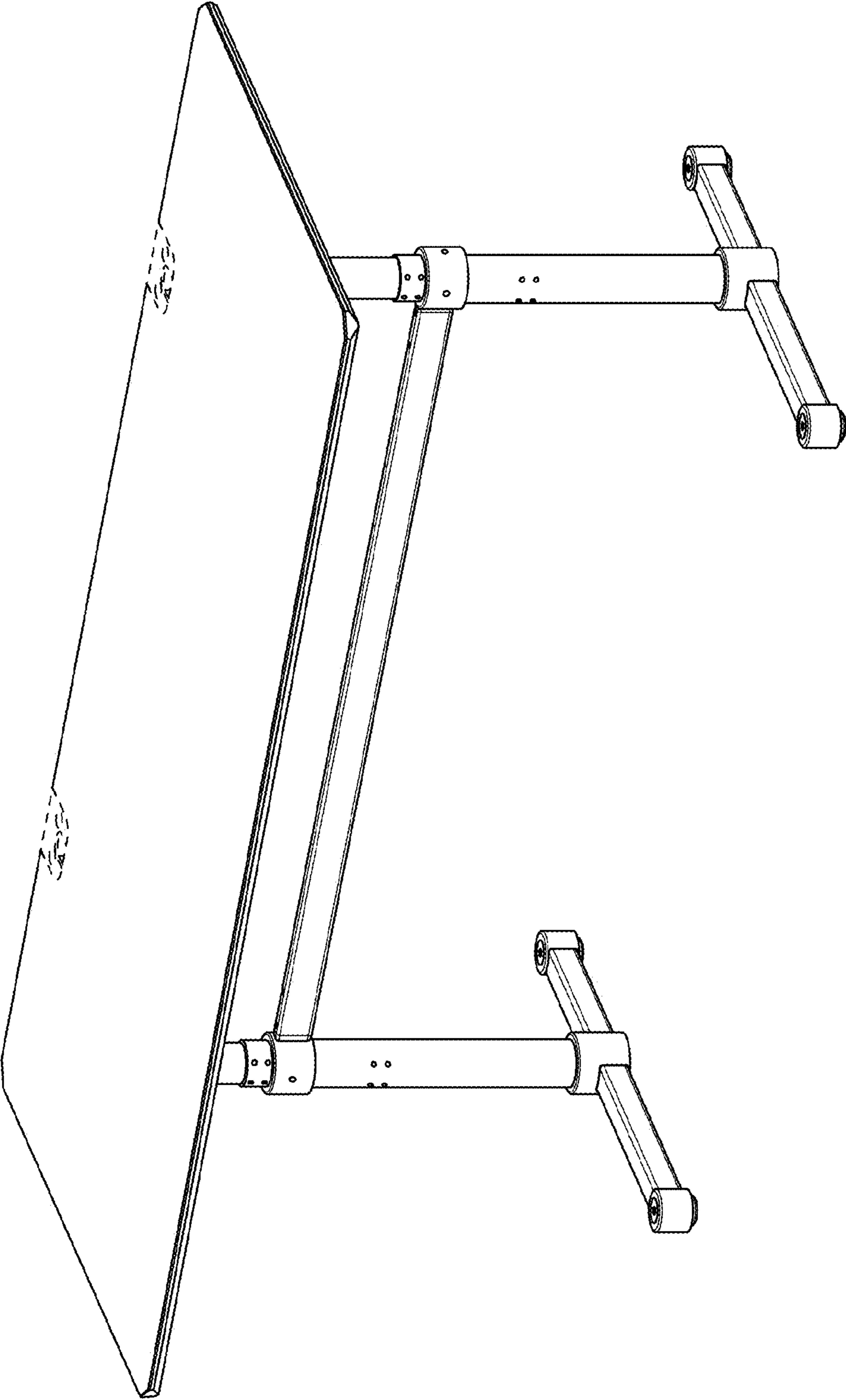


FIG. 9

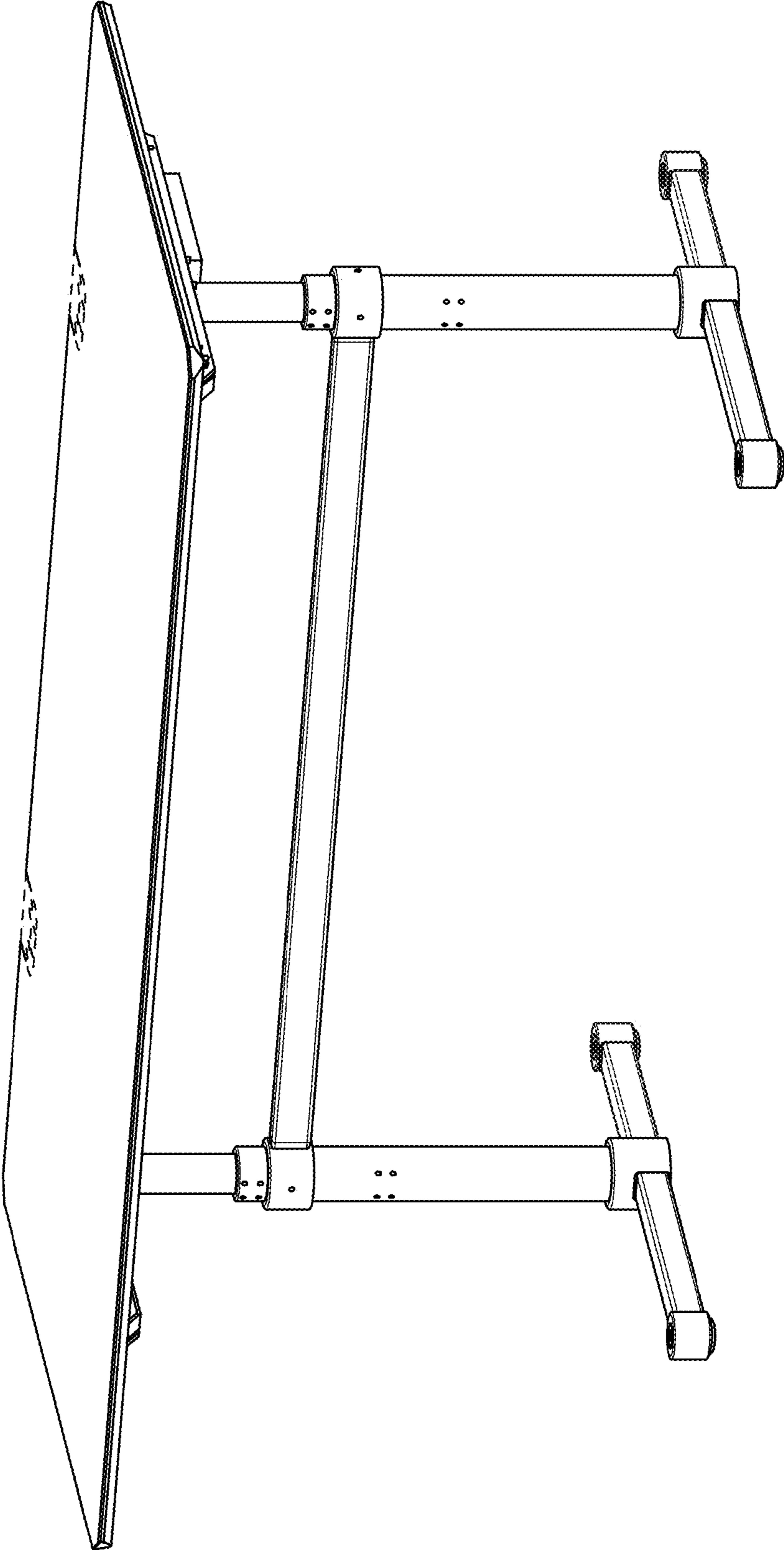


FIG. 10

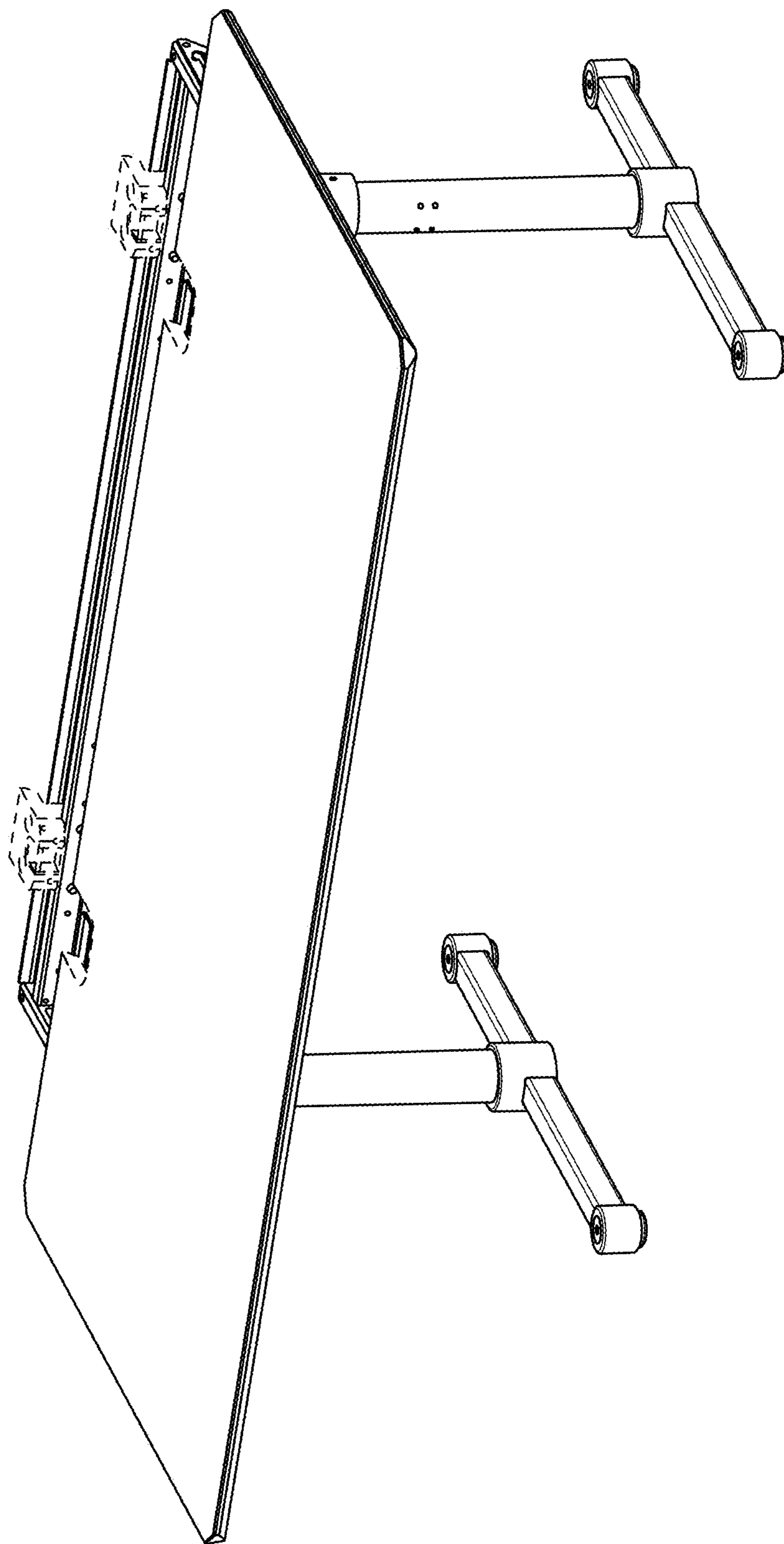


FIG. 11

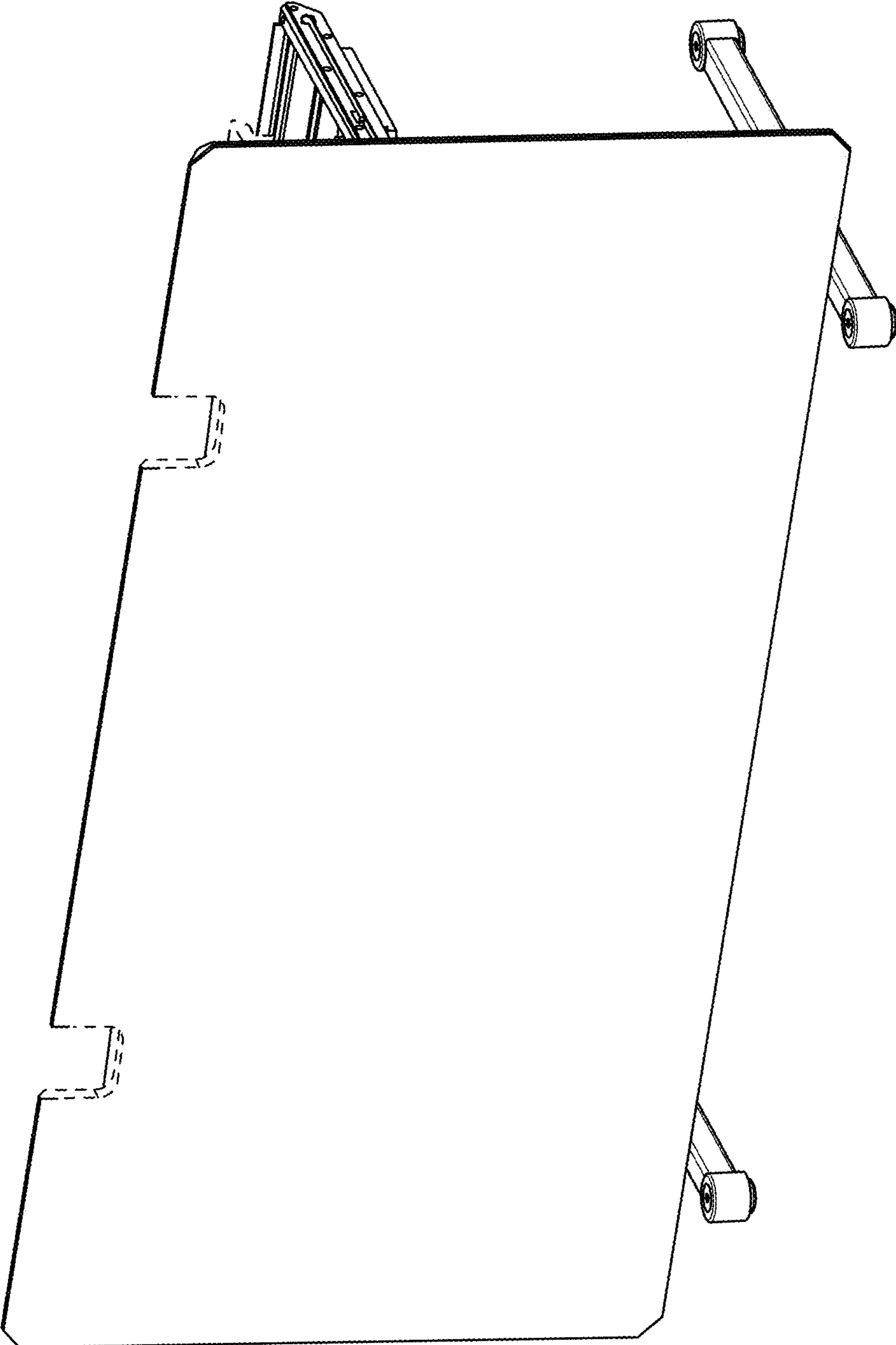


FIG. 12

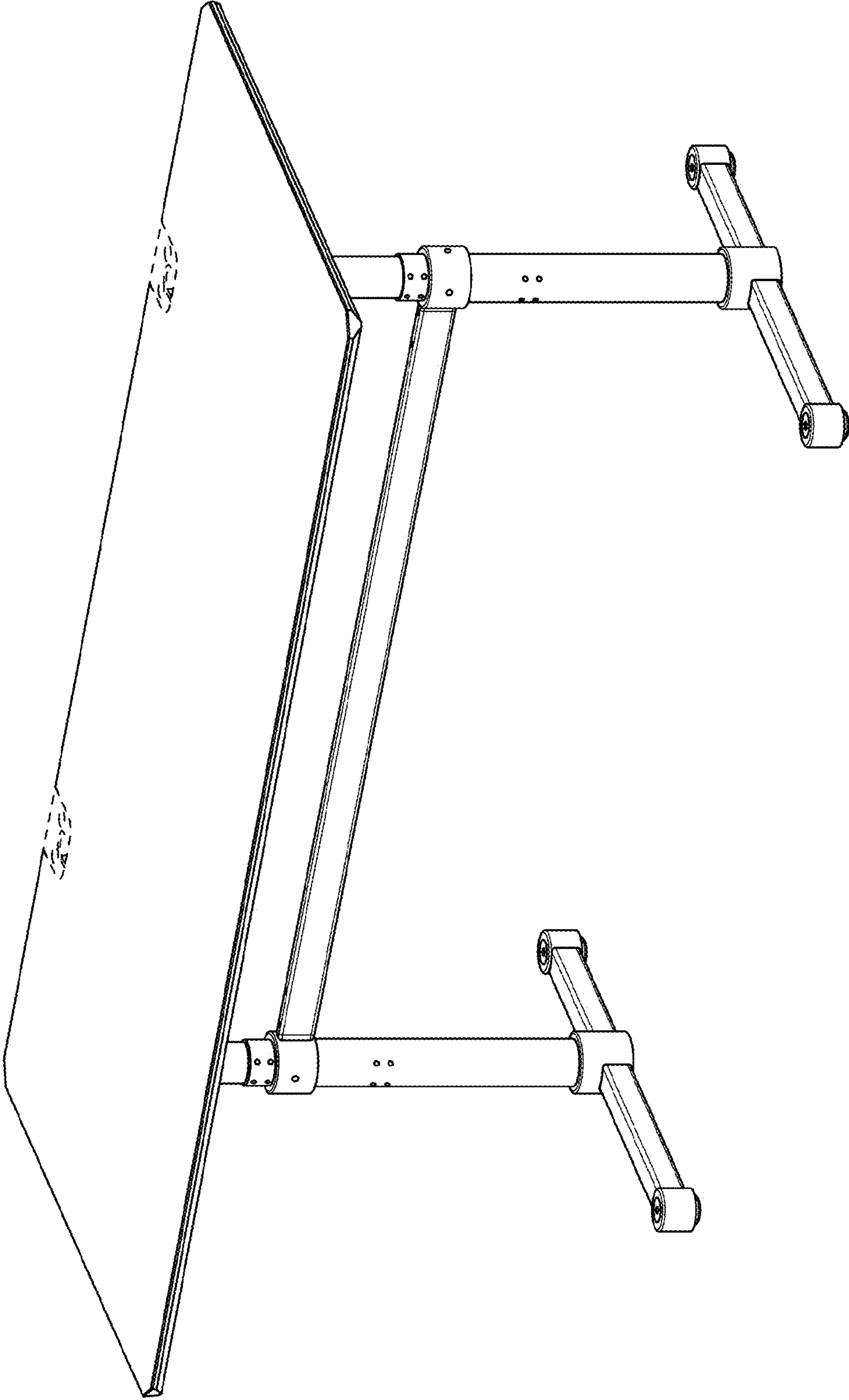


FIG. 13



FIG. 14

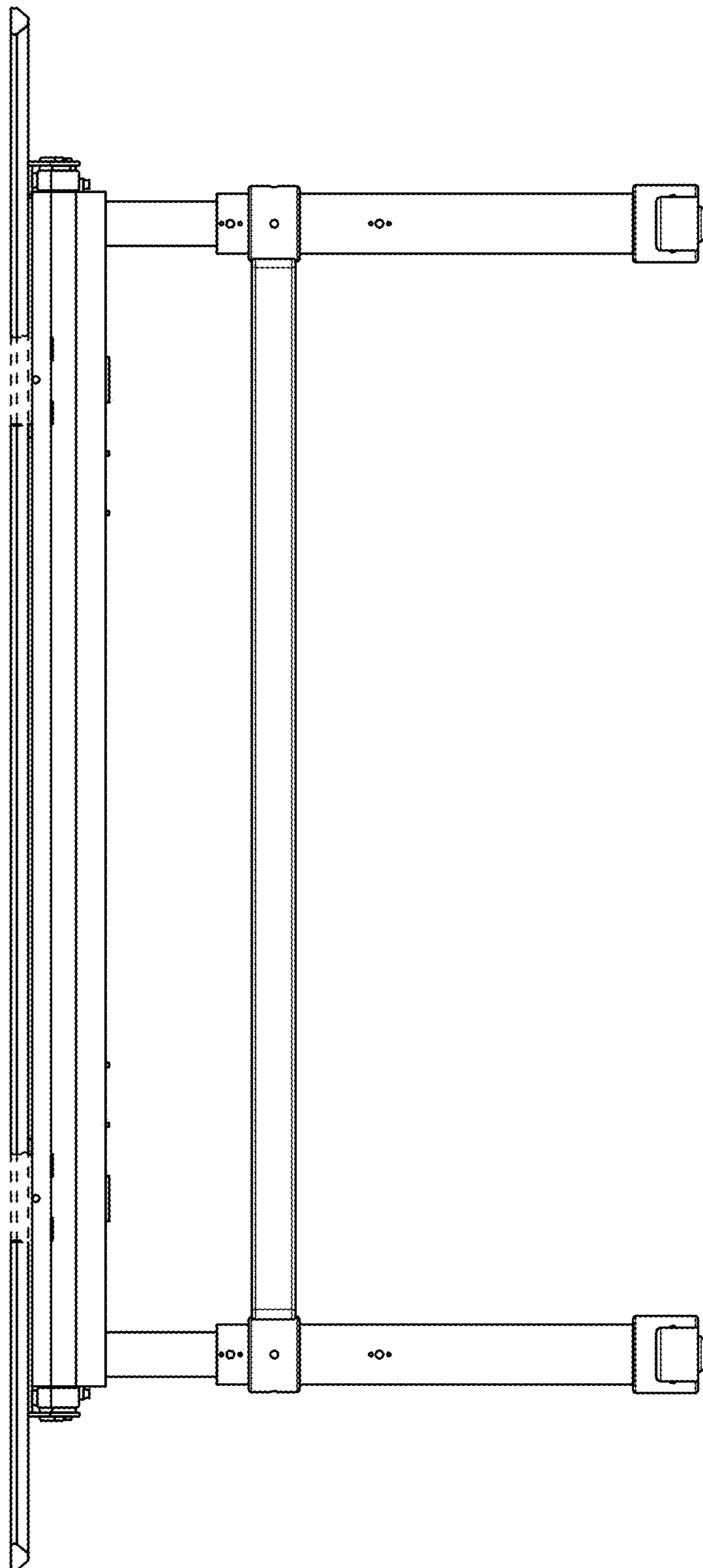


FIG. 15



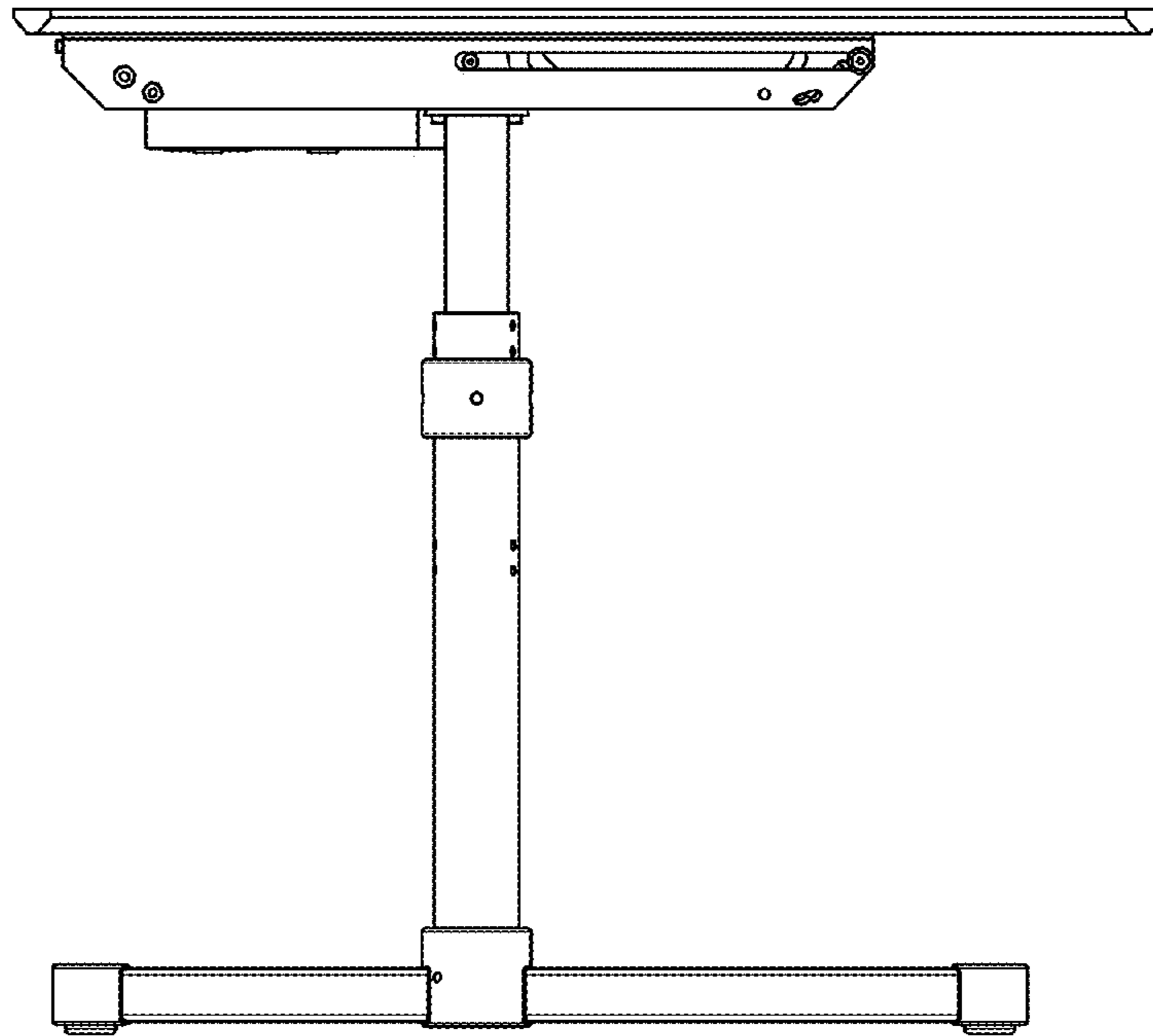


FIG. 16

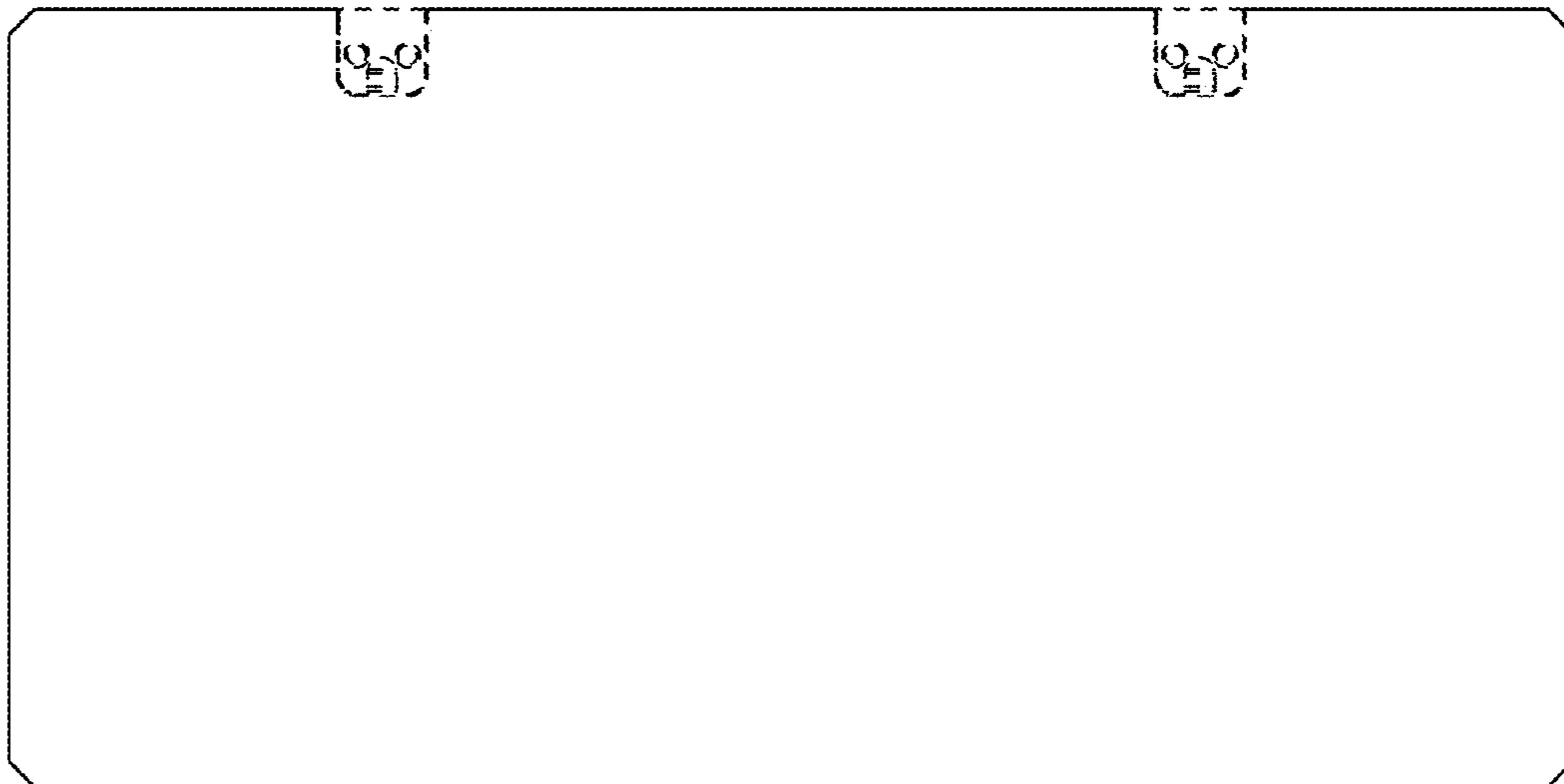


FIG. 17

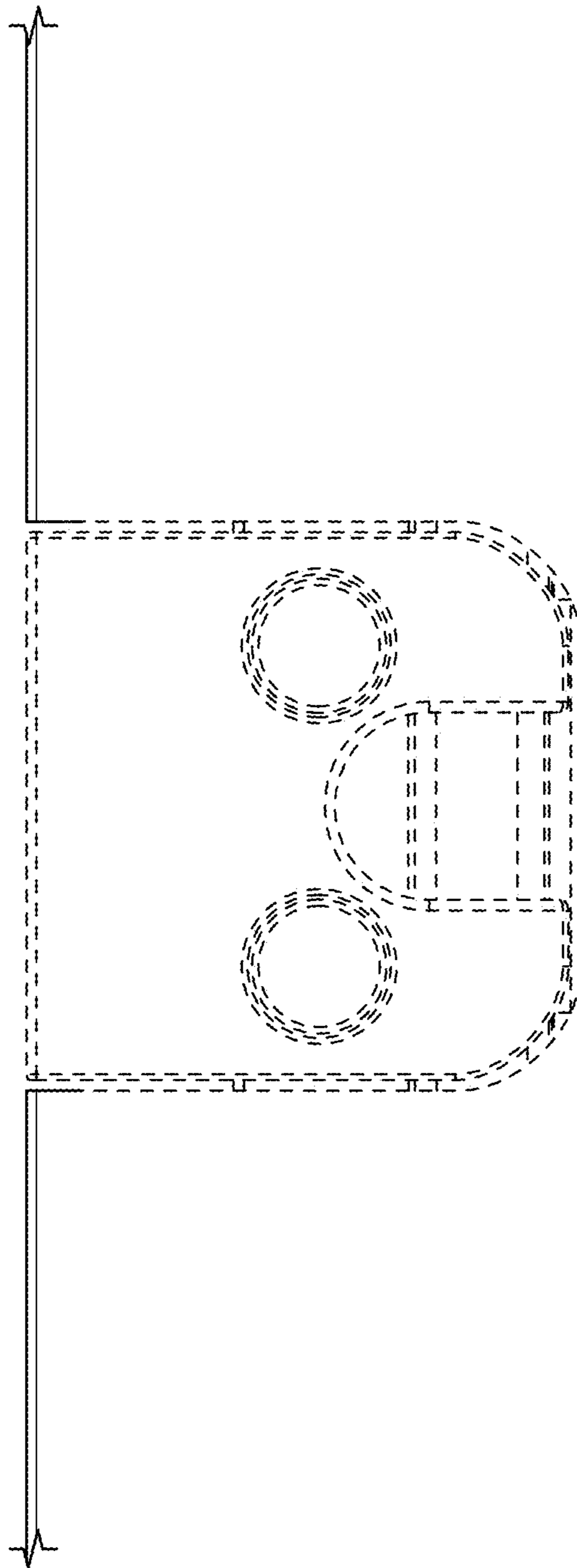


FIG. 18

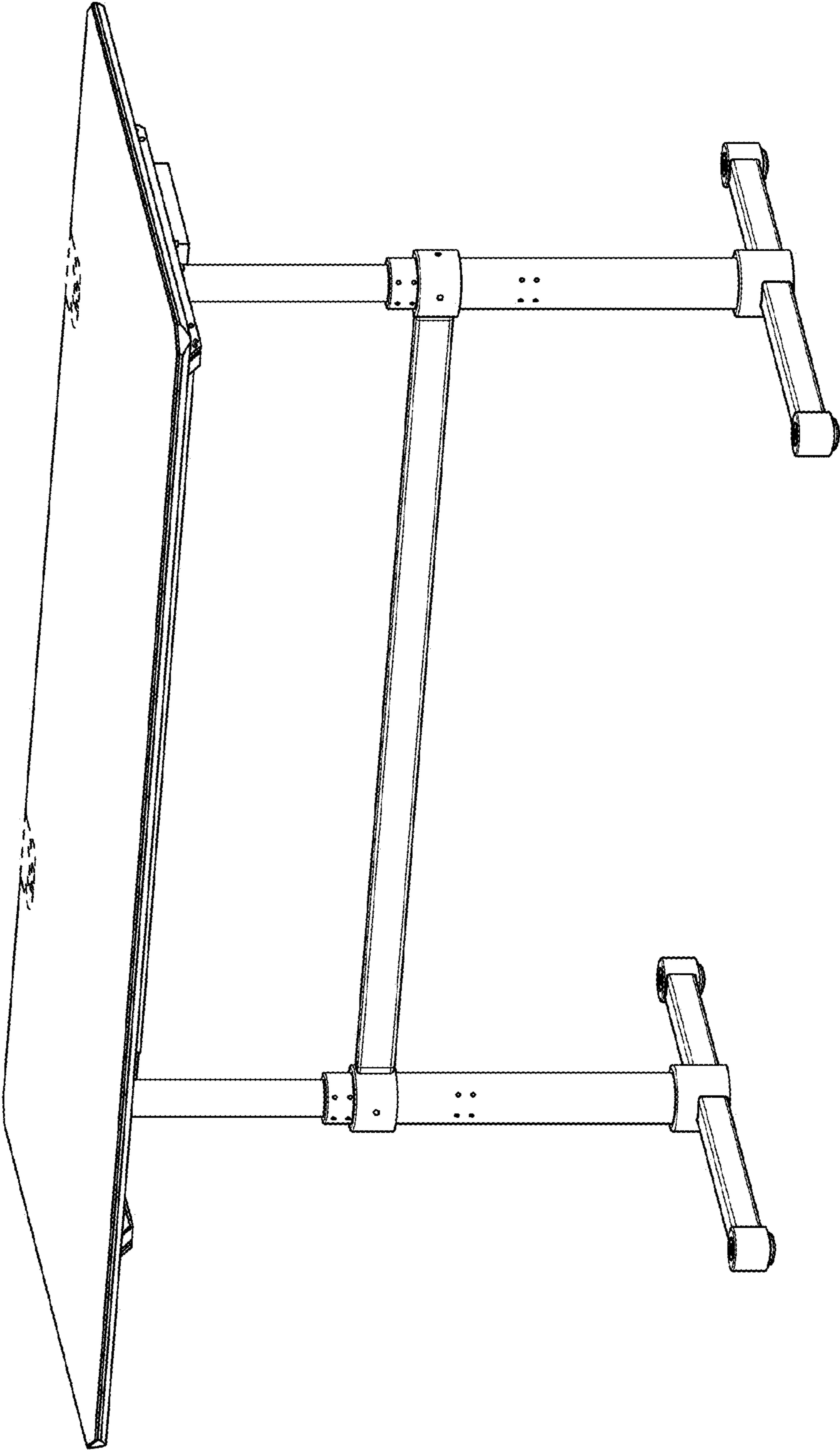


FIG. 19

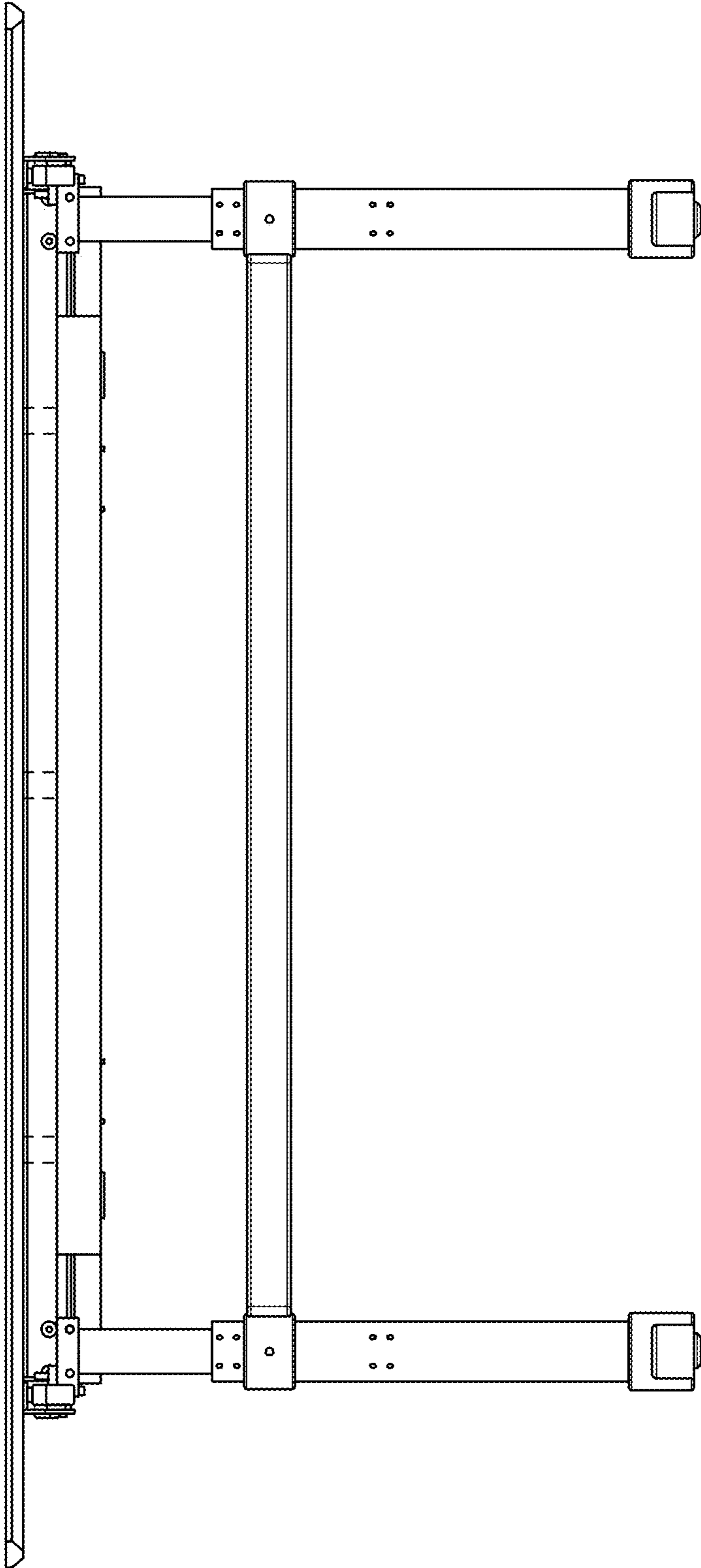


FIG. 20

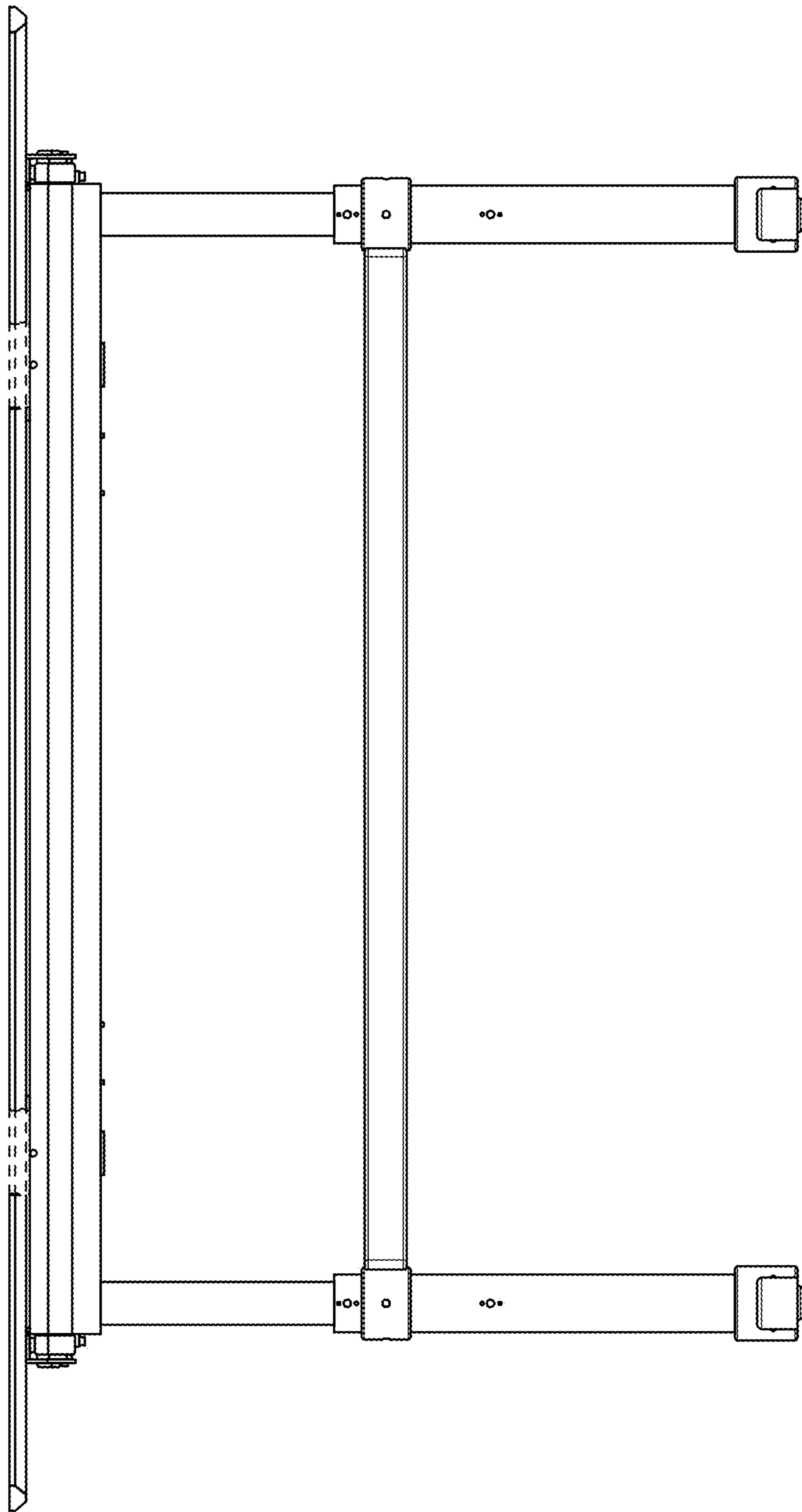


FIG. 21

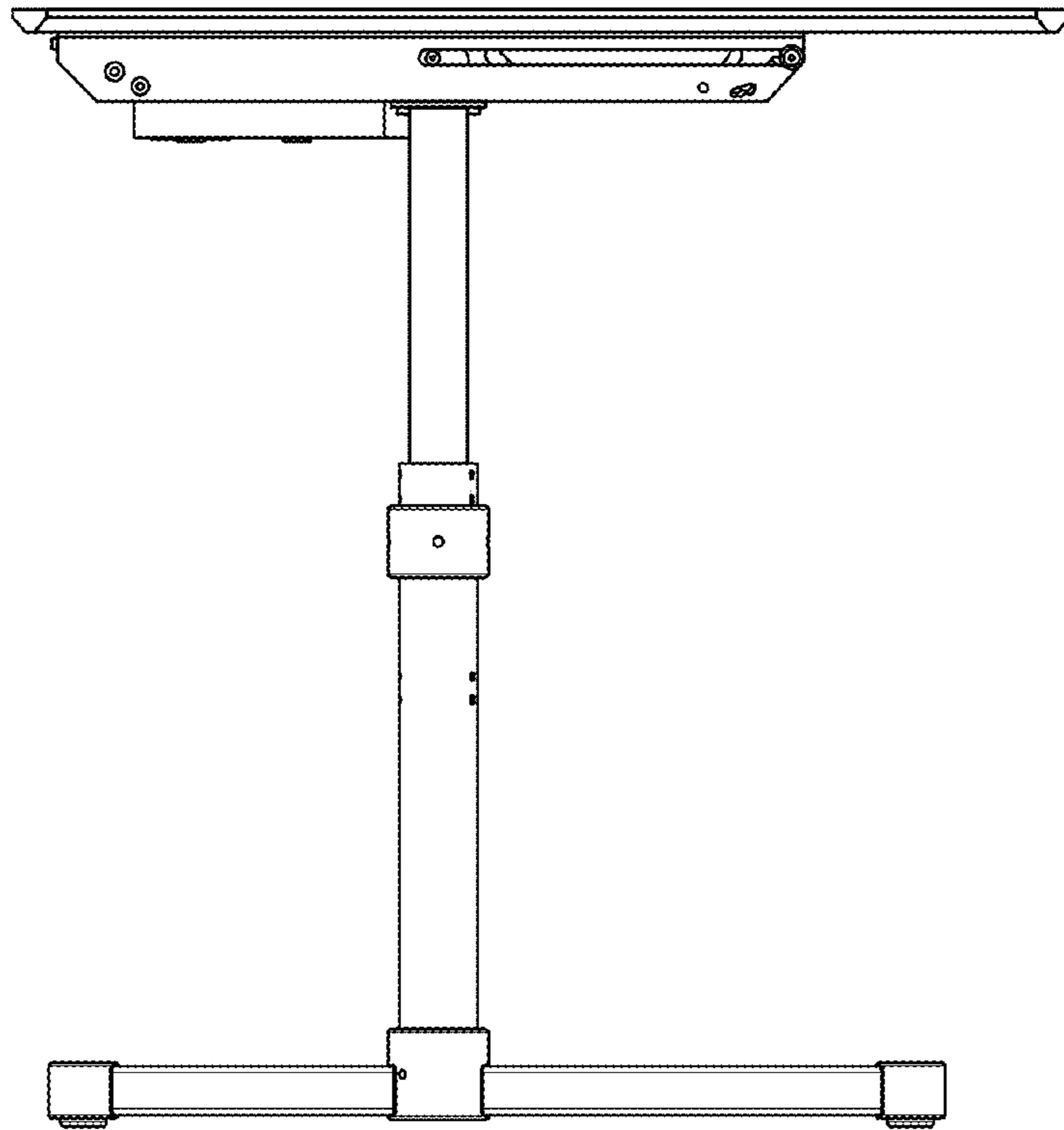


FIG. 22

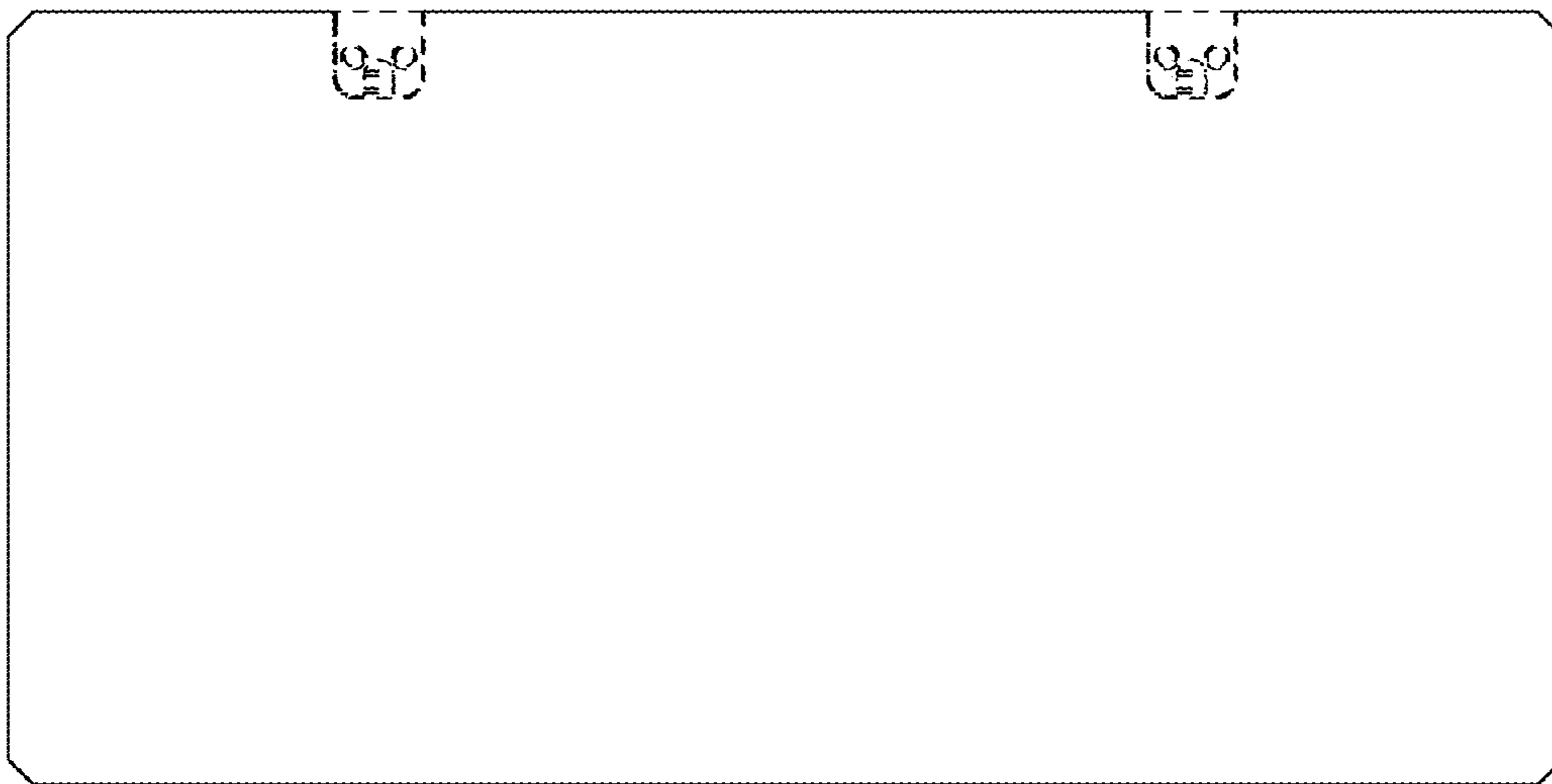


FIG. 23

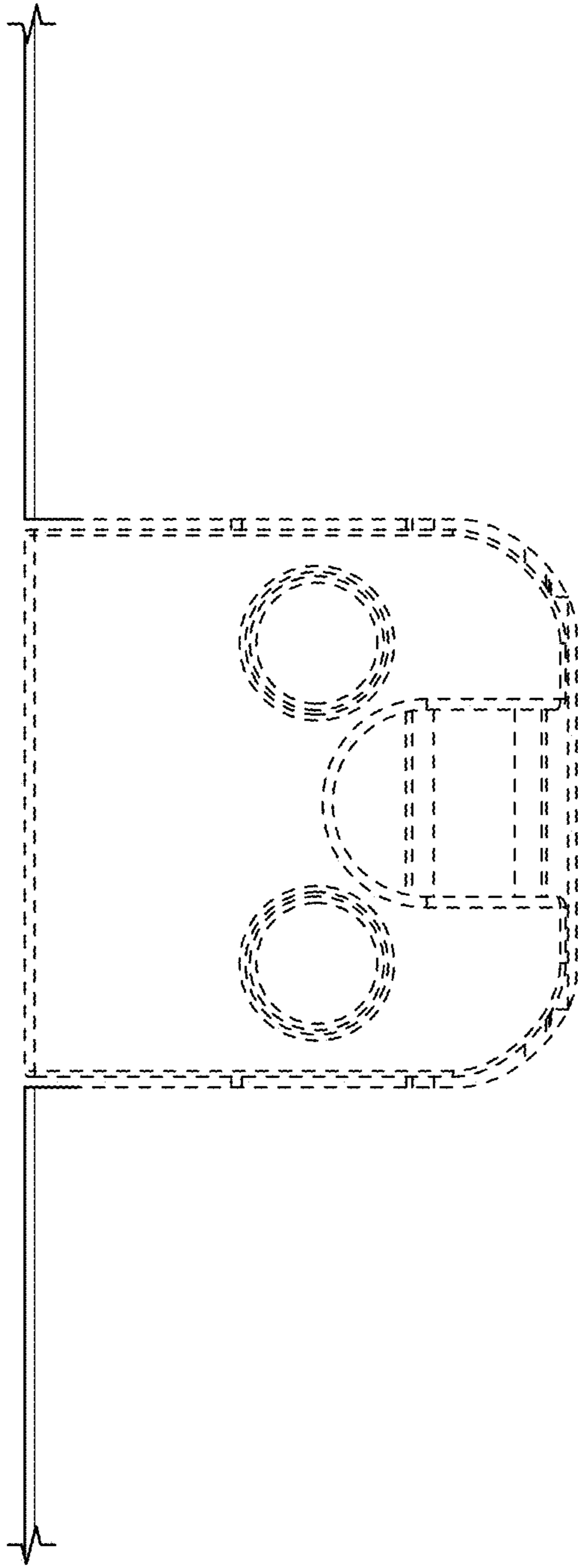


FIG. 24