



US00D719759S

(12) **United States Design Patent**
Rawls-Meehan

(10) **Patent No.:** **US D719,759 S**

(45) **Date of Patent:** **** Dec. 23, 2014**

(54) **ADJUSTABLE BED**

(56) **References Cited**

(71) Applicant: **Martin B. Rawls-Meehan**, Franklin, MI (US)

U.S. PATENT DOCUMENTS

(72) Inventor: **Martin B. Rawls-Meehan**, Franklin, MI (US)

D271,729	S	*	12/1983	Dodrill	D6/392
5,926,877	A	*	7/1999	Lin	5/618
5,953,778	A	*	9/1999	Hiatt	5/716
6,163,904	A	*	12/2000	Royston	5/618
6,276,011	B1	*	8/2001	Antinori	5/618
7,810,189	B2	*	10/2010	Boudreau	5/618
8,146,188	B2	*	4/2012	Hibler	5/613
8,375,488	B2	*	2/2013	Rawls-Meehan	5/617
2005/0011005	A1	*	1/2005	Borda	5/412
2009/0193587	A1	*	8/2009	Neuenswander et al.	5/618
2010/0186168	A1	*	7/2010	Harrison	5/616

(**) Term: **14 Years**

(21) Appl. No.: **29/445,029**

(22) Filed: **Feb. 6, 2013**

* cited by examiner

Related U.S. Application Data

(63) Continuation of application No. 13/233,373, filed on Sep. 15, 2011, now Pat. No. 8,375,488, which is a continuation of application No. 12/328,728, filed on Dec. 4, 2008, now Pat. No. 8,069,512.

Primary Examiner — Janice Seeger

(74) *Attorney, Agent, or Firm* — Gifford, Krass, Sprinkle, Anderson & Citkowski, P.C.; Douglas L. Wathen

(51) **LOC (10) Cl.** **06-02**

(52) **U.S. Cl.**
USPC **D6/392**

(58) **Field of Classification Search**
USPC D6/382–384, 392–395, 702, 605;
5/53.1, 279.1, 280, 281, 907, 613, 616,
5/618, 722

See application file for complete search history.

(57) **CLAIM**

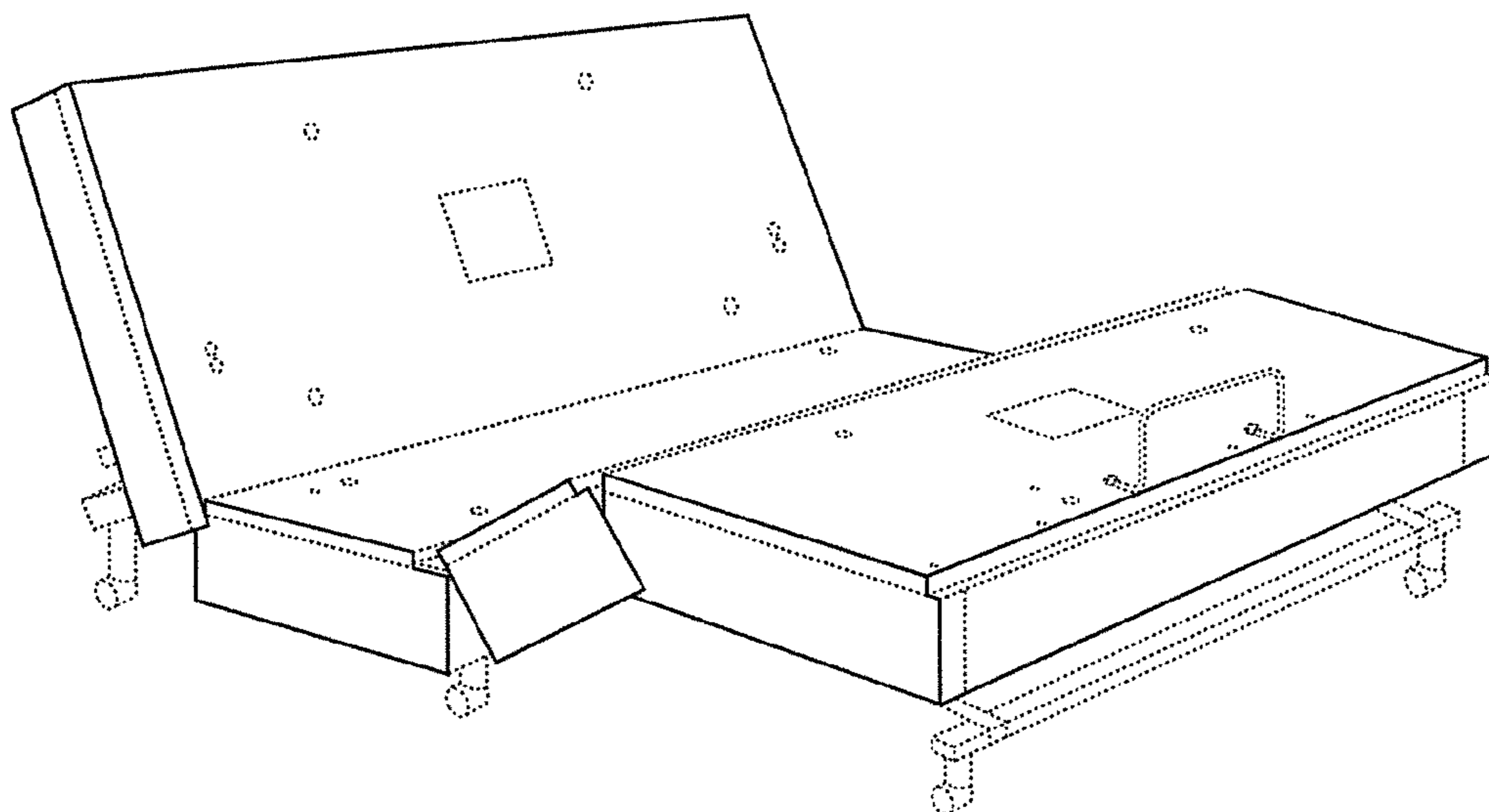
I claim the ornamental design for a adjustable bed, as shown and described.

DESCRIPTION

FIG. 1 is a perspective view of a adjustable bed design in a first position; and, FIG. 2 is a side perspective view of the design of FIG. 1 in the first position.

The broken lines are for environmental purposes only and form no part of the claimed design.

1 Claim, 1 Drawing Sheet



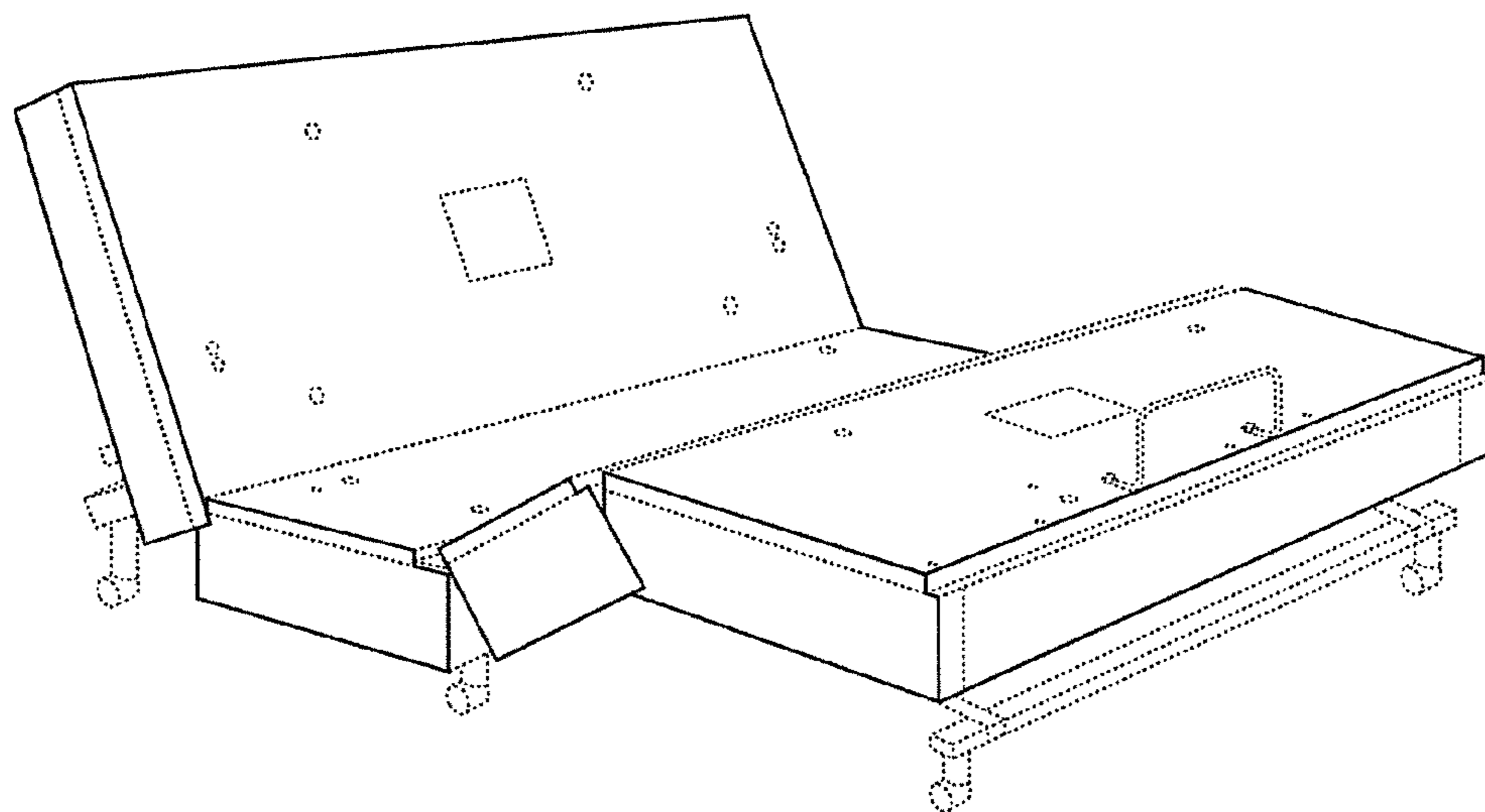


FIG. 1

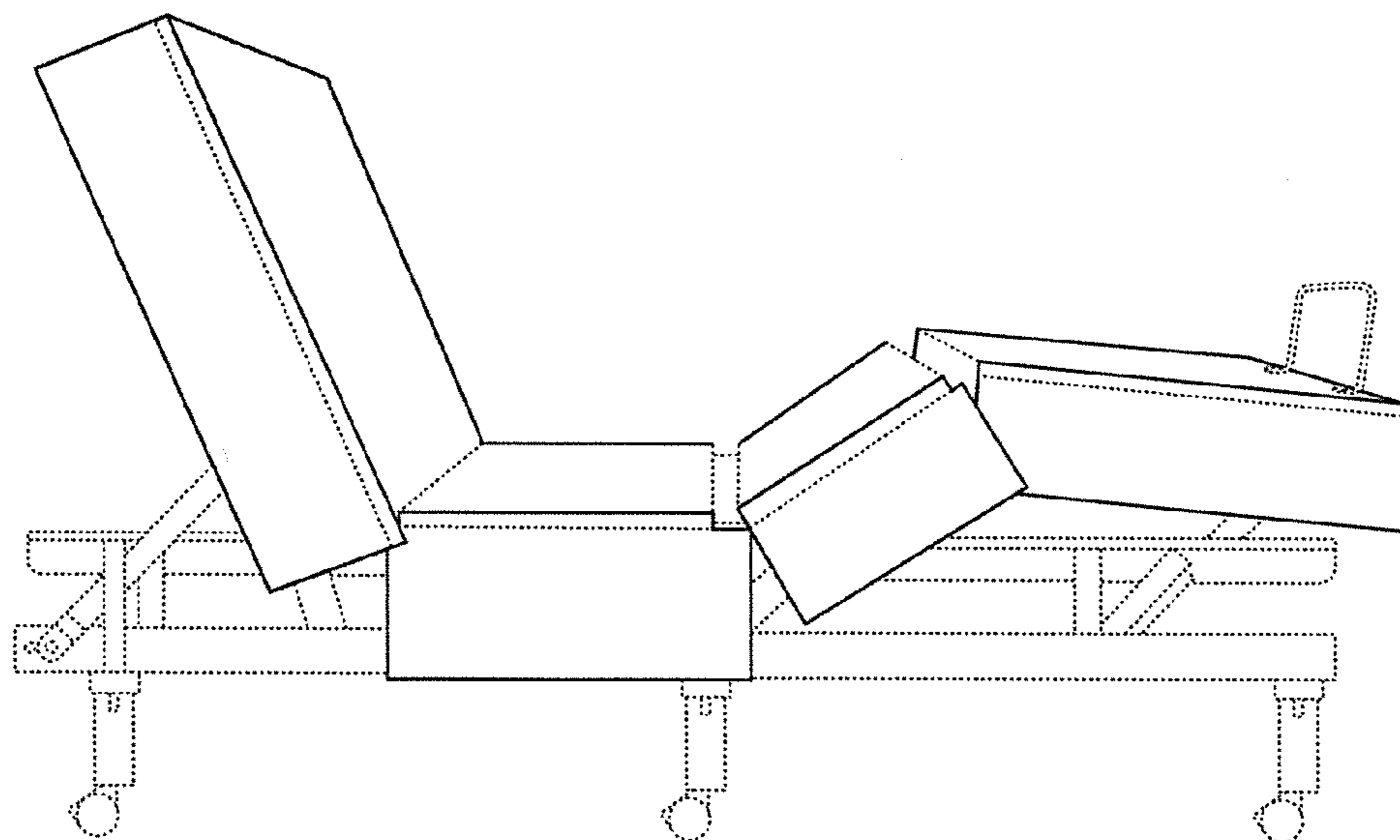


FIG. 2