



US00D719758S

(12) **United States Design Patent**
Sonmez

(10) **Patent No.:** **US D719,758 S**

(45) **Date of Patent:** **** Dec. 23, 2014**

(54) **FURNITURE ITEM**

(71) Applicant: **Boytaş Mobilya Sanayi Ve Ticaret Anonim Sirketi**, Kayseri (TR)

(72) Inventor: **Osman Tanzer Sonmez**, Kayseri (TR)

(73) Assignee: **Boytaş Mobilya Sanayi Ve Ticaret Anonim Sirketi**, Kayseri (TR)

(**) Term: **14 Years**

(21) Appl. No.: **29/501,669**

(22) Filed: **Sep. 6, 2014**

(51) **LOC (10) Cl.** **06-01**

(52) **U.S. Cl.**
USPC **D6/381**

(58) **Field of Classification Search**
CPC A47C 17/00; A47C 17/02; A47C 17/12;
A47C 17/18; A47C 7/021; A47C 31/00;
A47C 3/16
USPC D6/334, 335, 336, 381, 377; 297/94,
297/118, 188.01, 445.1, 448.1, 452.11,
297/DIG. 7, DIG. 8
See application file for complete search history.

(56) **References Cited**

U.S. PATENT DOCUMENTS

4,077,666 A * 3/1978 Heumann 297/440.14
D253,326 S * 11/1979 Brukoff D6/377
D488,315 S * 4/2004 Natuzzi D6/381

D499,264 S * 12/2004 Ricci D6/381
D504,247 S * 4/2005 Ricci D6/381
D514,840 S * 2/2006 Ghetti D6/381
D542,561 S * 5/2007 Ricci D6/381
D551,462 S * 9/2007 Ricci D6/381
D584,522 S * 1/2009 Ricci D6/381
D592,877 S * 5/2009 Natuzzi D6/381
D598,941 S * 8/2009 Tanifuji D16/202
D677,493 S * 3/2013 Masson D6/381
D677,925 S * 3/2013 Banda D6/381

* cited by examiner

Primary Examiner — Sandra Snapp

(74) *Attorney, Agent, or Firm* — Inventa Capital PLC

(57) **CLAIM**

The ornamental design for a furniture item, as shown and described.

DESCRIPTION

FIG. 1 is a perspective view of a furniture item of the present invention;

FIG. 2 is a perspective front view of the furniture item;

FIG. 3 is a perspective rear view of the furniture item;

FIG. 4 is a perspective right view of the furniture item;

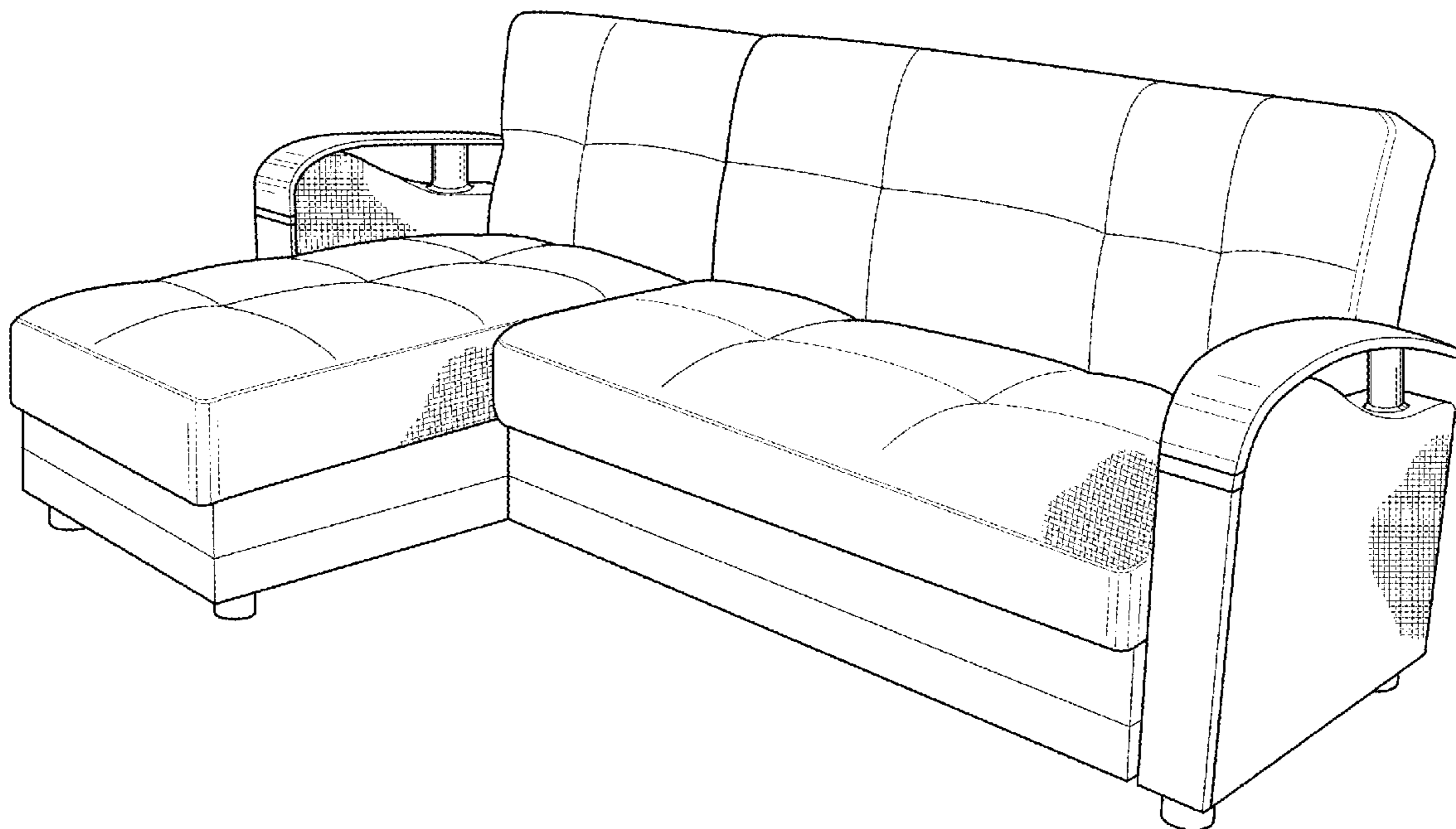
FIG. 5 is a perspective left side view of the furniture item;

FIG. 6 is a perspective top side view of the furniture item; and,

FIG. 7 is a perspective bottom view of the furniture item.

The broken lines shown in the drawings are for illustrative purposes only and form no part of the claimed design. The crisscross pattern of lines in the drawings represents material that is understood to be distributed uniformly over the surface of the furniture item.

1 Claim, 7 Drawing Sheets



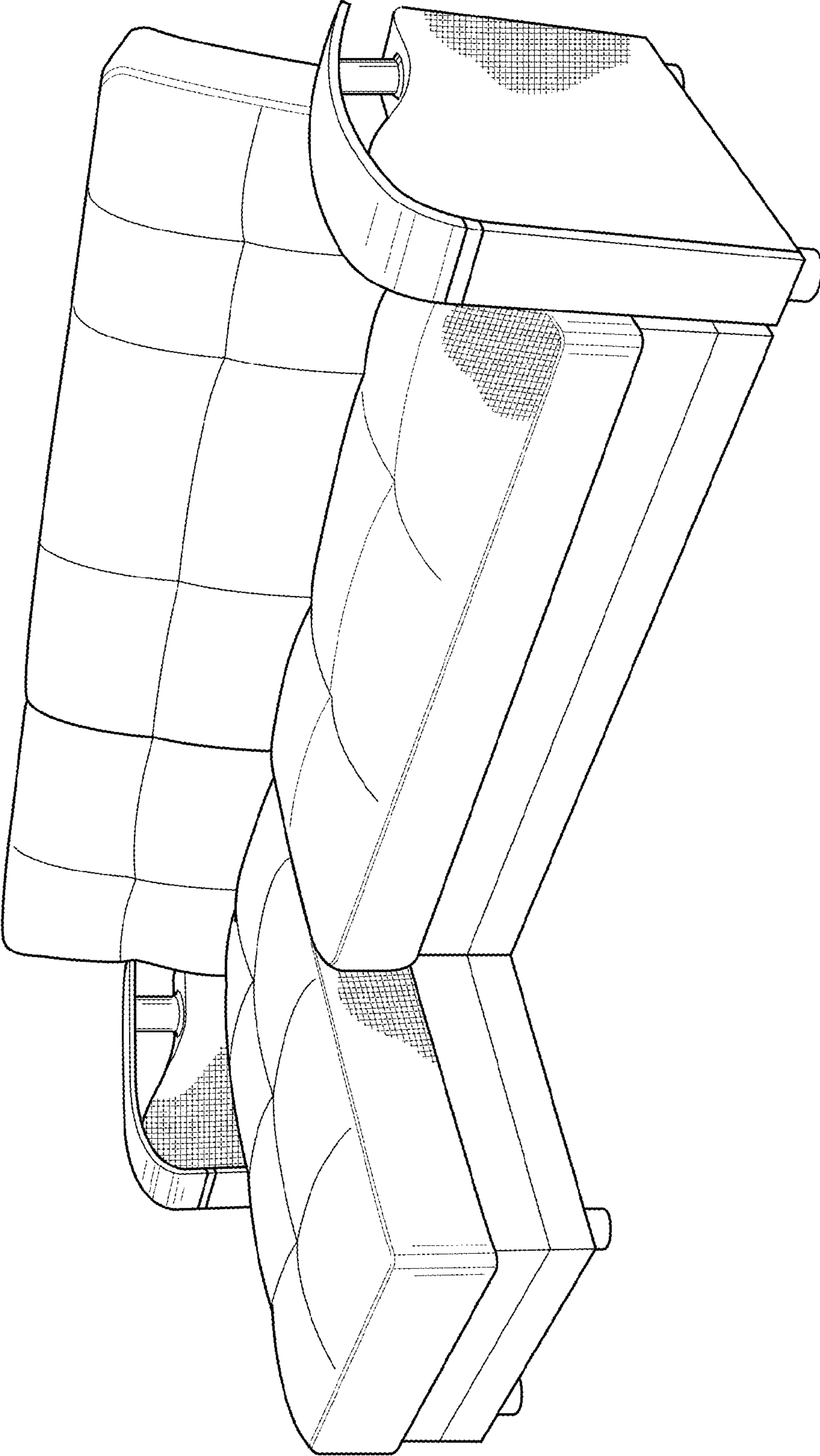
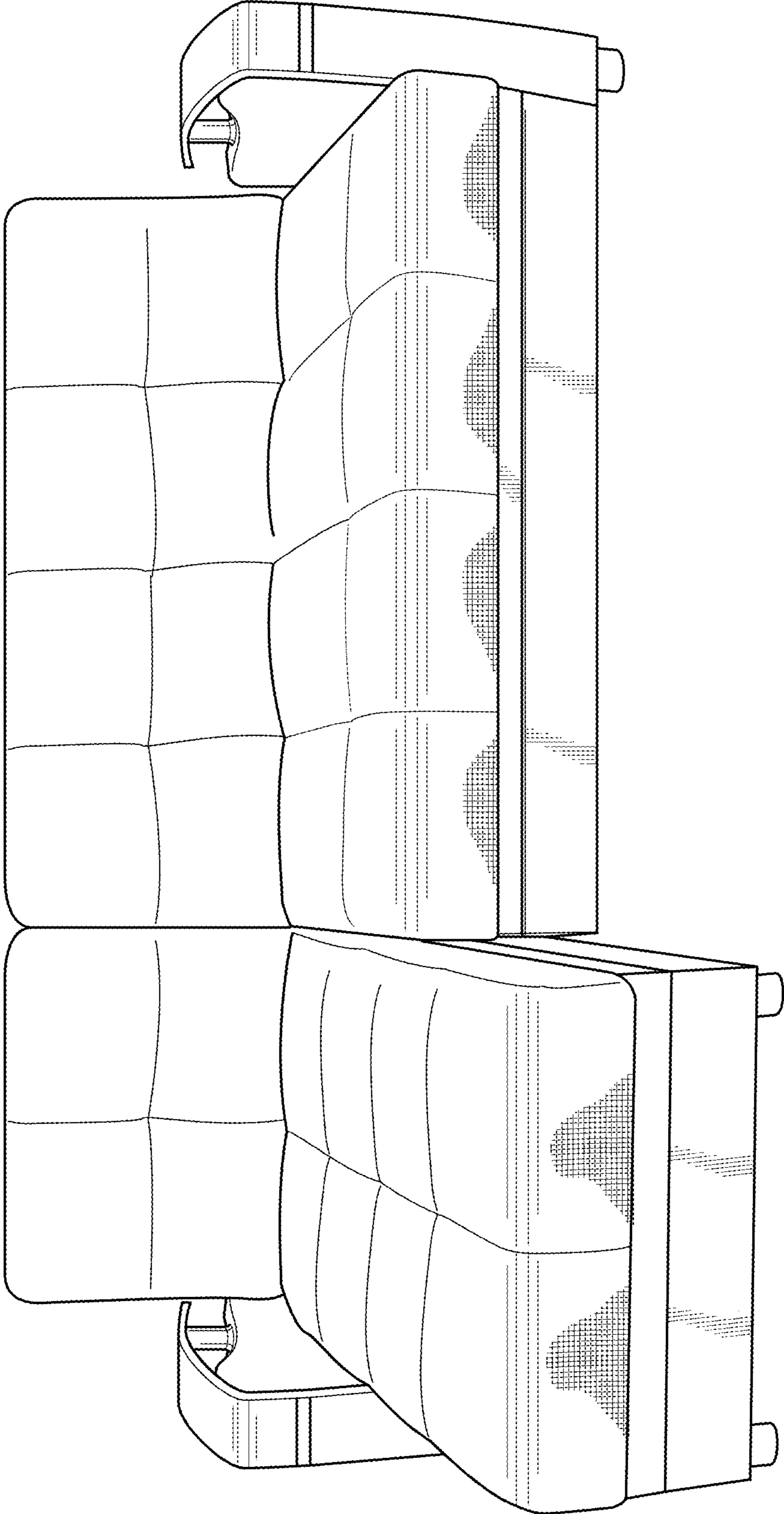


FIG. 1

FIG. 2



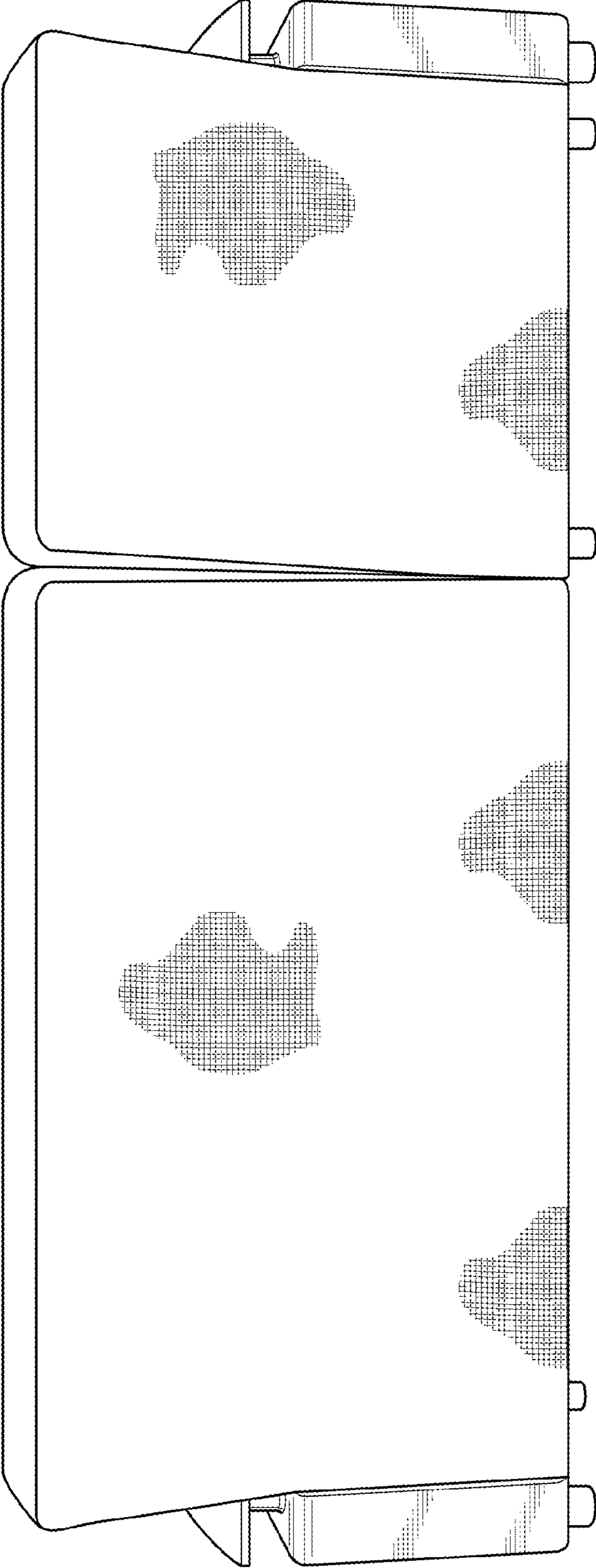


FIG. 3

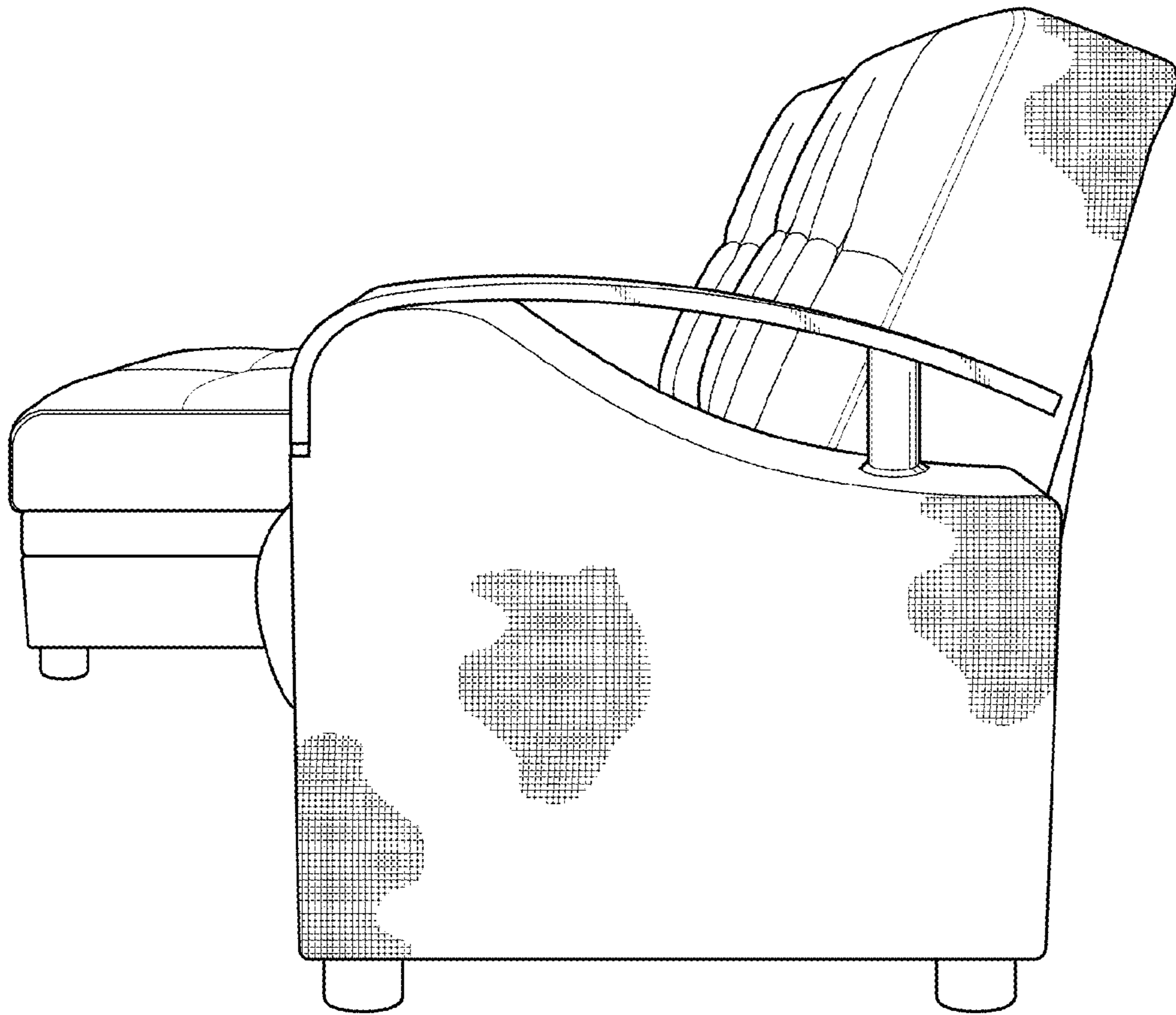


FIG. 4

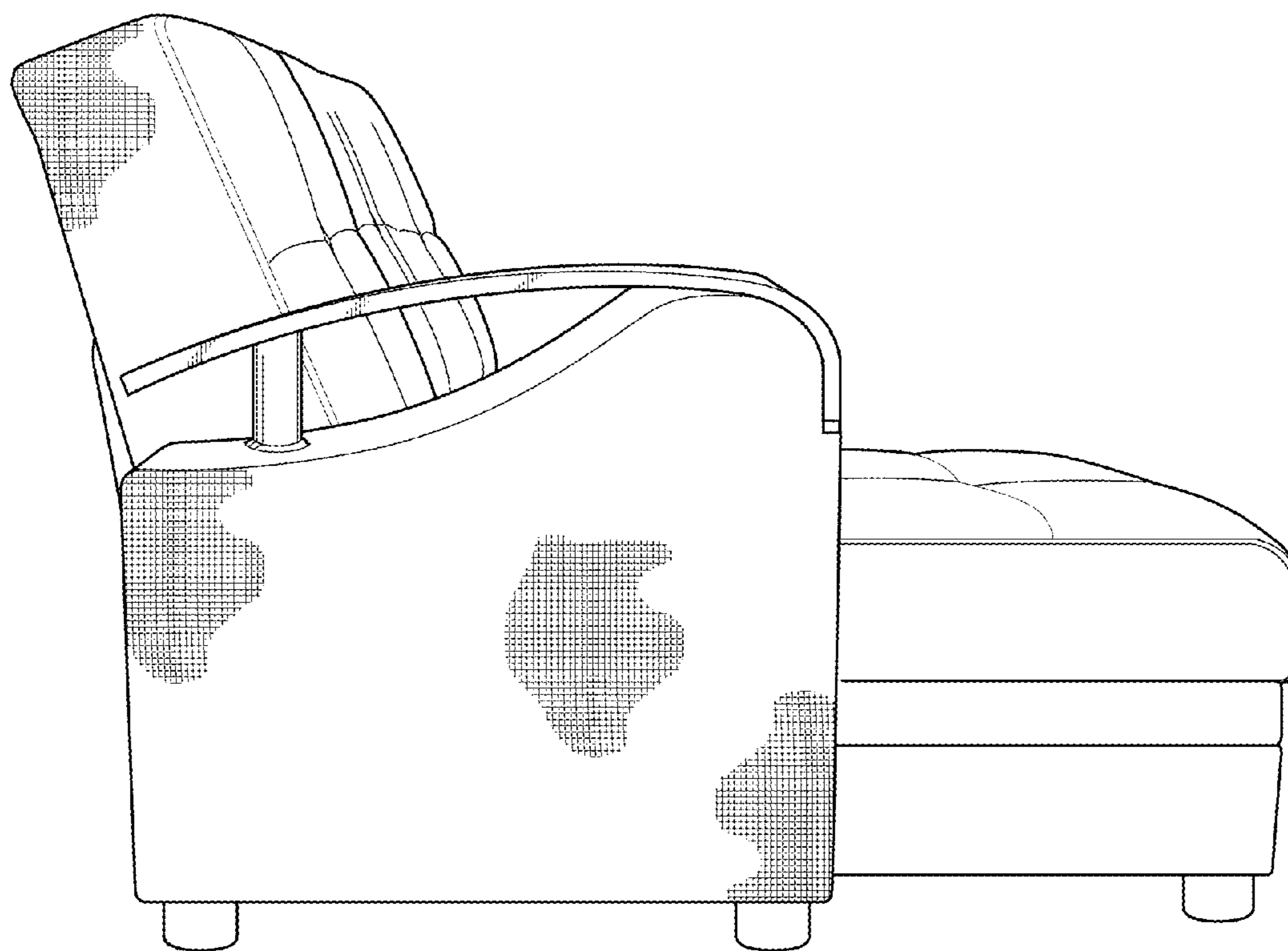


FIG. 5

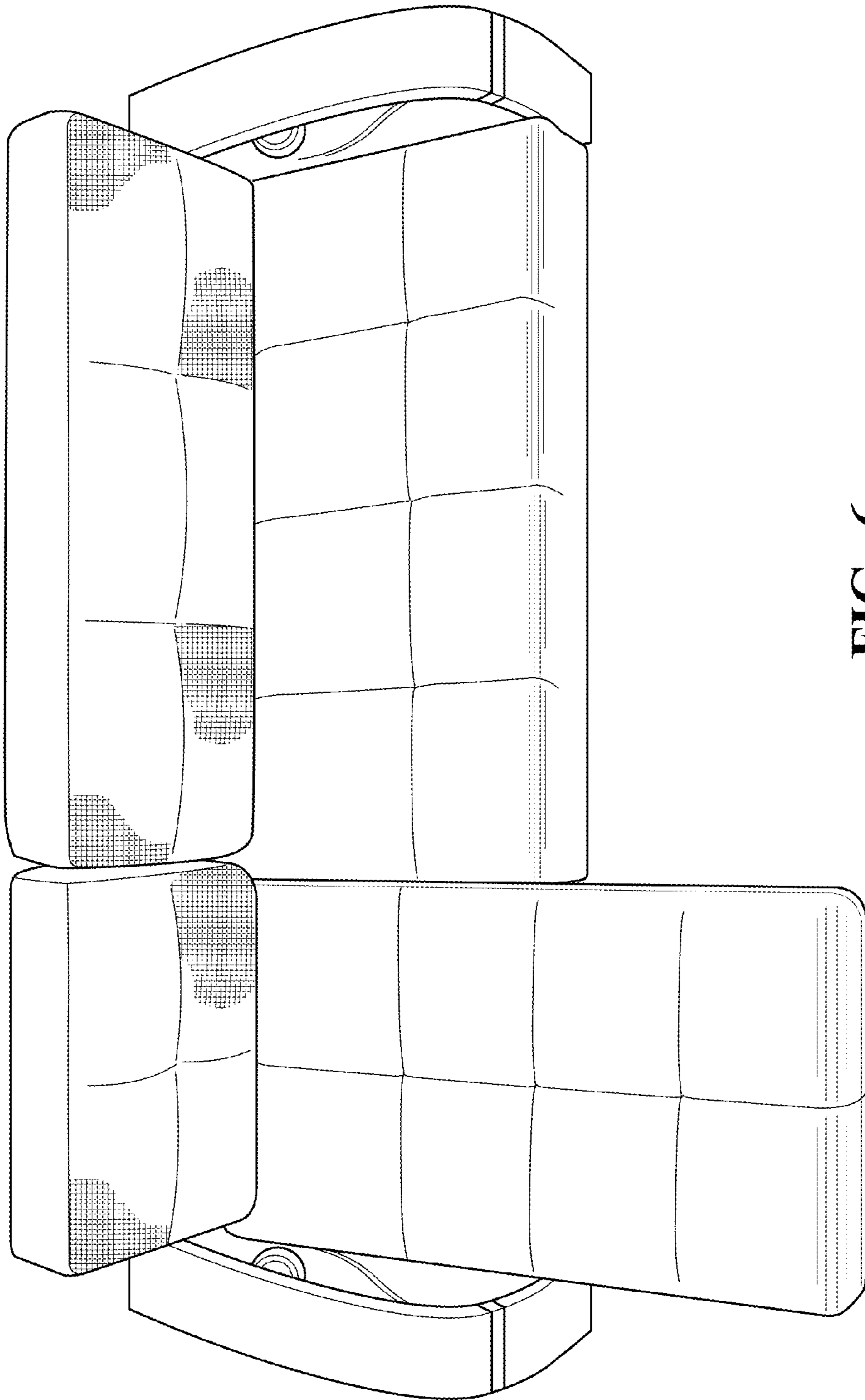


FIG. 6

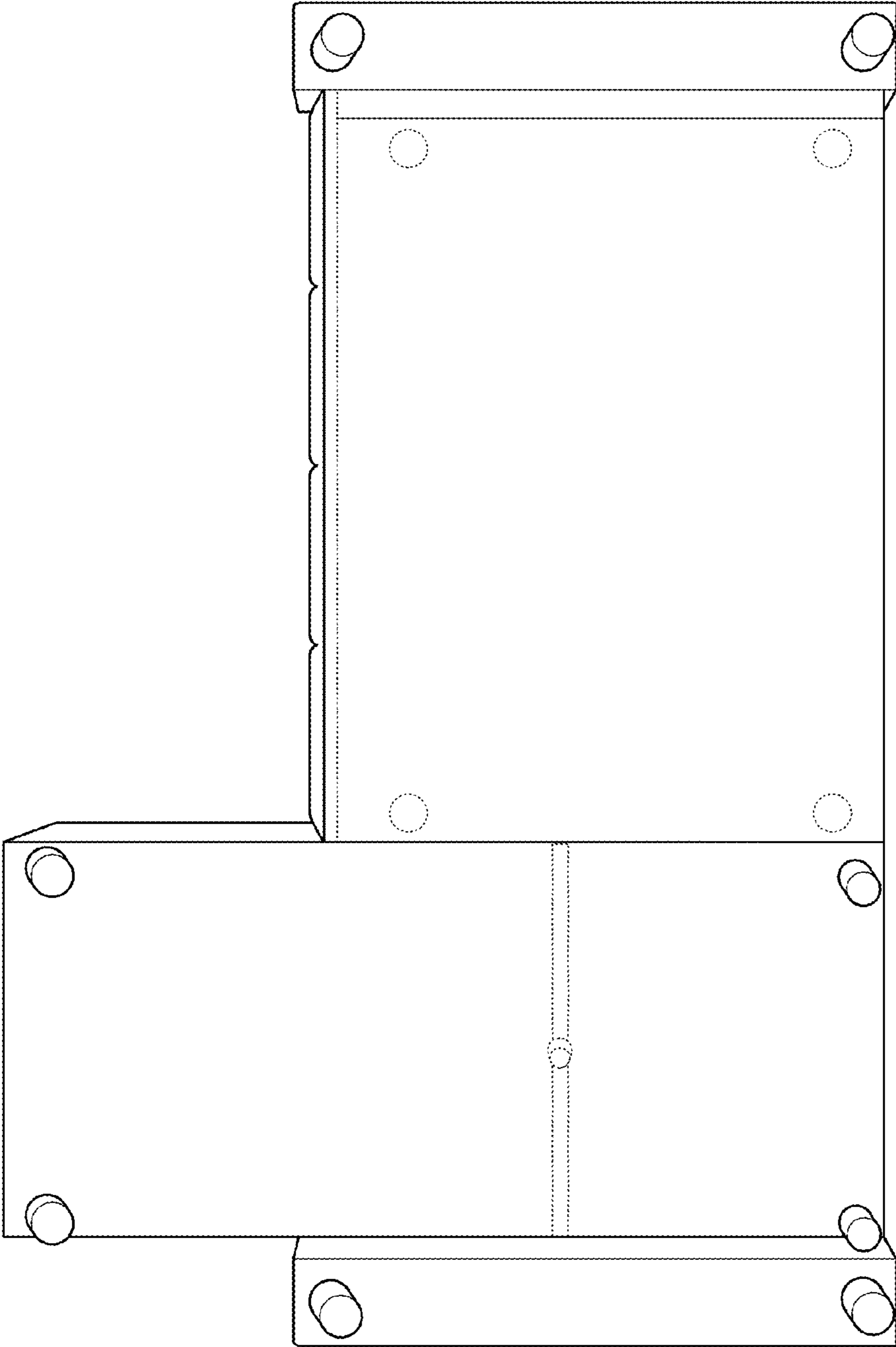


FIG. 7