



US00D719756S

(12) **United States Design Patent**  
**Sonmez**

(10) **Patent No.:** **US D719,756 S**  
(45) **Date of Patent:** **\*\* Dec. 23, 2014**

- (54) **FURNITURE ITEM**
- (71) Applicant: **Boytas Mobilya Sanayi Ve Ticaret Anonim Sirketi, Kayseri (TR)**
- (72) Inventor: **Osman Tanzer Sonmez, Kayseri (TR)**
- (73) Assignee: **Boytas Mobilya Sanayi Ve Ticaret Anonim Sirketi, Kayseri (TR)**
- (\*\*) Term: **14 Years**
- (21) Appl. No.: **29/501,459**
- (22) Filed: **Sep. 4, 2014**
- (51) **LOC (10) Cl.** ..... **06-01**
- (52) **U.S. Cl.**  
USPC ..... **D6/381**
- (58) **Field of Classification Search**  
CPC ..... A47C 17/00; A47C 17/02; A47C 17/12;  
A47C 17/18; A47C 7/021; A47C 31/00;  
A47C 3/16  
USPC ..... D6/334, 335, 336, 381; 297/94, 118,  
297/188.01, 445.1, 448.1, 452.11, DIG. 7,  
297/DIG. 8  
See application file for complete search history.

D569,123 S *	5/2008	Rooz et al. ....	D6/381
D603,618 S *	11/2009	Weiss .....	D6/381
D604,957 S *	12/2009	Weiss .....	D6/381
D610,366 S *	2/2010	Kanthasamy .....	D6/381
D614,419 S *	4/2010	Andersen .....	D6/381
D615,766 S *	5/2010	Andersen .....	D6/381
D621,174 S *	8/2010	Kanthasamy .....	D6/381
D635,791 S *	4/2011	Kanthasamy .....	D6/381
D635,793 S *	4/2011	Kanthasamy .....	D6/381
D635,794 S *	4/2011	Kanthasamy .....	D6/381
D675,460 S *	2/2013	Kanthasamy .....	D6/381

\* cited by examiner

*Primary Examiner* — Sandra Snapp  
(74) *Attorney, Agent, or Firm* — Inventa Capital PLC

(57) **CLAIM**  
The ornamental design for a furniture item, as shown and described.

**DESCRIPTION**

FIG. 1 is a perspective view of a furniture item of the present invention;  
 FIG. 2 is a perspective front view of the furniture item;  
 FIG. 3 is a perspective rear view of the furniture item;  
 FIG. 4 is a perspective right view of the furniture item;  
 FIG. 5 is a perspective left side view of the furniture item;  
 FIG. 6 is a perspective top side view of the furniture item; and,  
 FIG. 7 is a perspective bottom view of the furniture item.  
 The crisscross pattern of lines in the drawings represents material that is understood to be distributed uniformly over the surface of the furniture item.  
 The broken lines shown in the drawings are for illustrative purposes only and form no part of the claimed design.

**1 Claim, 7 Drawing Sheets**

- (56) **References Cited**  
U.S. PATENT DOCUMENTS  
4,110,855 A \* 9/1978 Acker ..... 5/45  
4,292,698 A \* 10/1981 Acker ..... 5/45  
D272,968 S \* 3/1984 Fairaizen ..... D6/381  
D446,962 S \* 8/2001 Mourgue ..... D6/381  
D498,075 S \* 11/2004 Mourgue ..... D6/381

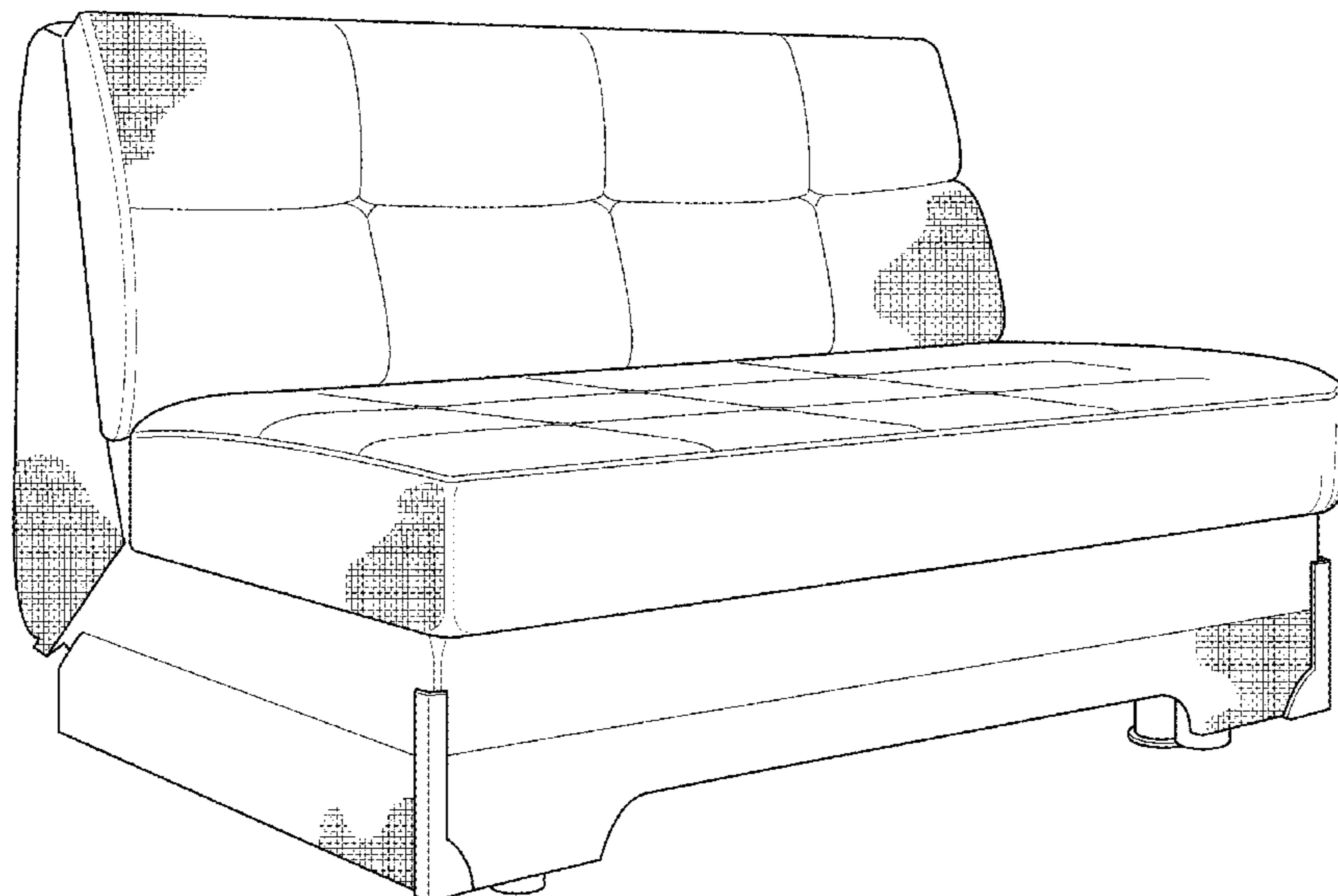
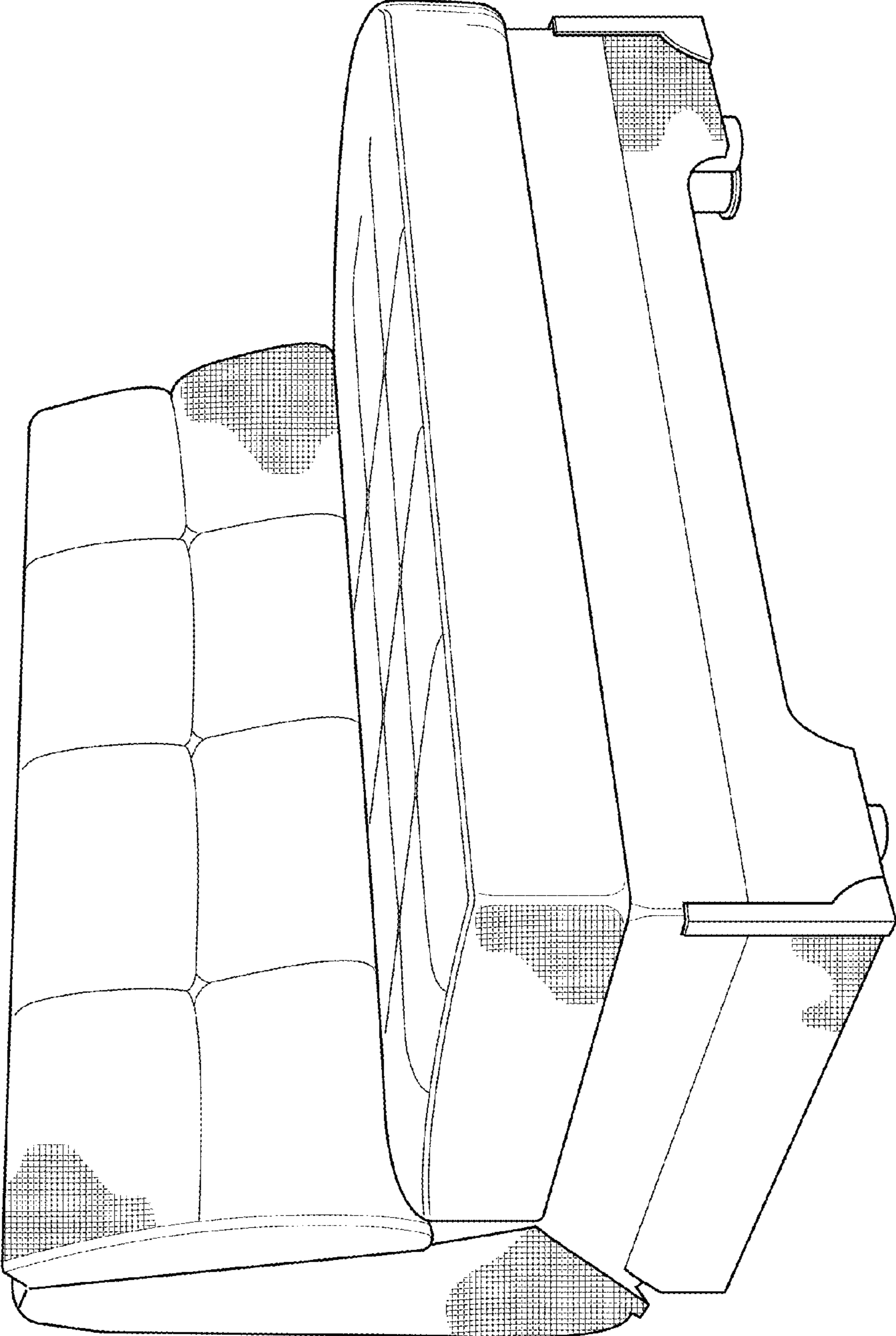


FIG. 1



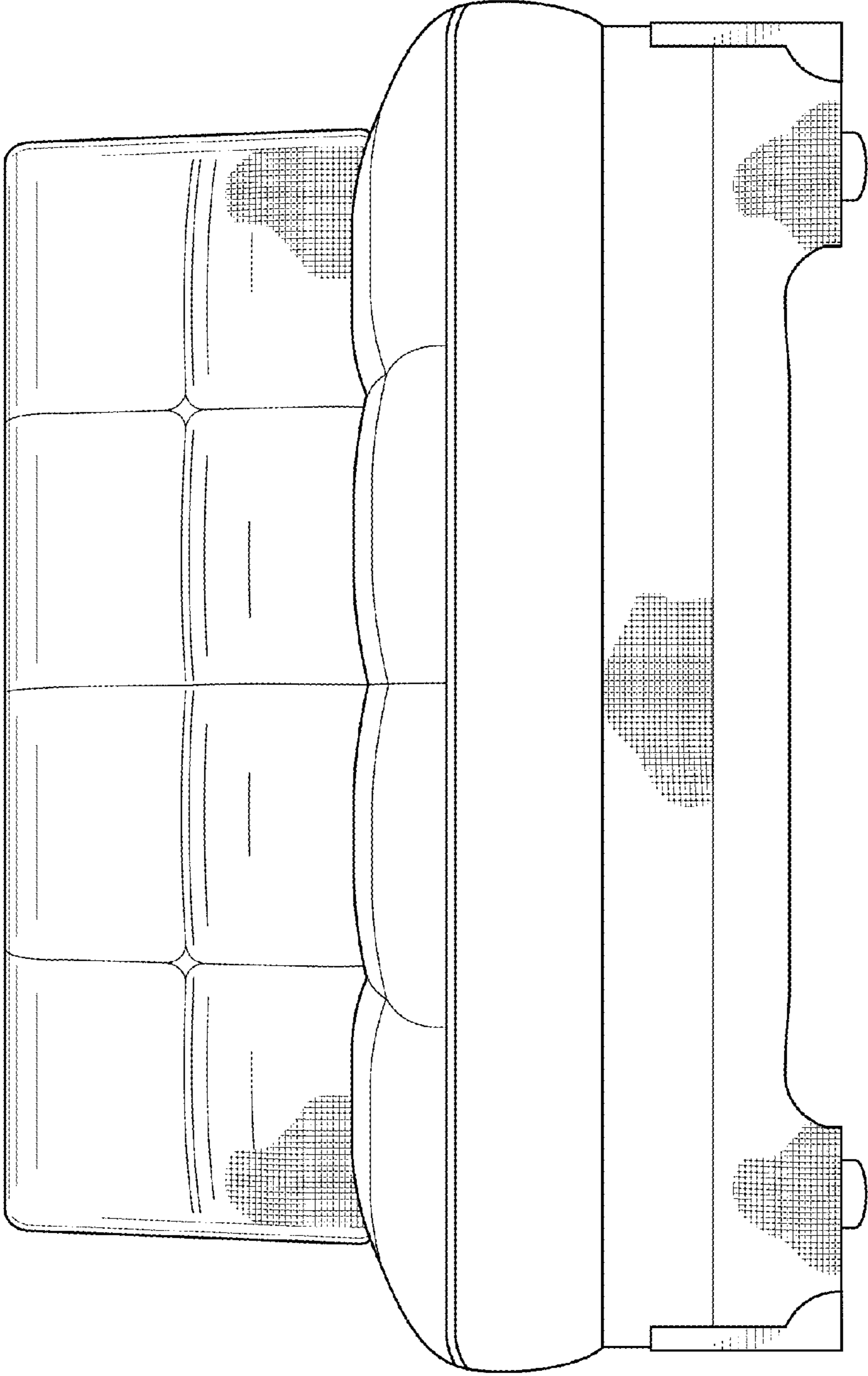


FIG. 2

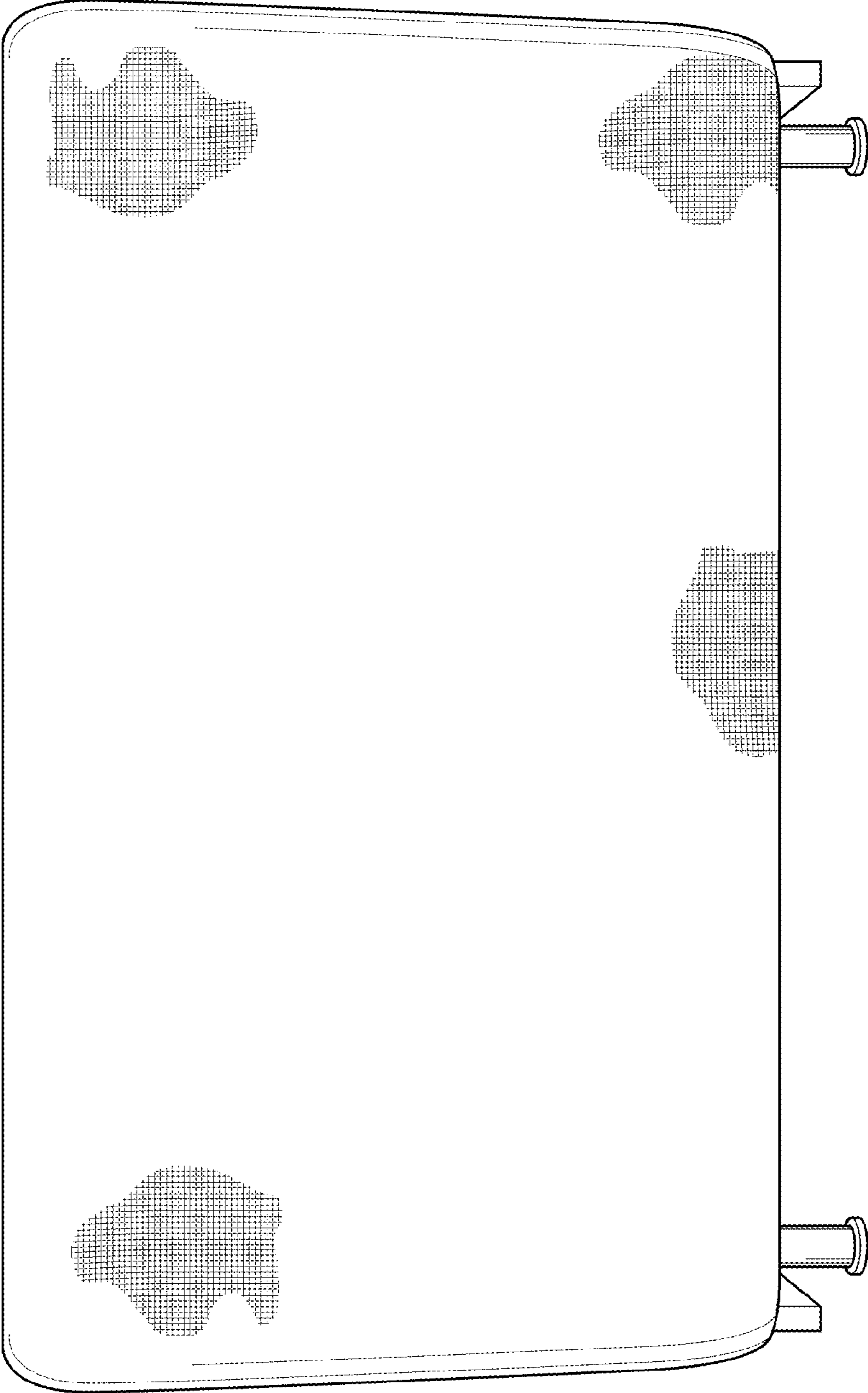


FIG. 3

**FIG. 4**

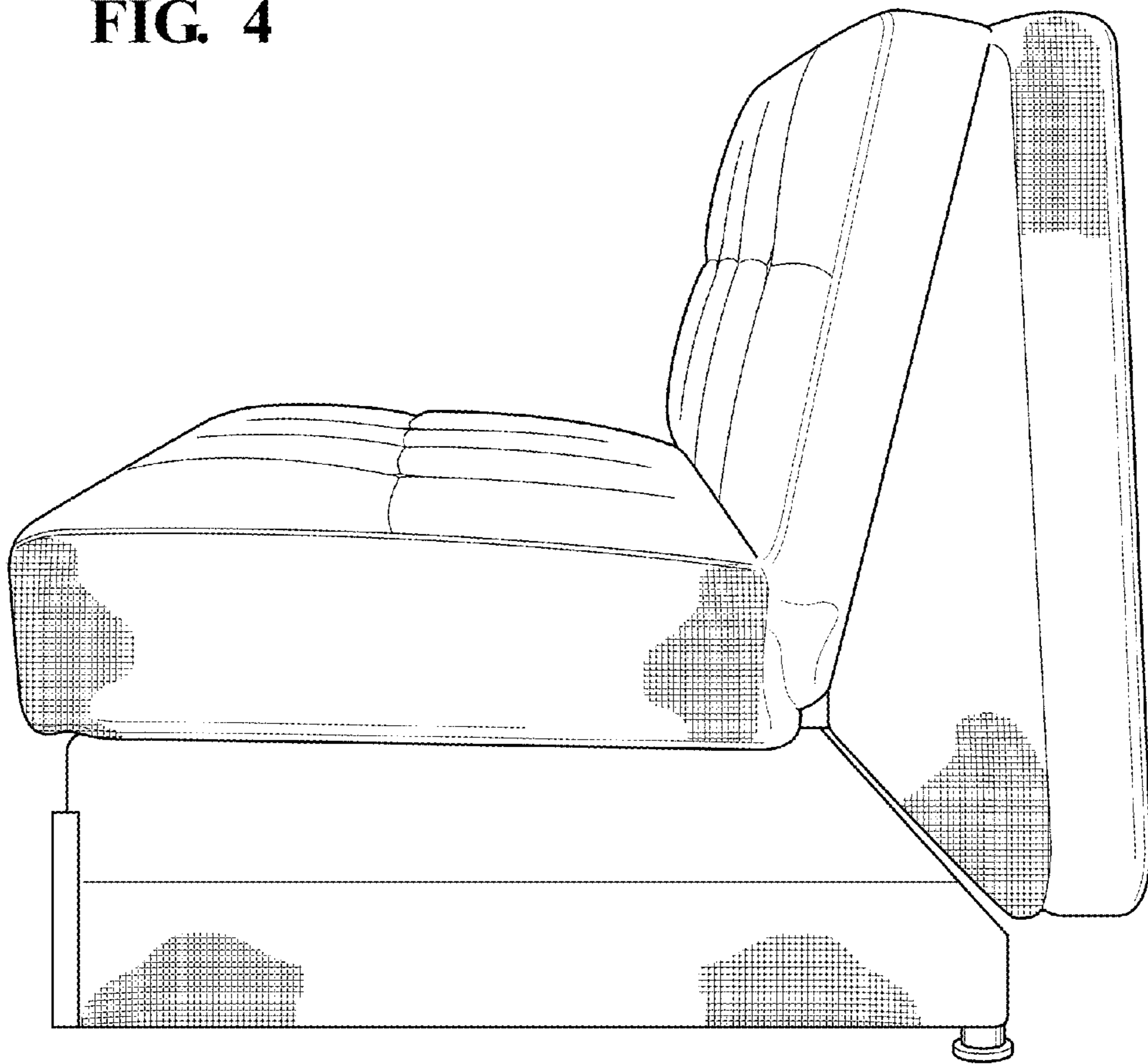
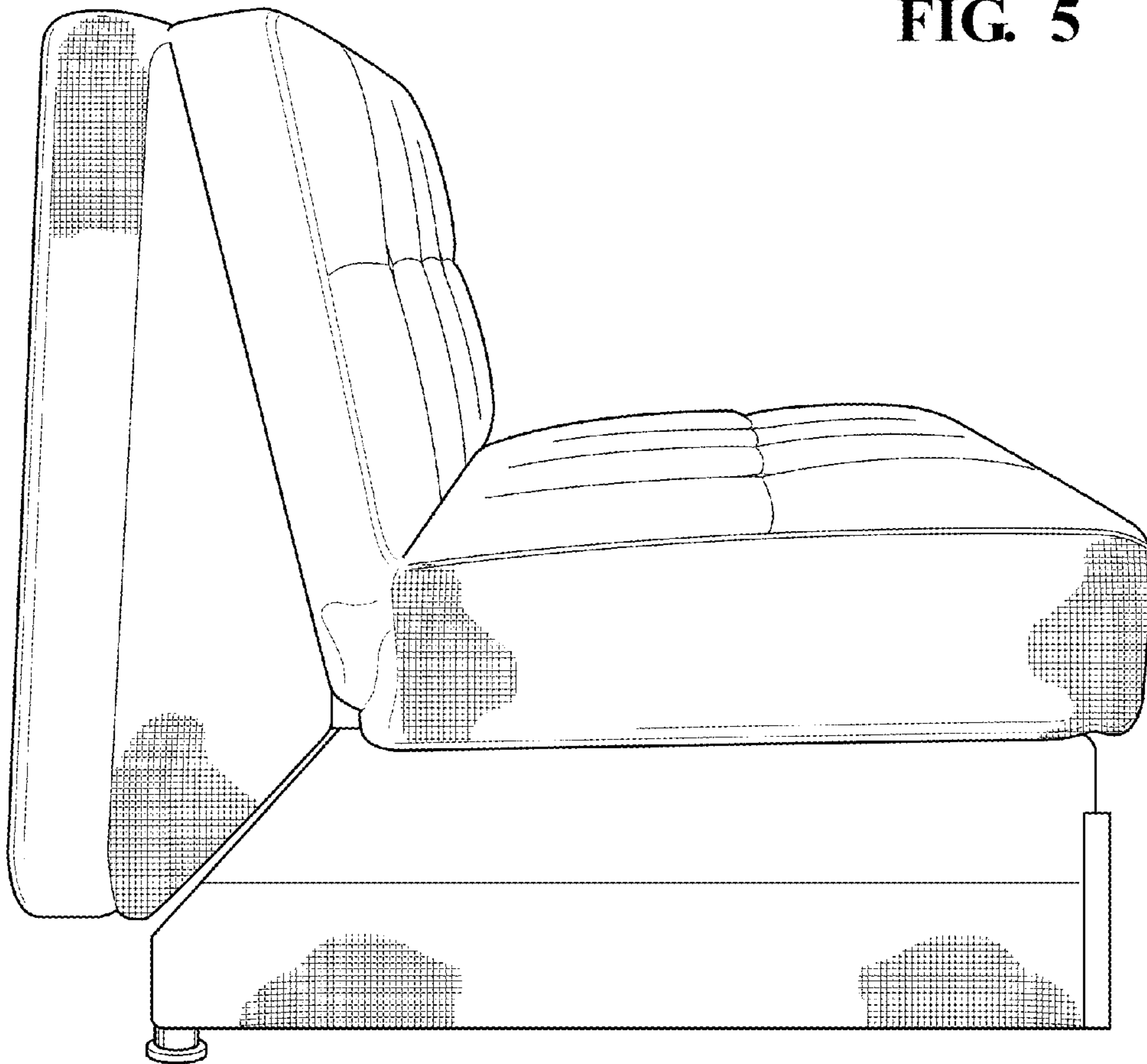


FIG. 5



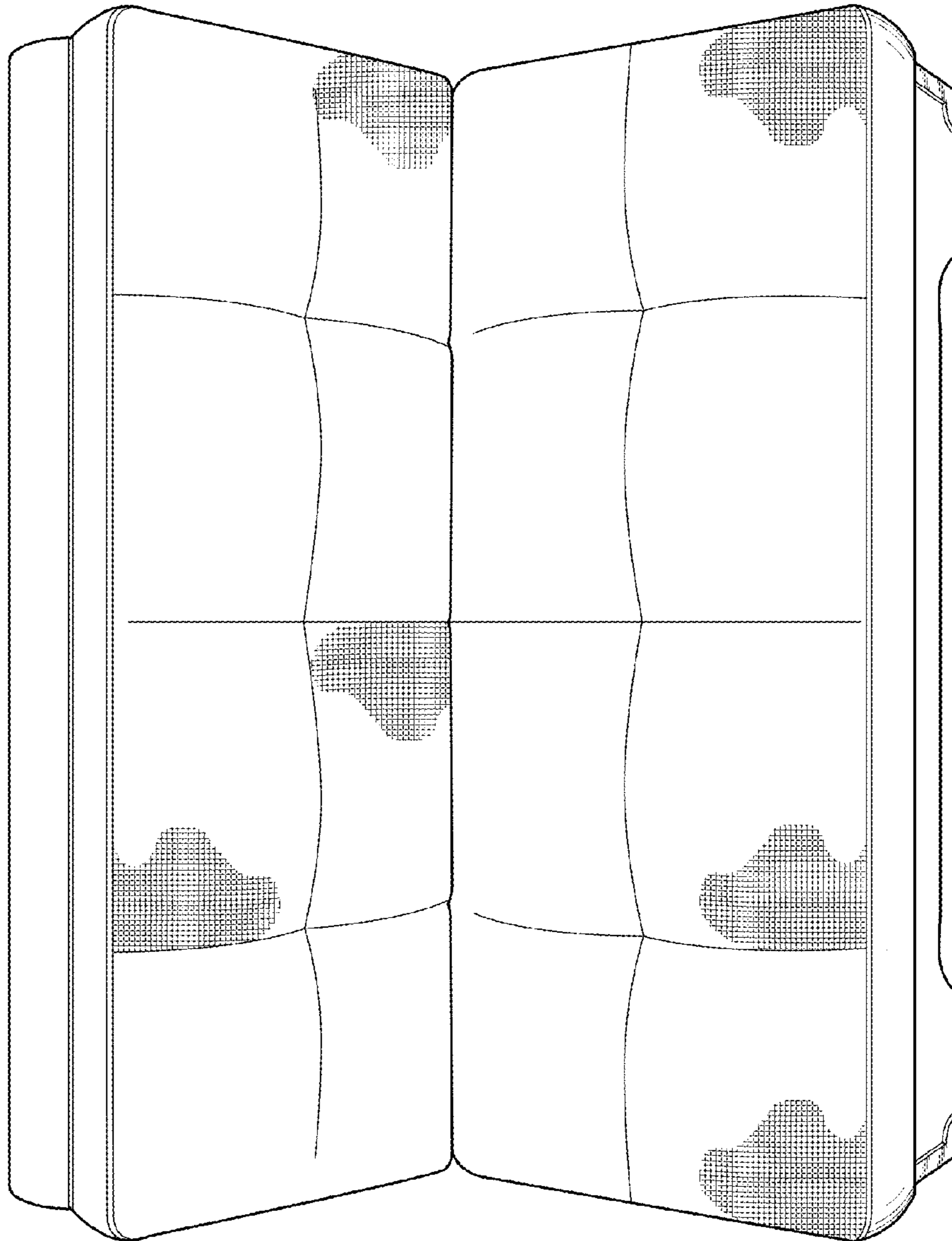


FIG. 6

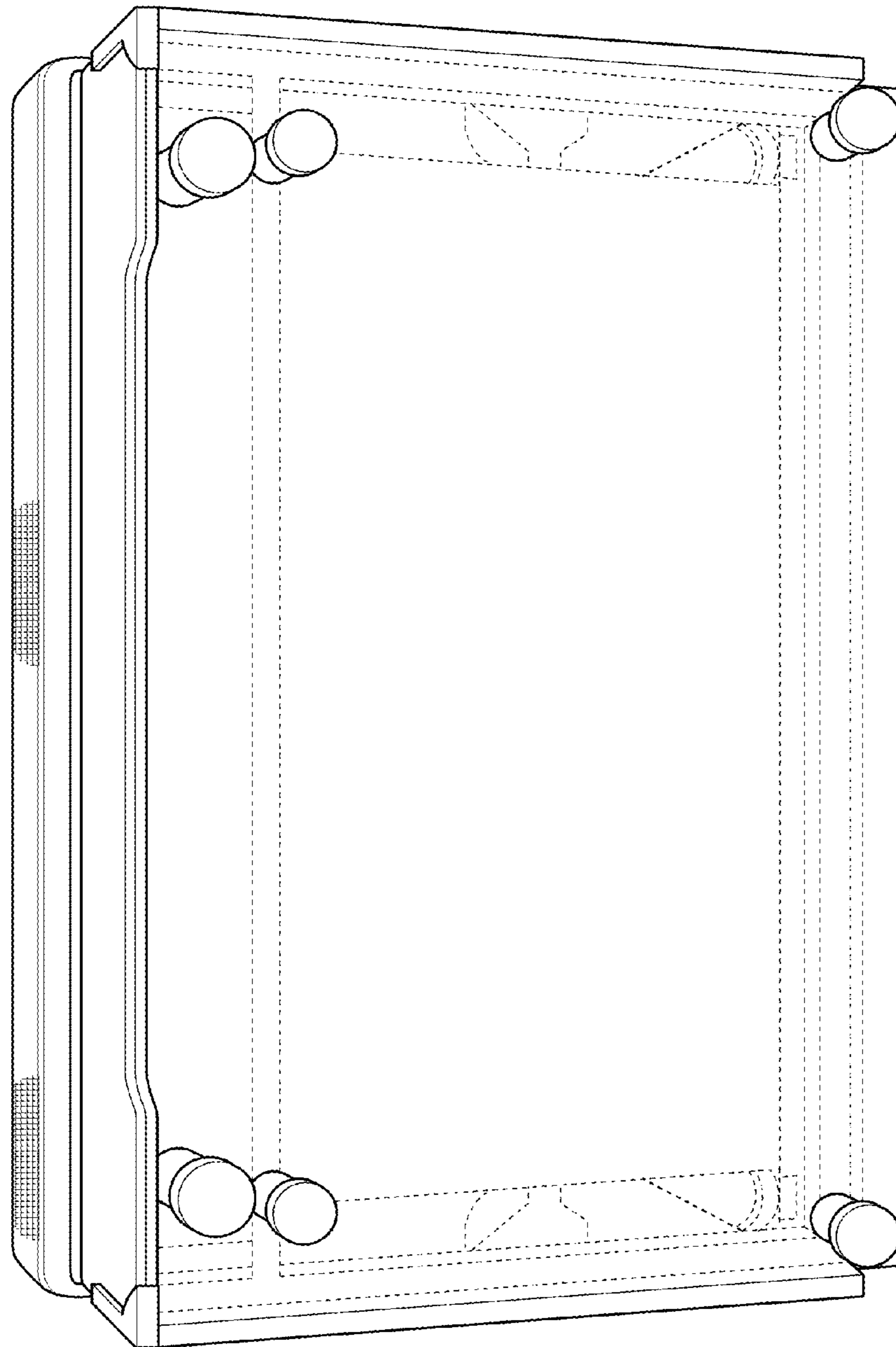


FIG. 7