



US00D719755S

(12) **United States Design Patent**
Kanthasamy

(10) **Patent No.:** **US D719,755 S**
(45) **Date of Patent:** **** Dec. 23, 2014**

(54) **CONVERTIBLE SOFA BED WITH CHAISE LOUNGE AND OTHER MULTIPLE POSITIONS**

DESCRIPTION

- (71) Applicant: **Lifestyle Solutions, Inc.**, Fremont, CA (US)
- (72) Inventor: **Abedan Kanthasamy**, Kuala Lumpur (MY)
- (73) Assignee: **Lifestyle Solutions, Inc.**, Fremont, CA (US)
- (**) Term: **14 Years**
- (21) Appl. No.: **29/492,710**
- (22) Filed: **Jun. 2, 2014**
- (51) **LOC (10) Cl.** **06-01**
- (52) **U.S. Cl.**
USPC **D6/381**
- (58) **Field of Classification Search**
CPC A47C 17/00; A47C 17/02; A47C 17/12;
A47C 17/18; A47C 7/021; A47C 31/00;
A47C 3/16
USPC D6/334, 335, 336, 379, 381, 369;
297/94, 118, 232, 445.1, 448.1, DIG. 7
See application file for complete search history.

FIG. 1 is a front perspective view of the convertible sofa bed being in a sofa position;
 FIG. 2 is a front perspective view of the convertible sofa bed with the seat back being split into a middle sofa position and side bed positions;
 FIG. 3 is a front perspective view of the convertible sofa bed being in a bed position;
 FIG. 4 is a front perspective view of the convertible sofa bed being in a chaise lounge position;
 FIG. 5 is a front elevated view of the convertible sofa bed being in a sofa position with raised side arms;
 FIG. 6 is a front elevated view of the convertible sofa bed being in a sofa position;
 FIG. 7 is a top view of the convertible sofa bed being in a bed position;
 FIG. 8 is a side view of the convertible sofa bed being in a sofa position;
 FIG. 9 is a side view of the convertible sofa bed with the seat back being between a sofa and bed position;
 FIG. 10 is a side view of the convertible sofa bed with the seat back being between a sofa and bed position;
 FIG. 11 is a side view of the convertible sofa bed with the seat back being between a sofa and bed position;
 FIG. 12 is a side view of the convertible sofa bed being in a bed position;
 FIG. 13 is a side view of the convertible sofa bed with the seat back being split into sofa and bed positions;
 FIG. 14 is a side view of the convertible sofa bed with the seat back being split into sofa, lounge and bed positions;
 FIG. 15 is a side view of the convertible sofa bed with the seat back being split into sofa and bed positions;
 FIG. 16 is a back view of the convertible sofa bed being in a sofa position; and,
 FIG. 17 is a bottom view of the convertible sofa bed being in a bed position.
 The broken lines shown in the drawings are for illustrative purposes only and form no part of the claimed design.

(56) **References Cited**

U.S. PATENT DOCUMENTS

- D186,308 S * 10/1959 Knoll D6/334
- D444,305 S * 7/2001 Mourgue D6/335

(Continued)

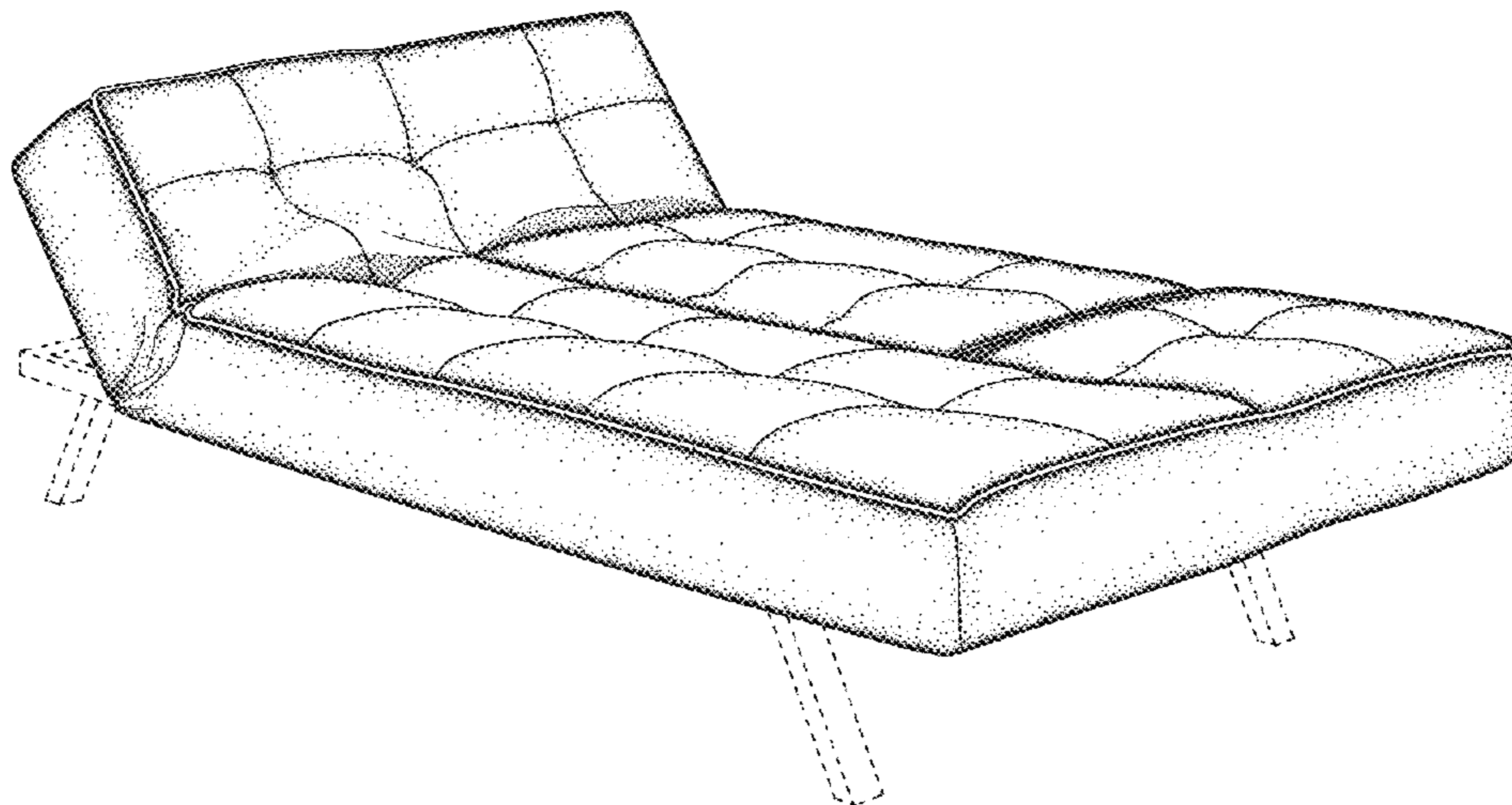
Primary Examiner — Sandra Snapp

(74) *Attorney, Agent, or Firm* — Jackson Walker L.L.P.

(57) **CLAIM**

The ornamental design for a convertible sofa bed with chaise lounge and other multiple positions, as shown and described.

1 Claim, 17 Drawing Sheets



(56)

References Cited

U.S. PATENT DOCUMENTS

D446,962 S * 8/2001 Mourgue D6/381
D498,075 S * 11/2004 Mourgue D6/381
D603,618 S * 11/2009 Weiss D6/381
D610,366 S * 2/2010 Kanthasamy D6/381
D614,419 S * 4/2010 Andersen D6/381

D621,174 S * 8/2010 Kanthasamy D6/381
D635,791 S * 4/2011 Kanthasamy D6/381
D635,793 S * 4/2011 Kanthasamy D6/381
D635,794 S * 4/2011 Kanthasamy D6/381
D675,460 S * 2/2013 Kanthasamy D6/381
D676,680 S * 2/2013 Arko et al. D6/334
D681,366 S * 5/2013 Kanthasamy D6/381
D686,003 S * 7/2013 Arko et al. D6/334

* cited by examiner

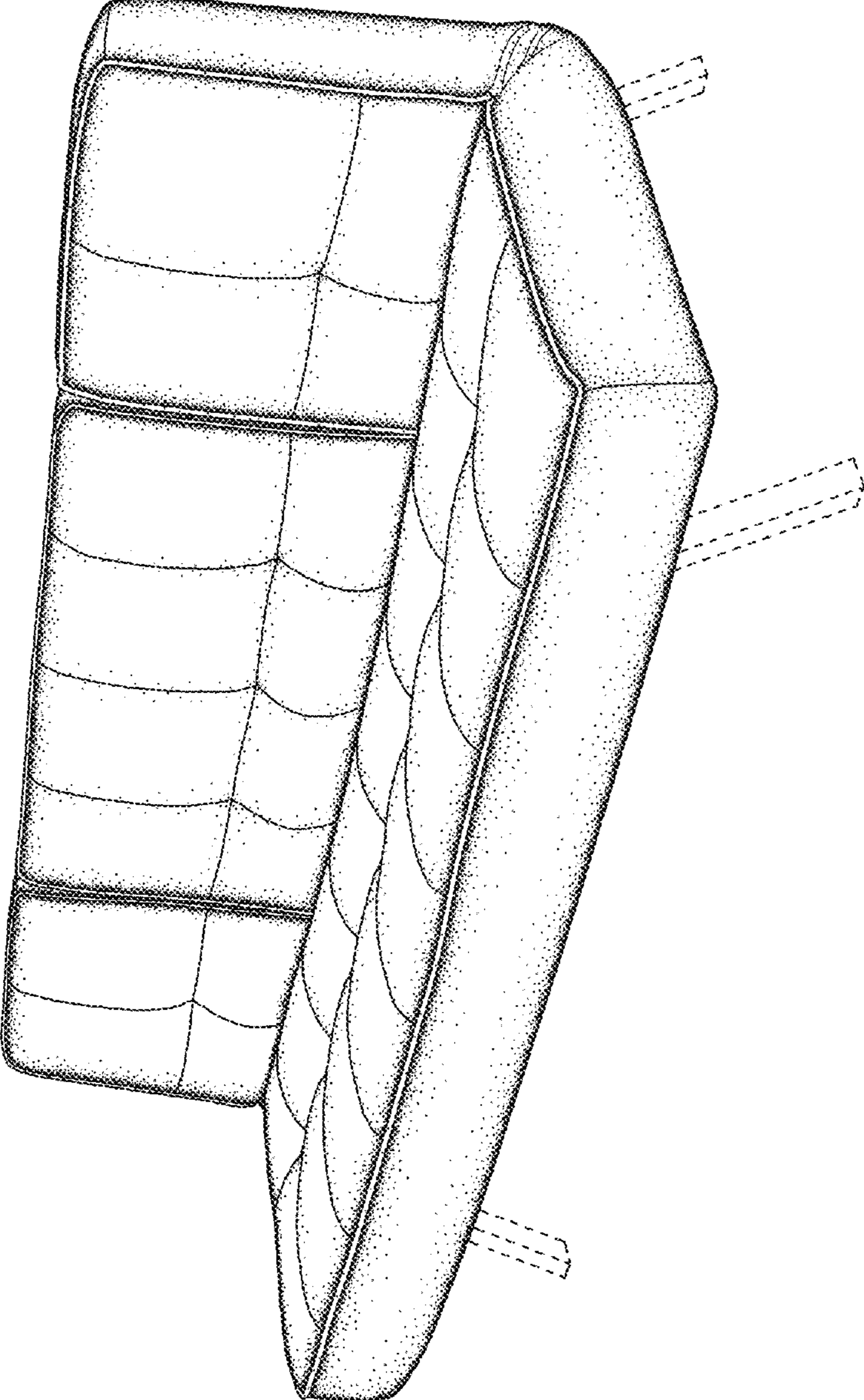


FIG. 1

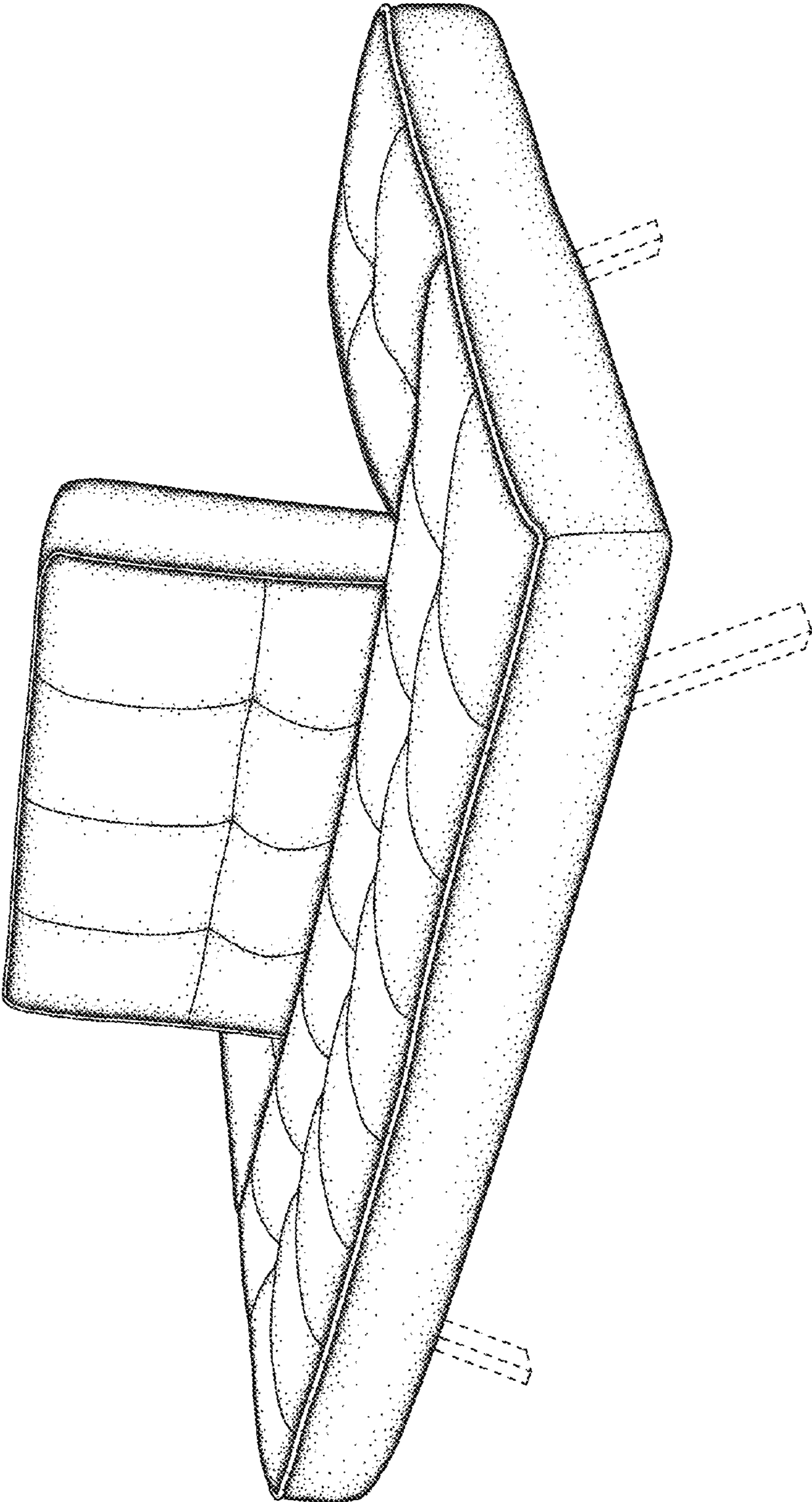


FIG. 2

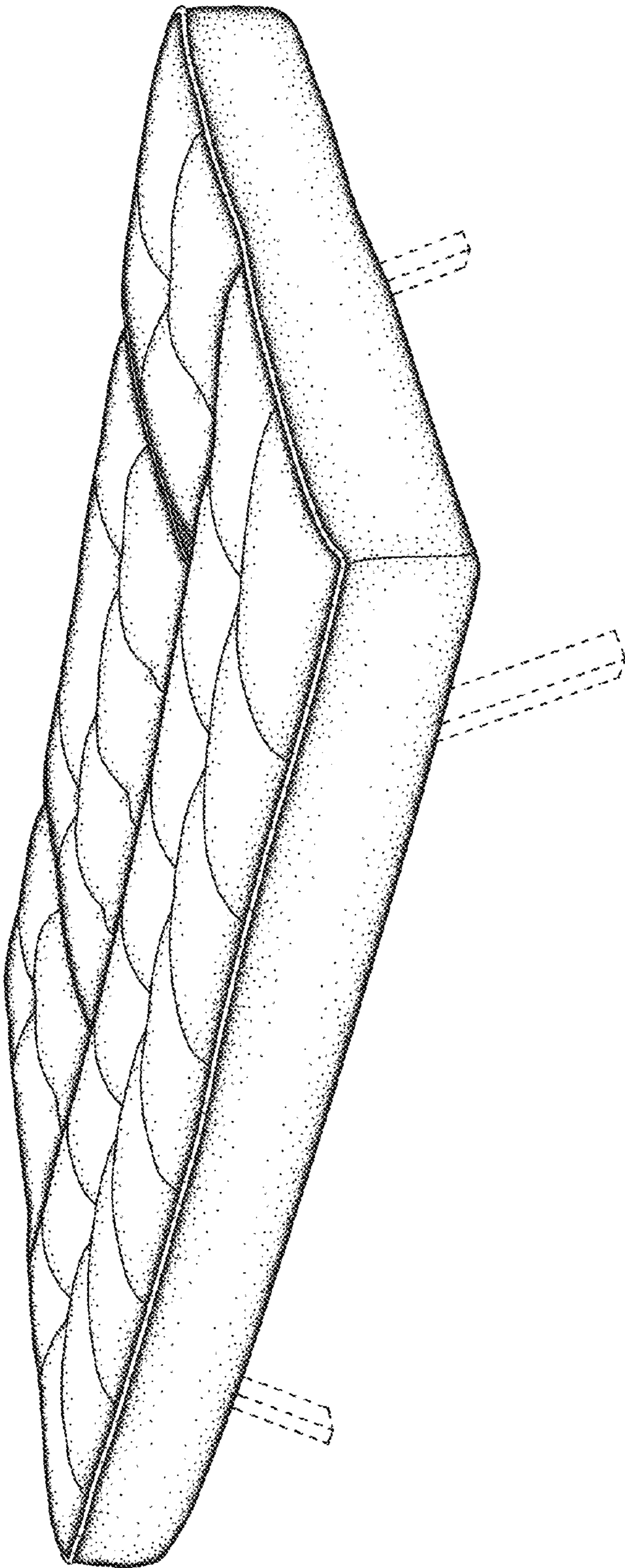


FIG. 3

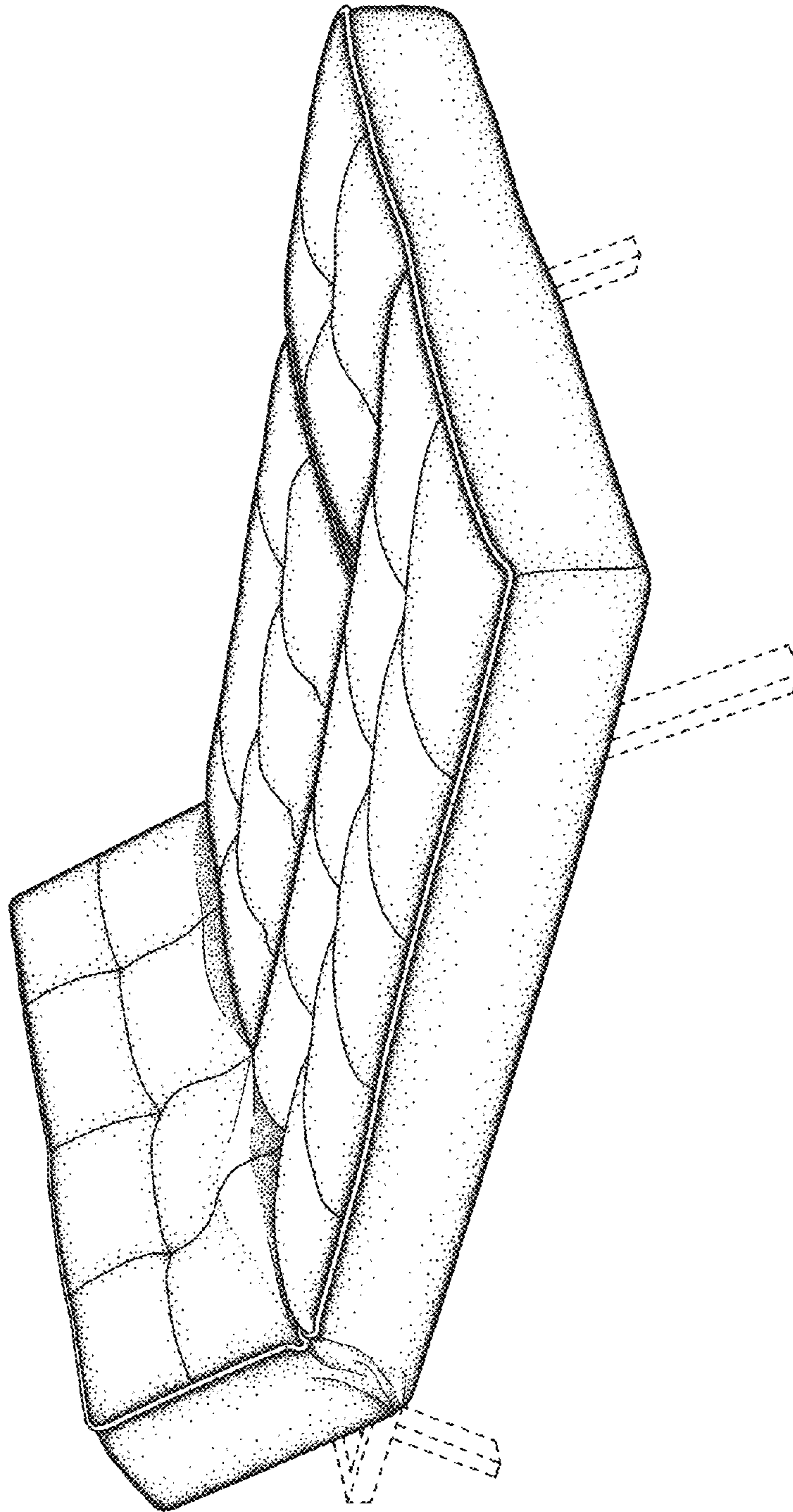


FIG. 4

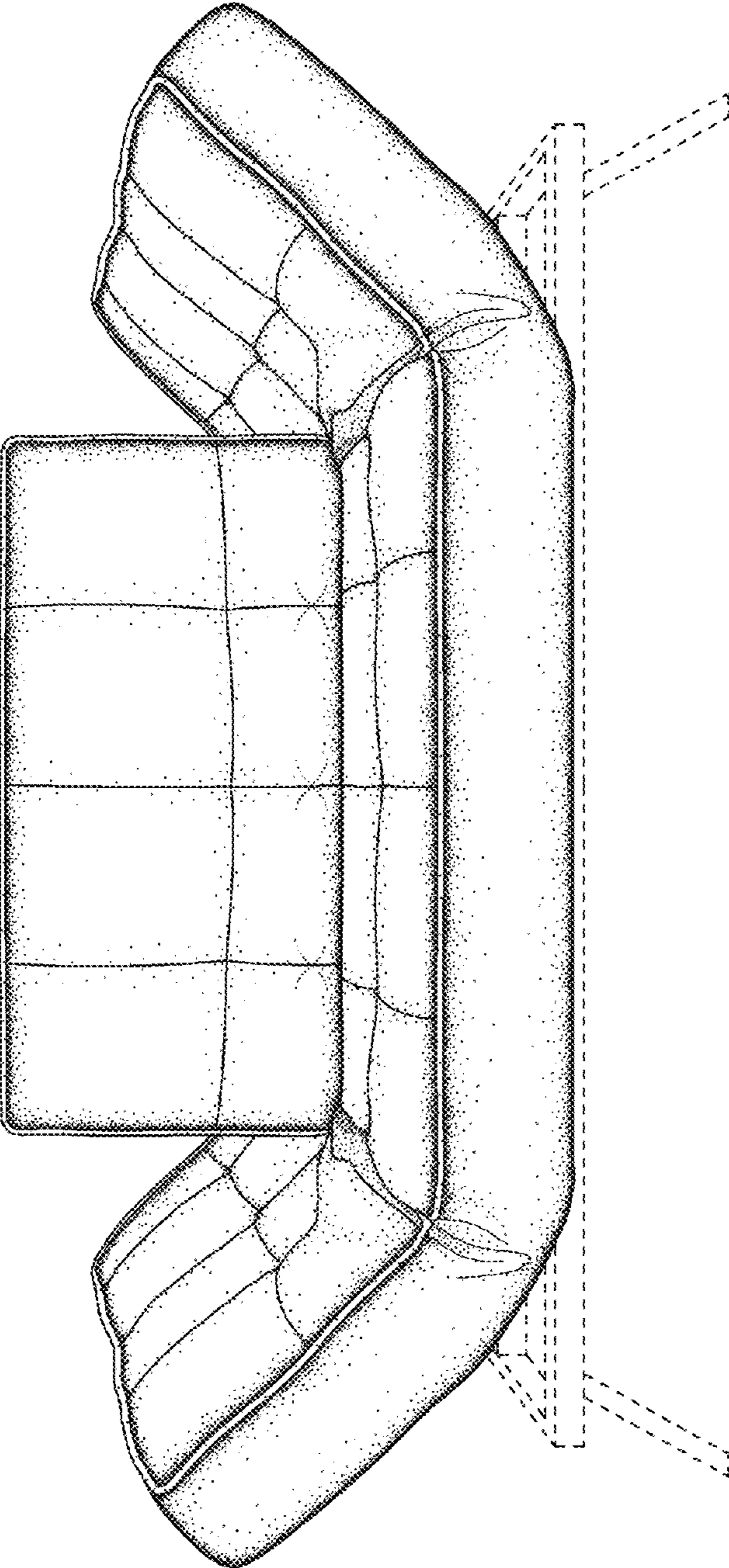


FIG. 5

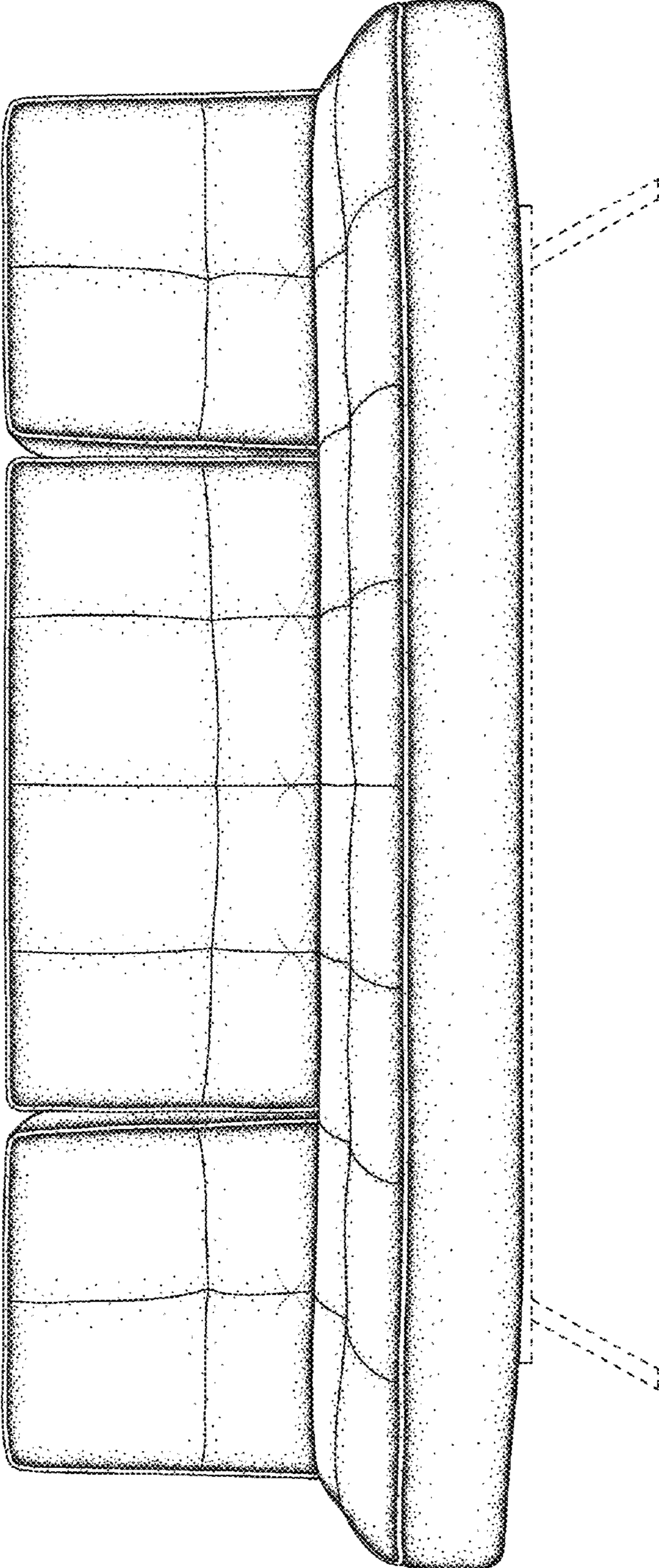


FIG. 6

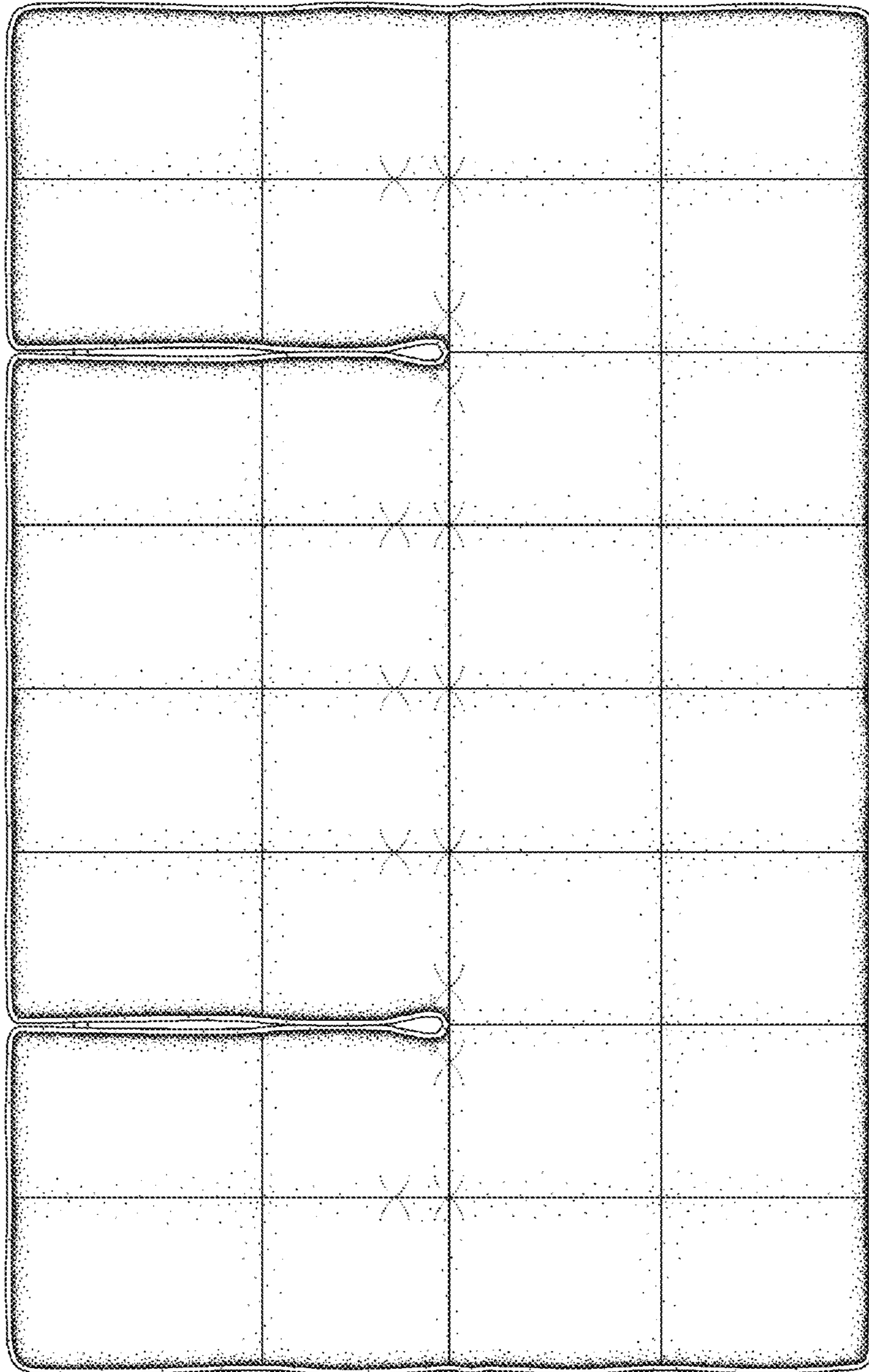


FIG. 7

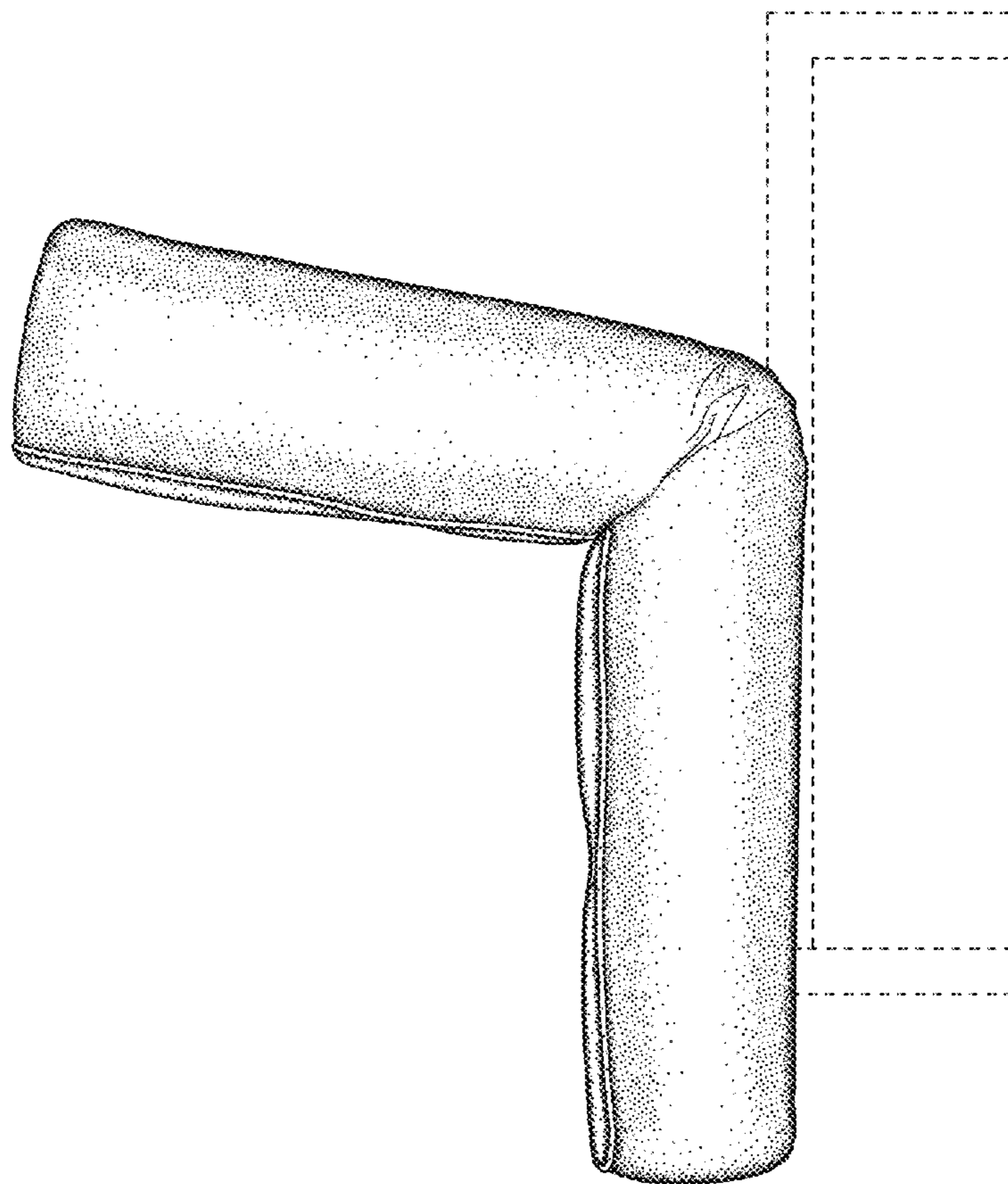


FIG. 8

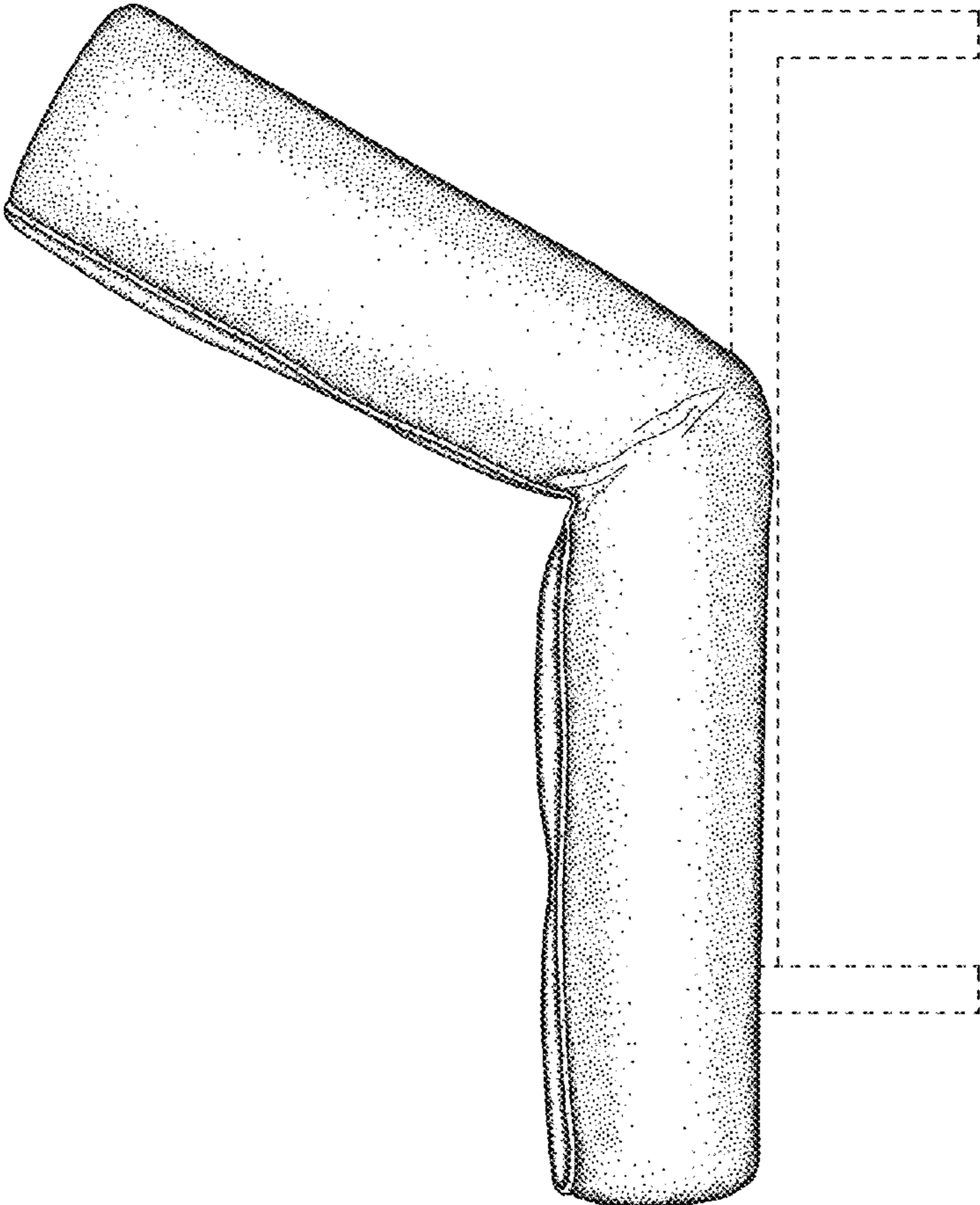


FIG. 9

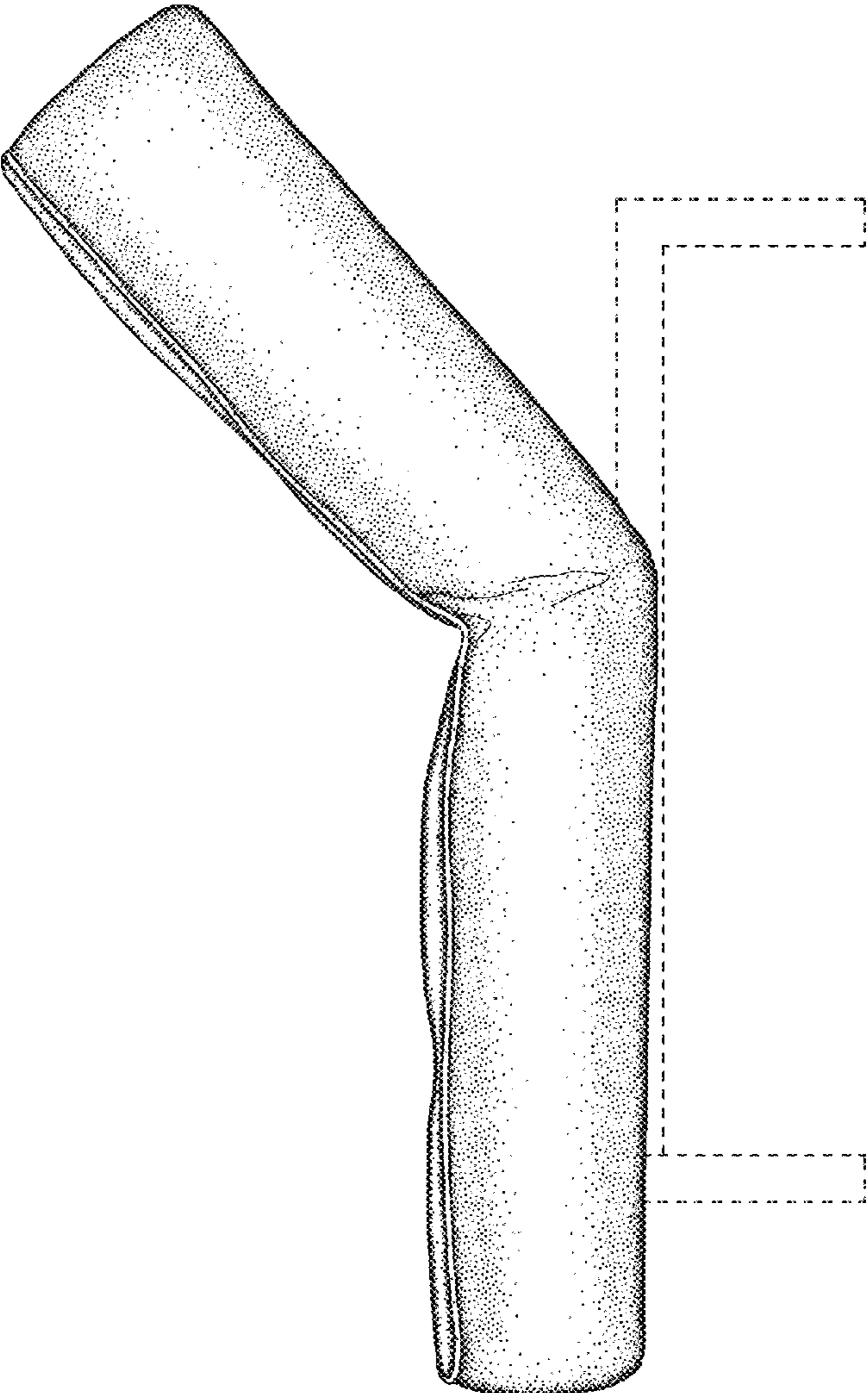


FIG. 10

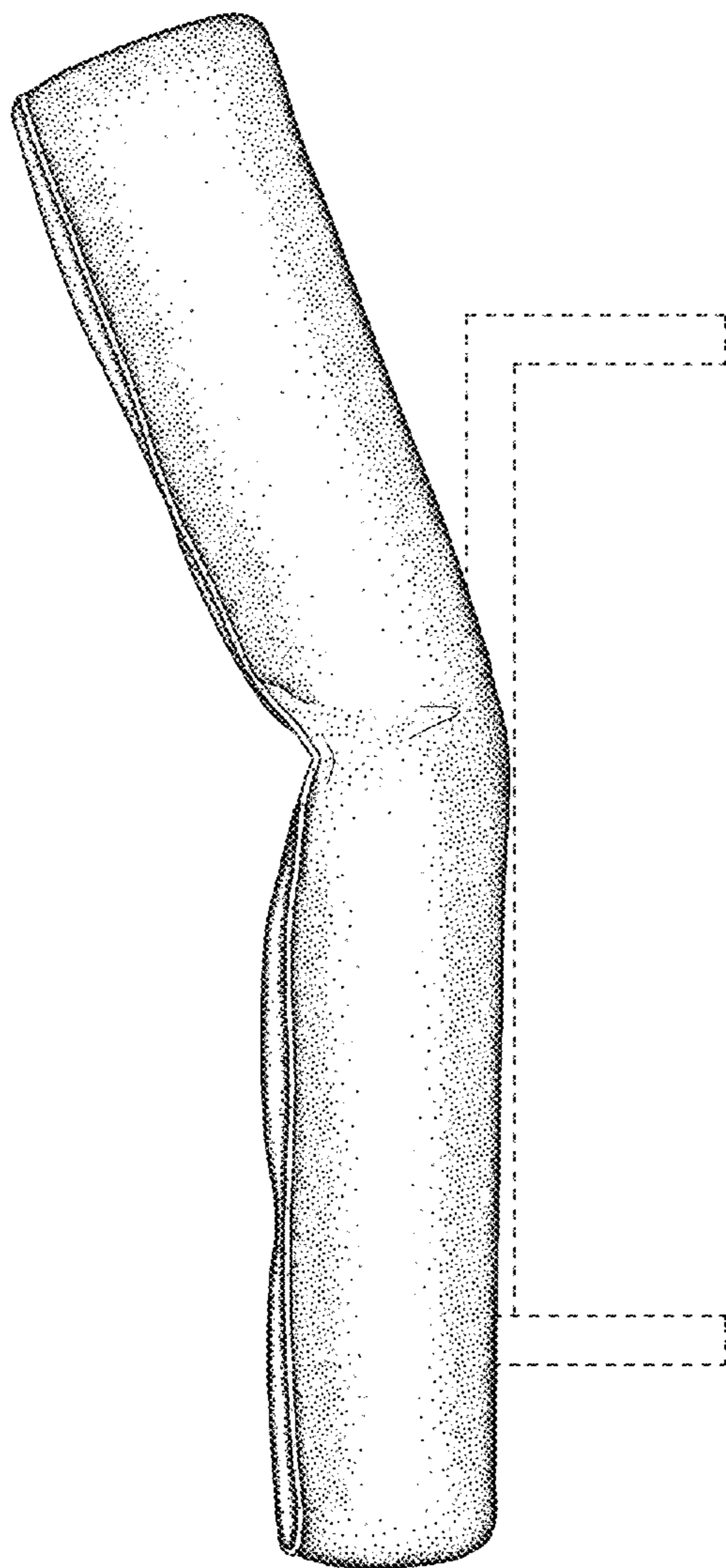


FIG. 11

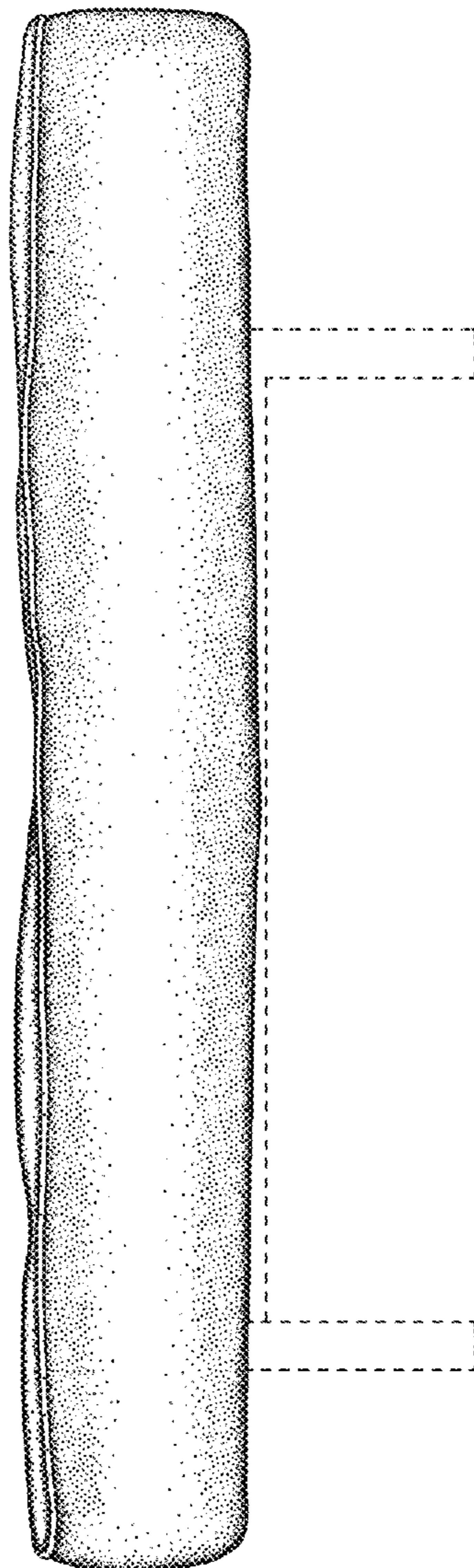


FIG. 12

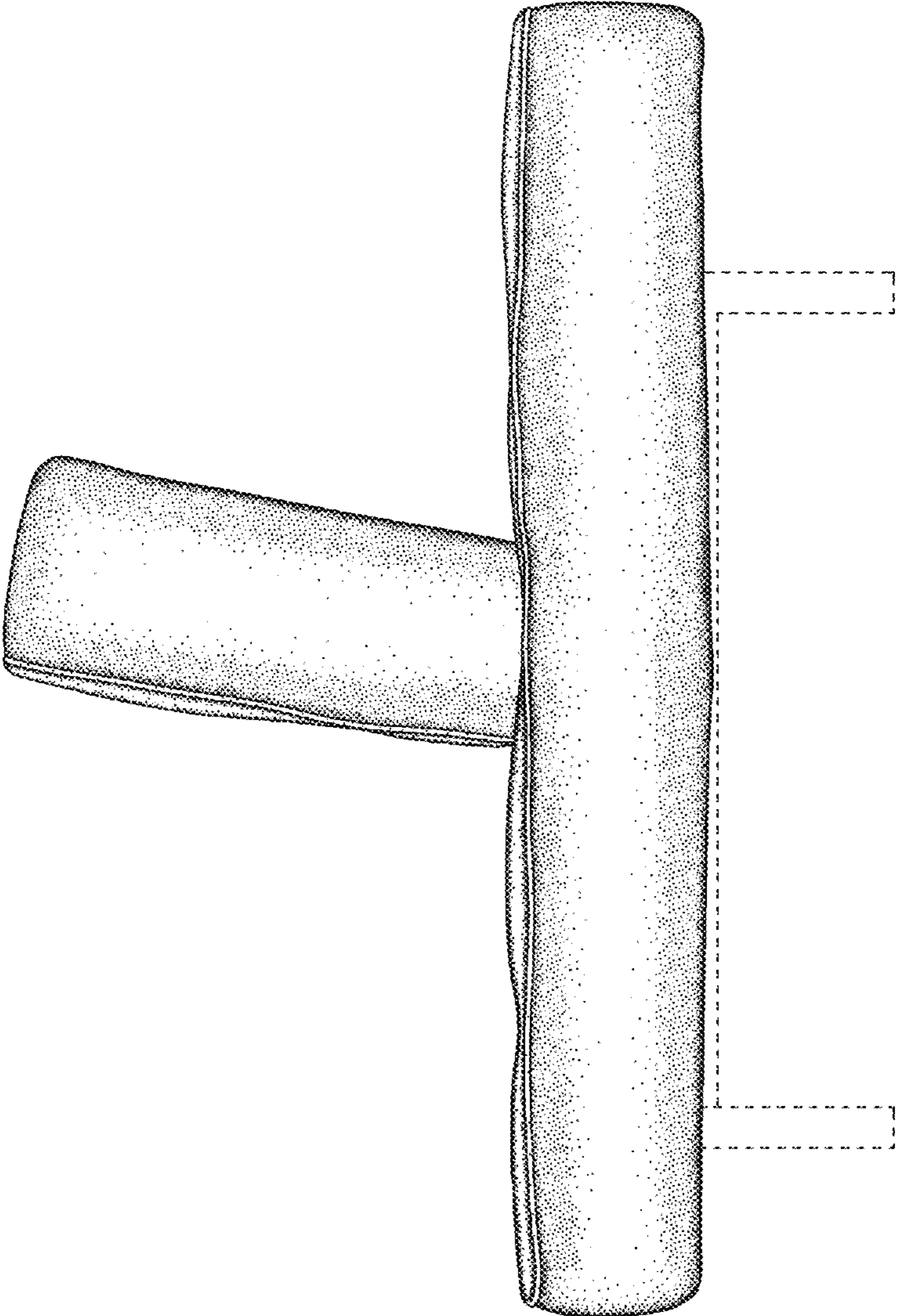


FIG. 13

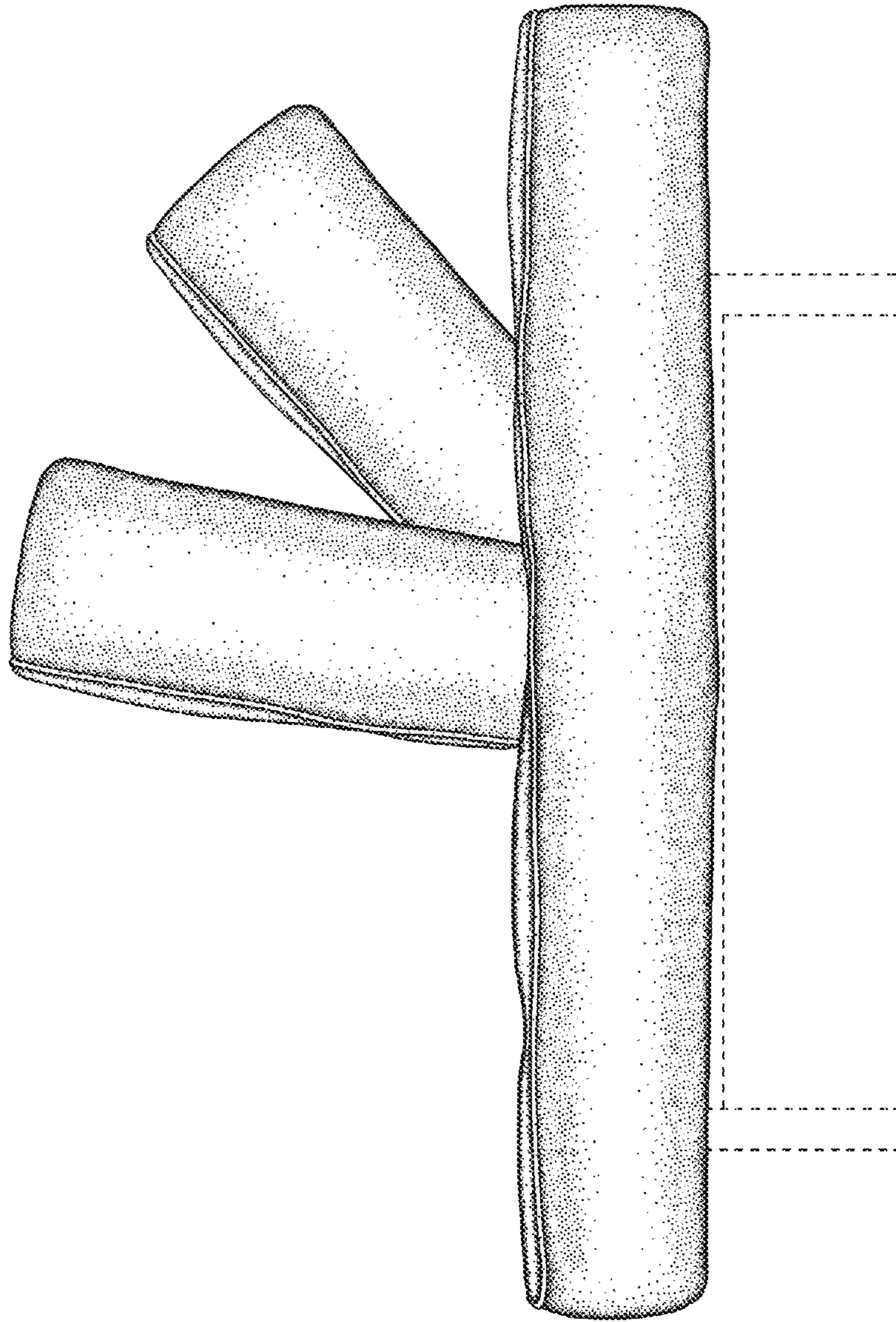


FIG. 14

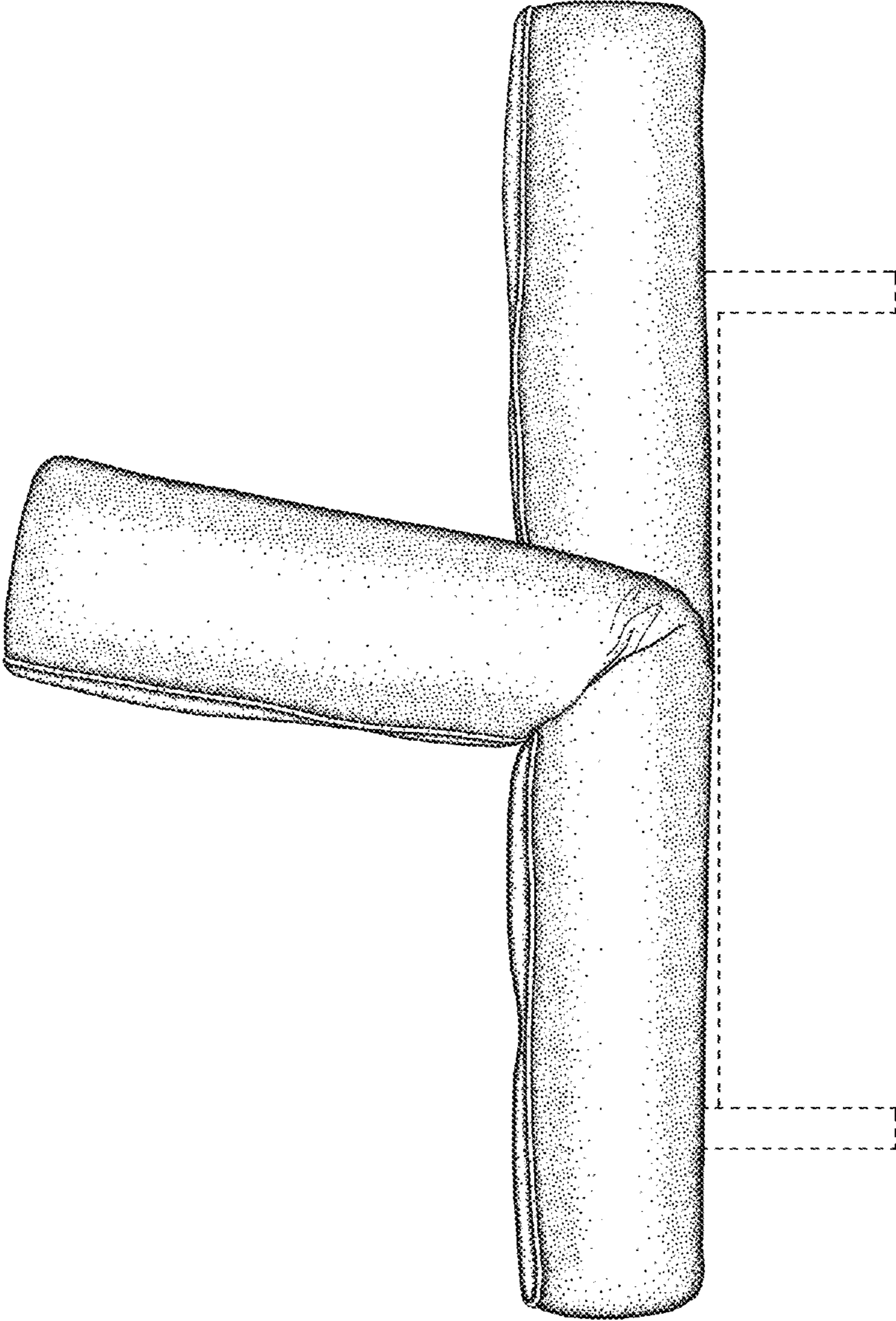


FIG. 15

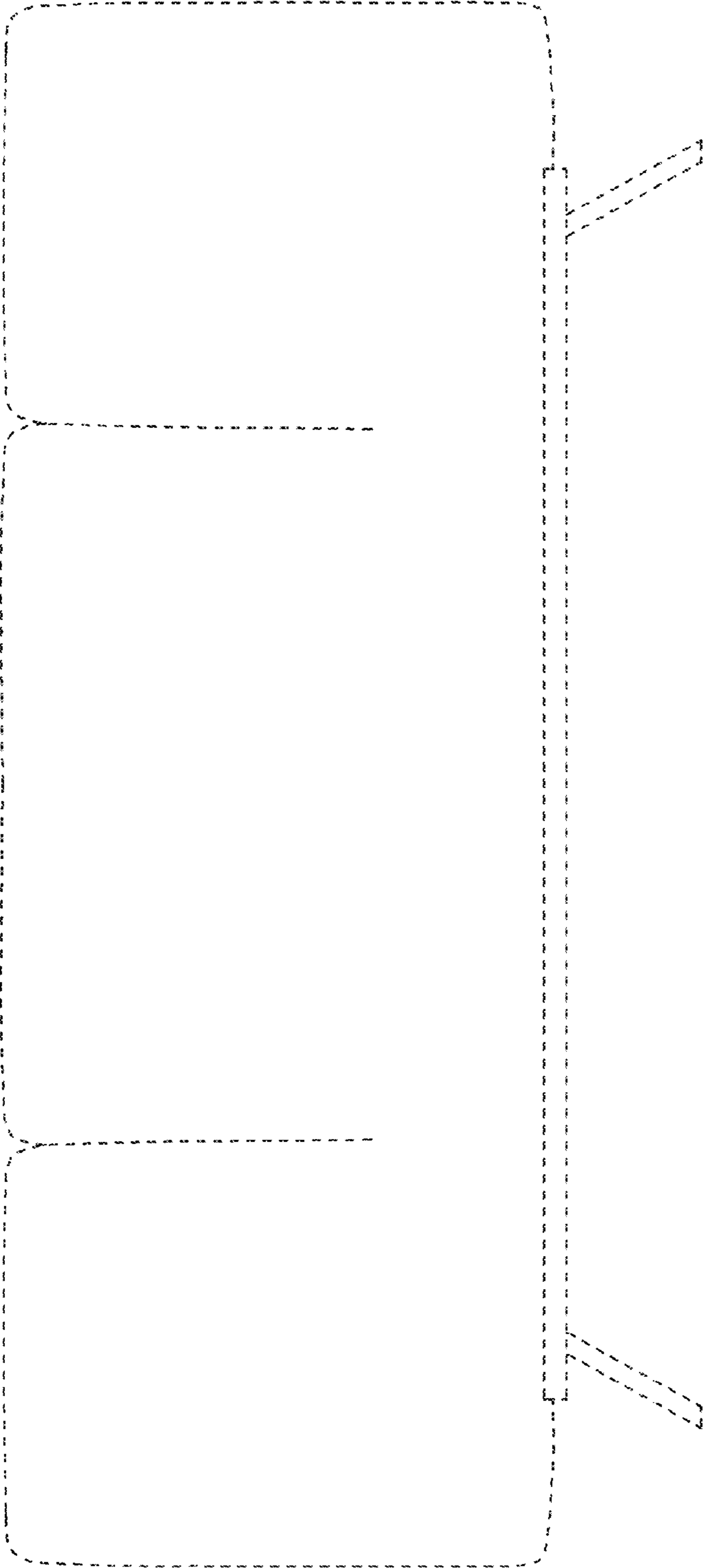


FIG. 16

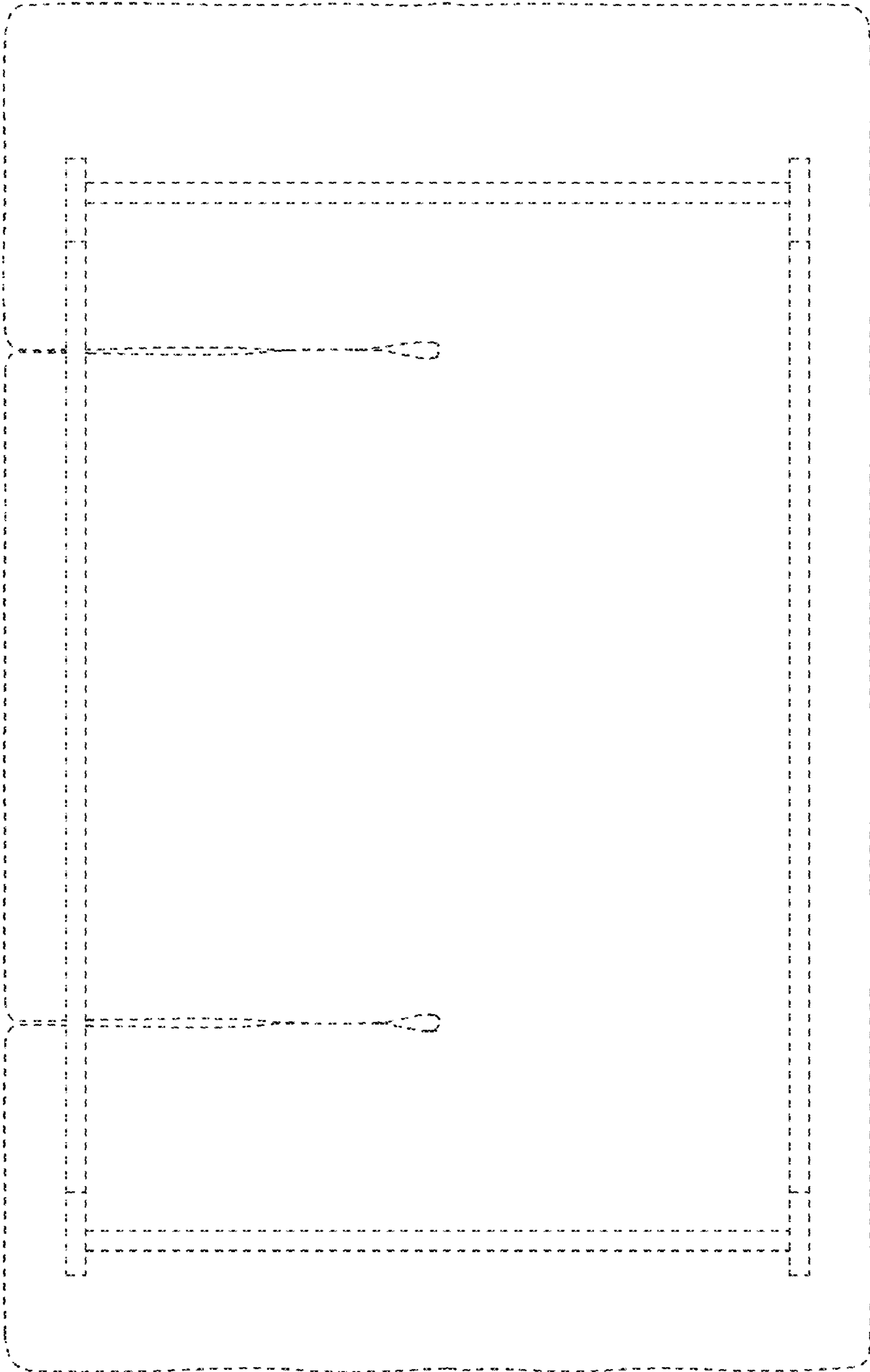


FIG. 17