



US00D719754S

(12) **United States Design Patent**
Pathiratne

(10) **Patent No.:** **US D719,754 S**
(45) **Date of Patent:** **** Dec. 23, 2014**

(54) **CONVERTIBLE SOFA BED WITH SEPARATE PULL-OUT BED**

DESCRIPTION

(71) Applicant: **Lifestyle Solutions, Inc.**, Fremont, CA (US)

(72) Inventor: **Sean Pathiratne**, San Jose, CA (US)

(73) Assignee: **Lifestyle Solutions, Inc.**, Fremont, CA (US)

(**) Term: **14 Years**

(21) Appl. No.: **29/484,276**

(22) Filed: **Mar. 7, 2014**

(51) **LOC (10) Cl.** **06-01**

(52) **U.S. Cl.**
USPC **D6/381**

(58) **Field of Classification Search**

CPC A47C 17/00; A47C 17/02; A47C 17/12;
A47C 17/18; A47C 7/021; A47C 31/00;
A47C 3/16

USPC D6/334, 335, 336, 379, 381, 369;
297/94, 118, 232, 445.1, 448.1, DIG. 7

See application file for complete search history.

(56) **References Cited**

U.S. PATENT DOCUMENTS

D498,075 S	*	11/2004	Mourgue	D6/381
D603,617 S	*	11/2009	Weiss	D6/381
D603,618 S	*	11/2009	Weiss	D6/381
D621,174 S	*	8/2010	Kanhasamy	D6/381
RE43,754 E	*	10/2012	Andersen	D6/381
D677,070 S	*	3/2013	Kanhasamy	D6/381
D677,071 S	*	3/2013	Kanhasamy	D6/381

* cited by examiner

Primary Examiner — Sandra Snapp

(74) *Attorney, Agent, or Firm* — Jackson Walker L.L.P.

(57) **CLAIM**

The ornamental design for a convertible sofa bed with separate pull-out bed, as shown and described.

FIG. 1 is a front perspective view of the convertible sofa bed, with separate pull-out bed, being in a sofa position;

FIG. 2 is a front perspective view of the convertible sofa bed, with separate pull-out bed, with the seat back being in a bed position;

FIG. 3 is a front perspective view of the convertible sofa bed, with separate pull-out bed, with the seat back being in a bed position and the separate pull-out bed in the process of being set up;

FIG. 4 is a front perspective view of the convertible sofa bed, with separate pull-out bed, with the seat back being in a bed position and the separate pull-out bed in the process of being set up;

FIG. 5 is a front perspective view of the convertible sofa bed, with separate pull-out bed, with the seat back being in a bed position and the separate pull-out bed in a set up bed position;

FIG. 6 is a front perspective view of the convertible sofa bed, with separate pull-out bed, with the seat back being in a lounge position and the separate pull-out bed in a set up bed position;

FIG. 7 is a front view of the convertible sofa bed, with separate pull-out bed, being in a sofa position;

FIG. 8 is a back view of the convertible sofa bed, with separate pull-out bed, being in a sofa position;

FIG. 9 is a side view of the convertible sofa bed, with separate pull-out bed, being in a sofa position;

FIG. 10 is a side view of the convertible sofa bed, with separate pull-out bed, being in a sofa position

FIG. 11 is a side view of the convertible sofa bed, with separate pull-out bed, with the seat back positioned between a sofa position and a bed position;

FIG. 12 is a side view of the convertible sofa bed, with separate pull-out bed, with the seat back positioned between a sofa position and a bed position;

FIG. 13 is a side view of the convertible sofa bed, with separate pull-out bed with the seat back positioned between a sofa position and a bed position;

FIG. 14 is a side view of the convertible sofa bed, with separate pull-out bed, with the seat back in a bed position;

FIG. 15 is a top view of the convertible sofa bed, with separate pull-out bed, with the seat back being in a bed position and the separate pull-out bed in a set up bed position;

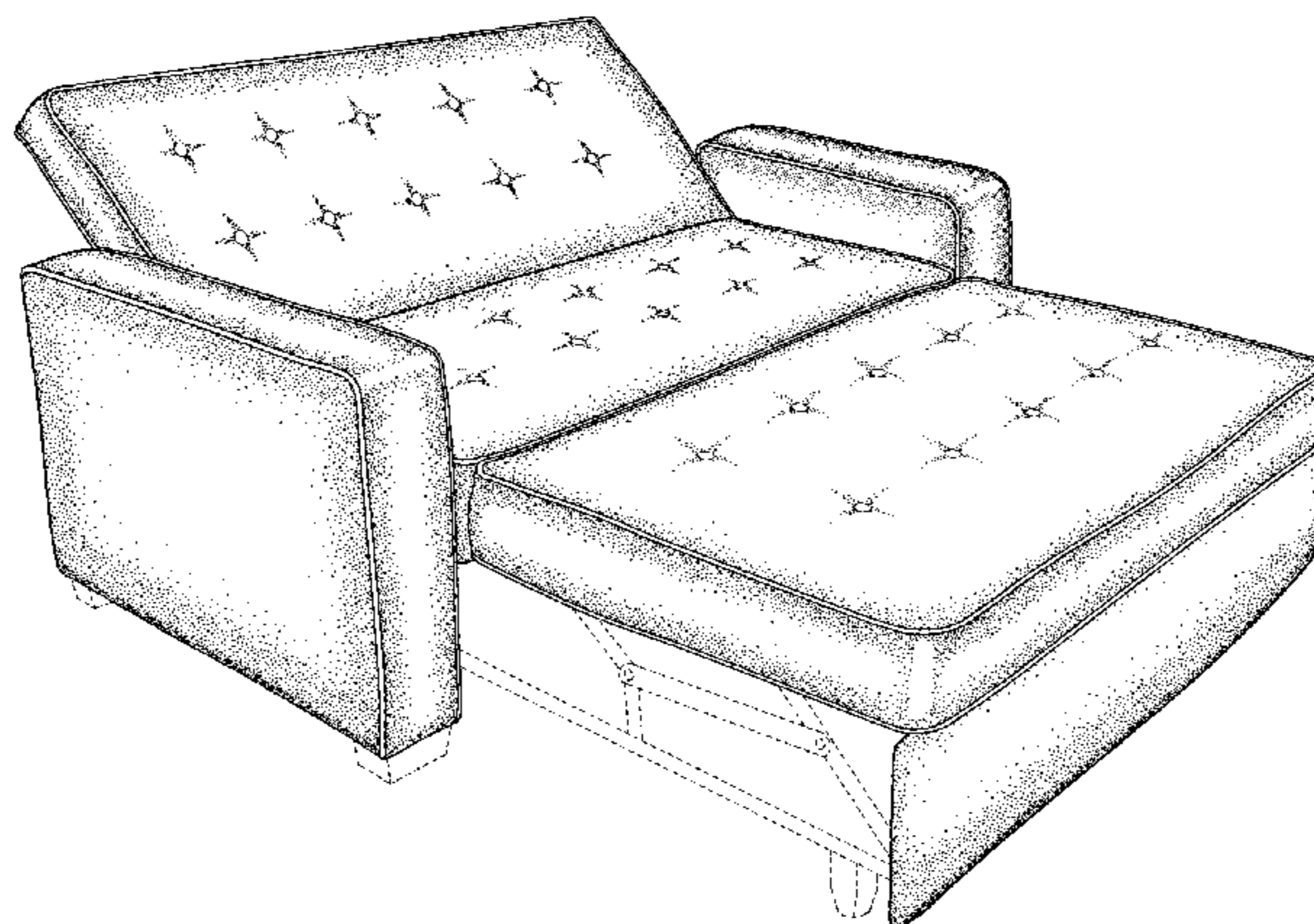


FIG. **16** is a bottom view of the convertible sofa bed, with separate pull-out bed, with the seat back being in a bed position and the separate pull-out bed in a set up bed position;
FIG. **17** is a front perspective view of the convertible sofa bed, with separate pull-out bed, being in a sofa position, without cording; and,

FIG. **18** is a front perspective view of the convertible sofa bed, with separate pull-out bed, being in a sofa position; without cording and without decorative buttons on the cushions. The broken lines shown in the drawings are for illustrative purposes only and form no part of the claimed design.

1 Claim, 14 Drawing Sheets

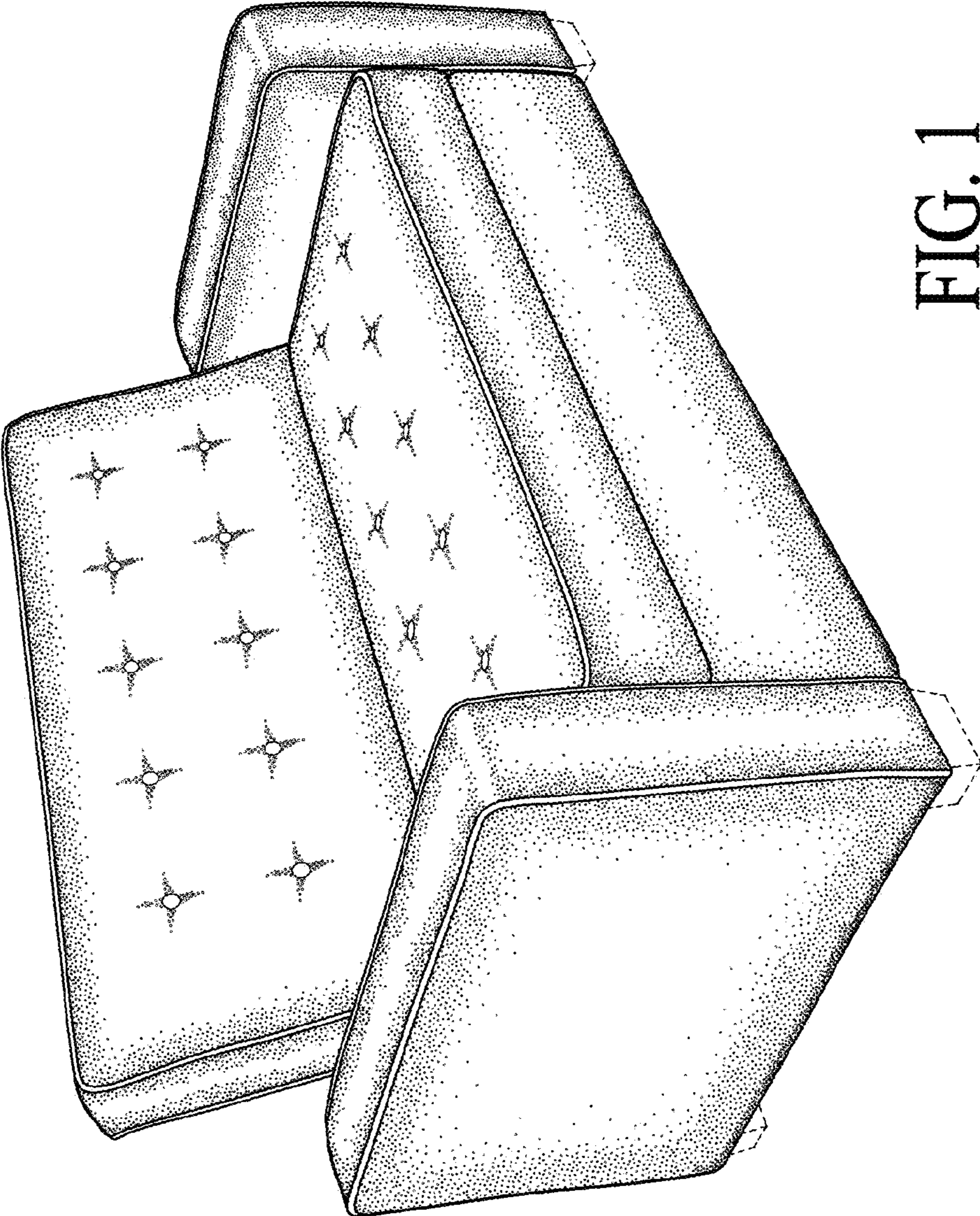


FIG. 1

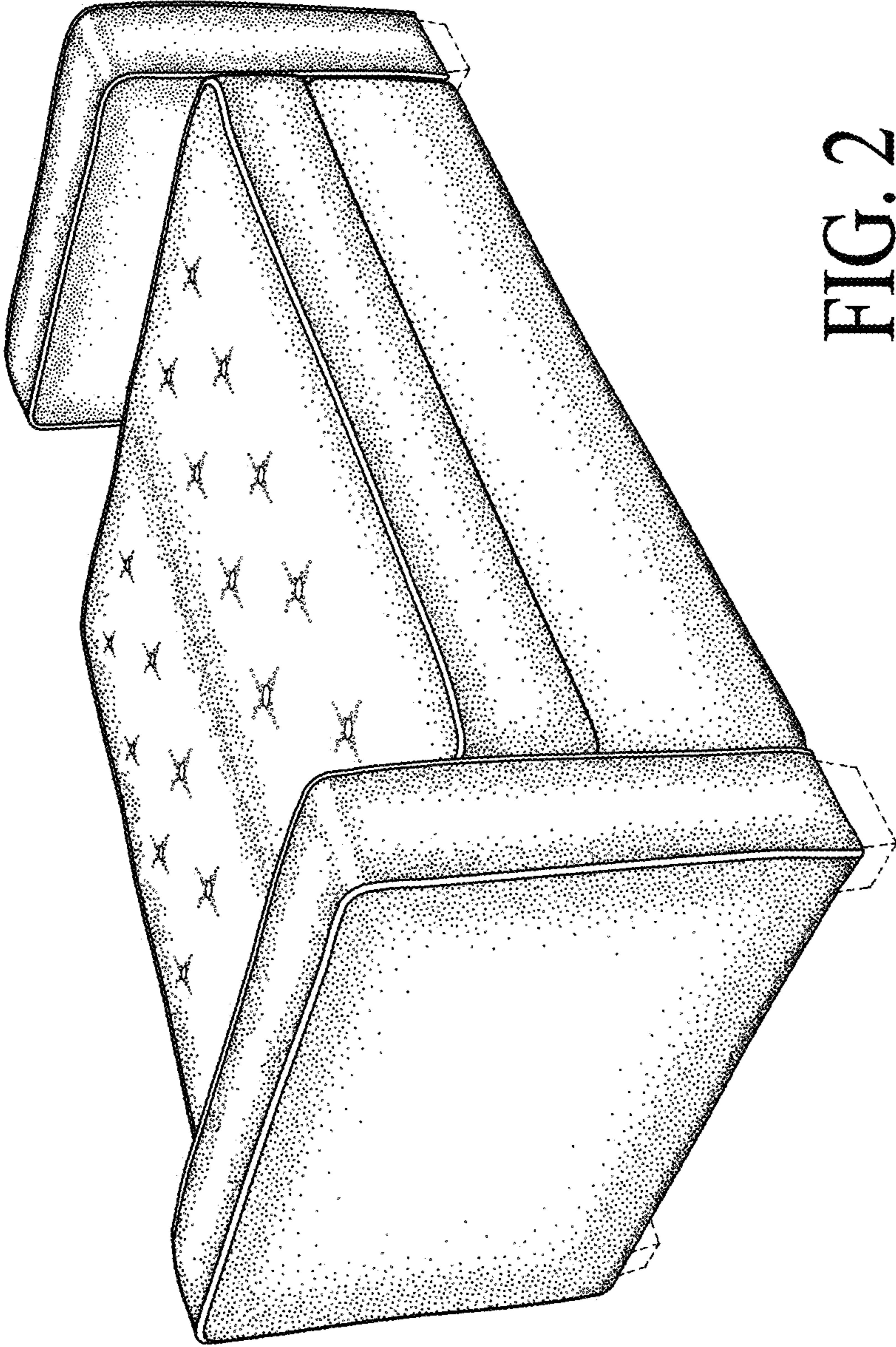


FIG. 2

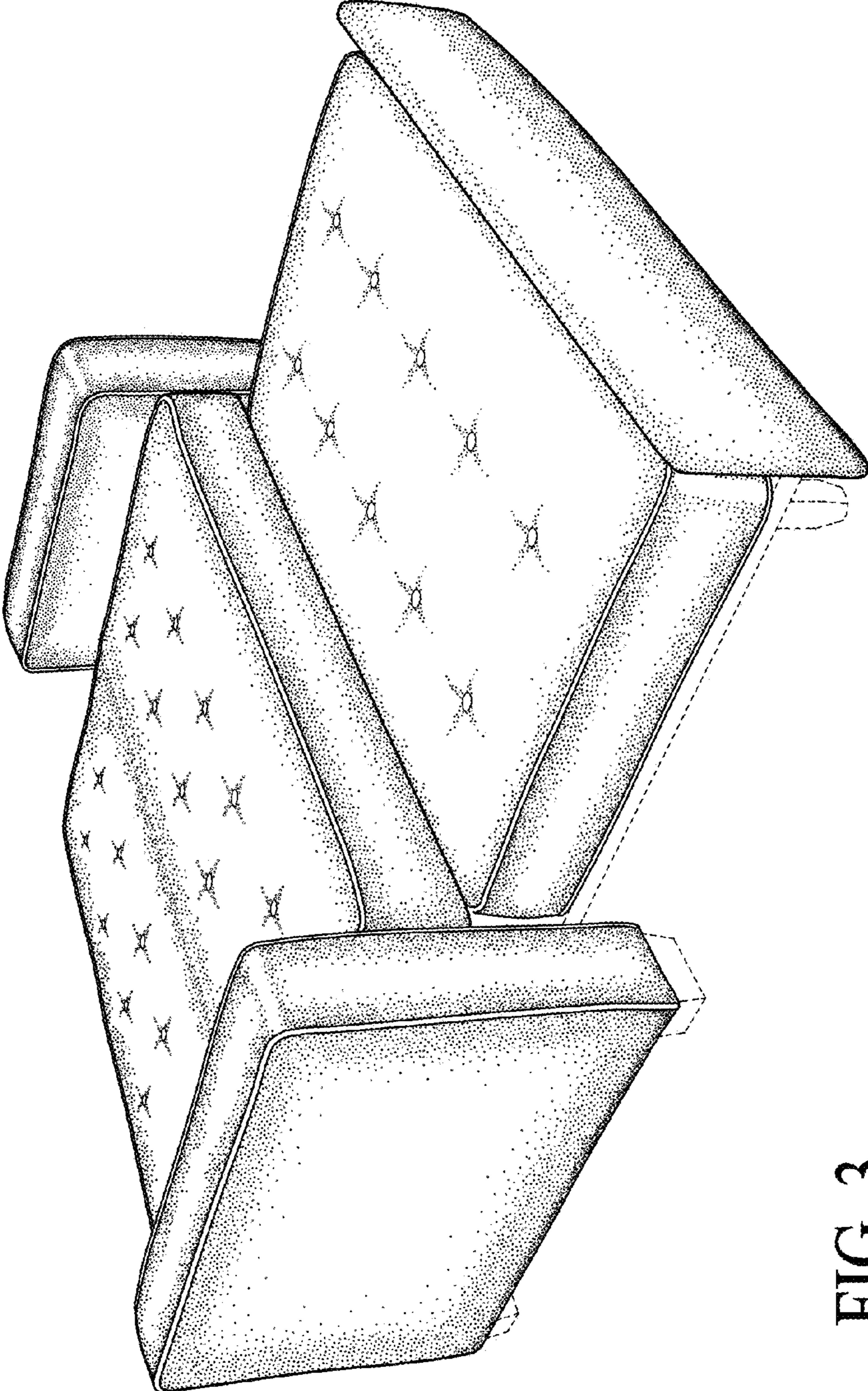


FIG. 3

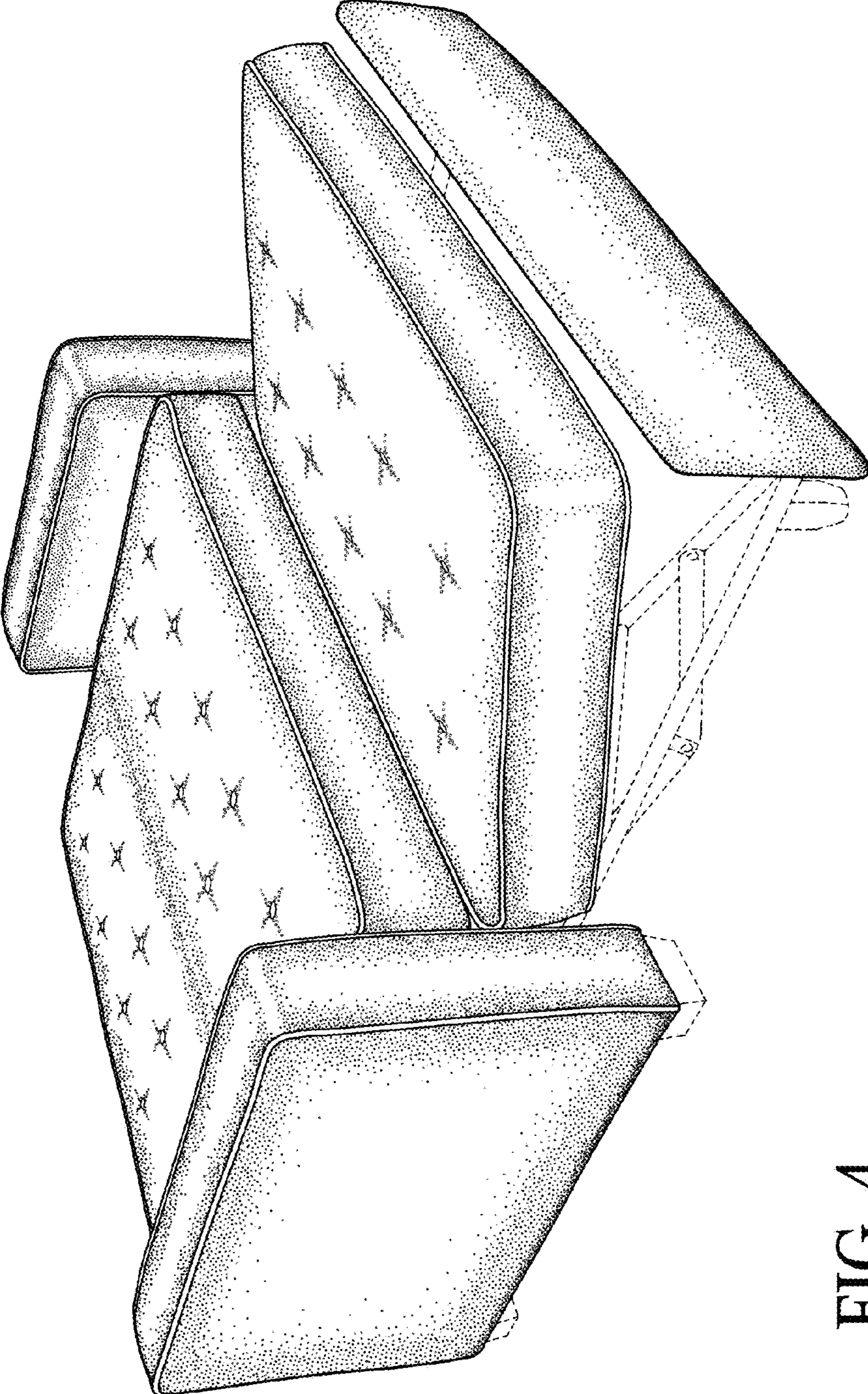


FIG. 4

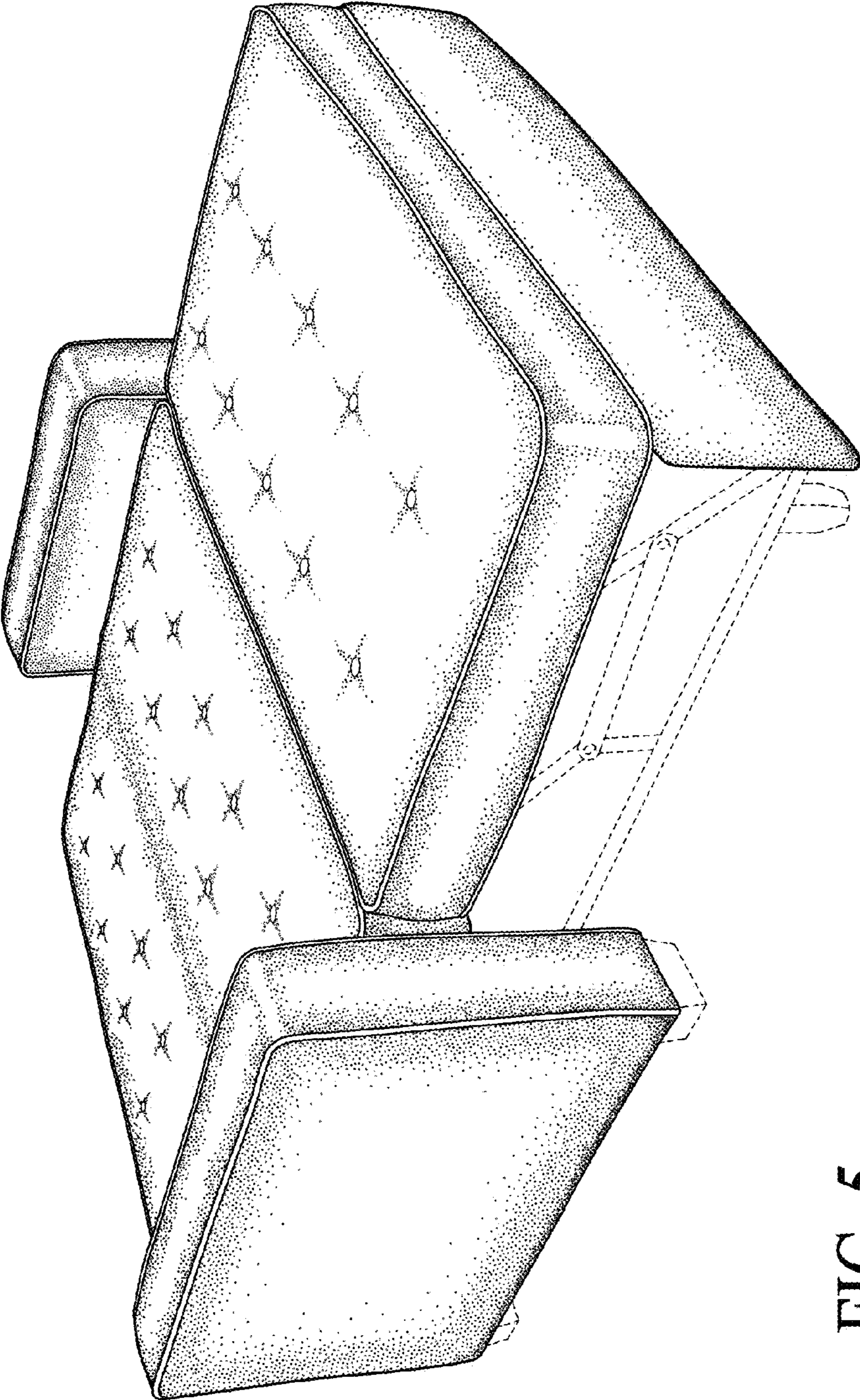


FIG. 5

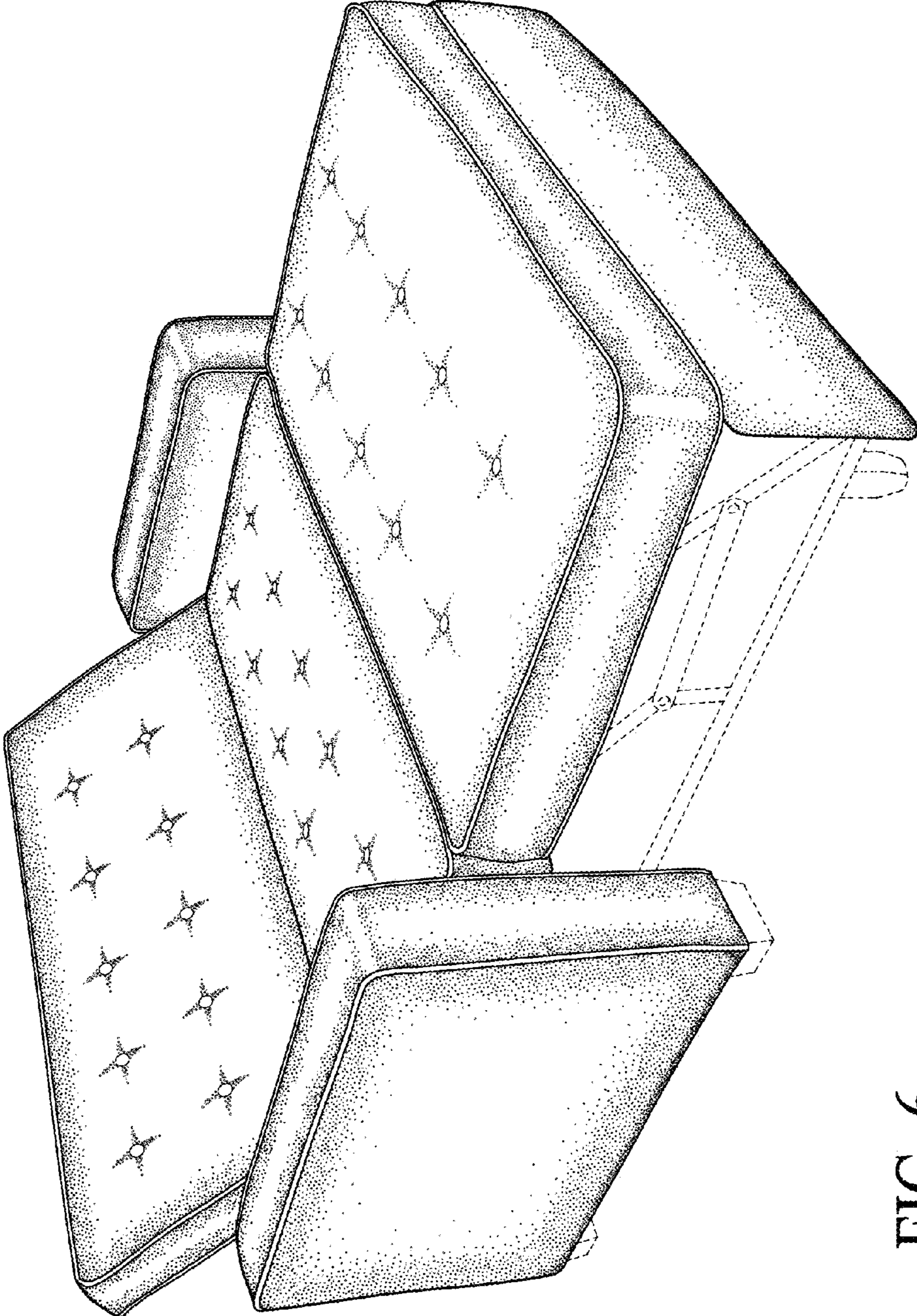


FIG. 6

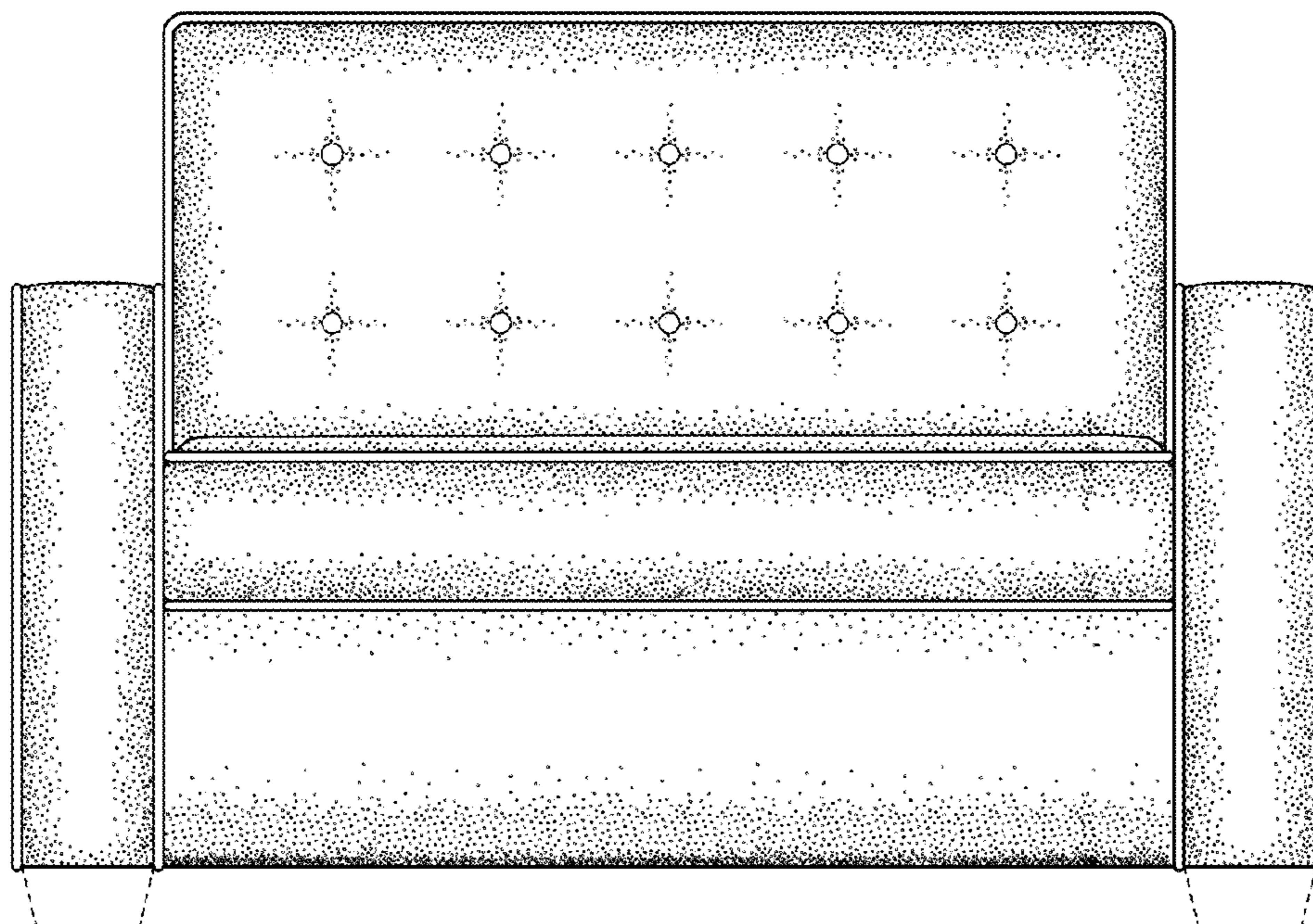


FIG. 7



FIG. 8

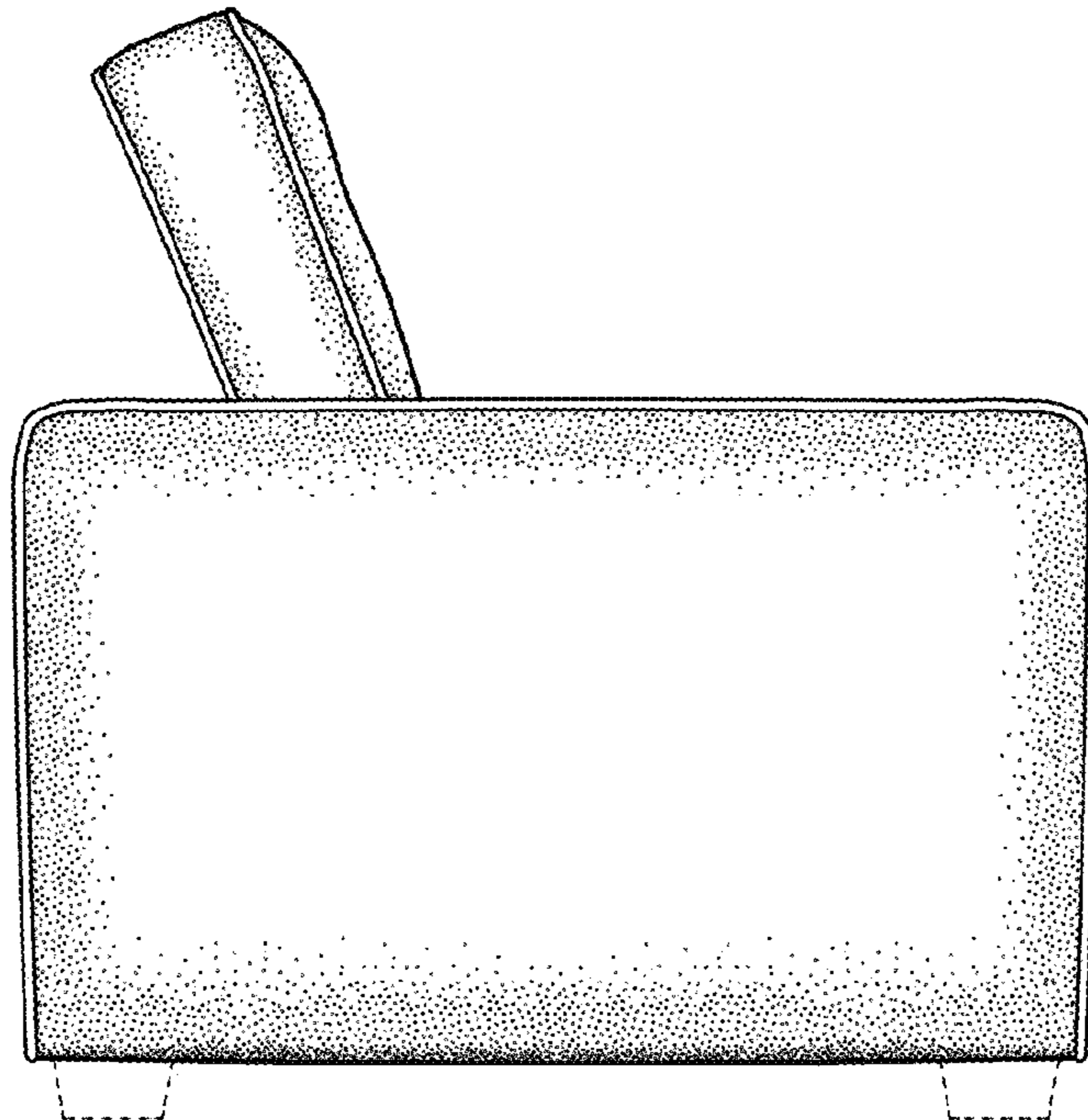


FIG. 9

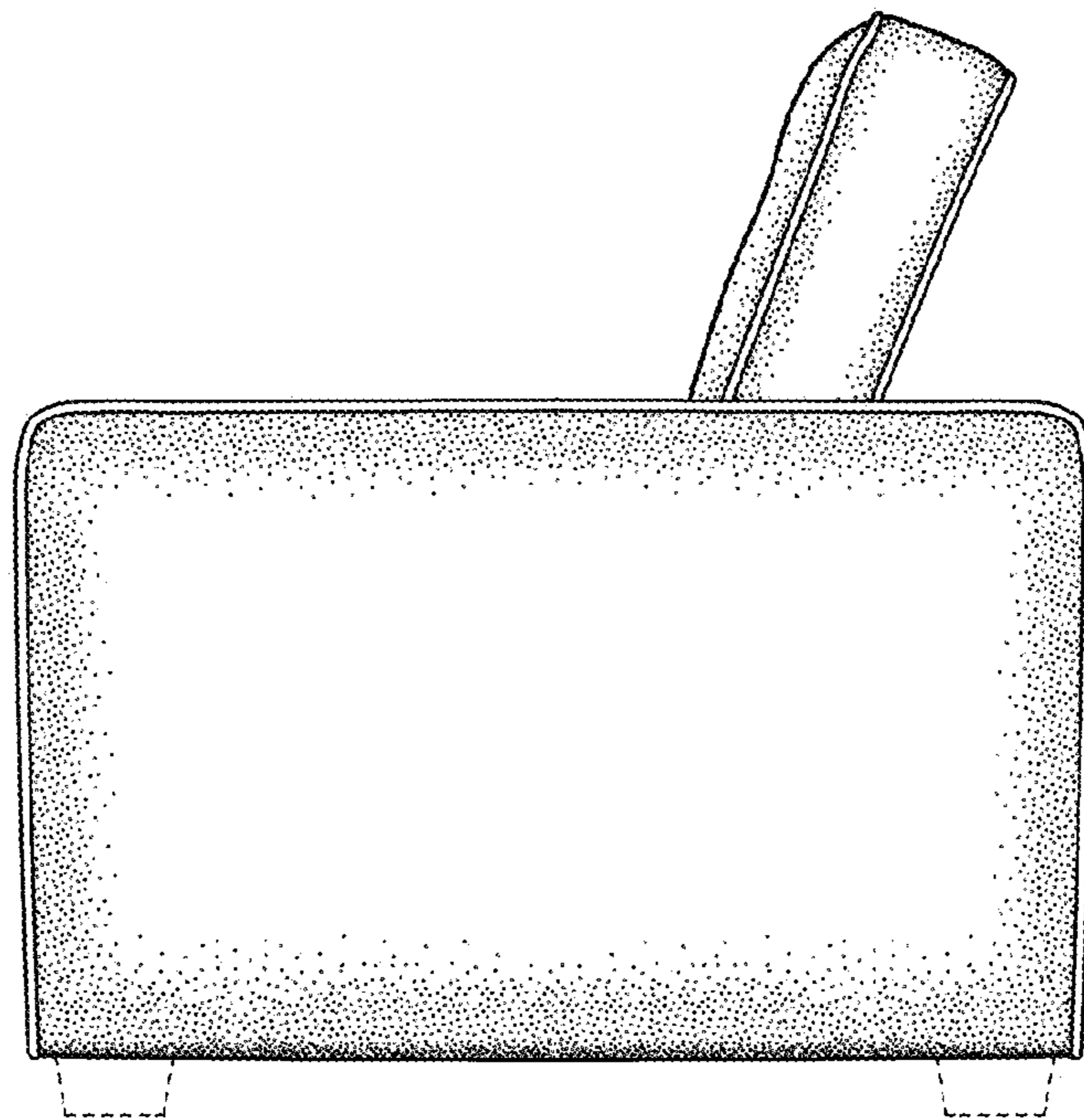


FIG. 10

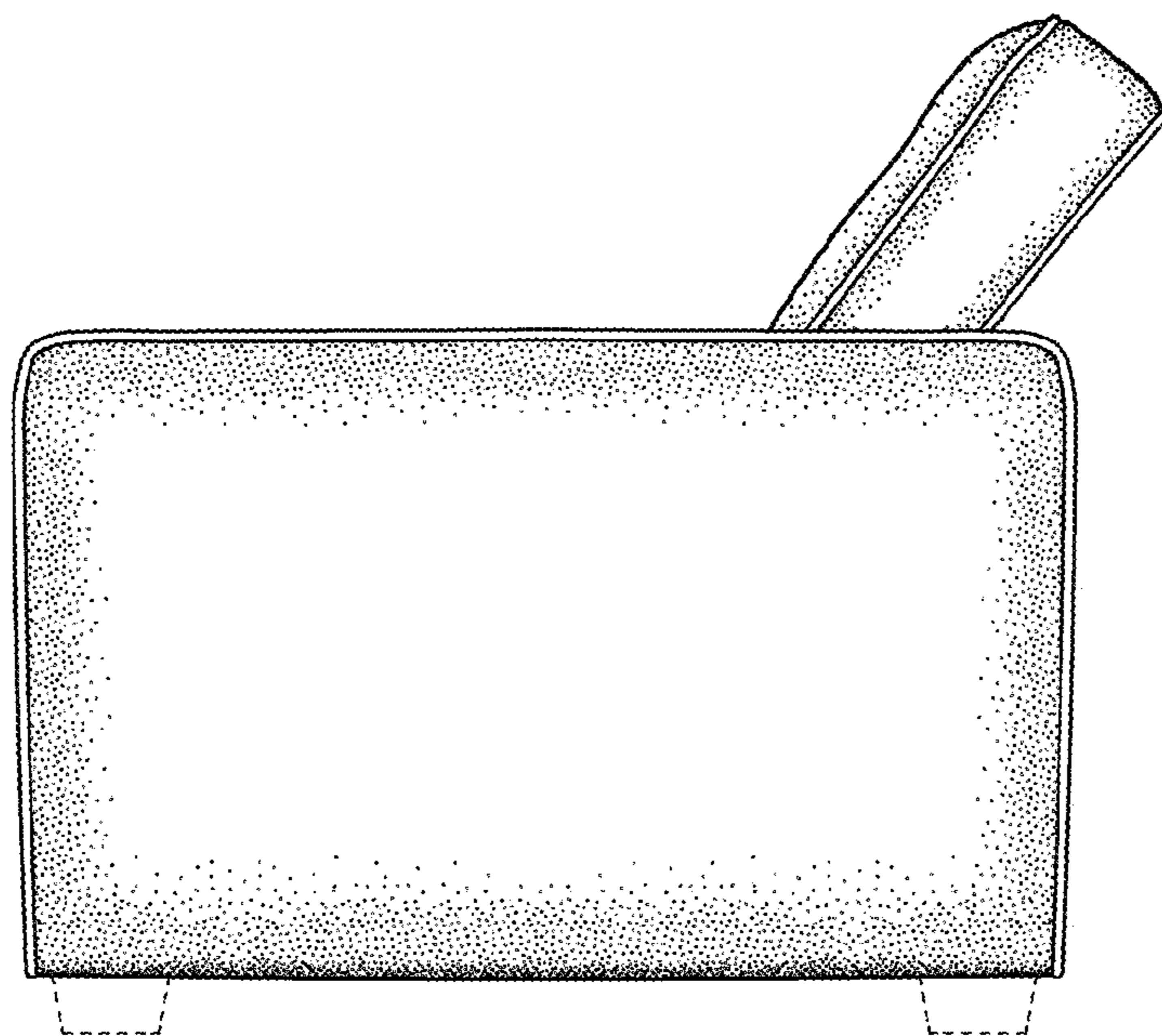


FIG. 11

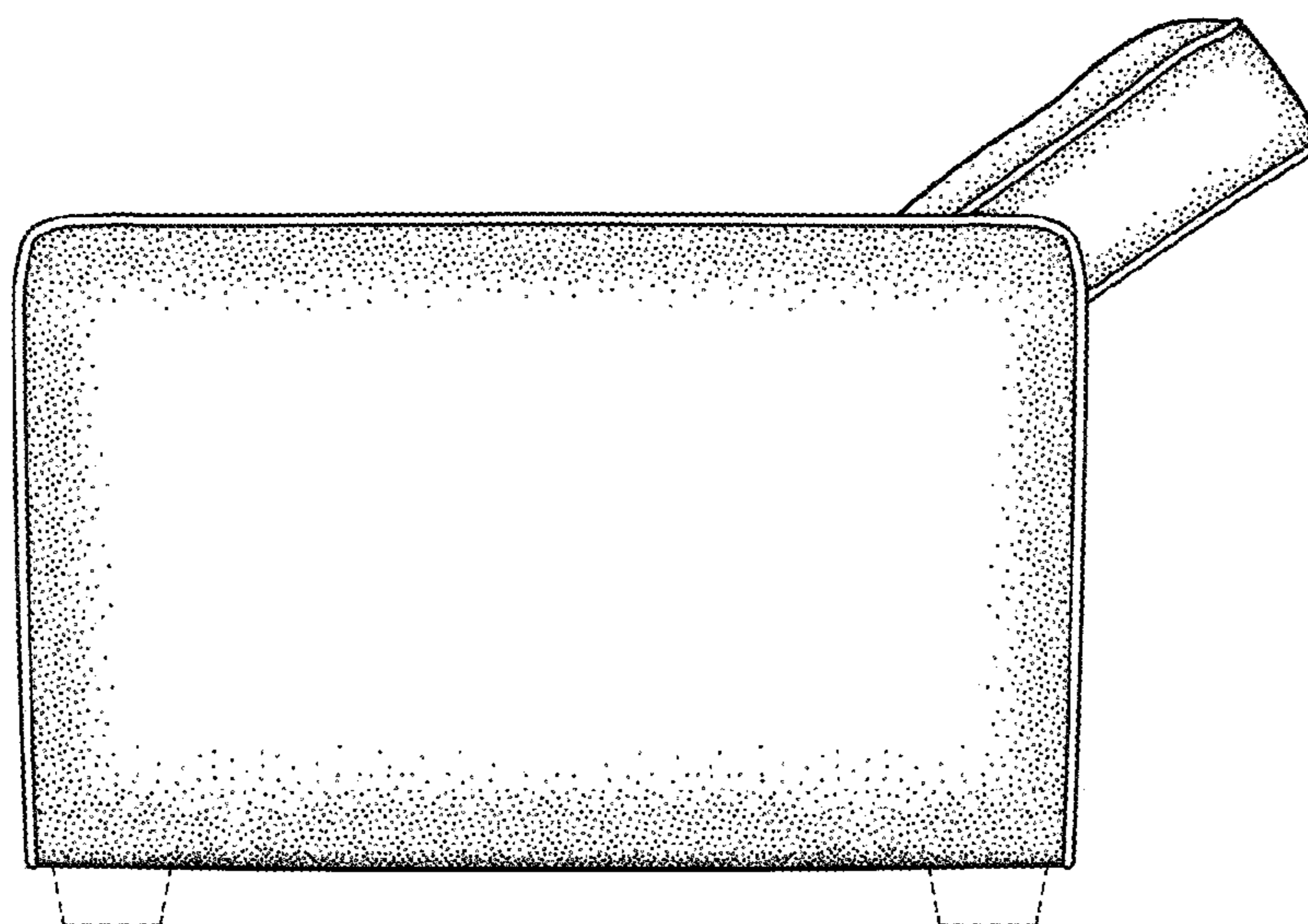


FIG. 12

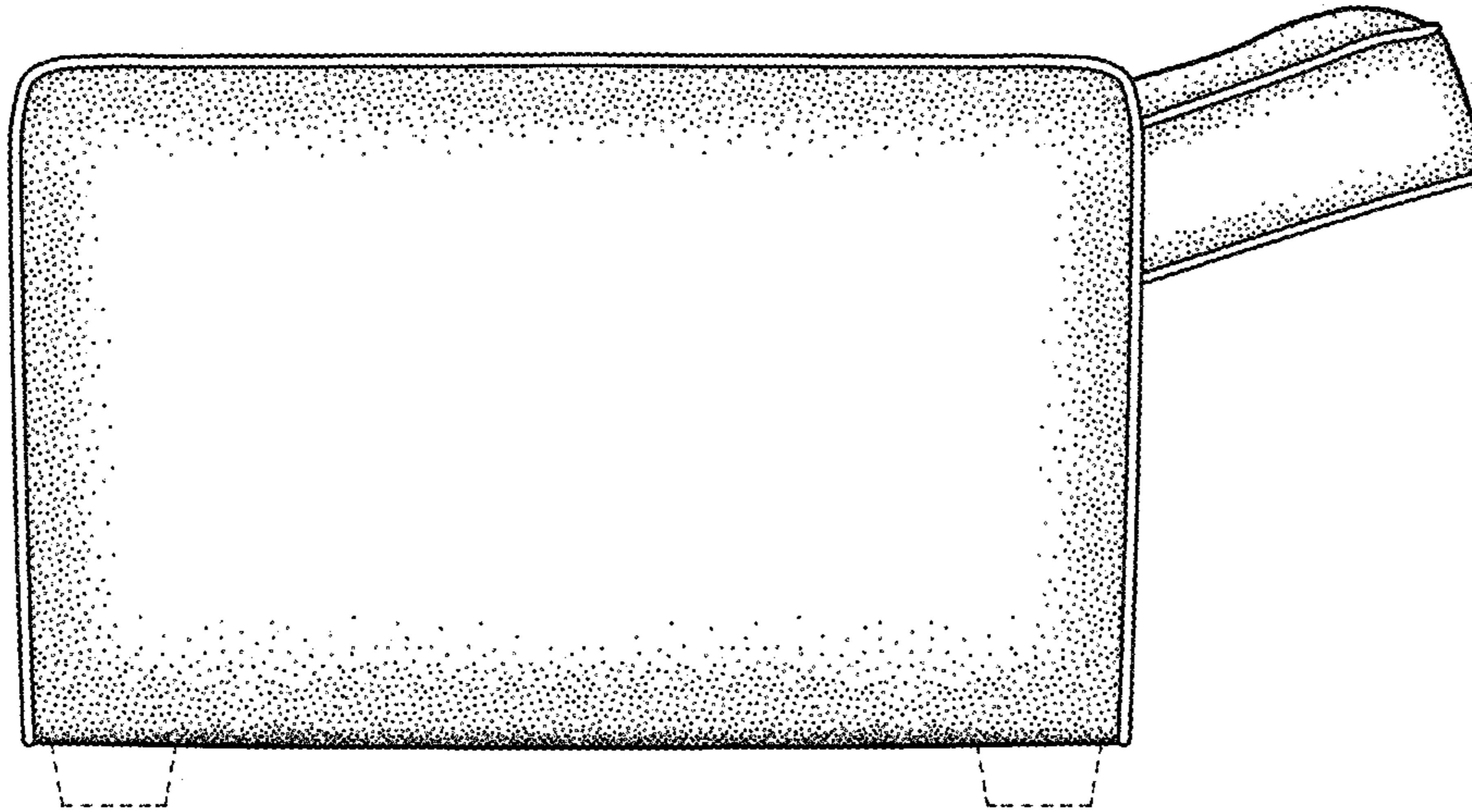


FIG. 13

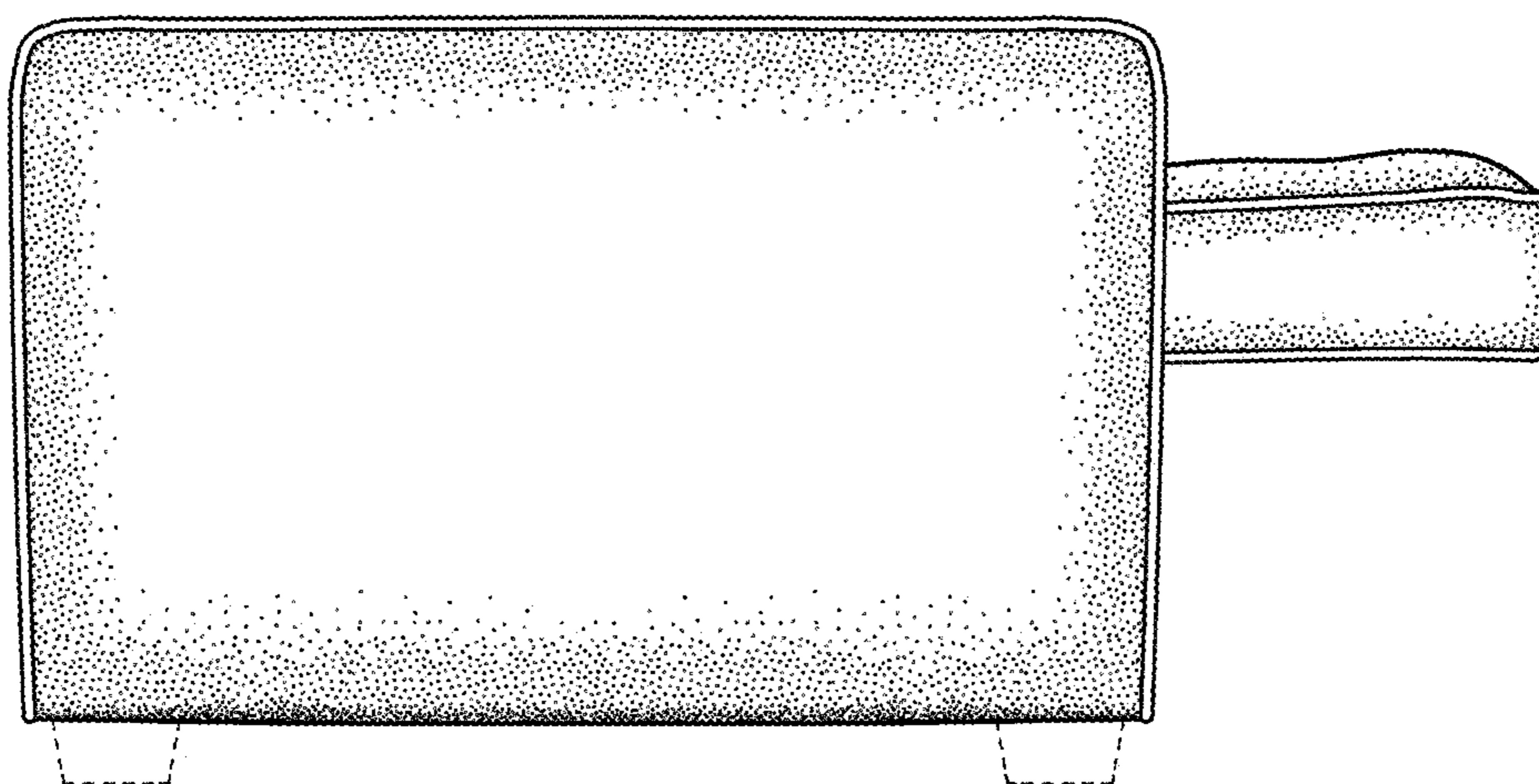


FIG. 14

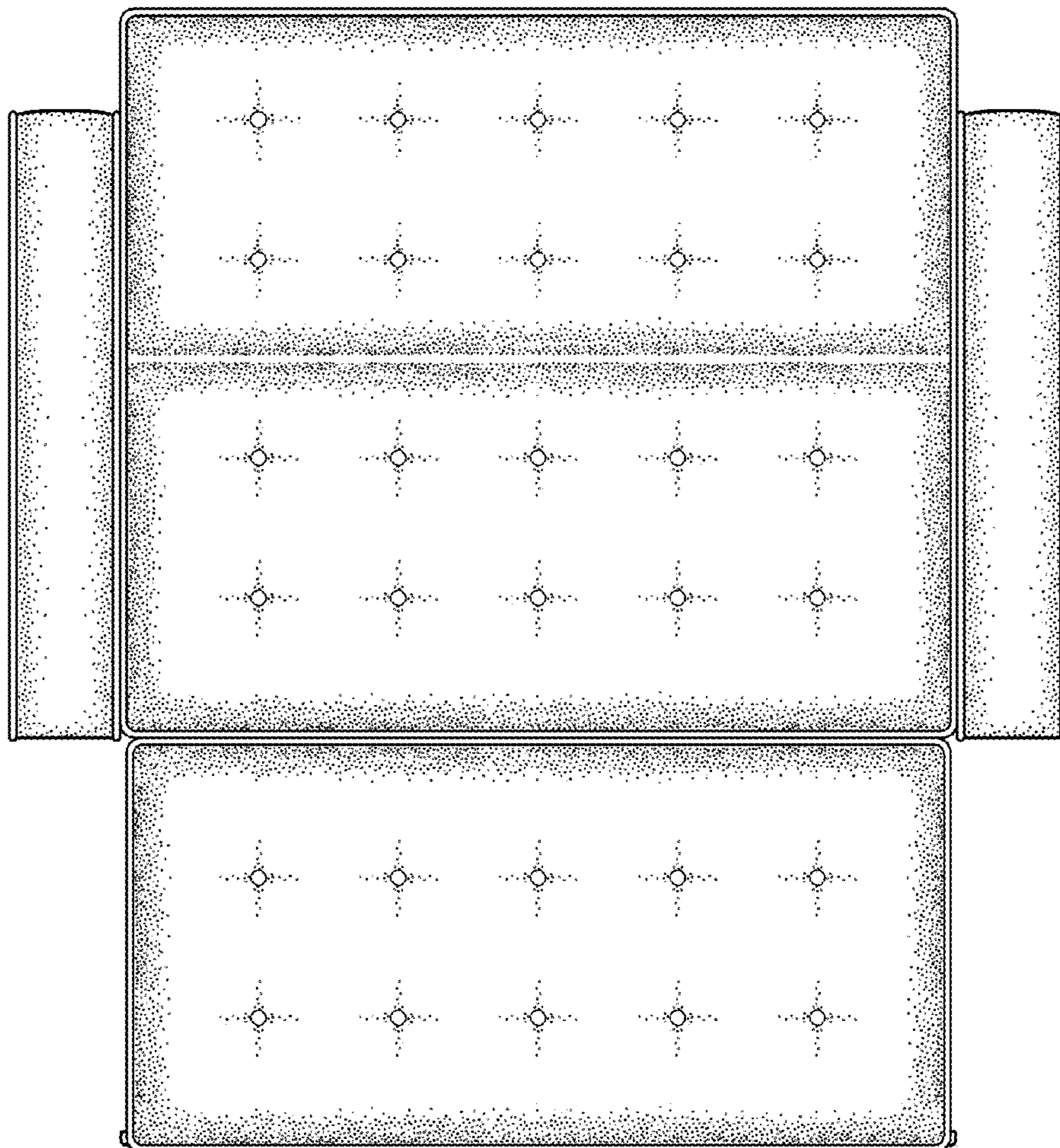


FIG. 15

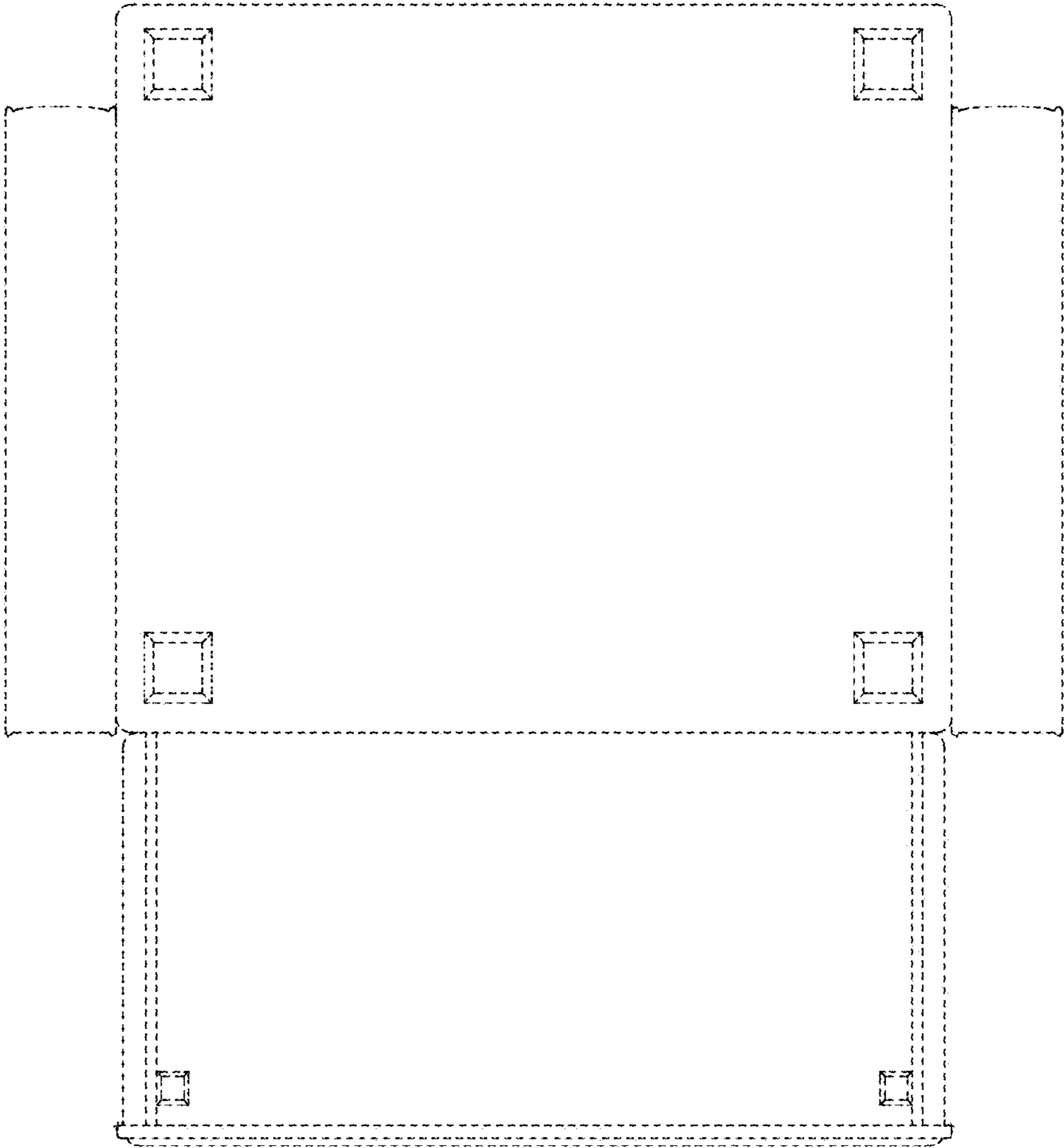


FIG. 16

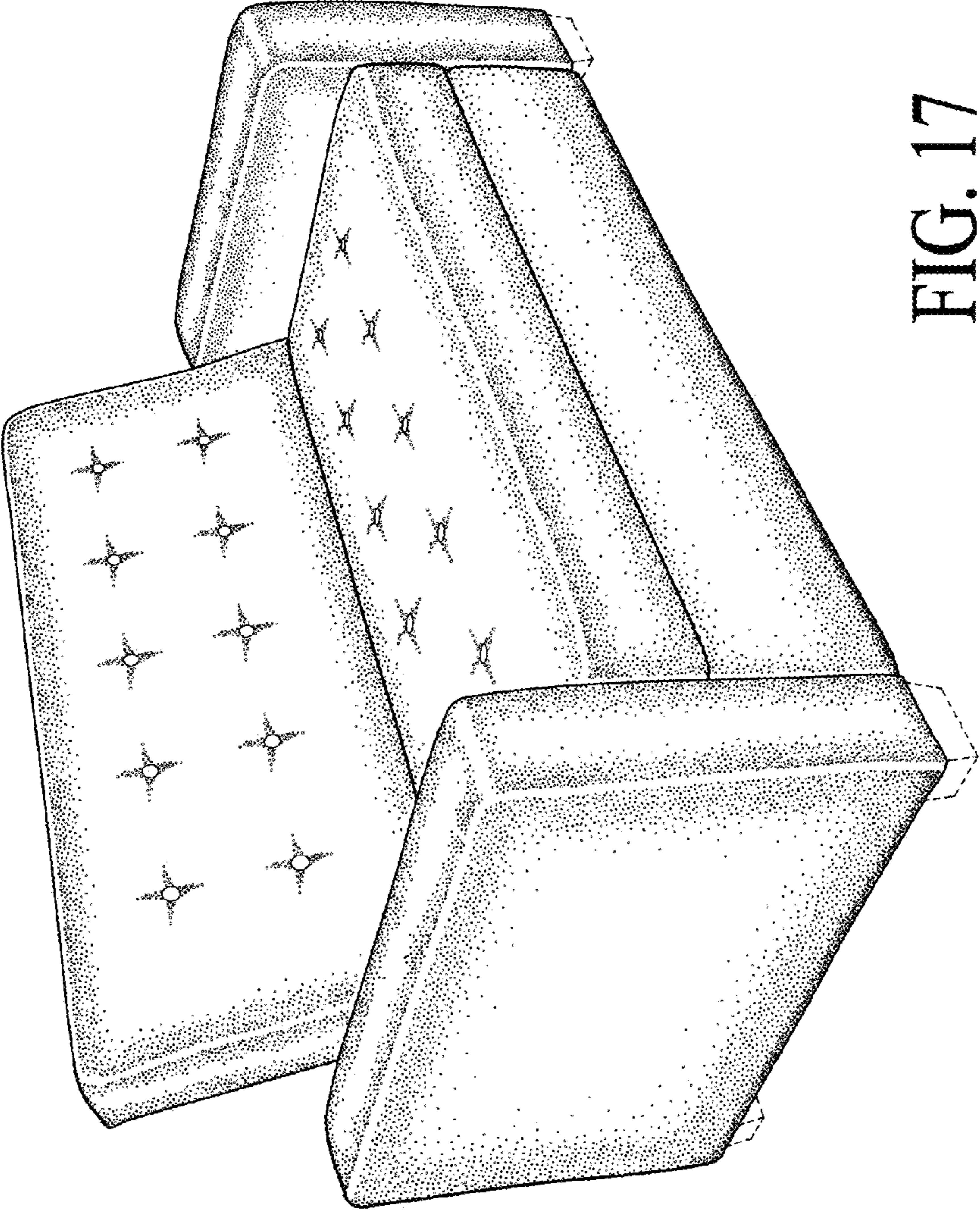


FIG. 17

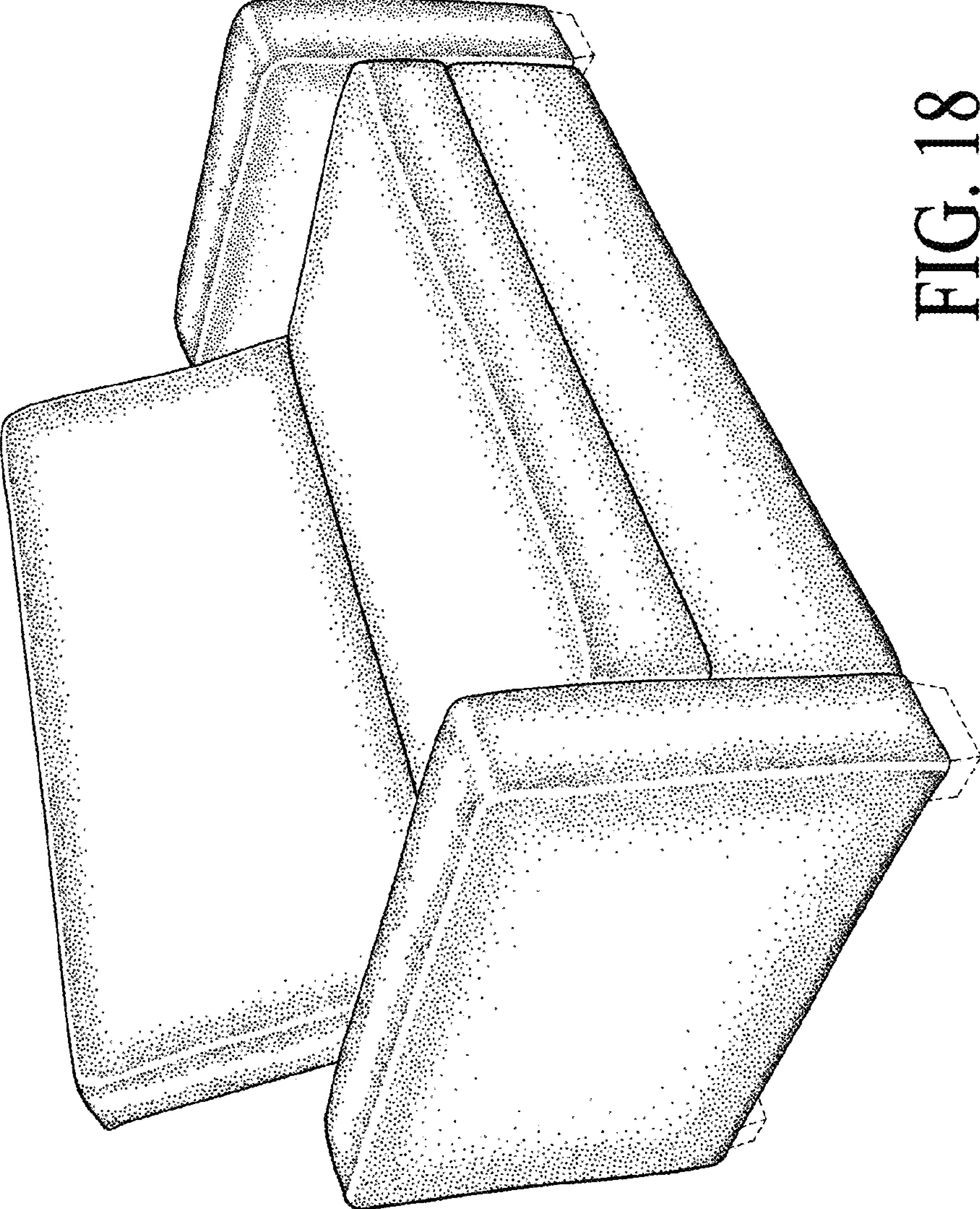


FIG. 18