



US00D719751S

(12) **United States Design Patent**
Nelson

(10) **Patent No.:** **US D719,751 S**

(45) **Date of Patent:** **** Dec. 23, 2014**

(54) **FOLDABLE CHAIR**

(71) Applicant: **Scott Nelson**, Sierra Madre, CA (US)

(72) Inventor: **Scott Nelson**, Sierra Madre, CA (US)

(**) Term: **14 Years**

(21) Appl. No.: **29/483,834**

(22) Filed: **Mar. 4, 2014**

(51) **LOC (10) Cl.** **06-01**

(52) **U.S. Cl.**
USPC **D6/368; D6/370**

(58) **Field of Classification Search**

CPC A47C 4/16; A47C 7/16; A47C 7/54;
A47C 4/027; A47C 4/02; A47C 4/03; A47C
7/68; A47D 1/02
USPC D6/334-336, 368, 370, 374, 379, 380,
D6/716, 716.1, 716.2, 716.3, 716.4;
297/31, 35, 39, 40, 411.43, 440.15,
297/445.1, 452.63

See application file for complete search history.

(56) **References Cited**

U.S. PATENT DOCUMENTS

794,777	A	7/1905	Bunnell	
D66,525	S *	1/1925	Wurdack et al.	D6/374
D68,027	S *	8/1925	Wurdack	D6/370
D78,926	S *	7/1929	Gottlob	D6/370
D84,585	S *	7/1931	Ledder et al.	D6/370
1,855,130	A *	4/1932	Appleby	A47C 4/16
D109,239	S	4/1938	Wolpin	

(Continued)

OTHER PUBLICATIONS

<http://www.designsponge.com.c.presscdn.com/wp-content/uploads/2010/08/deckchair.jpg>.

(Continued)

Primary Examiner — Mimosa De

(74) *Attorney, Agent, or Firm* — Raj Abhyanker, P.C.

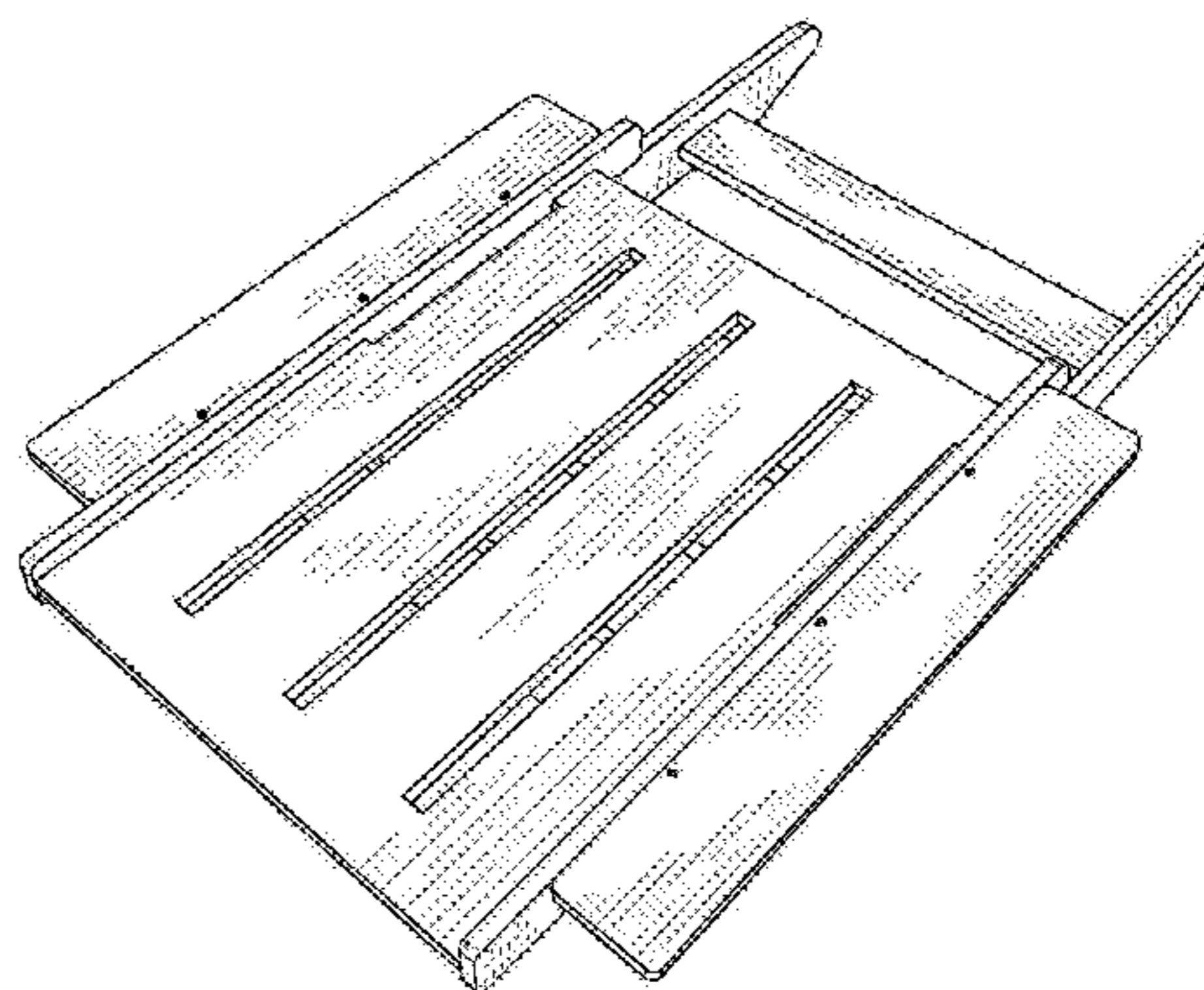
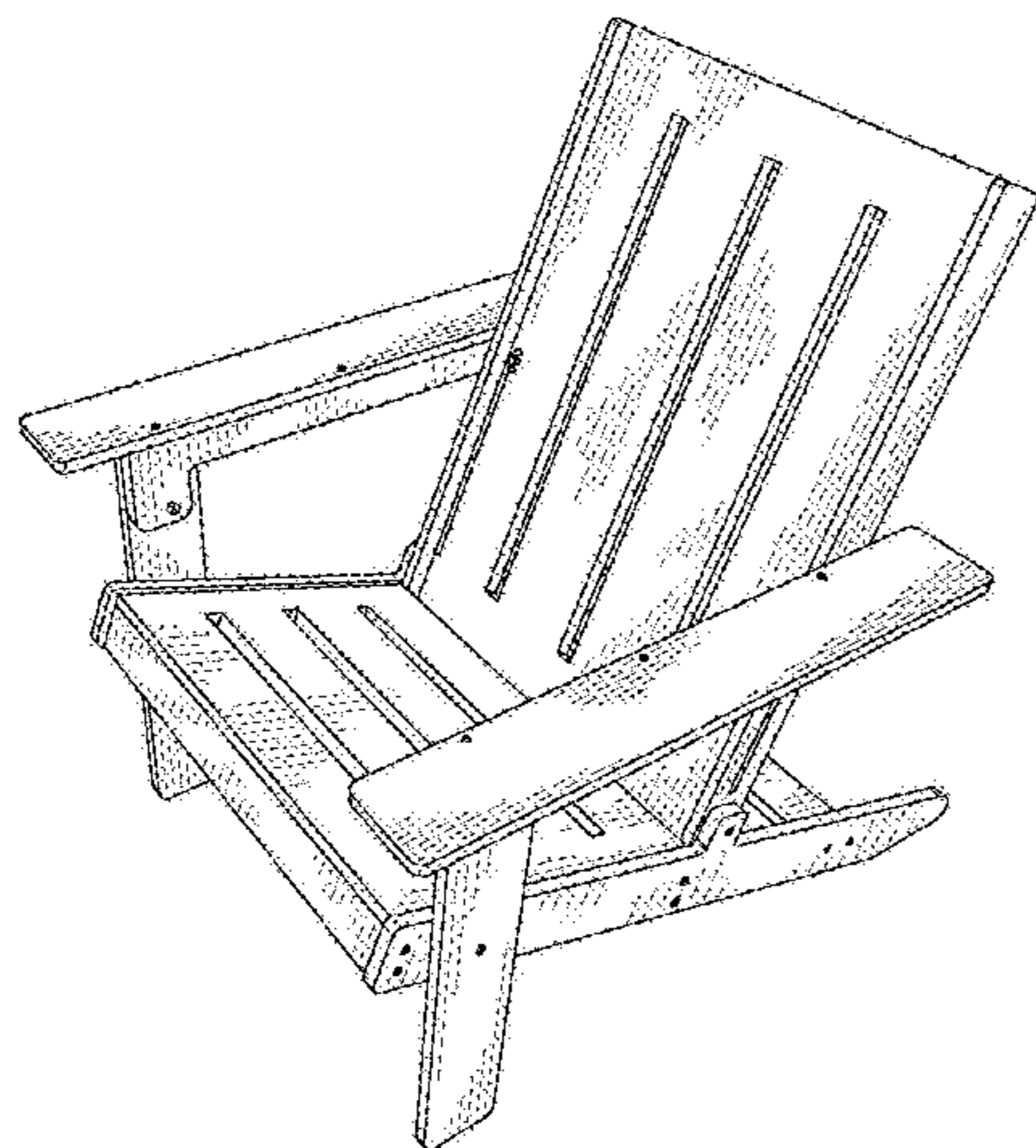
(57) **CLAIM**

The ornamental design for a foldable chair, as shown and described.

DESCRIPTION

FIG. 1 is a perspective view of a foldable chair in an unfolded embodiment, the perspective view partially from the front side of the foldable chair, partially from the left side of the foldable chair, and partially from the top of the foldable chair; FIG. 2 is a front side view of the foldable chair of FIG. 1 in the unfolded embodiment; FIG. 3 is a back side view of the foldable chair of FIG. 1 in the unfolded embodiment; FIG. 4 is a right side view of the foldable chair of FIG. 1 in the unfolded embodiment; FIG. 5 is a left side view of the foldable chair of FIG. 1 in the unfolded embodiment; FIG. 6 is a top view of the foldable chair of FIG. 1 in the unfolded embodiment; FIG. 7 is a bottom view of the foldable chair of FIG. 1 in the unfolded embodiment; FIG. 8 is a perspective view of the foldable chair of FIG. 1 in a folded embodiment, the perspective view partially from the front side of the foldable chair, partially from the left side of the foldable chair, and partially from the top of the foldable chair; FIG. 9 is a front side view of the foldable chair of FIG. 1 in the folded embodiment; FIG. 10 is a back side view of the foldable chair of FIG. 1 in the folded embodiment; FIG. 11 is a right side view of the foldable chair of FIG. 1 in the folded embodiment; FIG. 12 is a left side view of the foldable chair of FIG. 1 in the folded embodiment; FIG. 13 is a top view of the foldable chair of FIG. 1 in the folded embodiment; and, FIG. 14 is a bottom view of the foldable chair of FIG. 1 in the folded embodiment.

1 Claim, 12 Drawing Sheets



(56)

References Cited

U.S. PATENT DOCUMENTS

D148,391 S * 1/1948 Plourde et al. D6/370
2,490,884 A * 12/1949 Rau A47C 4/027
2,514,125 A * 7/1950 Evans A47C 4/027
D197,968 S * 4/1964 Leachman, Jr. D6/370
D252,428 S 7/1979 Brelsford
5,911,469 A * 6/1999 Young A47C 7/68
D413,736 S * 9/1999 Jackson D6/367

D615,313 S 5/2010 Rooth
D646,068 S 10/2011 Bogdan et al.
D646,071 S 10/2011 Bogdan et al.
8,167,377 B2 * 5/2012 Kovach 297/440.13
D679,917 S * 4/2013 Egbert D6/370

OTHER PUBLICATIONS

<http://www.usalovelist.com/files/2013/08/840.29.jpg>.

* cited by examiner

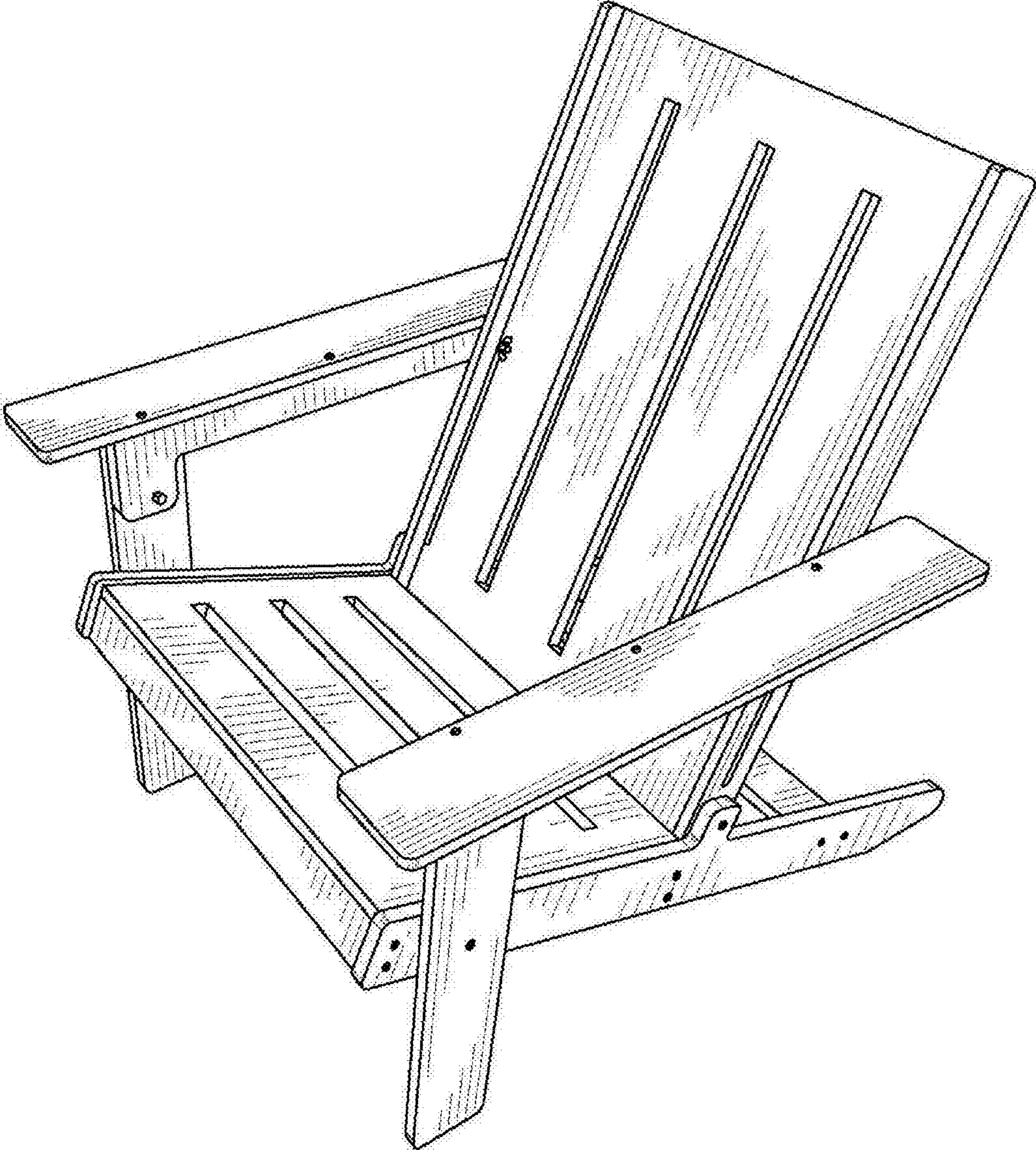


FIG 1

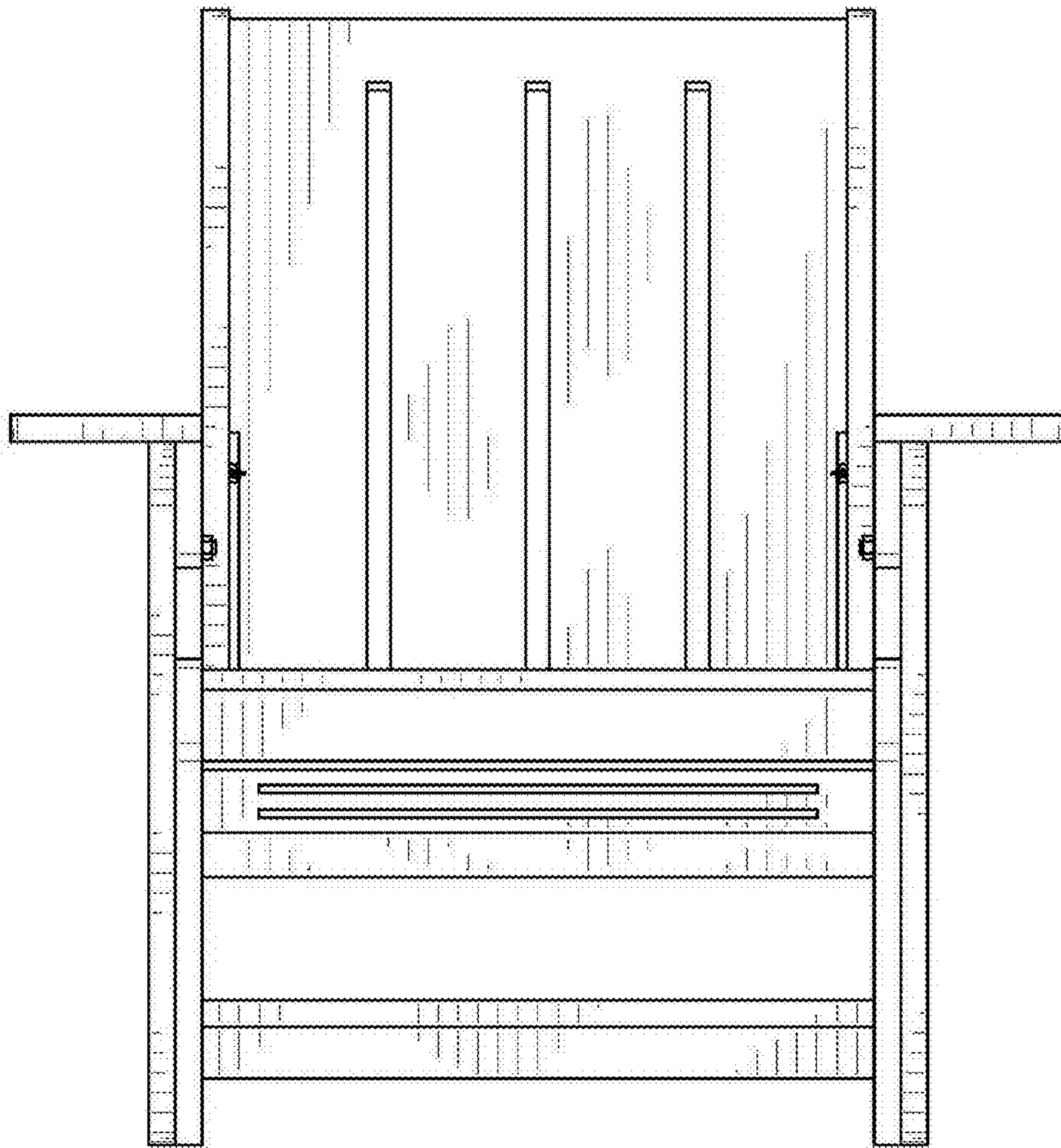


FIG 2

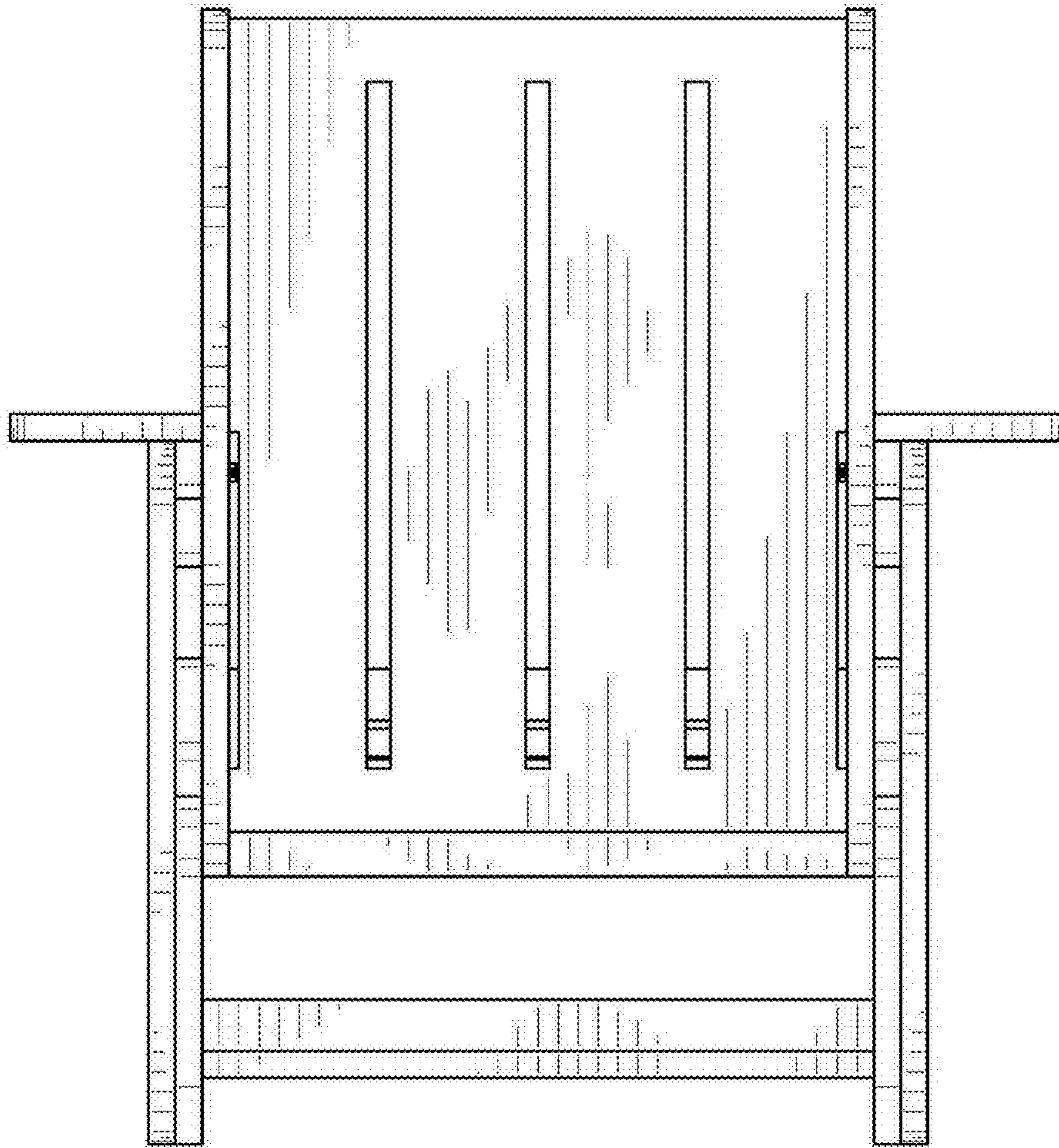


FIG 3

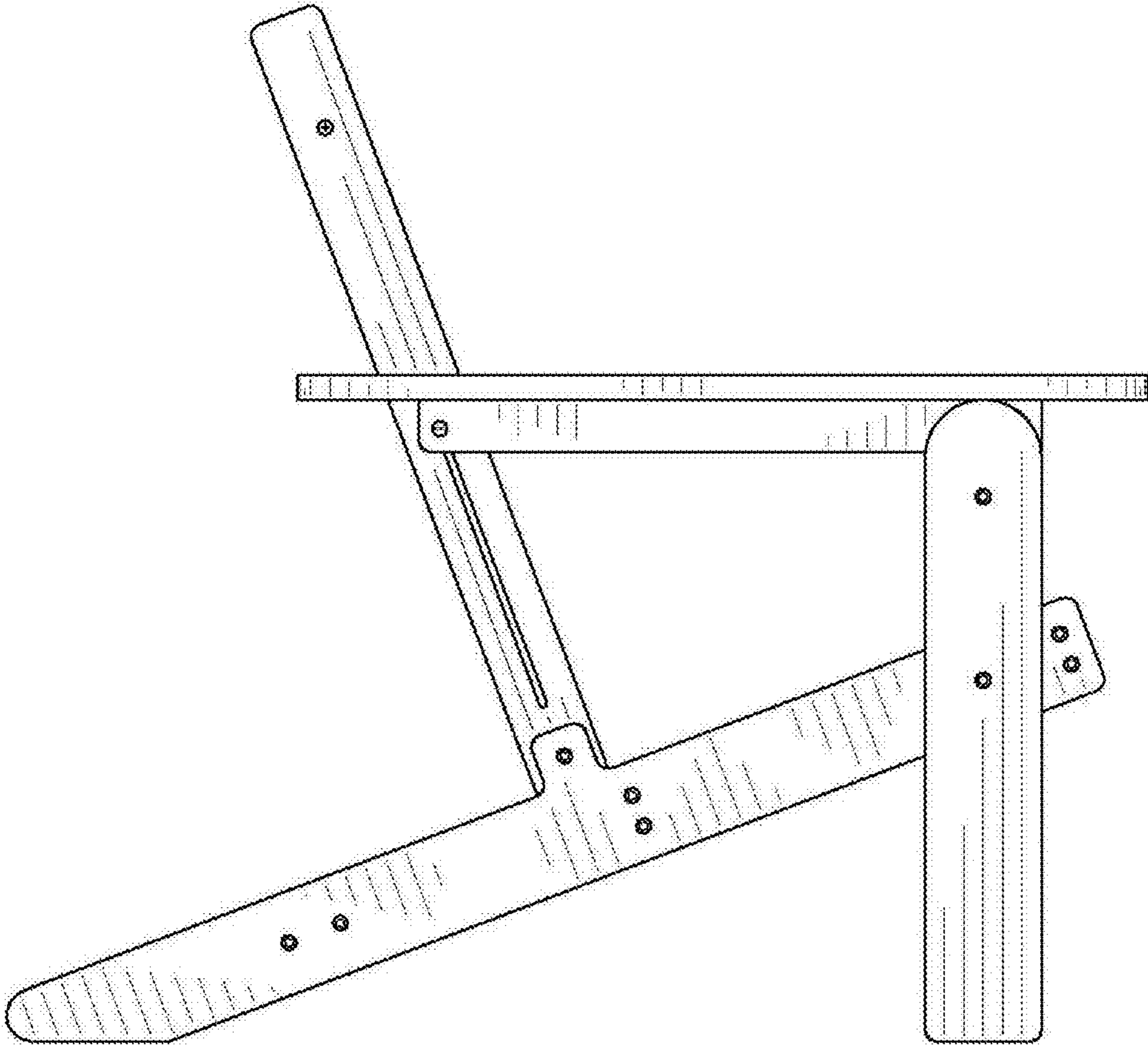


FIG 4

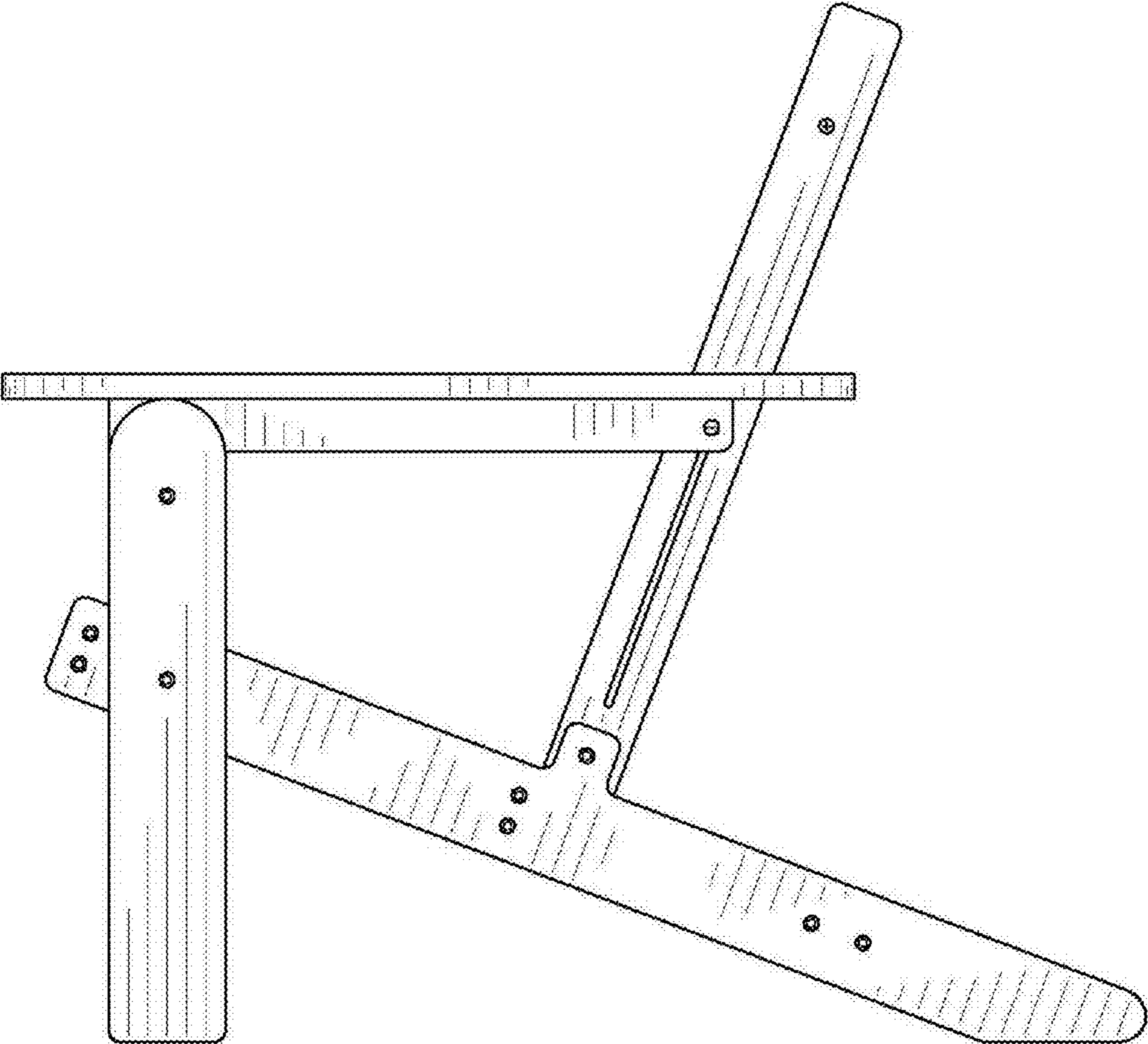


FIG 5

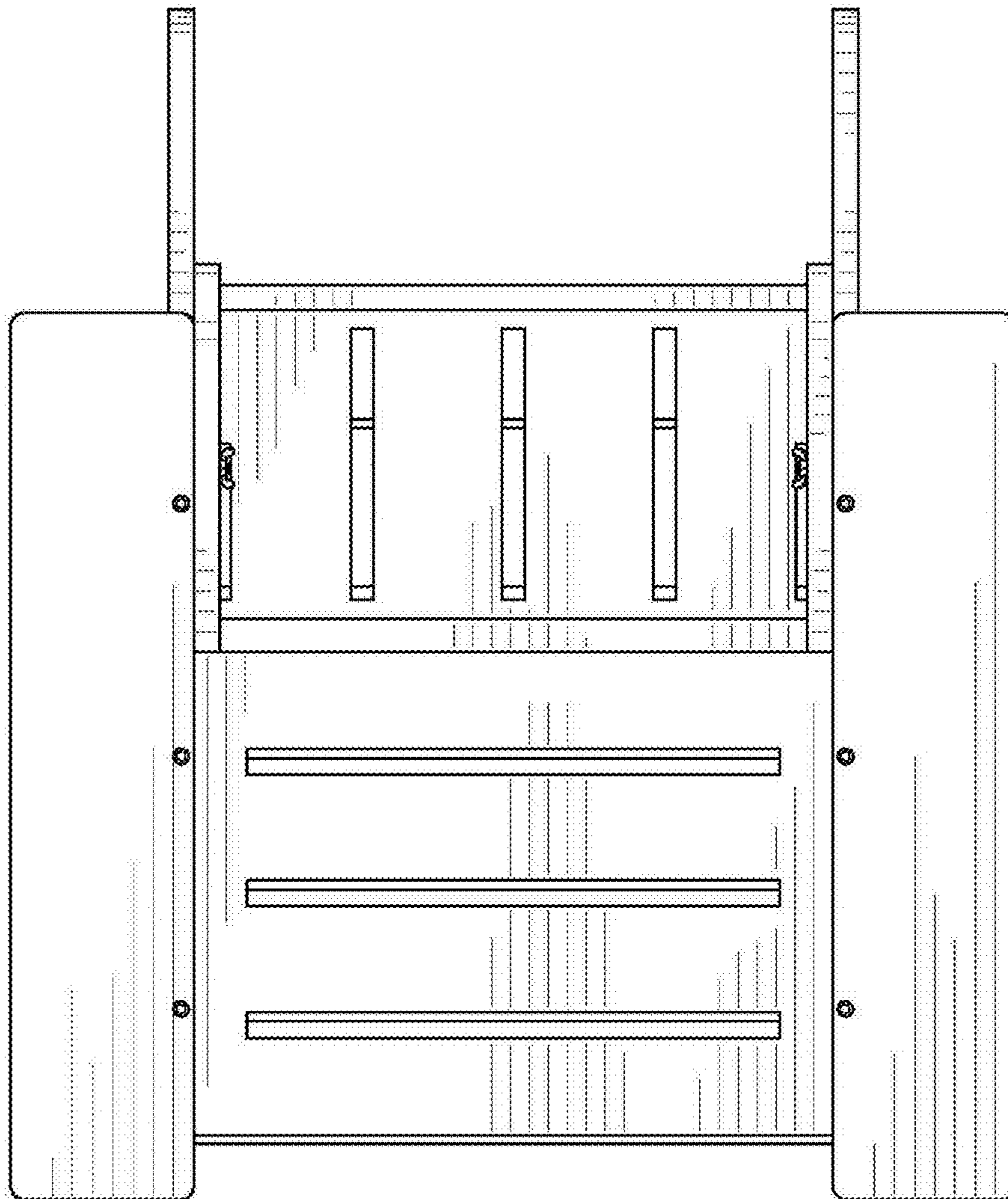


FIG 6

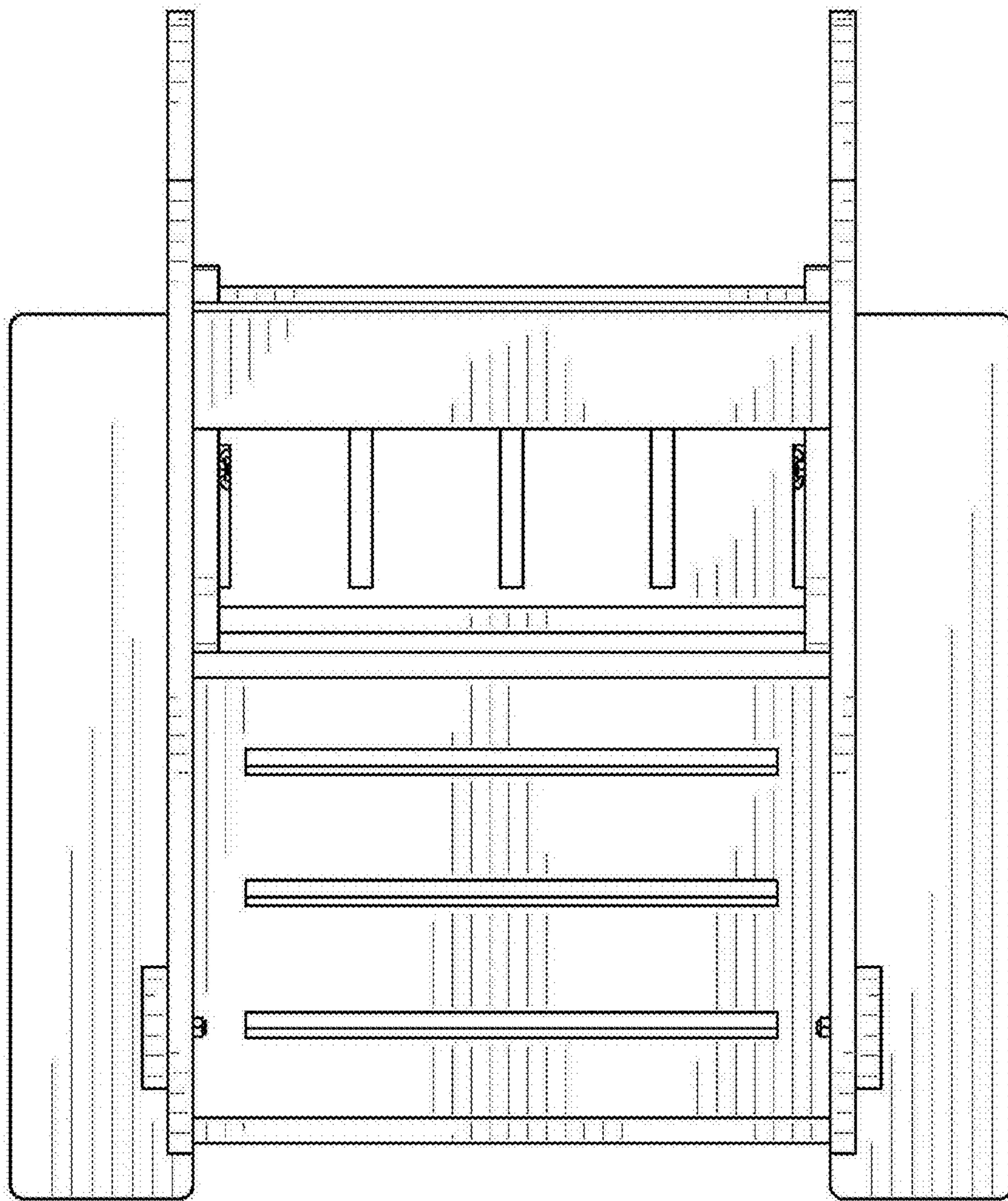


FIG 7

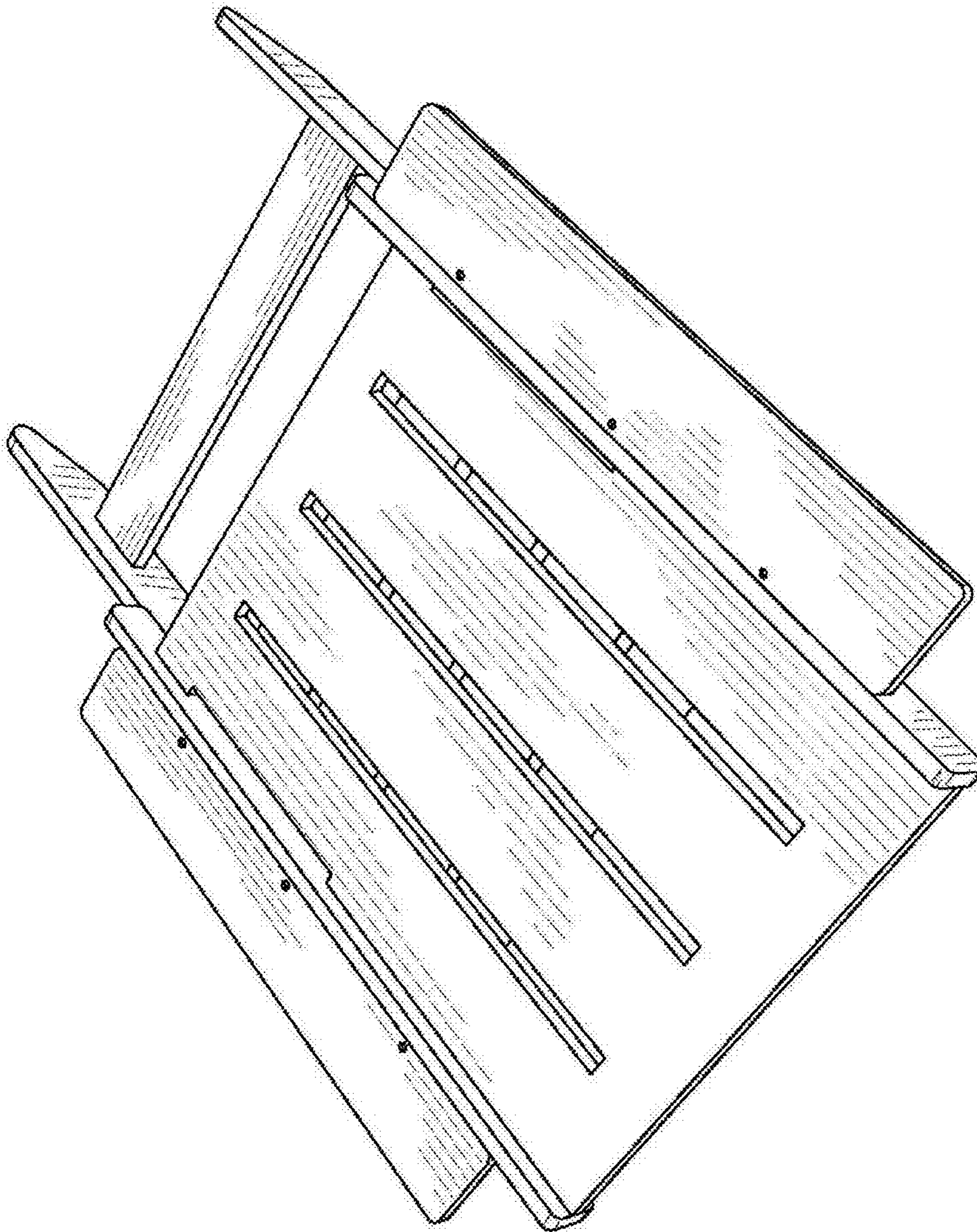


FIG 8

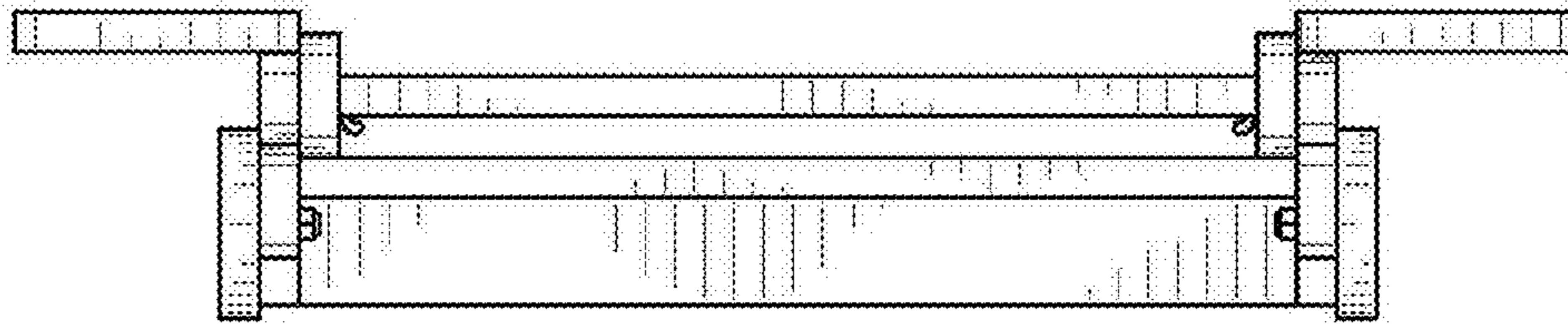


FIG 9

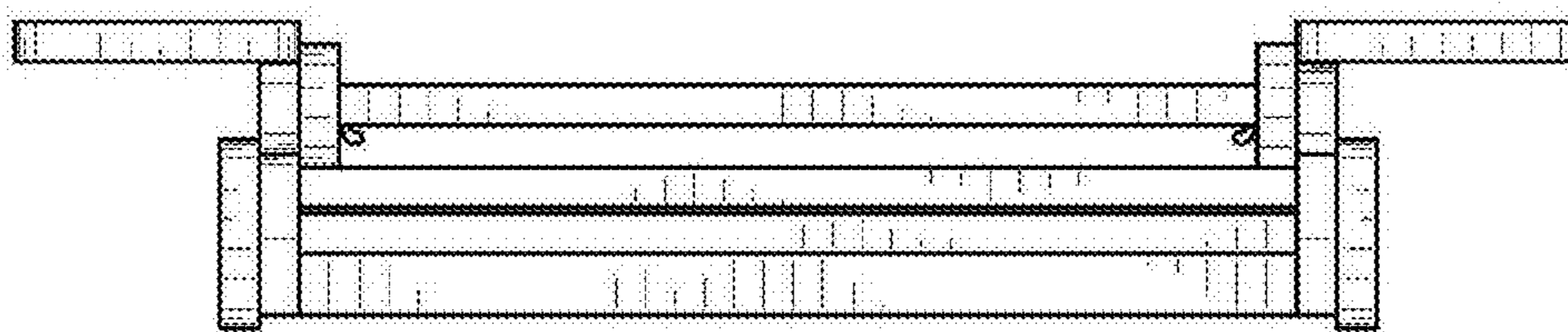


FIG 10

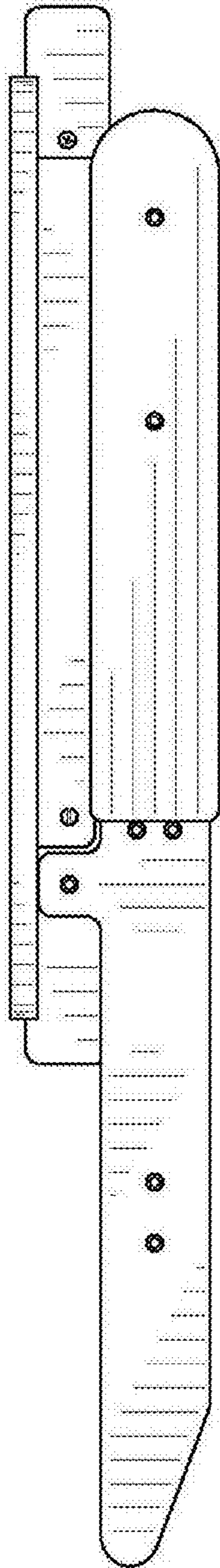


FIG 11

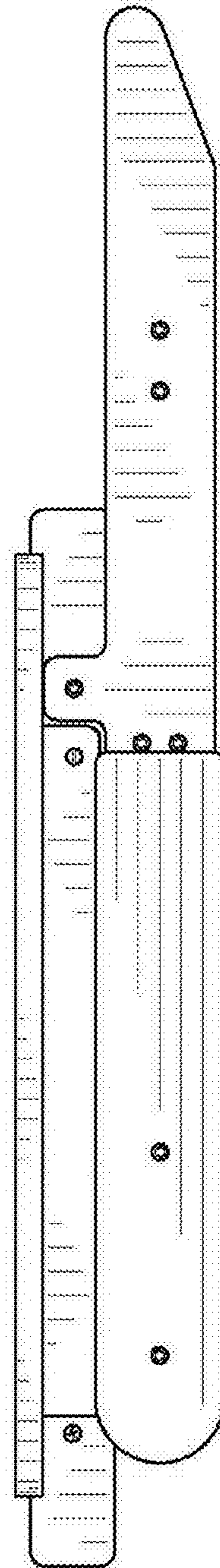


FIG 12

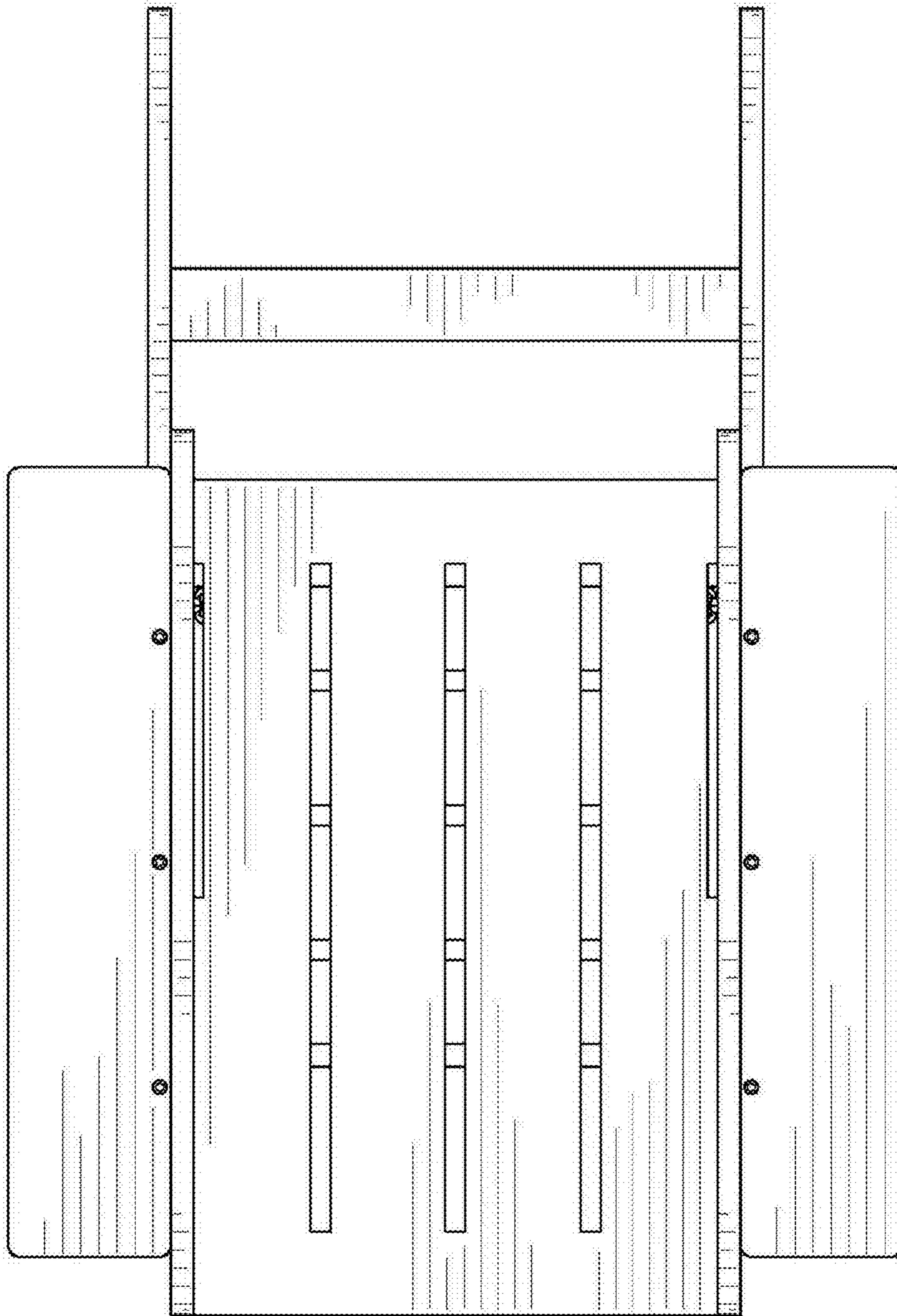


FIG 13

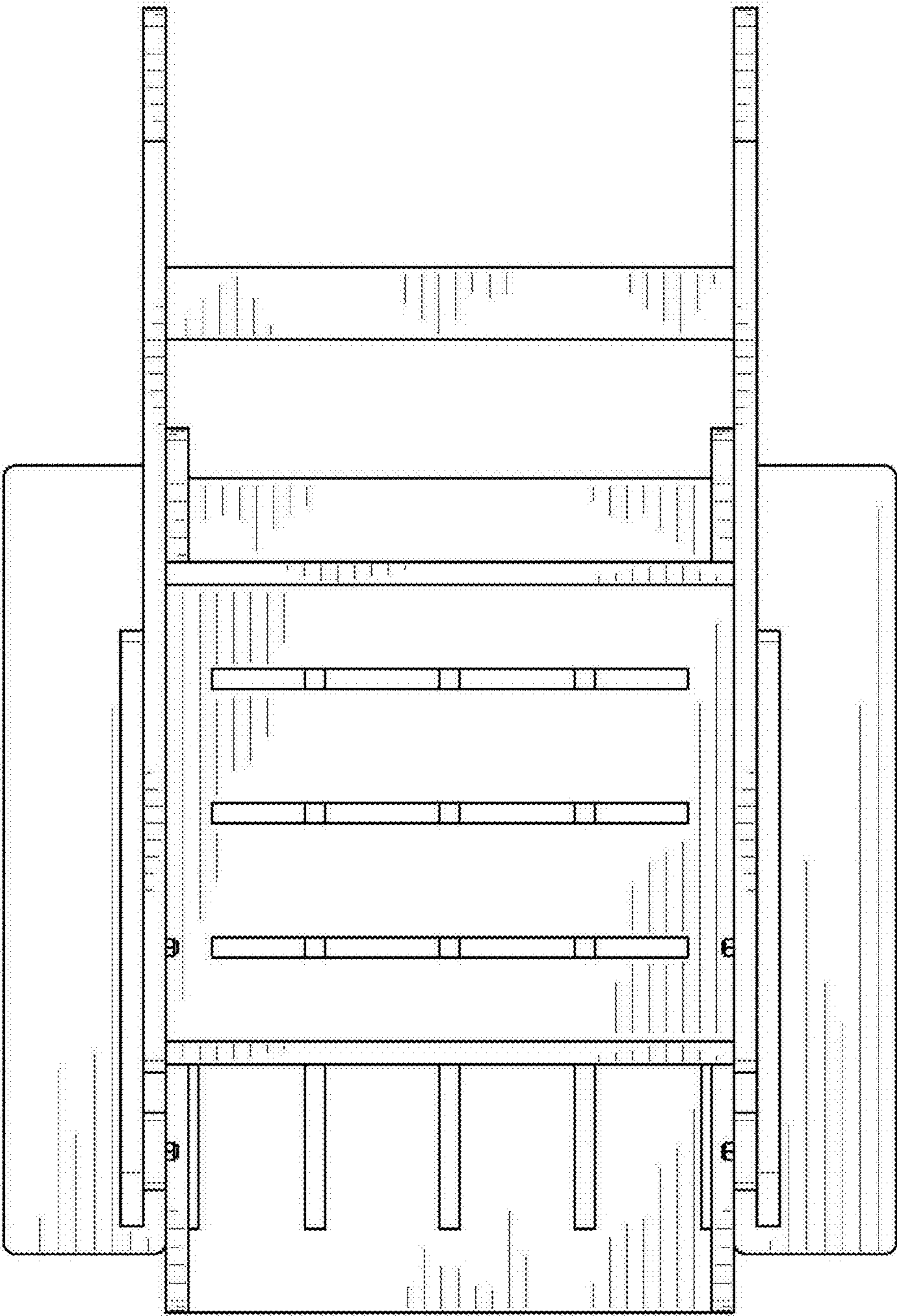


FIG 14