



US00D719749S

(12) **United States Design Patent**
Hernandez et al.

(10) **Patent No.:** **US D719,749 S**
(45) **Date of Patent:** **** Dec. 23, 2014**

(54) **STOOL**

(71) Applicant: **Alltrade Tools, LLC**, Long Beach, CA
(US)

(72) Inventors: **Hector R. Hernandez**, Fullerton, CA
(US); **Vincent W. Caito**, Pomona, CA
(US)

(73) Assignee: **Alltrade Tools LLC**, Long Beach, CA
(US)

(**) Term: **14 Years**

(21) Appl. No.: **29/467,972**

(22) Filed: **Sep. 25, 2013**

(51) **LOC (10) Cl.** **06-01**

(52) **U.S. Cl.**
USPC **D6/352; D6/349**

(58) **Field of Classification Search**

CPC A47C 1/14; A47C 3/16-3/20; A47C 4/00;
A47C 4/28; A47C 5/02; A47C 7/02; A47C
9/00; A47C 9/02; A47C 9/002; A47C 9/007;
A47C 9/025; A47C 11/00; A47C 12/00;
A47C 13/00; A47C 16/02
USPC D6/335, 340, 344, 347, 349-355, 358,
D6/360, 363-373, 381, 685, 687, 688, 690,
D6/691-691.6, 692, 692.4, 694, 703.15,
D6/708.21, 708.22, 709.22, 716-716.7,
D6/717

See application file for complete search history.

(56) **References Cited**

U.S. PATENT DOCUMENTS

D156,463	S	*	12/1949	Rita	D6/352
D169,696	S	*	5/1953	Ries et al.	D6/352
3,262,406	A	*	7/1966	Nickolaisen	297/461
D232,880	S	*	9/1974	Samhammer	D6/352
D531,419	S	*	11/2006	Whiteside et al.	D6/352
D579,676	S	*	11/2008	Rheault et al.	D6/349
D579,677	S		11/2008	Zhou et al.		

* cited by examiner

Primary Examiner — Susan Bennett Hattan

Assistant Examiner — Vy Koenig

(74) *Attorney, Agent, or Firm* — Fulwider Patton LLP

(57) **CLAIM**

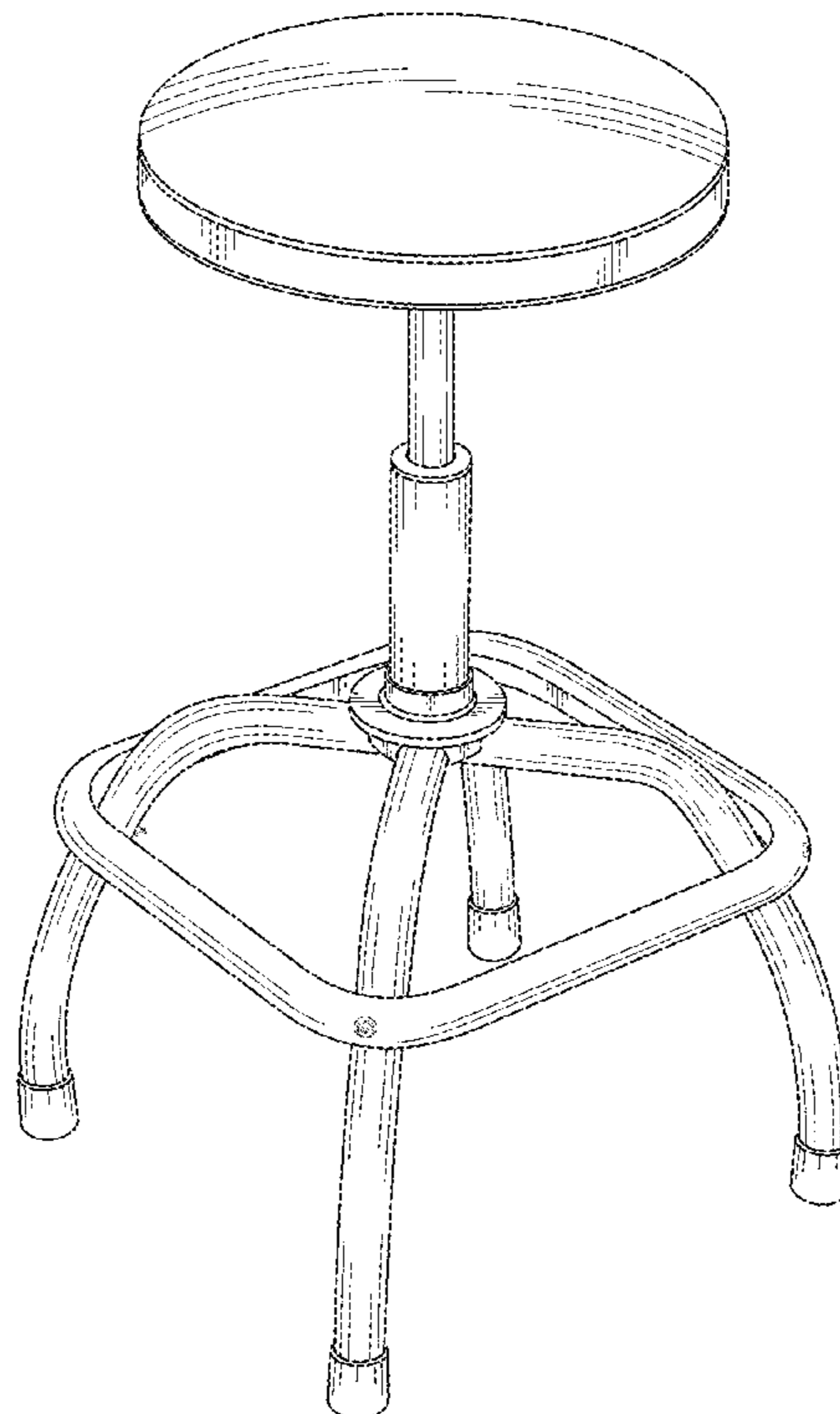
The ornamental design for a stool, as shown and described.

DESCRIPTION

FIG. 1 is a first perspective view of a stool, slightly from above, showing our new design;
FIG. 2 is a front elevational view thereof;
FIG. 3 is a rear elevational view thereof;
FIG. 4 is a left side elevational view thereof;
FIG. 5 is a right side elevational view thereof;
FIG. 6 is a top plan view thereof;
FIG. 7 is a bottom plan view thereof; and,
FIG. 8 is a second perspective view thereof, slightly from below.

The broken lines shown represent environmental subject matter and form no part of the claimed invention.

1 Claim, 8 Drawing Sheets



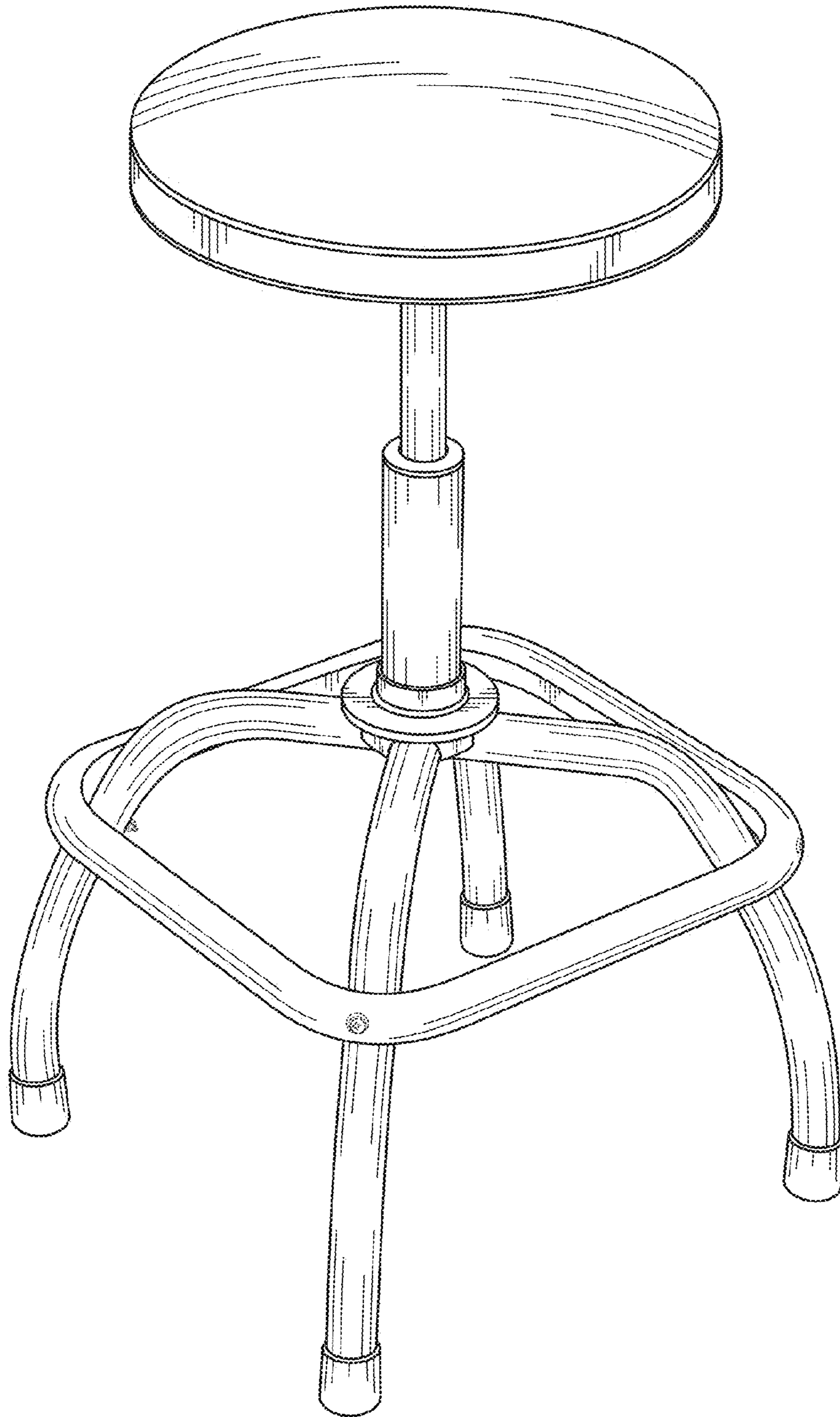


FIG. 1

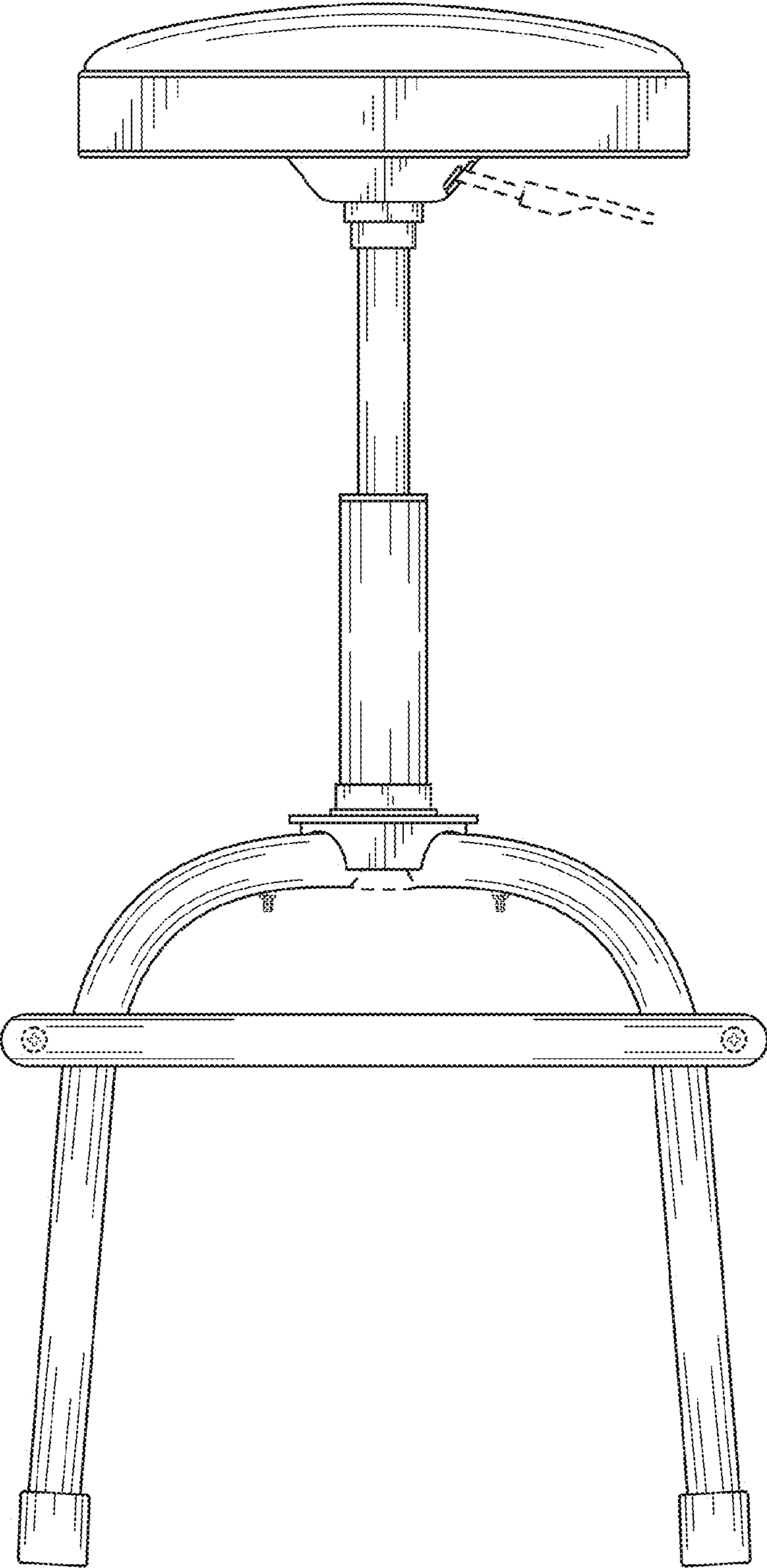


FIG. 2

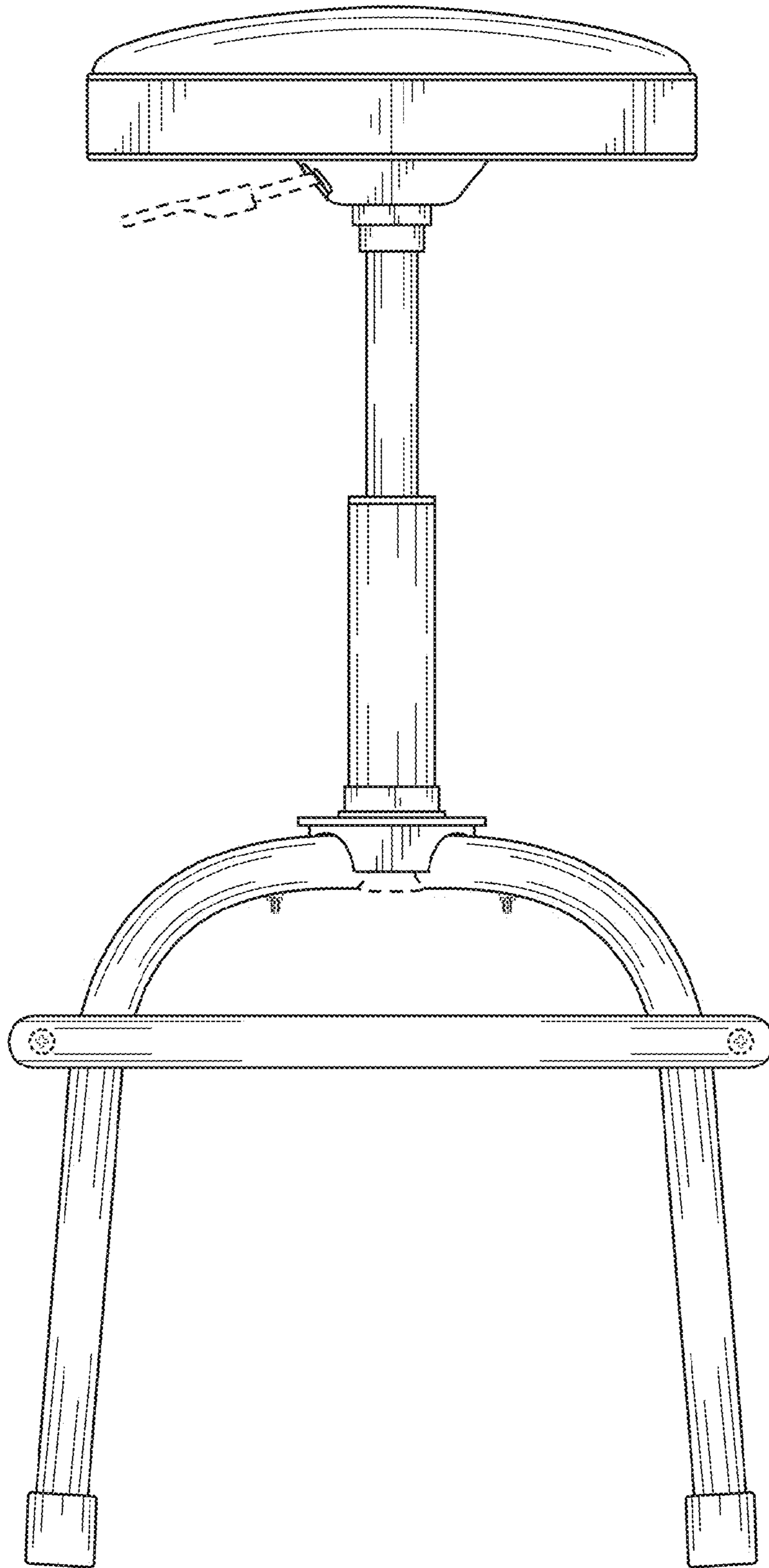


FIG. 3

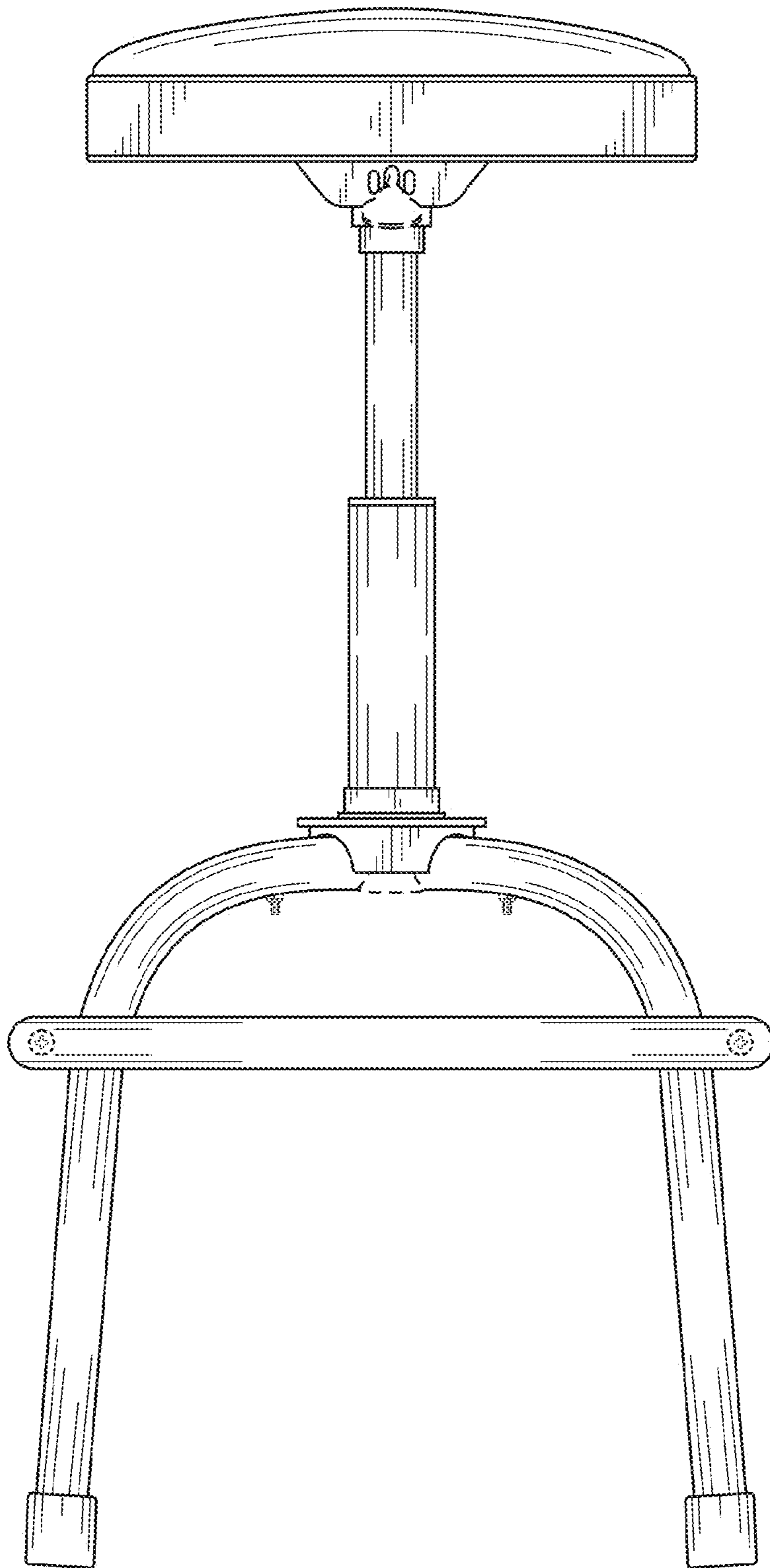


FIG. 4

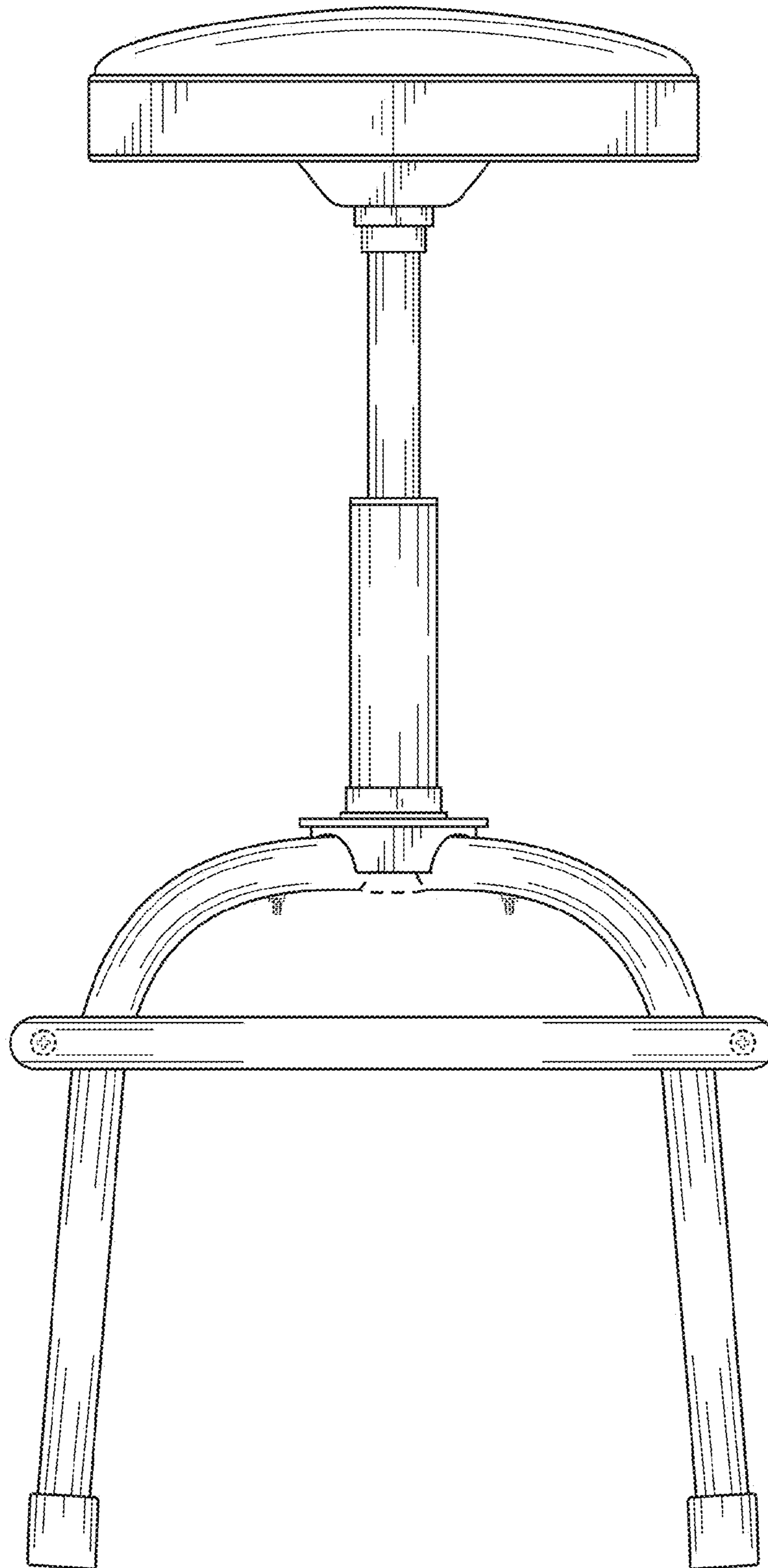


FIG. 5

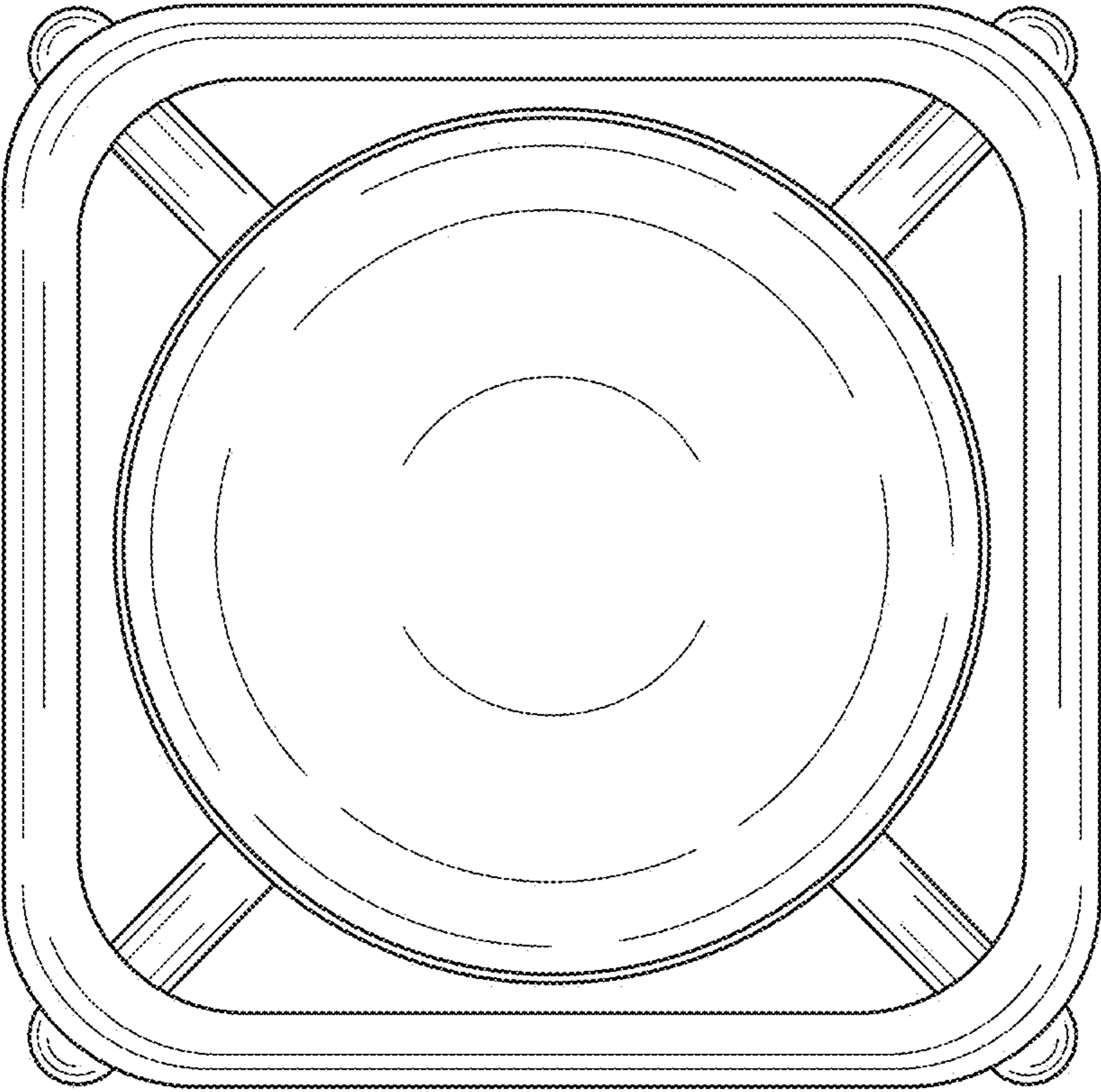


FIG. 6

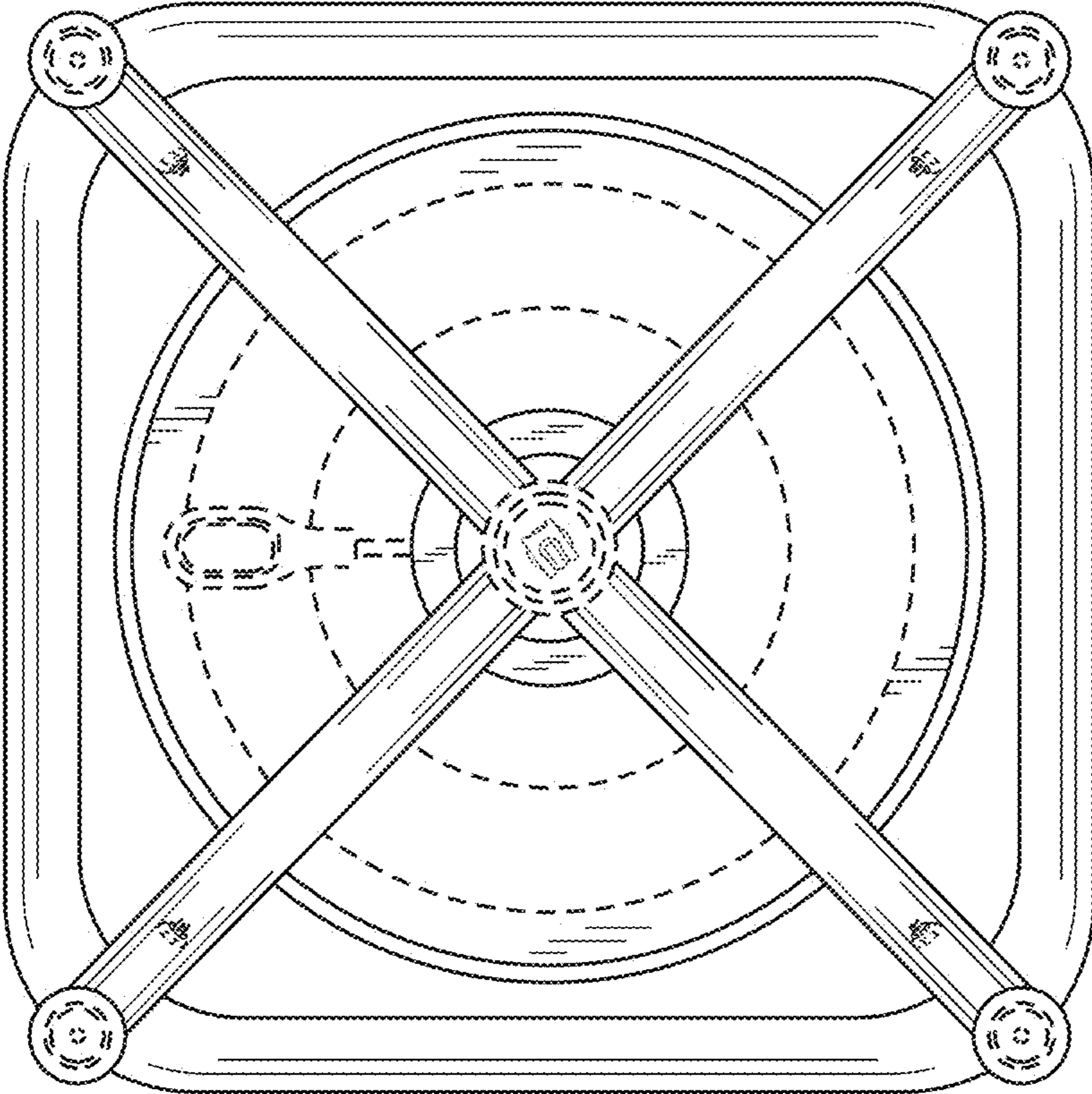


FIG. 7

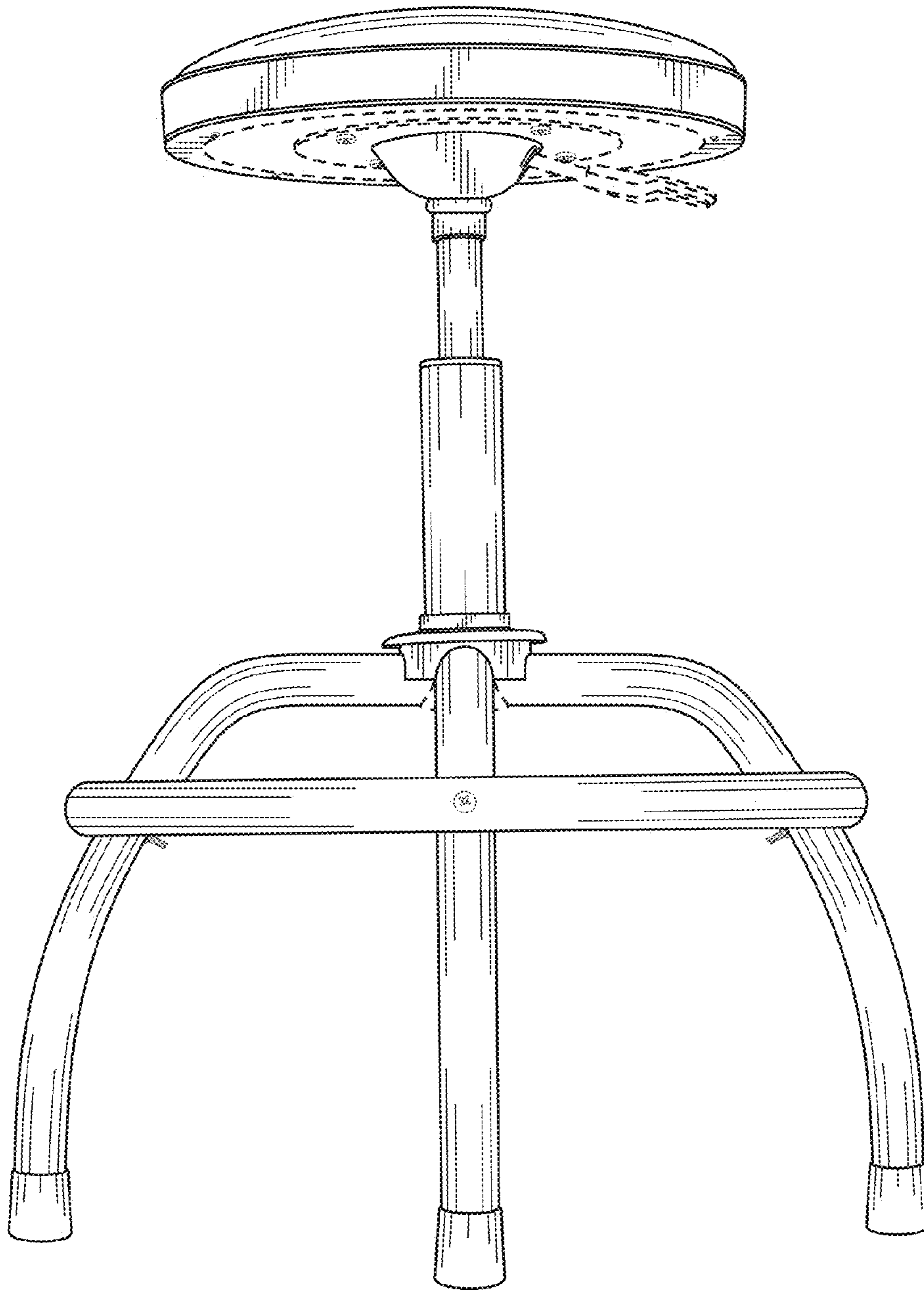


FIG. 8