



US00D719744S

(12) **United States Design Patent**
Plumbo et al.

(10) **Patent No.:** **US D719,744 S**
(45) **Date of Patent:** **** Dec. 23, 2014**

(54) **FRAME**

(71) Applicant: **Target Brands, Inc.**, Minneapolis, MN (US)

(72) Inventors: **Reid Vincent Plumbo**, Vadnais Heights, MN (US); **Stacy Adelmann**, Shakopee, MN (US)

(73) Assignee: **Target Brands, Inc.**, Minneapolis, MN (US)

(**) Term: **14 Years**

(21) Appl. No.: **29/440,196**

(22) Filed: **Dec. 19, 2012**

(51) **LOC (10) Cl.** **06-07**

(52) **U.S. Cl.**
USPC **D6/300**

(58) **Field of Classification Search**
CPC A47G 1/0605; A47G 1/16
USPC D6/300, 308, 312, 559; D25/48.7;
40/732

See application file for complete search history.

(56) **References Cited**

U.S. PATENT DOCUMENTS

D168,325 S	12/1952	Abrams	
2,735,205 A *	2/1956	Knox	40/732
D181,755 S	12/1957	Spertus	
D247,047 S *	1/1978	Damiana	D25/48.7
D254,643 S *	4/1980	Ashenfarb	D6/308
D269,838 S *	7/1983	Altonaga	D6/300
D312,923 S *	12/1990	Bleazard	D6/300
D358,037 S	5/1995	Monroe	
D372,797 S	8/1996	Haria et al.	
D382,120 S	8/1997	Lanci et al.	
D415,355 S *	10/1999	Lewis	D6/300
D443,147 S *	6/2001	Vincent	D6/300
D480,221 S *	10/2003	Luciano	D6/300
D524,555 S *	7/2006	Mohundro	D6/300

(Continued)

FOREIGN PATENT DOCUMENTS

CN 301127195 * 5/2009
CN 301773461 * 8/2011

OTHER PUBLICATIONS

Threshold Distressed Wood Frame: announced Oct. 10, 2012 [online], [site visited on Oct. 27, 2014]. Available from Internet URL: http://www.target.com/p/threshold-distressed-wood-frame-black-8x10/-/A-14194498?ref=tgt_adv_XSG10001&AFID=google_pla_df&LNM=14194498&CPNG=Home+Decor&kpId=14194498&LID=25pgs&ci_src=17588969&ci_sku=14194498&kpId=14194498&gclid=COG.*

(Continued)

Primary Examiner — Cathron Brooks

Assistant Examiner — Catherine Posthauer

(74) *Attorney, Agent, or Firm* — Griffiths & Seaton PLLC; JoAnn M. Seaton

(57) **CLAIM**

The ornamental design for a frame, as shown and described.

DESCRIPTION

FIG. 1 is a front, perspective view of a frame showing our new design;

FIG. 2 is a front view thereof;

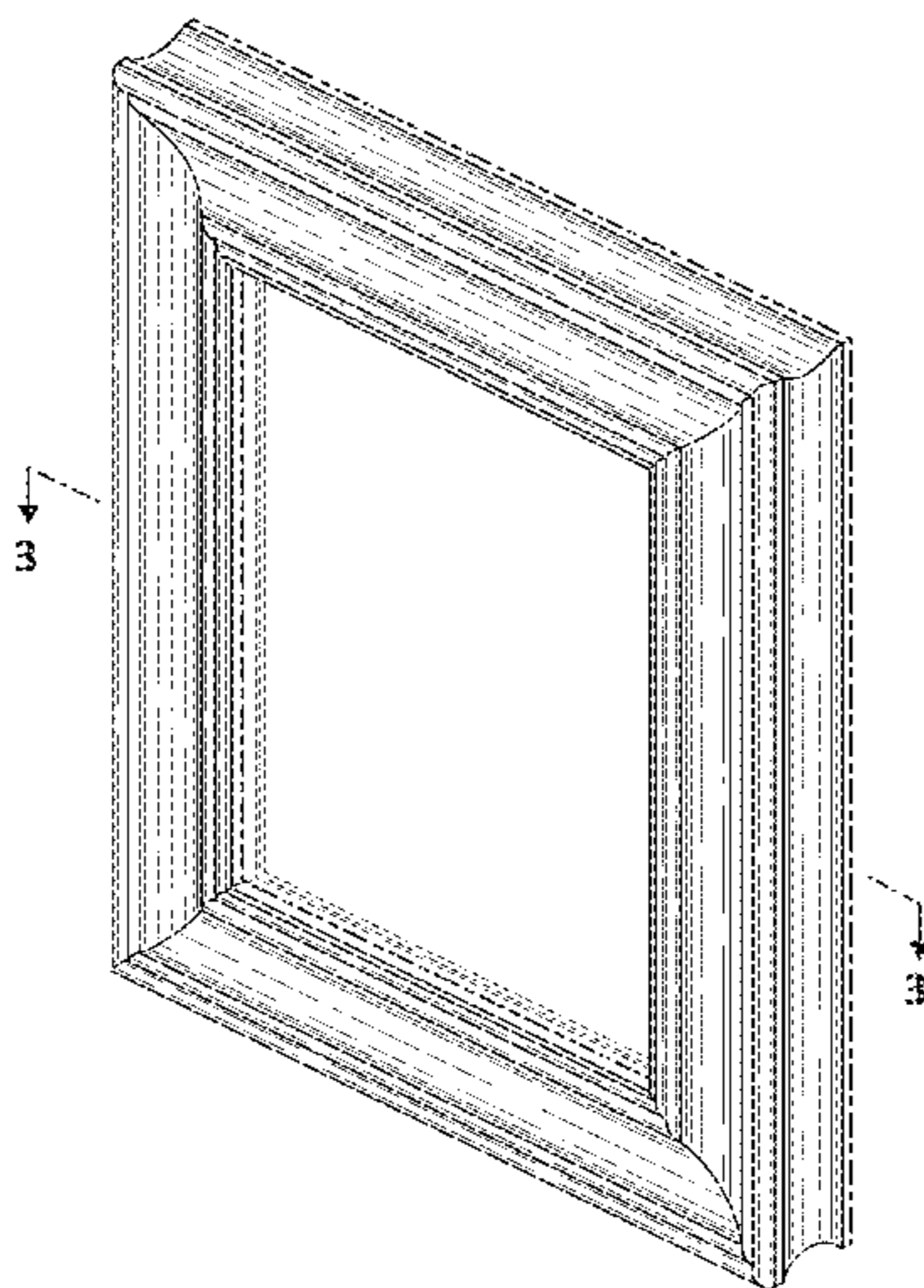
FIG. 3 is a cross-sectional view thereof taken along the line 3-3 in FIG. 1;

FIG. 4 is a right side view thereof, the left side view being a mirror image of the right side view; and,

FIG. 5 is a top view thereof the bottom view being a mirror image of the top view.

The features shown broken lines indicate unclaimed portions of the frame. The bolded short dash-long dash lines indicate the boundaries of the claimed subject matter and otherwise form no part of the claimed design. The rear view of the frame has been omitted since rear surfaces of the frame are not claimed.

1 Claim, 3 Drawing Sheets



(56)

References Cited

U.S. PATENT DOCUMENTS

D527,193 S	8/2006	Park	
D542,543 S *	5/2007	Bruce	D6/300
D609,952 S *	2/2010	Walker	D6/559
D609,953 S *	2/2010	Walker	D6/559
D610,354 S *	2/2010	Kuo	D6/300
D633,307 S *	3/2011	Mangelsen	D6/300
D654,703 S *	2/2012	LeMay	D6/300
D677,473 S *	3/2013	Johnson et al.	D6/300

OTHER PUBLICATIONS

“BGD12 Black Tie Affair”, <http://www.pictureframes.com/scripts/WebObjects/PictureFrames.woa/wa/CustomCollection>, available at least as early as Jan. 2, 2010, per www.internetarchive.org (2 pages).

“EXL2 Executive”, <http://www.pictureframes.com/scripts/WebObjects/PictureFrames.woa/wa/CustomCollection>, available at least as early as Jan. 2, 2010, per www.internetarchive.org (2 pages).
“EXL3 Executive”, <http://www.pictureframes.com/scripts/WebObjects/PictureFrames.woa/wa/CustomCollection>, available at least as early as Jan. 2, 2010, per www.internetarchive.org (2 pages).
“SL17 Slimwoods”, <http://www.pictureframes.com/scripts/WebObjects/PictureFrannes.woa/wa/CustomCollection>, available at least as early as Jan. 2, 2010, per www.internetarchive.org (2 pages).
Office Action from Canadian Patent Application No. 150324, mailed Nov. 28, 2013 (4 pages).

* cited by examiner

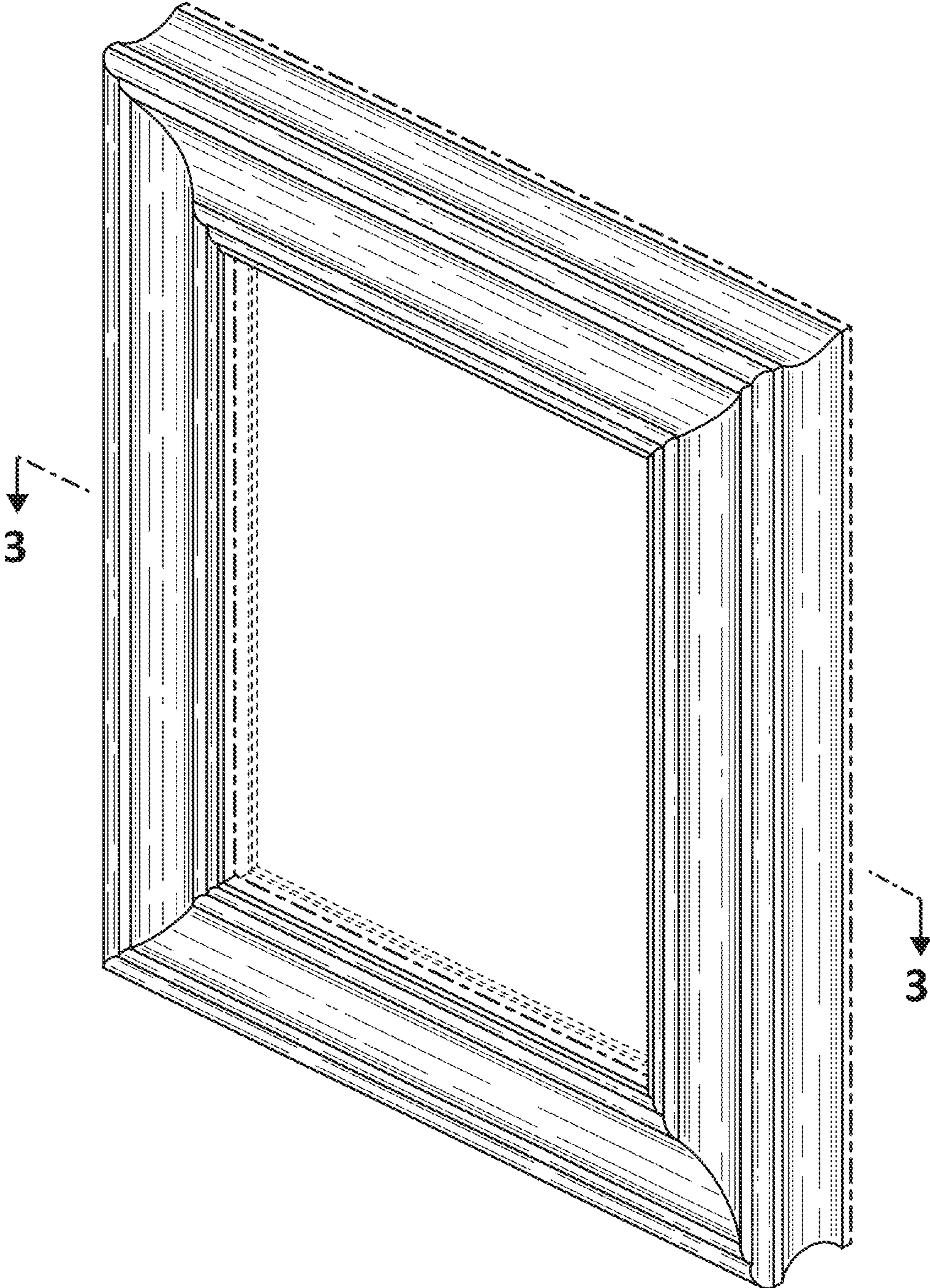


FIG. 1

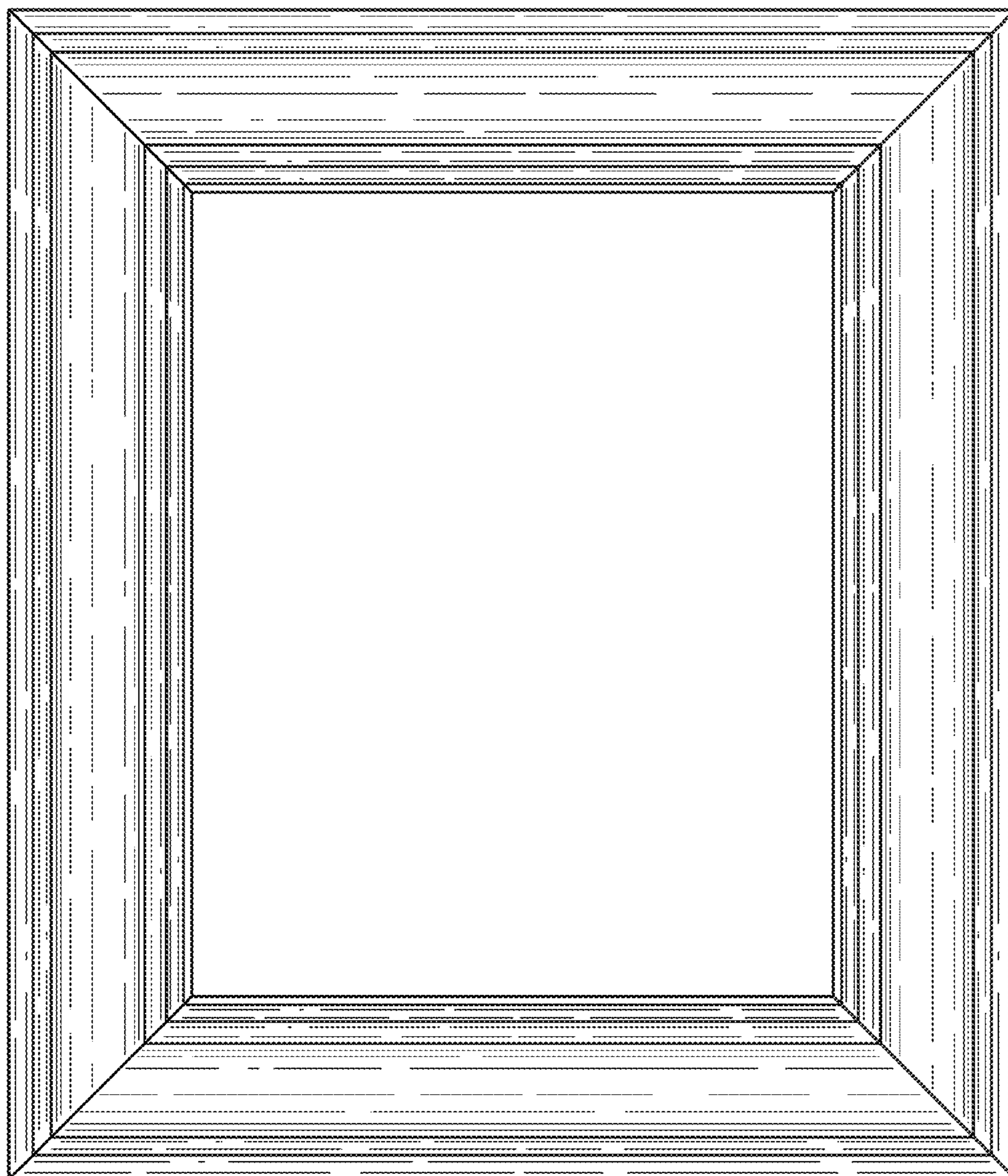


FIG. 2

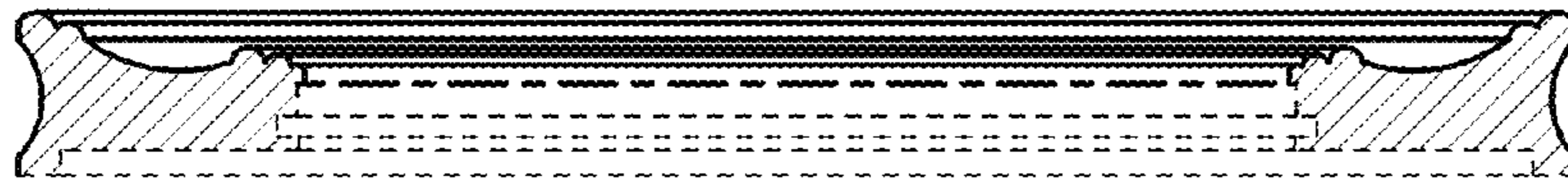


FIG. 3

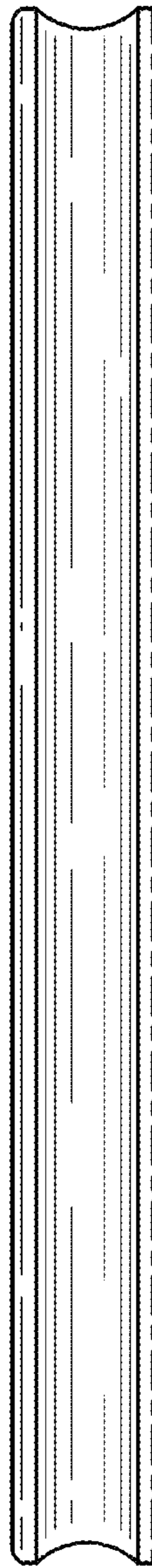


FIG. 4

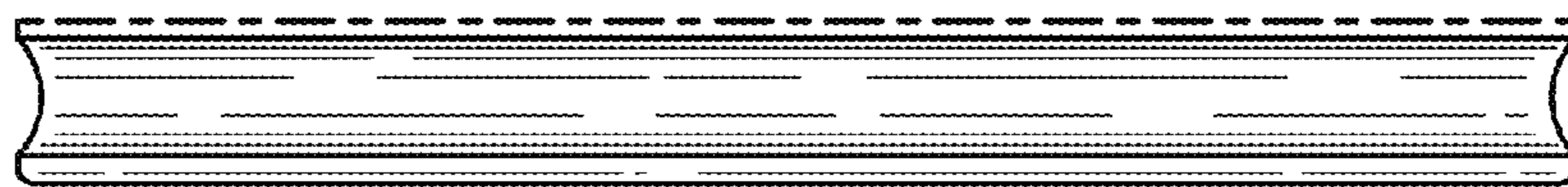


FIG. 5