



US00D719735S

(12) **United States Design Patent**  
**Mitchko**

(10) **Patent No.:** **US D719,735 S**

(45) **Date of Patent:** **\*\* Dec. 23, 2014**

(54) **TOOL ORGANIZER**

(71) Applicant: **Michael Mitchko**, Elizabeth, PA (US)

(72) Inventor: **Michael Mitchko**, Elizabeth, PA (US)

(\*\*) Term: **14 Years**

(21) Appl. No.: **29/446,002**

(22) Filed: **Feb. 19, 2013**

(51) **LOC (10) Cl.** ..... **03-02**

(52) **U.S. Cl.**  
USPC ..... **D3/315**

(58) **Field of Classification Search**  
USPC ..... D3/315-317, 303, 304, 265, 307, 308,  
D3/310, 313; 280/47.35; D11/148;  
211/70.6; 206/216, 373, 581  
See application file for complete search history.

(56) **References Cited**

**U.S. PATENT DOCUMENTS**

3,298,532	A *	1/1967	Wilcke	.....	211/70.6
4,947,998	A *	8/1990	Smeller	.....	211/70.6
5,092,463	A *	3/1992	Dees	.....	206/373
5,350,065	A *	9/1994	Darrey	.....	206/373
5,379,885	A *	1/1995	Chen	.....	206/216
5,390,944	A *	2/1995	Sherwin	.....	280/47.35
5,924,568	A *	7/1999	Zajonc	.....	206/373
6,105,768	A *	8/2000	Brown	.....	206/373
D472,712	S *	4/2003	Sagen	.....	D3/315
D628,386	S *	12/2010	Kohn	.....	D3/313

D663,207	S *	7/2012	Nelson et al.	.....	D9/456
D687,225	S *	8/2013	Baker	.....	D3/313
2008/0179215	A1 *	7/2008	Arvin	.....	206/581

\* cited by examiner

*Primary Examiner* — Ian Simmons

*Assistant Examiner* — Charles Hanson

(74) *Attorney, Agent, or Firm* — Paul D. Bangor, Jr.; Clark Hill PLC

(57) **CLAIM**

The ornamental design for a tool organizer, as shown and described.

**DESCRIPTION**

FIG. 1 is a perspective view of a tool organizer of the present invention.

FIG. 2 a top view of the tool organizer of FIG. 1.

FIG. 3 is a bottom view of the tool organizer of FIG. 1.

FIG. 4 is a front elevational view of the tool organizer of FIG. 1.

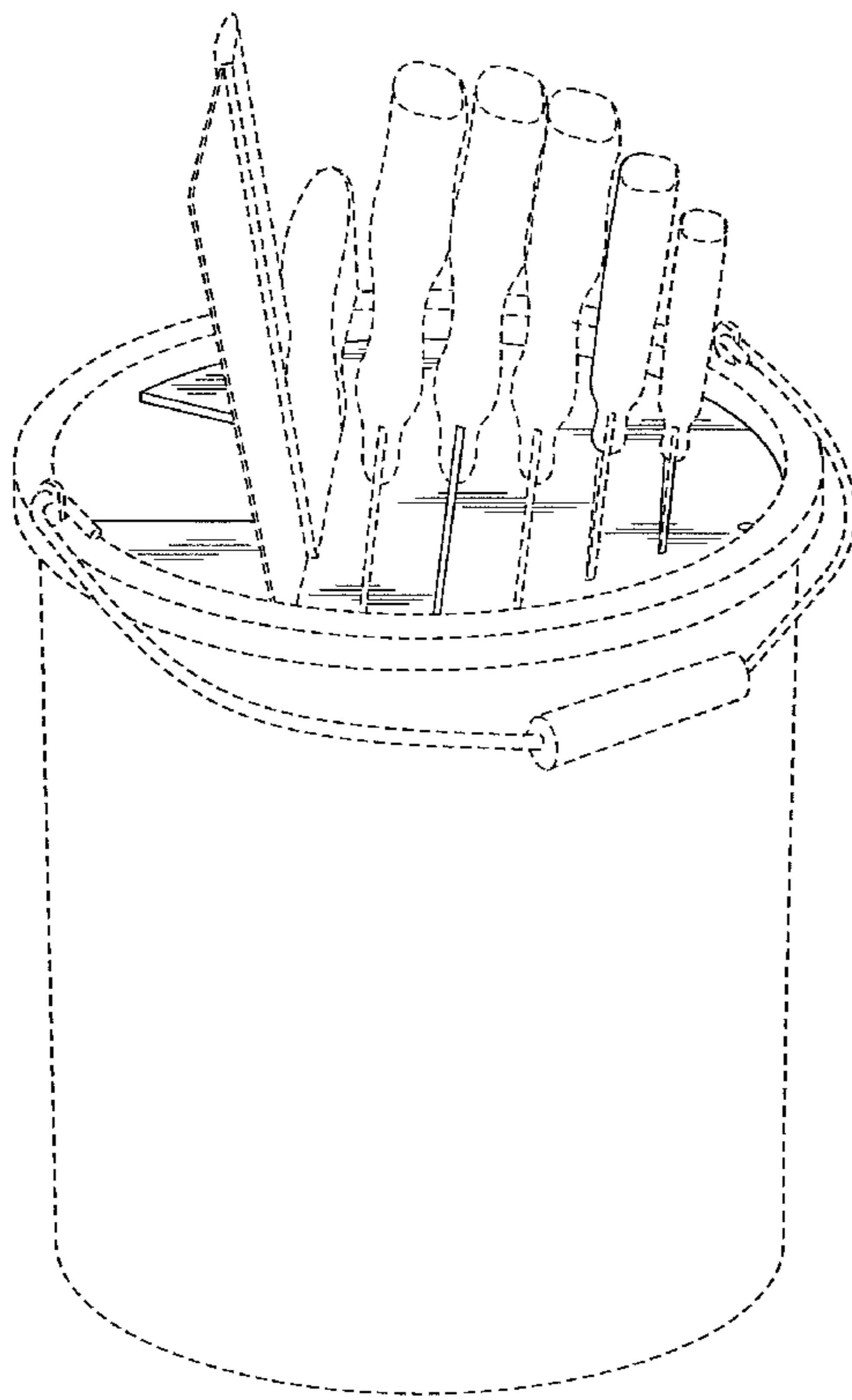
FIG. 5 is a rear elevational view of the tool organizer of FIG. 1.

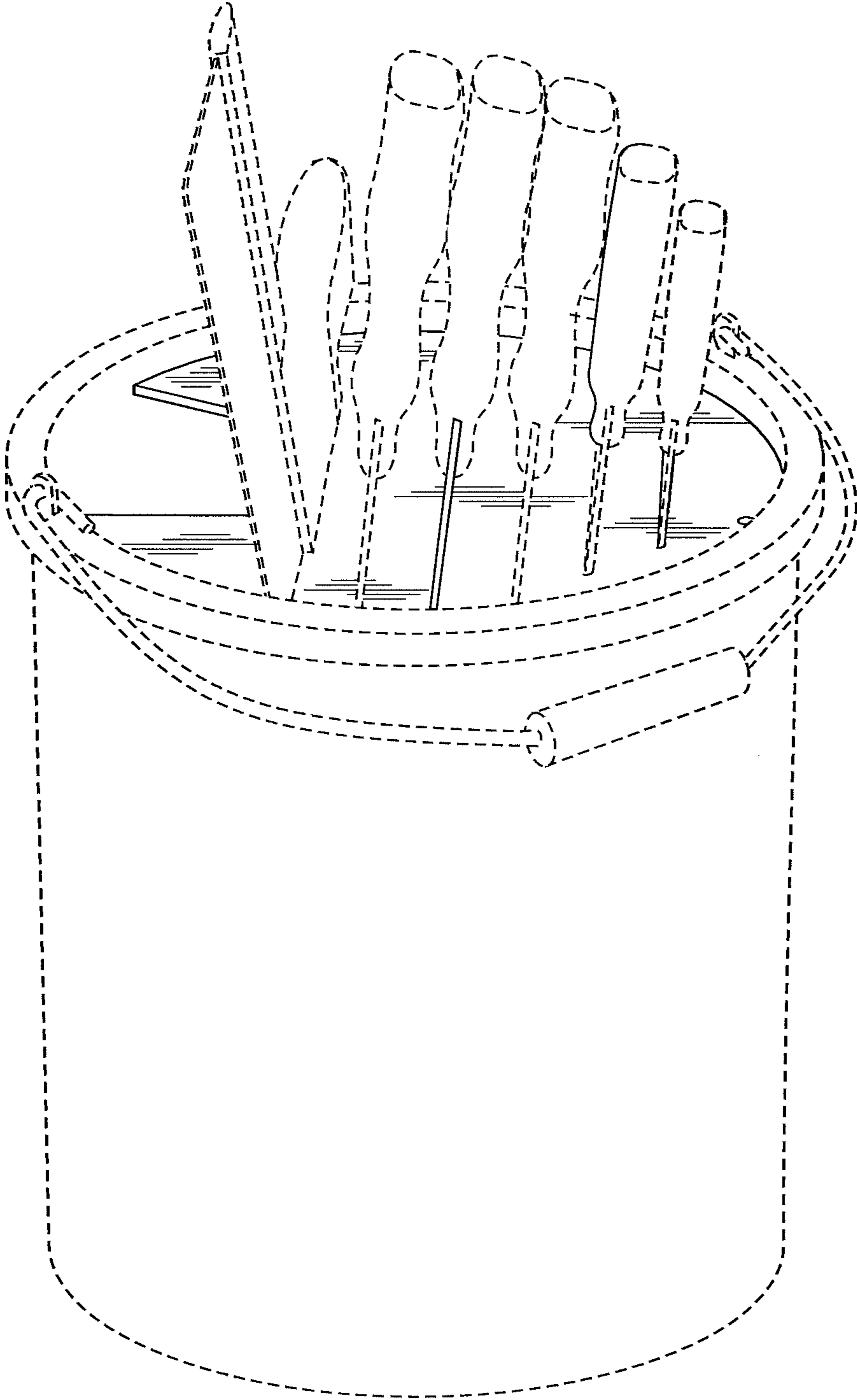
FIG. 6 is a left elevational view of the tool organizer of FIG. 1; and,

FIG. 7 is a right elevational view of the tool organizer of FIG. 1.

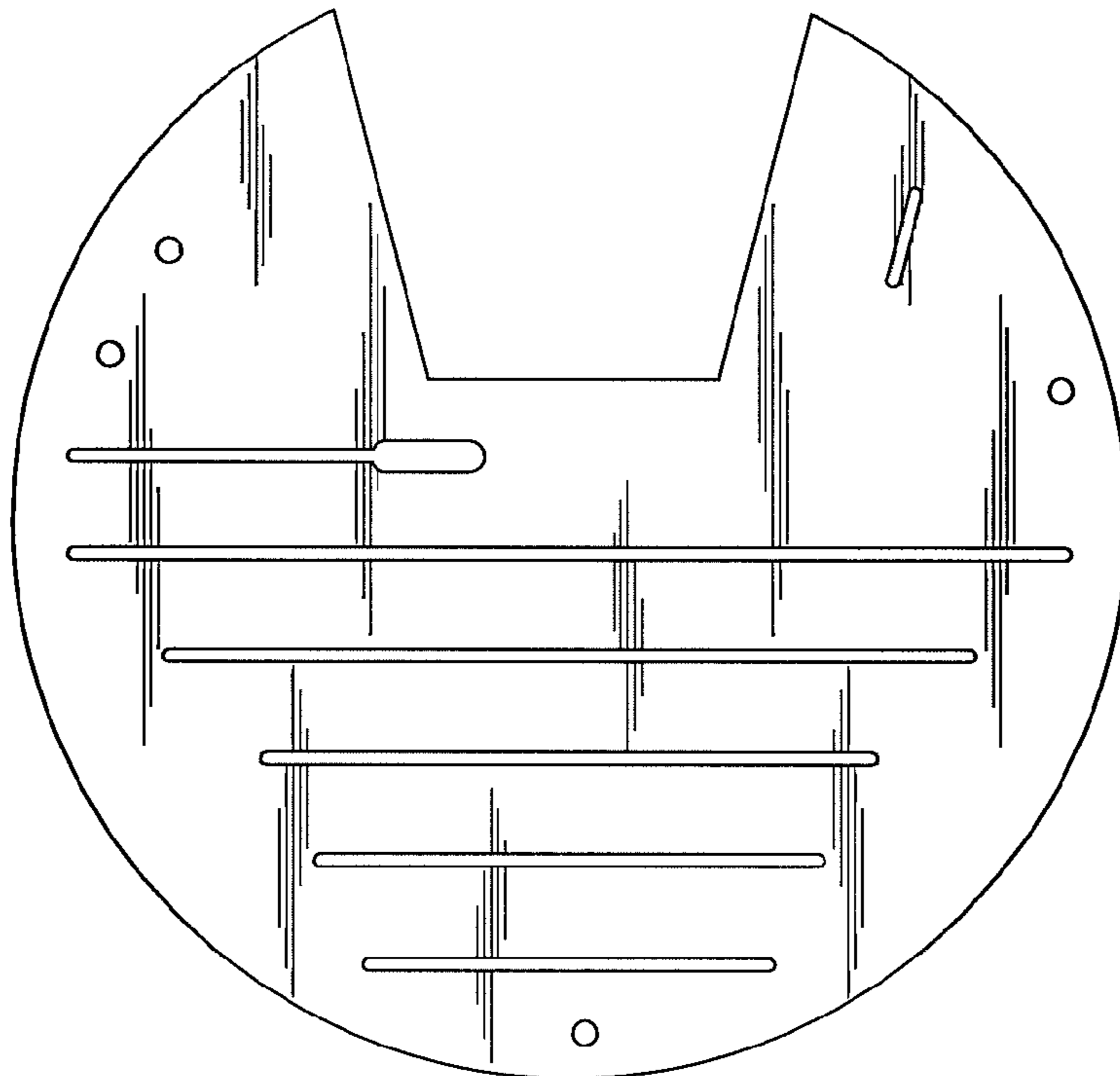
The broken line showing of the tools in FIG. 1 is included for the purpose of illustrating environment and forms no part of the claimed design.

**1 Claim, 3 Drawing Sheets**

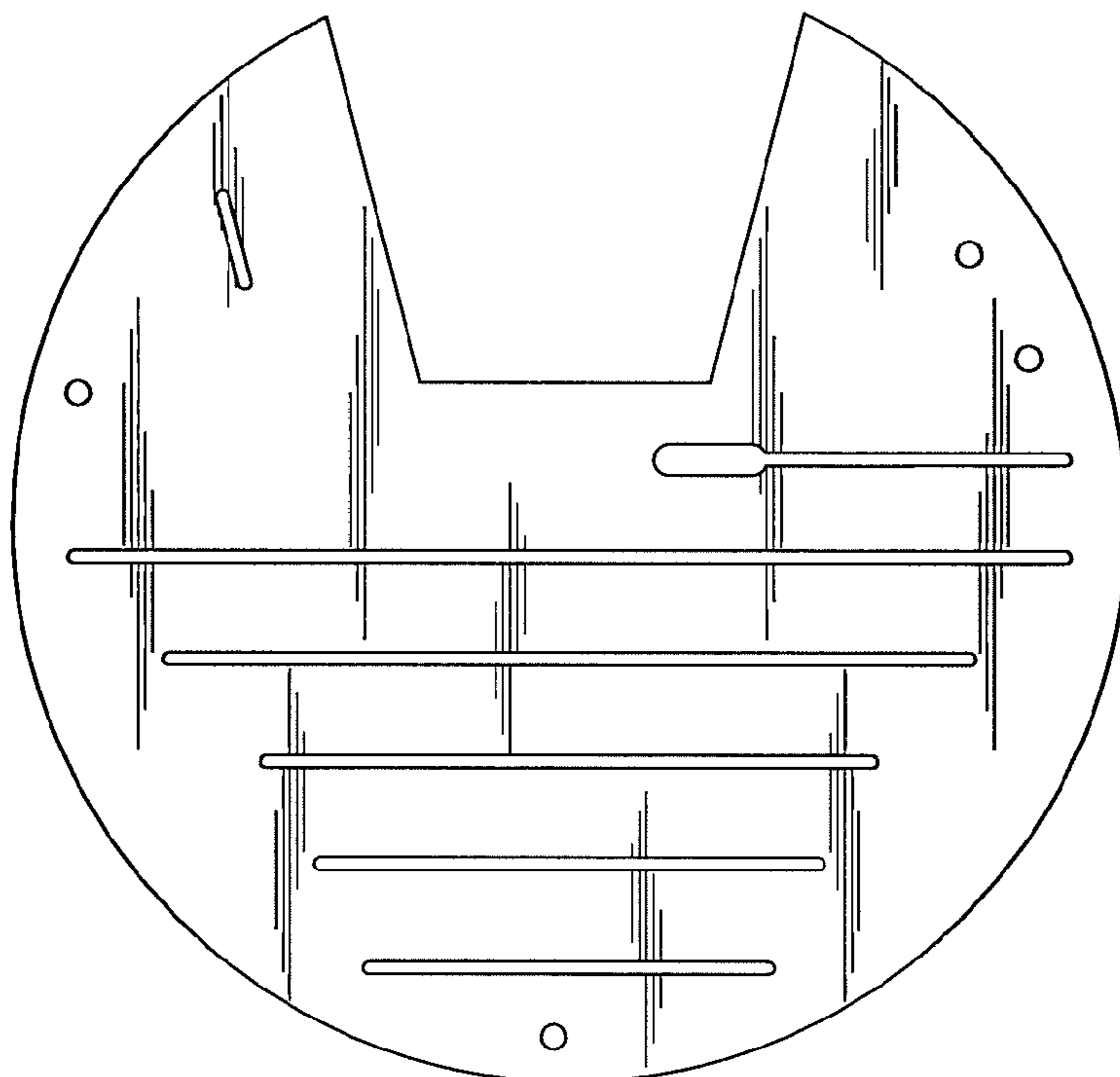




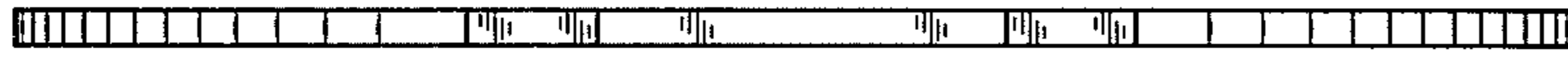
*Fig. 1*



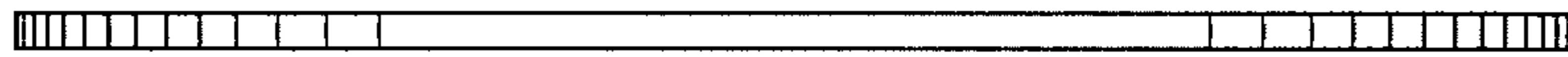
*Fig.2*



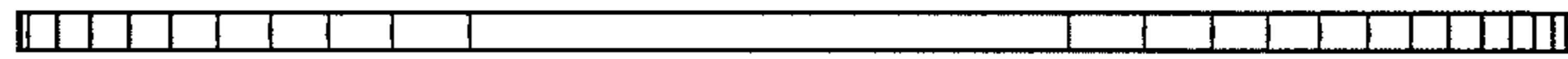
*Fig.3*



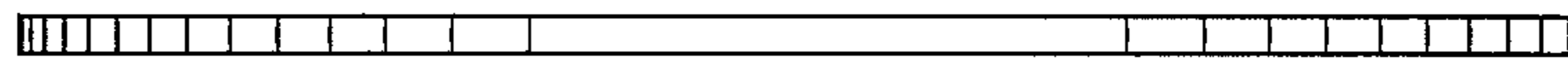
*Fig.4*



*Fig.5*



*Fig.6*



*Fig.7*